

ASPIRE

BY HESTAN

Cabinetry

AEAD / AEPTD16 / AEDR16

AESDR / AETC / AETRC20

Parts List

Hestan Commercial Corporation

3375 E. La Palma Ave

Anaheim, CA 92806

(888) 905-7463

RETAIN THIS FOR FUTURE REFERENCE

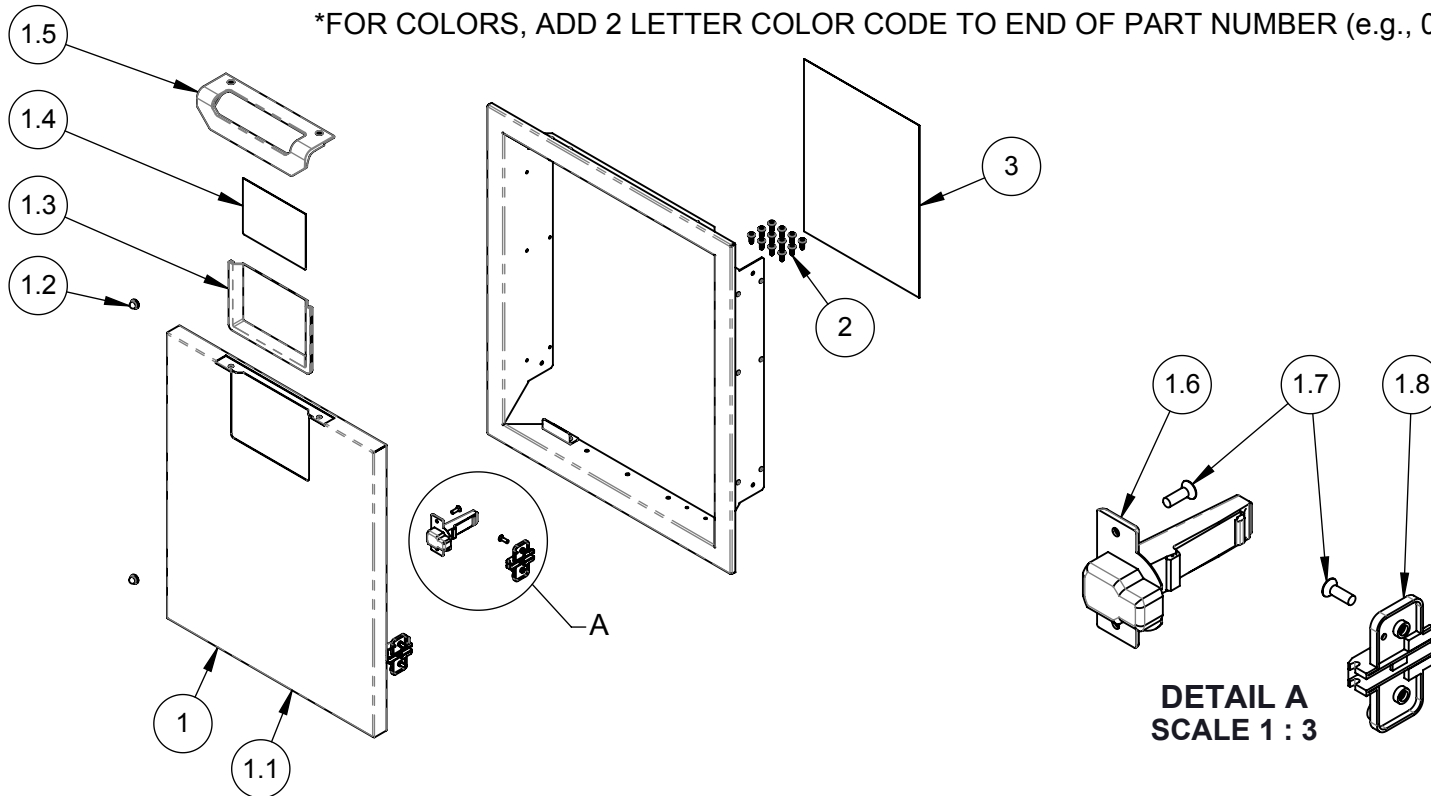
REPLACEMENT PARTS - SINGLE ACCESS DOOR

ASPIRE
BY HESTAN

APPLICABLE MODEL NO.
AEADL18
AEADR18
AEADL24
AEADR24

ITEM	PART NUMBER	DESCRIPTION	AEADL18	AEADR18	AEADL24	AEADR24
			QTY			
1	*017507	DOOR W/ MARQUISE, LH, ASPIRE CABINET, 18 (complete assembly w/ handle & hinges)	1	-	-	-
	*017508	DOOR W/ MARQUISE, LH, ASPIRE CABINET, 24 (complete assembly w/ handle & hinges)	-	-	1	-
	*017501	DOOR W/ MARQUISE, RH, ASPIRE CABINET, 18 (complete assembly w/ handle & hinges)	-	1	-	-
	*017502	DOOR W/ MARQUISE, RH, ASPIRE CABINET, 24 (complete assembly w/ handle & hinges)	-	-	-	1
1.1	017492	SERVICE, DOOR, LH, ASPIRE CABINET, 18 (w/out handle & hinges)	1	-	-	-
	017493	SERVICE, DOOR, LH, ASPIRE CABINET, 24 (w/out handle & hinges)	-	-	1	-
	017486	SERVICE, DOOR, RH, ASPIRE CABINET, 18 (w/out handle & hinges)	-	1	-	-
	017487	SERVICE, DOOR, RH, ASPIRE CABINET, 24 (w/out handle & hinges)	-	-	-	1
1.2	011691	SERVICE, BUMPER, PLASTIC, .50 DIAM. X 0.11 H, PKG 4	1	1	1	1
1.3	002559	INSERT, RECESSED, HANDLE	1	1	1	1
1.4	*002554	INSERT, RIGIDIZED, HANDLE	1	1	1	1
1.5	011760	SERVICE, HANDLE W/SCREWS, CABINET	1	1	1	1
1.6	007869	HINGE, CONCEALED, CLIP-TOP, OVERLAY	2	2	2	2
1.7	007871	SERVICE, MS, 8-32 X .375, PH, FLT, SS, PKG 8	1	1	1	1
1.8	007871	MOUNTING PLATE, CLIP-TOP HINGE, 3H	2	2	2	2
2	010306	KIT, SMS, #10 X .500, PH, PAN, TYPE A, SS, 12 PCS	1	1	1	1
3	014050	MANUAL, INSTALLATION, CABINETS (AEAD, AESDR, AEDR)	1	1	1	1

*FOR COLORS, ADD 2 LETTER COLOR CODE TO END OF PART NUMBER (e.g., 000123-BK)



COLOR CODE	COLOR
BK	Stealth - Black
RD	Matador - Red
OR	Citra - Orange
BU	Prince - Blue

DETAIL A
SCALE 1 : 3

REPLACEMENT PARTS - DOUBLE ACCESS DOORS

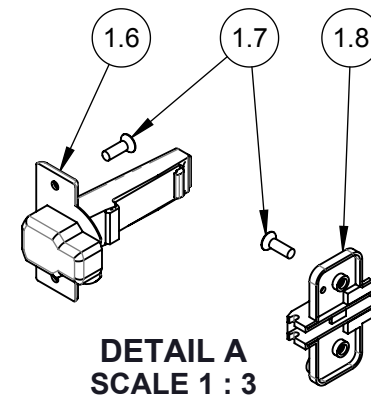
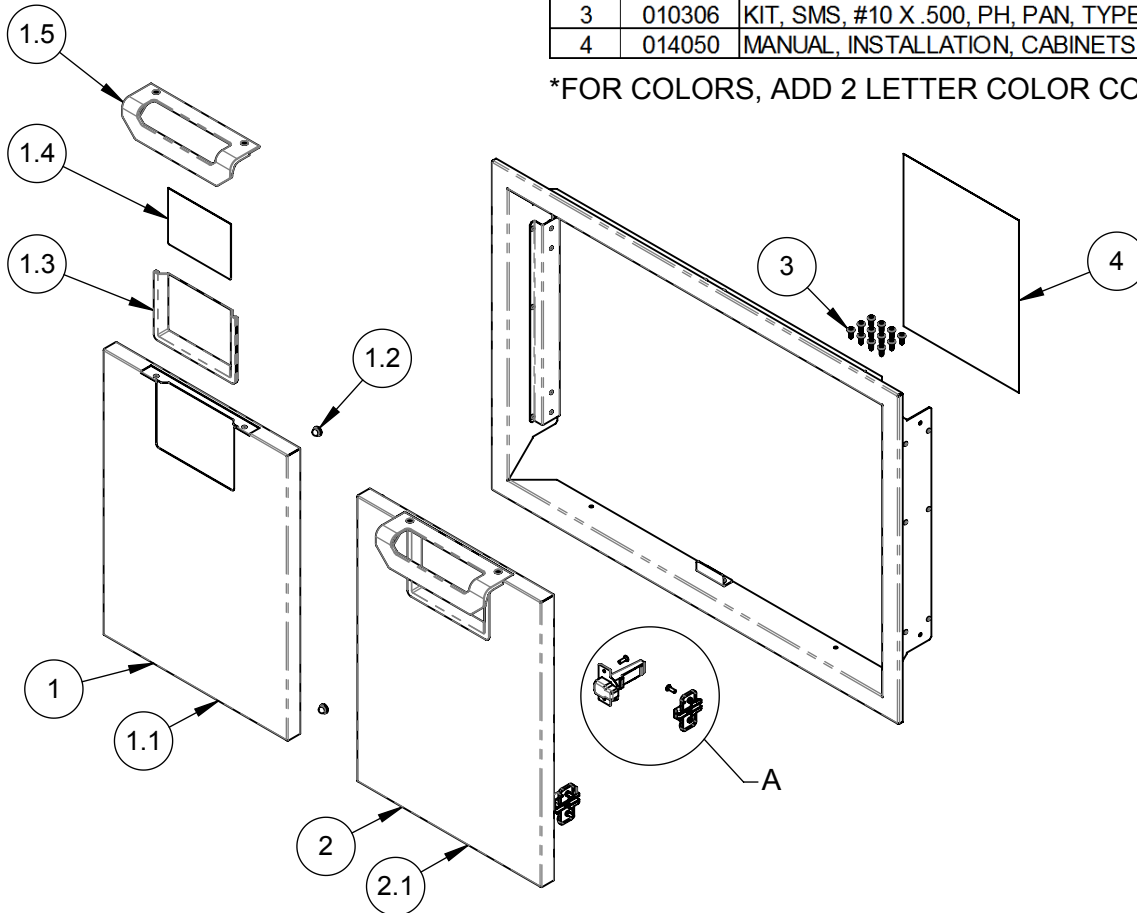
ASPIRE
BY HESTAN

APPLICABLE MODEL NUMBERS	
AEAD30	AEAD36

COLOR CODE	COLOR
BK	Stealth - Black
RD	Matador - Red
OR	Citra - Orange
BU	Prince - Blue

ITEM	PART NUMBER	DESCRIPTION	AEAD30	AEAD36
			QTY	
1	*017509	DOOR W/ MARQUISE, LH, ASPIRE CABINET, 30 (complete assembly w/ handle & hinges)	1	-
	*017510	DOOR W/ MARQUISE, LH, ASPIRE CABINET, 36 (complete assembly w/ handle & hinges)	-	1
1.1	017494	SERVICE, DOOR, LH, ASPIRE CABINET, 30 (w/out handle & hinges)	1	-
	017495	SERVICE, DOOR, LH, ASPIRE CABINET, 36 (w/out handle & hinges)	-	1
1.2	011691	SERVICE, BUMPER, PLASTIC, .50 DIAM. X 0.11 H, PKG 4	1	1
1.3	002559	INSERT, RECESSED, HANDLE	1	1
1.4	*002554	INSERT, RIGIDIZED, HANDLE	1	1
1.5	011760	SERVICE, HANDLE W/SCREWS, CABINET	1	1
1.6	007869	HINGE, CONCEALED, CLIP-TOP, OVERLAY	2	2
1.7	007871	SERVICE, MS, 8-32 X .375, PH, FLT, SS, PKG 8	1	1
1.8	007871	MOUNTING PLATE, CLIP-TOP HINGE, 3H	2	2
2	*017503	DOOR W/ MARQUISE, RH, ASPIRE CABINET, 30 (complete assembly w/ handle & hinges)	1	-
	*017504	DOOR W/ MARQUISE, RH, ASPIRE CABINET, 36 (complete assembly w/ handle & hinges)	-	1
2.1	017488	SERVICE, DOOR, RH, ASPIRE CABINET, 30 (w/out handle & hinges)	1	-
	017489	SERVICE, DOOR, RH, ASPIRE CABINET, 36 (w/out handle & hinges)	-	1
3	010306	KIT, SMS, #10 X .500, PH, PAN, TYPE A, SS, 12 PCS	1	1
4	014050	MANUAL, INSTALLATION, CABINETS (AEAD, AESDR, AEDR)	1	1

*FOR COLORS, ADD 2 LETTER COLOR CODE TO END OF PART NUMBER (e.g., 000123-BK)



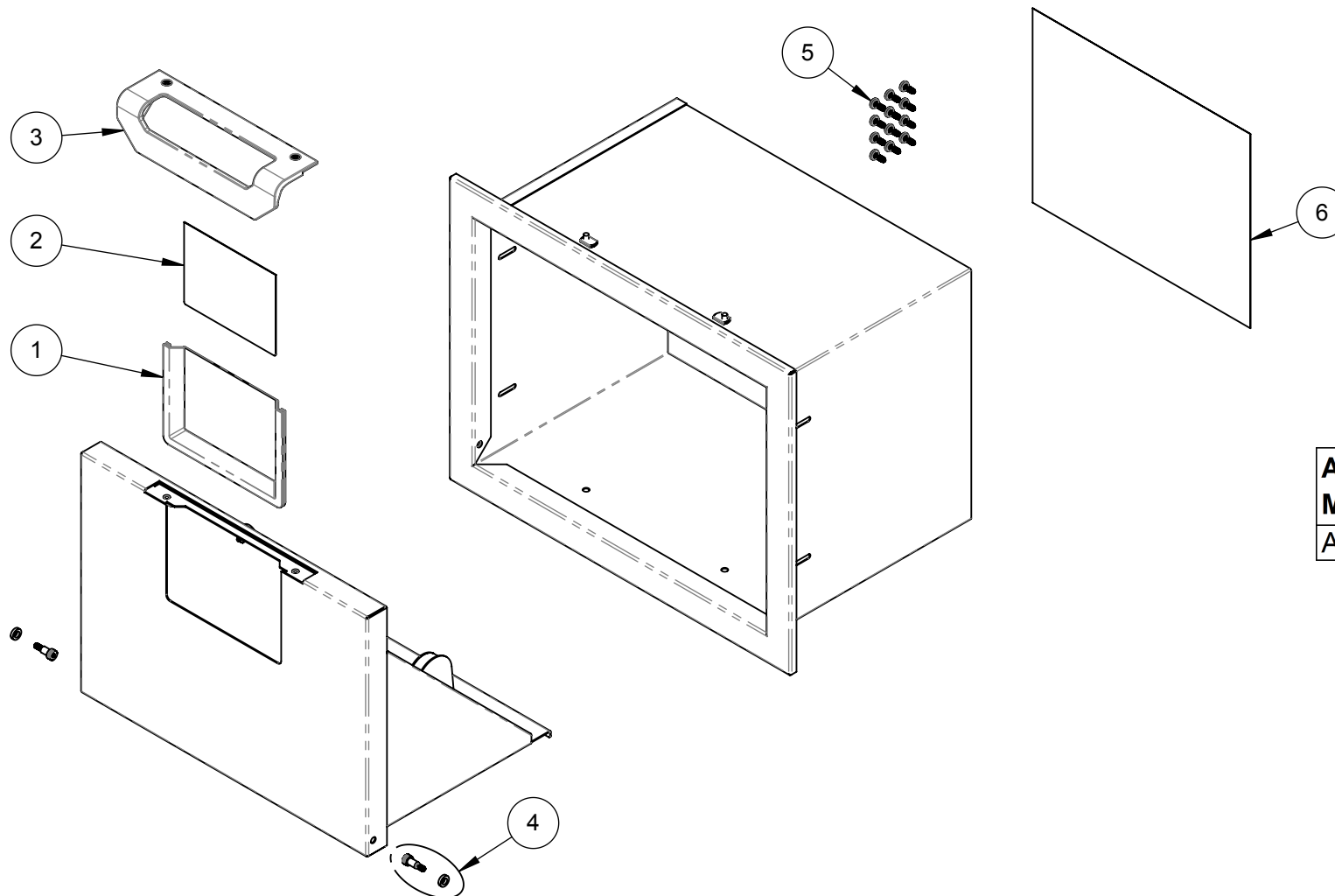
REPLACEMENT PARTS - 16" PAPER TOWEL DISPENSER

ASPIRE
BY HESTAN

ITEM	PART NO.	DESCRIPTION	QTY
1	002559	INSERT, RECESSED, HANDLE	1
2	*002554	INSERT, RIGIDIZED, HANDLE	1
3	011760	SERVICE, HANDLE W/SCREWS, CABINET	1
4	017521	SERVICE, PAPER TOWEL DISPENSER, HINGE KIT (2 PAIRS)	1
5	010306	KIT, SMS, #10 X .500, PH, PAN, TYPE A, SS, 12 PCS	1
6	015094	MANUAL, INSTALLATION, PAPER TOWEL DISPENSER, ASPIRE	1

*FOR COLORS, ADD 2 LETTER COLOR CODE TO END OF PART NUMBER (e.g., 000123-BK)

COLOR CODE	COLOR
BK	Stealth - Black
RD	Matador - Red
OR	Citra - Orange
BU	Prince - Blue



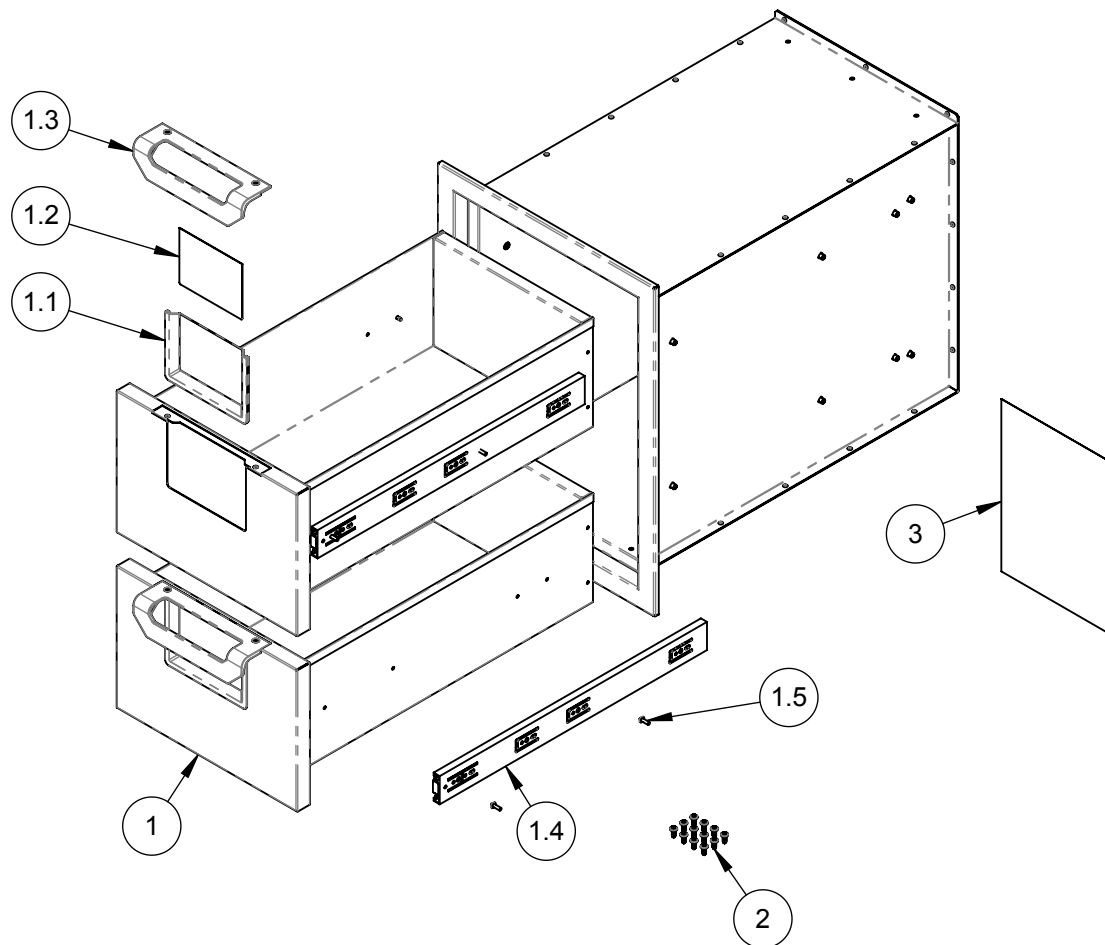
APPLICABLE
MODEL NO.
AEPTD16

REPLACEMENT PARTS - 16" DOUBLE DRAWERS

ASPIRE
BY HESTAN

ITEM	PART NO.	DESCRIPTION	QTY
1	*017512	DRAWER W/ MARQUISE, ASPIRE CABINET, 16 (complete assembly w/ handle & slides)	2
1.1	002559	INSERT, RECESSED, HANDLE	1
1.2	*002554	INSERT, RIGIDIZED, HANDLE	1
1.3	011760	SERVICE, HANDLE W/SCREWS, CABINET	1
1.4	015838	SLIDES, FULL-EXT., 20, KING (pair)	1
1.5	011710	SERVICE, MS, 8-32 X .50, PH, PAN, SS, PKG 12	1
2	010306	KIT, SMS, #10 X .500, PH, PAN, TYPE A, SS, 12 PCS	1
3	014050	MANUAL, INSTALLATION, CABINETS (Aead, AESDR, AEDR)	1

*FOR COLORS, ADD 2 LETTER COLOR CODE TO END OF PART NUMBER (e.g., 000123-BK)



COLOR CODE	COLOR
BK	Stealth - Black
RD	Matador - Red
OR	Citra - Orange
BU	Prince - Blue

APPLICABLE MODEL NO.
AEDR16

REPLACEMENT PARTS - DOUBLE DRAWER AND STORAGE DOOR

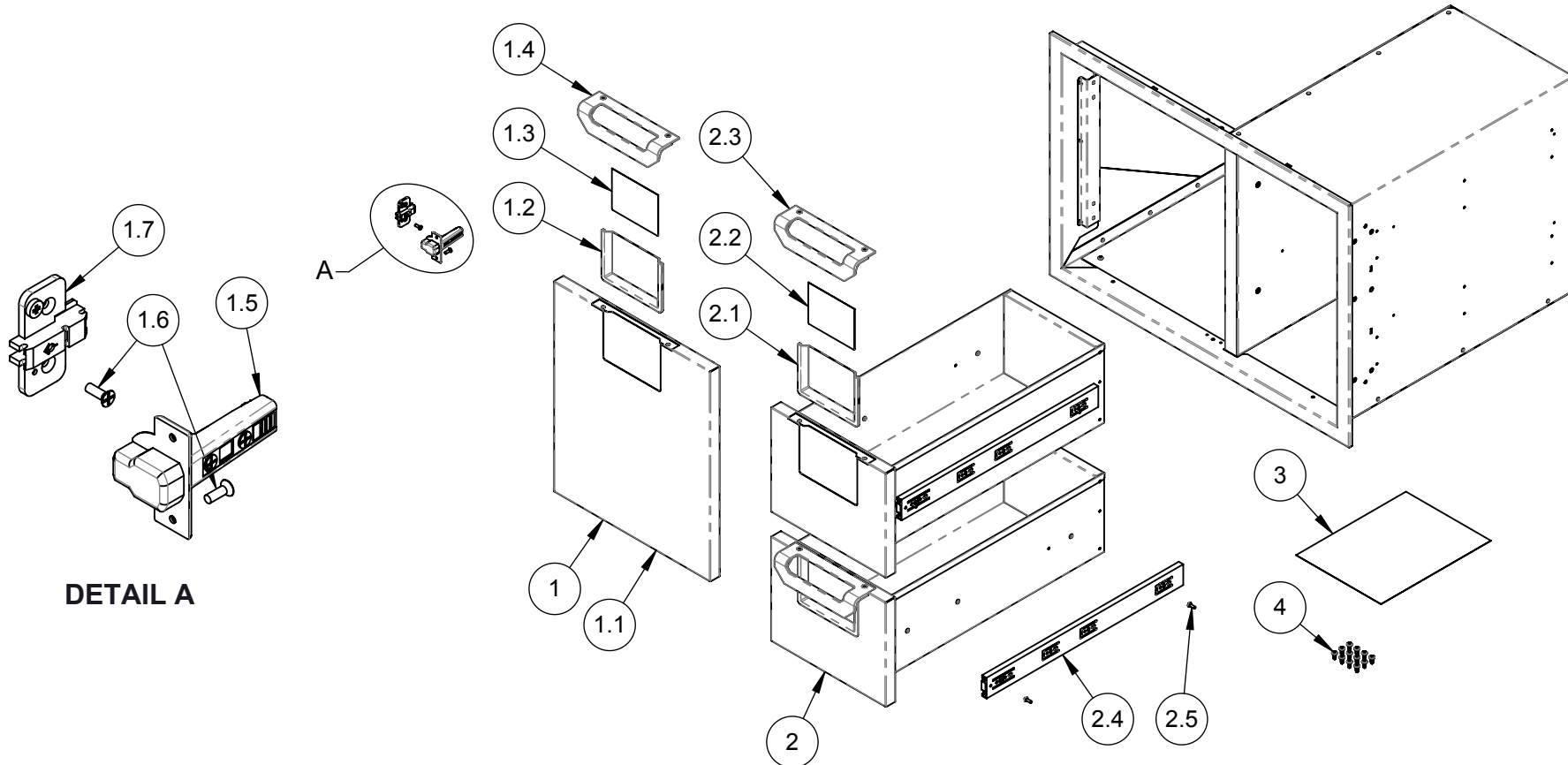
ASPIRE
BY HESTAN

ITEM	PART NO.	DESCRIPTION	AESDR30	AESDR36
			QTY	
1	*017509	DOOR W/ MARQUISE, LH, ASPIRE CABINET, 30 (complete assembly w/ handle & hinges)	1	-
	*017510	DOOR W/ MARQUISE, LH, ASPIRE CABINET, 36 (complete assembly w/ handle & hinges)	-	1
1.1	017494	SERVICE, DOOR, LH, ASPIRE CABINET, 30 (w/out handle & hinges)	1	-
	017495	SERVICE, DOOR, LH, ASPIRE CABINET, 36 (w/out handle & hinges)	-	1
1.2	002559	INSERT, RECESSED, HANDLE	1	1
1.3	*002554	INSERT, RIGIDIZED, HANDLE	1	1
1.4	011760	SERVICE, HANDLE W/SCREWS, CABINET	1	1
1.5	007869	HINGE, CONCEALED, CLIP-TOP, OVERLAY	2	2
1.6	007871	SERVICE, MS, 8-32 X .375, PH, FLT, SS, PKG 8	1	1
1.7	007871	MOUNTING PLATE, CLIP-TOP HINGE, 3H	2	2
2	*017513	DRAWER W/ MARQUISE, ASPIRE CABINET, 30 (complete assembly w/ handle & slides)	2	-
	*017514	DRAWER W/ MARQUISE, ASPIRE CABINET, 36 (complete assembly w/ handle & slides)	-	2
2.1	002559	INSERT, RECESSED, HANDLE	1	1
2.2	*002554	INSERT, RIGIDIZED, HANDLE	1	1
2.3	011760	SERVICE, HANDLE W/SCREWS, CABINET	1	1
2.4	015838	SLIDES, FULL-EXT., 20, KING (pair)	1	1
2.5	011710	SERVICE, MS, 8-32 X .50, PH, PAN, SS, PKG 12	1	1
3	010306	KIT, SMS, #10 X .500, PH, PAN, TYPE A, SS, 12 PCS	1	1
4	014050	MANUAL, INSTALLATION, CABINETS (AEAD, AESDR, AEDR)	1	1

COLOR CODE	COLOR
BK	Stealth - Black
RD	Matador - Red
OR	Citra - Orange
BU	Prince - Blue

APPLICABLE MODEL NO.
AESDR30
AESDR36

*FOR COLORS, ADD 2 LETTER COLOR CODE TO END OF PART NUMBER (e.g., 000123-BK)



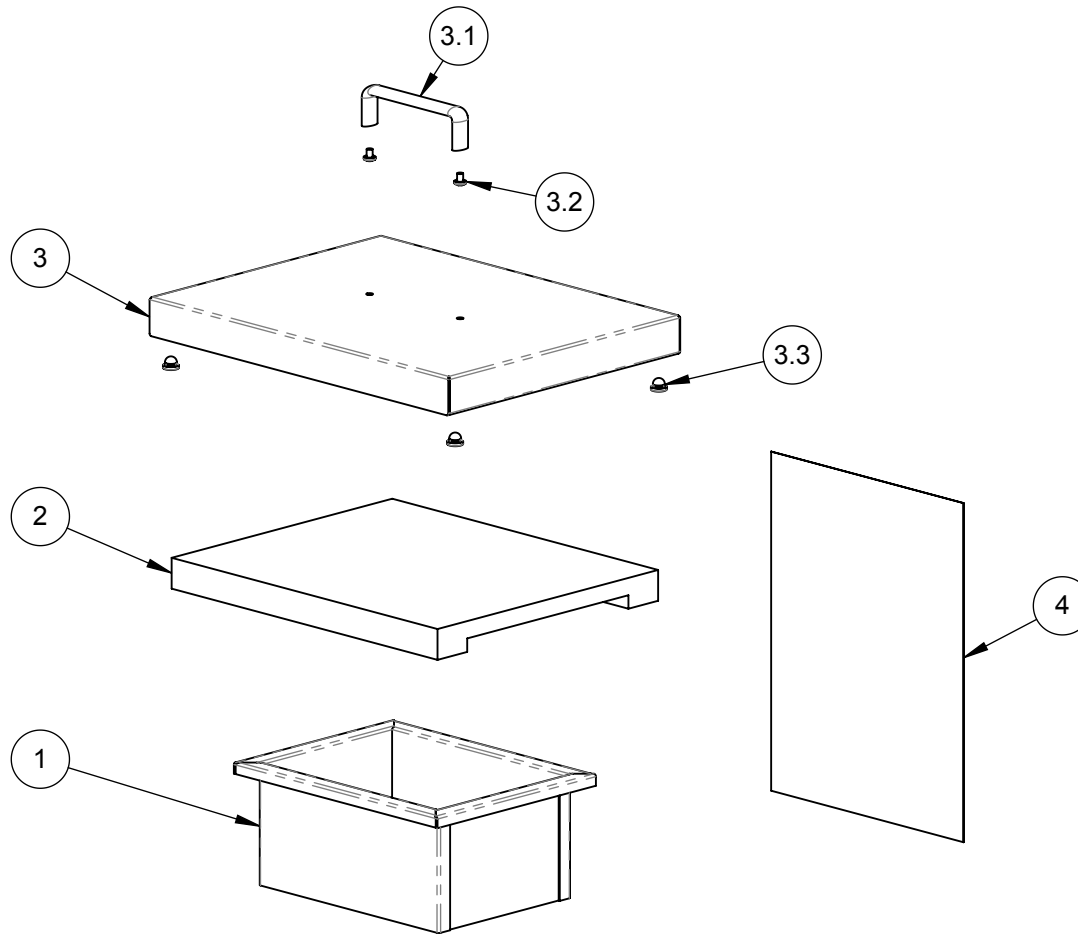
DETAIL A

REPLACEMENT PARTS - TRASH CHUTE

ASPIRE
BY HESTAN

ITEM	PART NO.	DESCRIPTION	QTY
1	011410	CHUTE, TRASH, WA	1
2	011440	BOARD, CUTTING, PLASTIC, TRASH CHUTE	1
3	014569	ASSY., LID, TRASH CHUTE, ASPIRE (complete assembly w/ handle & bumpers)	1
3.1	000840	HANDLE, OVAL	1
3.2	017420	SERVICE, MS, 10-32 X .25, PH, PAN, SS, PKG 2	1
3.3	011691	SERVICE, BUMPER, PLASTIC, .50 DIAM X 0.11 H, PKG 4	1
4	014074	MANUAL, INSTALLATION, CABINETS (AETRC, AETC)	1

APPLICABLE
MODEL NO.
AETC



REPLACEMENT PARTS - 20" TRASH CENTER STORAGE DRAWER

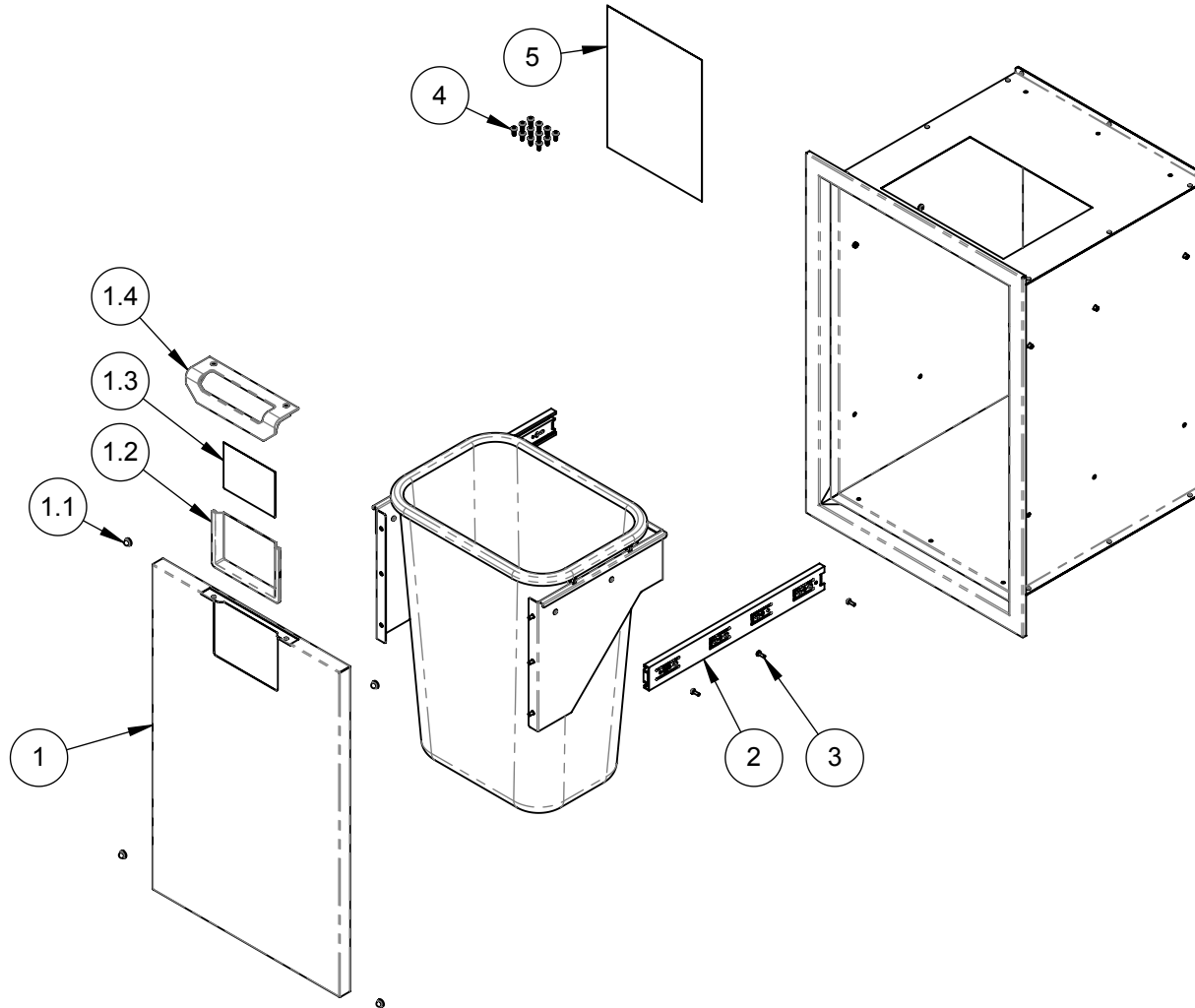
ASPIRE
BY HESTAN

ITEM	PART NO.	DESCRIPTION	QTY
1	*017512	DOOR W/ MARQUISE, ASPIRE TRASH CENTER (complete assembly w/ handle)	1
1.1	011691	SERVICE, BUMPER, PLASTIC, .50 DIAM. X 0.11 H, PKG 4	1
1.2	002559	INSERT, RECESSED, HANDLE	1
1.3	*002554	INSERT, RIGIDIZED, HANDLE	1
1.4	011760	SERVICE, HANDLE W/SCREWS, CABINET	1
2	012845	SLIDES, PAIR, FULL EXTENSION, 16, KING (pair)	1
3	011710	SERVICE, MS, 8-32 X .50, PH, PAN, SS, PKG 12	1
4	010306	KIT, SMS, #10 X .500, PH, PAN, TYPE A, SS, 12 PCS	1
5	014074	MANUAL, INSTALLATION, CABINETS (AETRC, AETC)	1

*FOR COLORS, ADD 2 LETTER COLOR CODE TO END OF PART NUMBER (e.g., 000123-BK)

COLOR CODE	COLOR
BK	Stealth - Black
RD	Matador - Red
OR	Citra - Orange
BU	Prince - Blue

APPLICABLE
MODEL NO.
AETRC20



ASPIRE

BY HESTAN

Hestan Commercial Corporation
3375 E. La Palma Ave
Anaheim, CA 92806
(888) 905-7463

RETAIN THIS FOR FUTURE REFERENCE