



**Deluxe Grill**  
GABRXXCX/GSBRXXCX/GMBRXXCX  
Parts List

Hestan Commercial Corporation  
3375 E. La Palma Ave.  
Anaheim, CA 92806  
(888) 905-7463  
RETAIN THIS FOR FUTURE REFERENCE

# REPLACEMENT PARTS - HESTAN OUTDOOR DELUXE GRILLS



All warranty and non-warranty repairs should be performed by qualified service personnel. To locate an authorized service agent, contact your Hestan dealer, local representative, or the manufacturer. Before you call, please have the model number and serial number information ready.

Hestan Commercial Corp.  
(888) 905-7463

ITEM	DESCRIPTION	DESCRIPTION
A1	SERVICE, MANIFOLD, GAS ASSY., GRILL	SEE SUB-ASSEMBLY FOR PARTS BREAKDOWN
A2	SERVICE, ASSY., ROTISS MOTOR, GRILL	SEE SUB-ASSEMBLY FOR PARTS BREAKDOWN
A3	SERVICE, ASSY., CANOPY, GRILL	SEE SUB-ASSEMBLY FOR PARTS BREAKDOWN
A4	SERVICE, ASSY., CONTROL PANEL, GRILL	SEE SUB-ASSEMBLY FOR PARTS BREAKDOWN
A5	SERVICE, ASSY., LID, GRILL	SEE SUB-ASSEMBLY FOR PARTS BREAKDOWN
A6	SERVICE, ASSY., ROTISS BURNER, GRILL	SEE SUB-ASSEMBLY FOR PARTS BREAKDOWN
A7	SERVICE, ASSY., DRIP PAN, GRILL	SEE SUB-ASSEMBLY FOR PARTS BREAKDOWN
A8	SERVICE, ASSY., ELECTRICAL BOX ASSY., OUTDOOR GRILL	SEE SUB-ASSEMBLY FOR PARTS BREAKDOWN
A9	SERVICE, ORIFICE CHART, OUTDOOR GRILL	SEE SUB-ASSEMBLY FOR PARTS BREAKDOWN
A10	SERVICE, ORIFICE CHART, OUTDOOR SIDE BURNER	SEE SUB-ASSEMBLY FOR PARTS BREAKDOWN
A11	SERVICE, ASSY., PANEL, CONTROL, SIDE BURNER, DOUBLE	SEE SUB-ASSEMBLY FOR PARTS BREAKDOWN
A12	SERVICE, ASSY., GAS MANIFOLD, SIDE BURNER, DOUBLE	SEE SUB-ASSEMBLY FOR PARTS BREAKDOWN
A13	SERVICE, ASSY., ELECTRICAL BOX, OUTDOOR SIDE BURNER	SEE SUB-ASSEMBLY FOR PARTS BREAKDOWN
A14	SERVICE, ASSY., BURNER, DUAL STACKED, LARGE	SEE SUB-ASSEMBLY FOR PARTS BREAKDOWN
A15	SERVICE, ASSY., BURNER, DUAL STACKED, SMALL	SEE SUB-ASSEMBLY FOR PARTS BREAKDOWN

ITEM	PART NUMBER	DESCRIPTION	QTY.																	
			GABR30CX	GMBR30CX	GGBR30CX	GABR30CX2	GMBR30CX2	GGBR30CX2	GABR36CX	GMBR36CX	GGBR36CX	GABR36CX2	GMBR36CX2	GGBR36CX2	GABR42CX	GMBR42CX	GGBR42CX	GABR42CX2	GMBR42CX2	GGBR42CX2
1	007690	CHAIN, ROLLER, ANSI #25, GRILL	1	1	1	1	1	1	1	1	1	1	1	1	1	1	1	1	1	1
2	007692	MASTER LINK, ANSI #25 CHAIN	1	1	1	1	1	1	1	1	1	1	1	1	1	1	1	1	1	1
3	007715	STOP, LID, GRILL	2	2	2	2	2	2	2	2	2	2	2	2	2	2	2	2	2	2
4	010197	SERVICE, BUMPER, RUBBER, .50 DIAM. X .250 H, PKG 4	1	1	1	1	1	1	1	1	1	1	1	1	1	1	1	1	1	1
5	008302	COVER, REAR, GRILL, 30	1	1	1	1	1	1	-	-	-	-	-	-	-	-	-	-	-	-
6	006197	COVER, REAR, GRILL, 36	-	-	-	-	-	-	1	1	1	1	1	1	-	-	-	-	-	-
7	008536	COVER, REAR, GRILL, 42	-	-	-	-	-	-	-	-	-	-	-	1	1	1	1	1	1	1
8	008916	COUNTERBALANCE HINGE ASSY., LH, GRILL, 30	1	1	1	1	1	1	-	-	-	-	-	-	-	-	-	-	-	-
9	008920	COUNTERBALANCE HINGE ASSY., RH, GRILL, 30	1	1	1	1	1	1	-	-	-	-	-	-	-	-	-	-	-	-
10	008918	COUNTERBALANCE HINGE ASSY., LH, GRILL, 36	-	-	-	-	-	-	1	1	1	1	1	1	-	-	-	-	-	-
11	008922	COUNTERBALANCE HINGE ASSY., RH, GRILL, 36	-	-	-	-	-	-	1	1	1	1	1	1	-	-	-	-	-	-
12	008919	COUNTERBALANCE HINGE ASSY., LH, GRILL, 42	-	-	-	-	-	-	-	-	-	-	-	1	1	1	1	1	1	1
13	008923	COUNTERBALANCE HINGE ASSY., RH, GRILL, 42	-	-	-	-	-	-	-	-	-	-	-	1	1	1	1	1	1	1
14	008200	PIVOT ARM ASSY., LH, COUNTERBALANCE HINGE, GRILL	1	1	1	1	1	1	1	1	1	1	1	1	1	1	1	1	1	1
15	008202	PIVOT ARM ASSY., RH, COUNTERBALANCE HINGE, GRILL	1	1	1	1	1	1	1	1	1	1	1	1	1	1	1	1	1	1
16	007584	COVER, STAMPED, LH, PIVOT ARM	1	1	1	1	1	1	1	1	1	1	1	1	1	1	1	1	1	1
17	007585	COVER, STAMPED, RH, PIVOT ARM	1	1	1	1	1	1	1	1	1	1	1	1	1	1	1	1	1	1
18	006096	IGNITER, HOT SURFACE, BURNER	2	2	2	2	2	2	3	3	3	3	3	3	4	4	4	4	4	4
19	005896	BURNER, TRELIS, GRILL	2	-	1	2	-	1	3	-	1	3	-	1	4	-	1	4	-	1
20	007674	SHROUD, IGNITER, GRILL, WA	2	-	1	2	-	1	3	-	2	3	-	2	4	-	3	4	-	3

ITEM	PART NUMBER	DESCRIPTION																		
			GABR30CX	GMBR30CX	GSBR30CX	GABR30CX2	GMBR30CX2	GSBR30CX2	GABR36CX	GMBR36CX	GSBR36CX	GABR36CX2	GMBR36CX2	GSBR36CX2	GABR42CX	GMBR42CX	GSBR42CX	GABR42CX2	GMBR42CX2	GSBR42CX2
21	006328	ASSY., BRIQUETTE TRAY, GRILL, 30	2	-	1	2	-	1	-	-	-	-	-	-	-	-	-	-	-	-
22	005959	ASSY., BRIQUETTE TRAY, GRILL, 36	-	-	-	-	-	-	3	-	2	3	-	2	-	-	-	-	-	-
23	008939	ASSY., BRIQUETTE TRAY, GRILL, 42	-	-	-	-	-	-	-	-	-	-	-	4	-	3	4	-	3	-
24	006516	GRATE, STD, GRILL, 30	2	2	2	2	2	2	-	-	-	-	-	-	-	-	-	-	-	-
25	007335	GRATE, STD, GRILL, 36	-	-	-	-	-	-	3	3	3	3	3	3	-	-	-	-	-	-
26	008887	GRATE, STD, GRILL, 42	-	-	-	-	-	-	-	-	-	-	-	4	4	4	4	4	4	4
27	007500	ASSY., SEAR BURNER (includes screen)	-	2	1	-	2	1	-	3	1	-	3	1	-	4	1	-	4	1
27.1	007627	SCREEN, SEAR BURNER, GRILL	-	2	1	-	2	1	-	3	1	-	3	1	-	4	1	-	4	1
28	008689	WARMING RACK, GRILL, 30	1	1	1	1	1	1	-	-	-	-	-	-	-	-	-	-	-	-
29	006858	WARMING RACK, GRILL, 36	-	-	-	-	-	-	1	1	1	1	1	1	-	-	-	-	-	-
30.1	008688	WARMING RACK, GRILL, 42 (FOR EARLY 42" GRILLS)	-	-	-	-	-	-	-	-	-	-	-	1	1	1	1	1	1	1
30.2	014082	WARMING RACK, SPLIT, GRILL, 42 (FOR LATER 42" GRILLS)																		
31	006253-030	SPIT, ROTISSERIE, 30	1	1	1	1	1	1	-	-	-	-	-	-	-	-	-	-	-	-
32	006253-036	SPIT, ROTISSERIE, 36	-	-	-	-	-	-	1	1	1	1	1	1	-	-	-	-	-	-
33	006253-042	SPIT, ROTISSERIE, 42	-	-	-	-	-	-	-	-	-	-	-	1	1	1	1	1	1	1
34	007648	PAN, DRIP, ACCESSORY, GRILL	1	1	1	1	1	1	1	1	1	1	1	1	1	1	1	1	1	1
35	008206	SMOKER BOX SET	1	1	1	1	1	1	1	1	1	1	1	1	1	1	1	1	1	1
36	006951	FORK, ROTISSERIE	2	2	2	2	2	2	2	2	2	2	2	2	2	2	2	2	2	2
37	008623	HARNESS, WIRE, LIGHT & IGNITION, GRILL, 30	1	1	1	1	1	1	-	-	-	-	-	-	-	-	-	-	-	-
38	008622	HARNESS, WIRE, LIGHT & IGNITION, GRILL, 36	-	-	-	-	-	-	1	1	1	1	1	1	-	-	-	-	-	-
39	008607	HARNESS, WIRE, LIGHT & IGNITION, GRILL, 42	-	-	-	-	-	-	-	-	-	-	-	1	1	1	1	1	1	1
40	007455	KNOB ASSY., BURNER, GRILL	3	3	3	3	3	3	4	4	4	4	4	4	5	5	5	5	5	5
41	008980	MANUAL, USE & CARE, OUTDOOR GRILL	1	1	1	1	1	1	1	1	1	1	1	1	1	1	1	1	1	1
42	017823	SERVICE, NUT, KEPS, 1/4-20, ZN, PKG 4	1	1	1	1	1	1	1	1	1	1	1	1	1	1	1	1	1	1
43	017830	SERVICE, MS, 8-32 X .375, PH, FLT, UC, SS, PKG 2	1	1	1	1	1	1	1	1	1	1	1	1	1	1	1	1	1	1
44	010236	SERVICE, MS, 10-24 X 3/8, PH, PAN, SS, PKG 12	2	2	2	2	2	2	2	2	2	2	2	2	2	2	2	2	2	2
45	010237	SERVICE, MS, 10-24 X 1/4, HEXHD, SS, PKG 6	1	1	1	1	1	1	1	1	1	1	1	1	1	1	1	1	1	1
46	010222	SERVICE, MS, 8-32 X .375, TORX, PAN, SS, PKG 10	1	1	1	1	1	1	1	1	1	1	1	1	1	1	1	1	1	1
47	010238	SERVICE, SHCS, 1/4-20 X .375, SS, PKG 6	1	1	1	1	1	1	1	1	1	1	1	1	1	1	1	1	1	1
48	011717	SERVICE, HB, 1/4-20 X .500, SS, PKG 4	1	1	1	1	1	1	1	1	1	1	1	1	1	1	1	1	1	1
49	010240	SERVICE, NUT, LCK, EXPANDING, 1/4-20, SS, PKG 8	1	1	1	1	1	1	1	1	1	1	1	1	1	1	1	1	1	1
50	010237	SERVICE, MS, 10-24 X 1/4, HEXHD, SS, PKG 6	1	1	1	1	1	1	1	1	1	1	1	1	1	1	1	1	1	1
51	006239	REGULATOR, STRAIGHT-THRU, 1/2"NPT, (FOR NG)	1	1	1	1	1	1	1	1	1	1	1	1	1	1	1	1	1	1
52	006256	REGULATOR, 2-STAGE, LP TANK X 3/8 NPT(F) OUTLET (FOR LP)	1	1	1	1	1	1	1	1	1	1	1	1	1	1	1	1	1	1
53	008053	ADAPTER, 3/8 FLARE X 1/2 NPT FEMALE (FOR LP)	1	1	1	1	1	1	1	1	1	1	1	1	1	1	1	1	1	1
54.1	006871	CHIN, DRIP PAN, SIDE BURNER						1					1						1	
54.2	008443	DRIP PAN, SIDE BURNER, WA						1					1						1	
55	011714	SERVICE, WSH, FLAT, 1/4 SAE, SS, PKG 4						1					1						1	
56	010240	SERVICE, NUT, LCK, EXPANDING, 1/4-20, SS, PKG 8						1					1						1	
57	007716	KNOB ASSY., SIDE BURNER, GRILL						2					2						2	

ITEM	PART NUMBER	DESCRIPTION	GABR30CX	GMBR30CX	GSBR30CX	GABR30CX2	GMBR30CX2	GSBR30CX2	GABR36CX	GMBR36CX	GSBR36CX	GABR36CX2	GMBR36CX2	GSBR36CX2	GABR42CX	GMBR42CX	GSBR42CX	GABR42CX2	GMBR42CX2	GSBR42CX2	
58	011708	SERVICE, MS, 8-32 X .25, PH, PAN, SS, PKG 12	-	-	-	1	-	-	-	-	-	1	-	-	-	-	-	-	1	-	-
59	007679	LED LIGHT BAR, SIDE BURNER	-	-	-	1	-	-	-	-	-	1	-	-	-	-	-	-	1	-	-
60	014076	CLAMP, WORM-DRIVE, .313-.625 ID RANGE, SS	-	-	-	1	-	-	-	-	-	1	-	-	-	-	-	-	1	-	-
61.1	009809	DRAIN TUBE, SIDE BURNER, HESTAN (for older units with drip pan)	-	-	-	1	-	-	-	-	-	1	-	-	-	-	-	-	1	-	-
61.2	015016	DRAIN TUBE, SIDE BURNER (for newer units without drip pan)	-	-	-	1	-	-	-	-	-	1	-	-	-	-	-	-	1	-	-
62	009103	HARNESS, WIRE, SIDE BURNER, DOUBLE	-	-	-	1	-	-	-	-	-	1	-	-	-	-	-	-	1	-	-
63	024032	SERVICE, ASSY., COVER, SIDE BURNER, DOUBLE	-	-	-	1	-	-	-	-	-	1	-	-	-	-	-	-	1	-	-
63.1	011691	SERVICE, BUMPER, PLASTIC, .50 DIAM X 0.11 H, PKG 4	-	-	-	1	-	-	-	-	-	1	-	-	-	-	-	-	1	-	-
64	008067	GRATE, SIDE BURNER, DOUBLE, WA	-	-	-	1	-	-	-	-	-	1	-	-	-	-	-	-	1	-	-
64.1	021396	SERVICE, BUMPER, RUBBER, 9mm DIAM. X 3mm H, PKG 4	-	-	-	1	-	-	-	-	-	1	-	-	-	-	-	-	1	-	-
65	010030	GROMMET, SERRATED, .037 - .071" RANGE, NYLON, 5.5"	-	-	-	1	-	-	-	-	-	1	-	-	-	-	-	-	1	-	-
66	008981	MANUAL, USE & CARE, OUTDOOR SIDE BURNER	-	-	-	1	-	-	-	-	-	1	-	-	-	-	-	-	1	-	-
67	008666-045	ORIFICE, SIDE BURNER, NG, #45	-	-	-	1	-	-	-	-	-	1	-	-	-	-	-	-	1	-	-
	008665-056	ORIFICE, SIDE BURNER, LP, #56	-	-	-	1	-	-	-	-	-	1	-	-	-	-	-	-	1	-	-
68	008666-065	ORIFICE, SIDE BURNER, NG, #65	-	-	-	1	-	-	-	-	-	1	-	-	-	-	-	-	1	-	-
	008665-075	ORIFICE, SIDE BURNER, LP, #75	-	-	-	1	-	-	-	-	-	1	-	-	-	-	-	-	1	-	-
69	008666-054	ORIFICE, SIDE BURNER, NG, #54	-	-	-	1	-	-	-	-	-	1	-	-	-	-	-	-	1	-	-
	008665-065	ORIFICE, SIDE BURNER, LP, #65	-	-	-	1	-	-	-	-	-	1	-	-	-	-	-	-	1	-	-
70	008675-067	ORIFICE, SIDE BURNER, NG, #67	-	-	-	1	-	-	-	-	-	1	-	-	-	-	-	-	1	-	-
	008675-076	ORIFICE, SIDE BURNER, LP, #76	-	-	-	1	-	-	-	-	-	1	-	-	-	-	-	-	1	-	-
71	009281	TEE, FEMALE, 1/2 X 1/2 X 1/2 NPT	-	-	-	1	-	-	-	-	-	1	-	-	-	-	-	-	1	-	-
72	002934	ADAPTER, STRAIGHT, 1/2 NPT X 3/8" CC	-	-	-	1	-	-	-	-	-	1	-	-	-	-	-	-	1	-	-
73	005876	HOSE, FLEX, 3/8 OD, 48", F-F, NUT/FERRULE	-	-	-	1	-	-	-	-	-	1	-	-	-	-	-	-	1	-	-
74	009280	ADAPTER, STRAIGHT, 1/2 FNPT X 3/8" CC	-	-	-	1	-	-	-	-	-	1	-	-	-	-	-	-	1	-	-
75	009277	NIPPLE, 1/2 NPT X 3", BLACK STEEL	-	-	-	1	-	-	-	-	-	1	-	-	-	-	-	-	1	-	-
76	012241	SERVICE, LID, DELUXE CART, WA, 30	-	-	-	1	-	-	-	-	-	-	-	-	-	-	-	-	-	-	-
	012242	SERVICE, LID, DELUXE CART, WA, 36	-	-	-	-	-	-	-	-	-	1	-	-	-	-	-	-	-	-	-
	012243	SERVICE, LID, DELUXE CART, WA, 42	-	-	-	-	-	-	-	-	-	-	-	-	-	-	-	-	1	-	-
76.1	012246	SERVICE, MS, 8-32 X 3/8, PH, FLT, UC, SS, PKG 8	-	-	-	1	-	-	-	-	1	-	-	-	-	-	-	1	-	-	
76.2	002558	HANDLE, CABINET	-	-	-	1	-	-	-	-	1	-	-	-	-	-	-	1	-	-	-
76.3	011692	SERVICE, MS, 10-24 X 3/8, PH, FLT, SS, PKG 4	-	-	-	1	-	-	-	-	1	-	-	-	-	-	-	1	-	-	
76.4	012252	SERVICE, MS, 10-24 X .750, PH, TRUSS, SS, PKG 2	-	-	-	1	-	-	-	-	1	-	-	-	-	-	-	1	-	-	-
76.5	012253	SERVICE, WSH, FLAT, #10 (.438 X .203 X .094), NYLON, PKG 4	-	-	-	1	-	-	-	-	1	-	-	-	-	-	-	1	-	-	-
77	011708	SERVICE, MS, 8-32 X .25, PH, PAN, SS, PKG 12	-	-	-	1	-	-	-	-	1	-	-	-	-	-	-	1	-	-	-
78	012255	SERVICE, ASSY., DRAWER, DELUXE	-	-	-	1	-	-	-	-	1	-	-	-	-	-	-	1	-	-	-
79	009197	SLIDES, FULL-EXT., 20, SOFT-CLOSE (pair)	-	-	-	1	-	-	-	-	1	-	-	-	-	-	-	1	-	-	-
80	007530	SIDE SHELF, GRILL, WA	-	-	-	1	-	-	-	-	1	-	-	-	-	-	-	1	-	-	-
80.1	010197	SERVICE, BUMPER, RUBBER, .50 DIAM. X .250 H, PKG 4	-	-	-	1	-	-	-	-	1	-	-	-	-	-	-	1	-	-	-
81	009157	ASSY., BRACKET A, SIDE SHELF	-	-	-	1	-	-	-	-	1	-	-	-	-	-	-	1	-	-	-
82	010569	ASSY., BRACKET B, REAR, SIDE SHELF	-	-	-	1	-	-	-	-	1	-	-	-	-	-	-	1	-	-	-

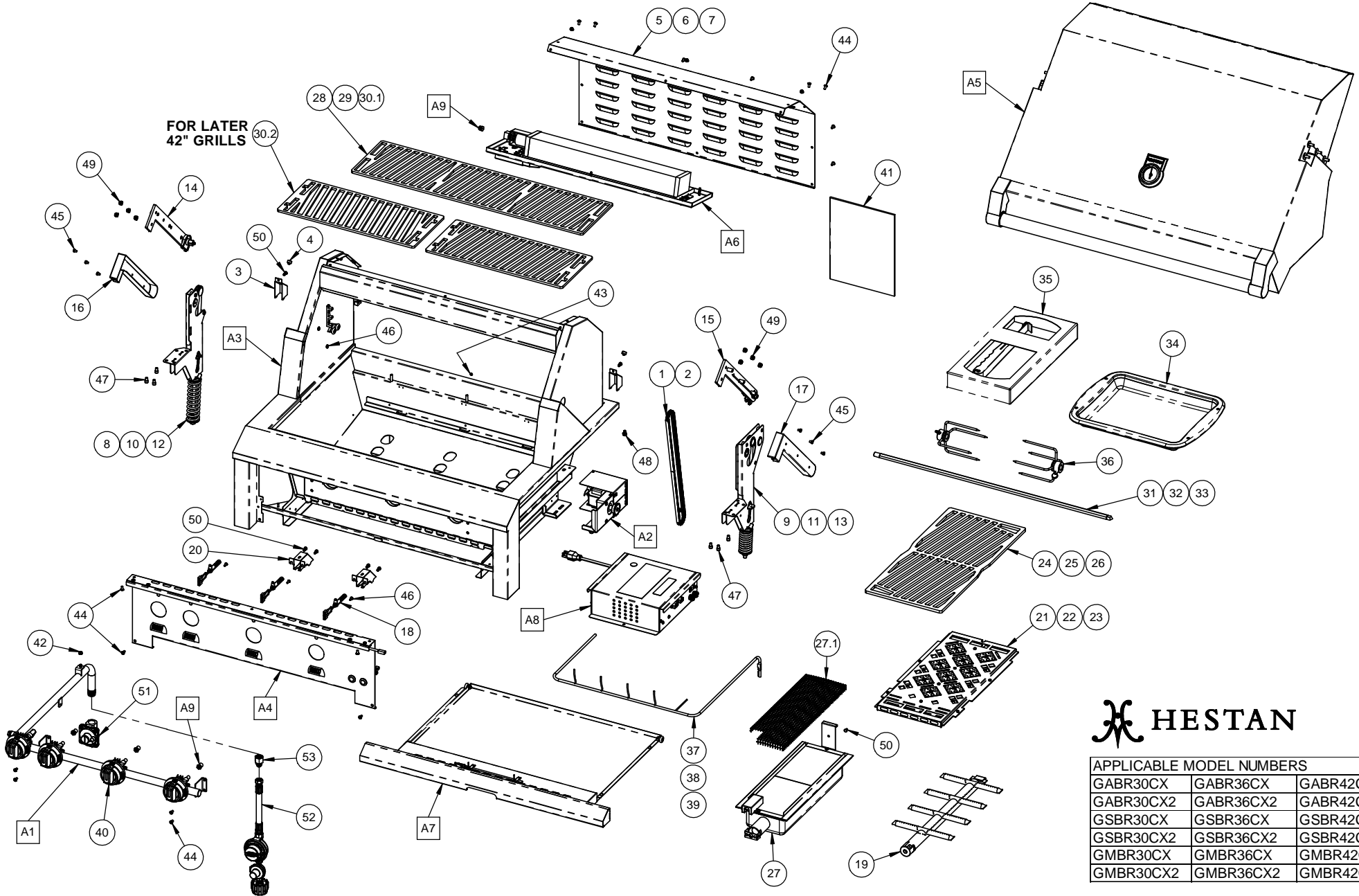
ITEM	PART NUMBER	DESCRIPTION																			
			GABR30CX	GMBR30CX	GSBR30CX	GABR30CX2	GMBR30CX2	GSBR30CX2	GABR36CX	GMBR36CX	GSBR36CX	GABR36CX2	GMBR36CX2	GSBR36CX2	GABR42CX	GMBR42CX	GSBR42CX	GABR42CX2	GMBR42CX2	GSBR42CX2	
83	010205	PLUG, ROUND, 1.750 DIA. MOUNT, STEEL																			1
84	012257	SERVICE, MAGNETIC CATCH & SCREWS																			2
85	007129	WHEEL, 10 DIA X 1.5 WIDTH, 1/2" BORE																			2
86	004461	HB, 1/2-13 X 3.25, PARTIALLY THREADED, ZN																			2
87	011852	SERVICE, SMS, #8-32 X 3/8, PH, PAN, TYPE F, SS, PKG 4																			2
88	007662	COVER, WHEEL ACCESS, DELUXE CART																			2
89	011853	SERVICE, NUT, LCK, SERRATED FLANGE, 1/4-20, SS, PKG 4																			2
90	007854	CASTER, SWIVEL, 3", W/ BRAKE																			2
91	008139	ASSY., TRAY, LP TANK, STD CART																			1
91.1	017382	SERVICE, SMS, TEK, #8 X 1/2", PH, PAN, SS, PKG 6																			1
91.2	010674	EYEBOLT, 1/4-20 X 3.5" SHANK, ZN																			1
91.3	011710	SERVICE, MS, 8-32 X .50, PH, PAN, SS, PKG 12																			1
91.4	011711	SERVICE, NUT, KEPS, #8-32, SS, PKG 6																			1
92	006261-030	ACCESS PANEL, REAR, GRILL, 30																			-
	006261-036	ACCESS PANEL, REAR, GRILL, 36																			1
	006261-042	ACCESS PANEL, REAR, GRILL, 42																			-
93	011856	SERVICE, MS, 10-24 X .250, PH, TRUSS, SS, PKG 6																			1
94	008967	DOOR, LH, DELUXE CART, WA, 42																			-
95	008813	DOOR, RH, DELUXE CART, WA, 30																			1
	008964	DOOR, RH, DELUXE CART, WA, 36																			-
	008965	DOOR, RH, DELUXE CART, WA, 42																			1
96	011857	SERVICE, MS, 8-32 X .375, PH, PAN, SS, PKG 6																			1
97	000463	ENDCAP, HANDLE, LH, SM																			1
98	007147	HANDLE, SIDE, DELUXE CART																			1
99	000704	ENDCAP, HANDLE, RH, SM																			1
100	*009391	ASSY, DRAWER, DELUXE WORKTOP, WA																			1

COLOR CODE	COLOR
BK	STEALTH - BLACK
WH	FROTH - WHITE
RD	METADOR - RED
YW	SOL - YELLOW
OR	CITRA - ORANGE
BG	TIN ROOF - BURGUNDY
PP	LUSH - PURPLE
BU	PRINCE - BLUE
GR	GROVE - GREEN
GG	PACIFIC FOG - DARK GRAY
TQ	BORA BORA - TURQUOISE



\*FOR COLORS, ADD 2 LETTER COLOR CODE TO END OF PART NUMBER (e.g., 000123-BK)

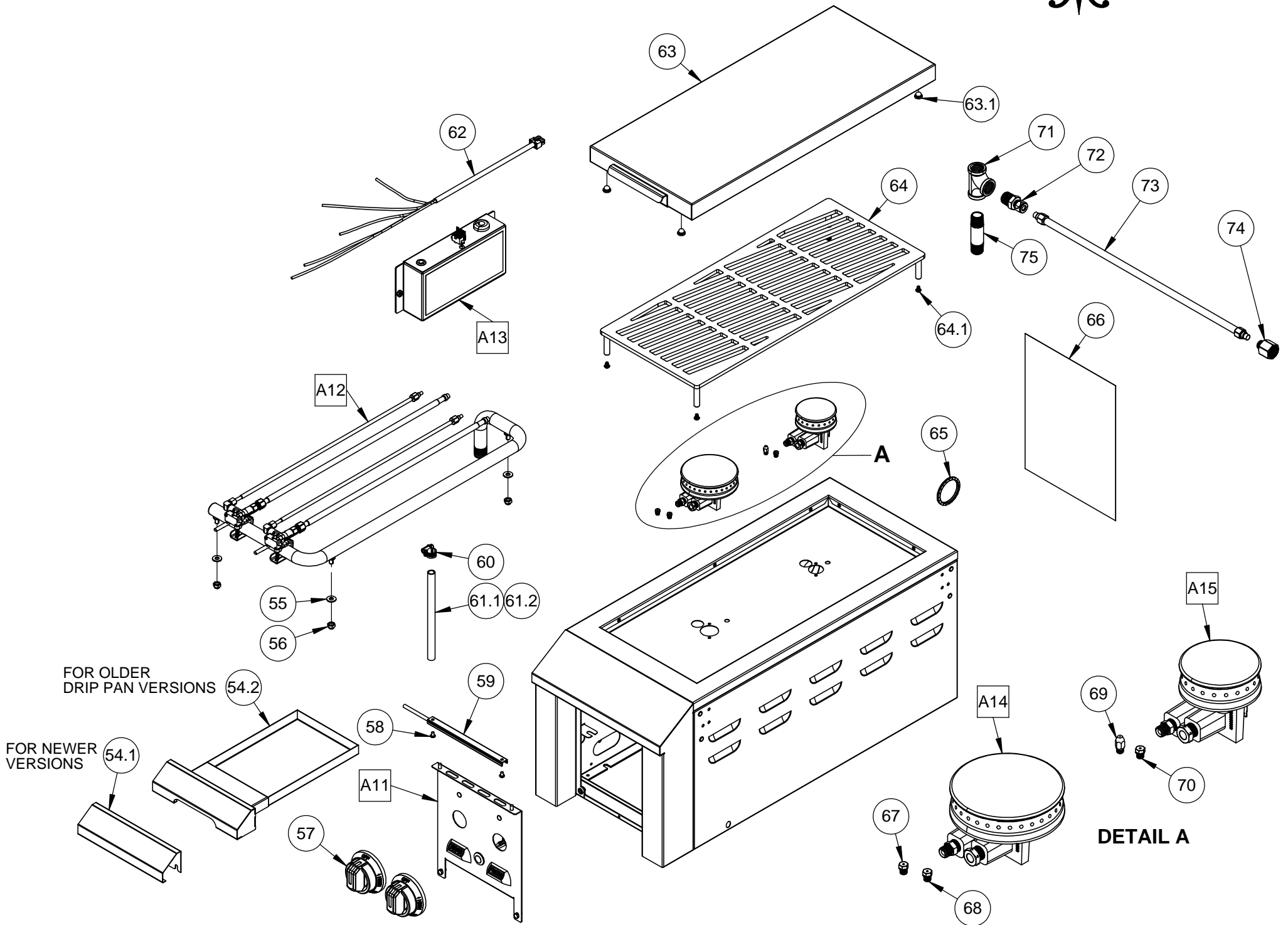
# REPLACEMENT PARTS - HESTAN DELUXE OUTDOOR GRILLS



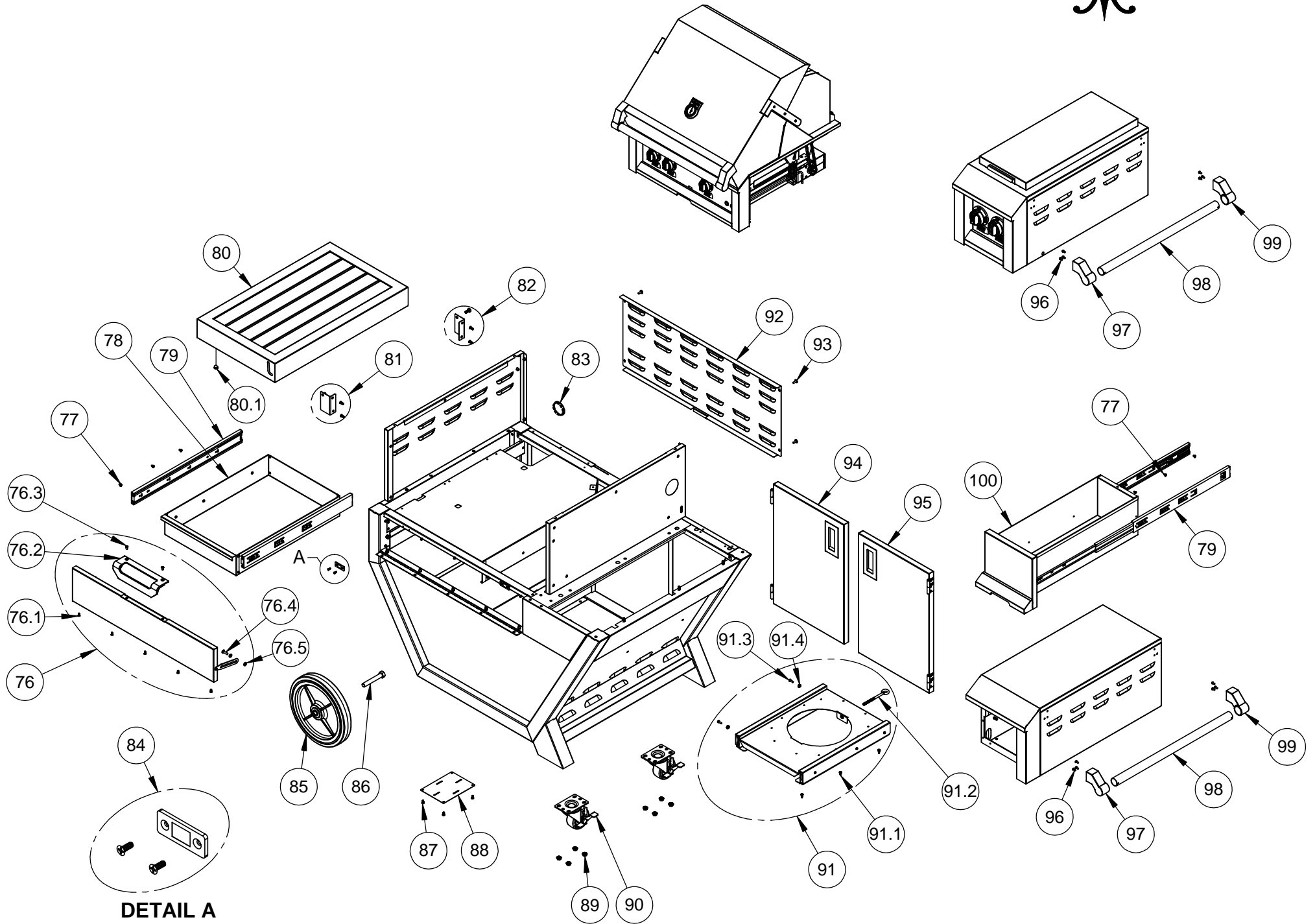
**HESTAN**

APPLICABLE MODEL NUMBERS		
GABR30CX	GABR36CX	GABR42CX
GABR30CX2	GABR36CX2	GABR42CX2
GSBR30CX	GSBR36CX	GSBR42CX
GSBR30CX2	GSBR36CX2	GSBR42CX2
GMBR30CX	GMBR36CX	GMBR42CX
GMBR30CX2	GMBR36CX2	GMBR42CX2

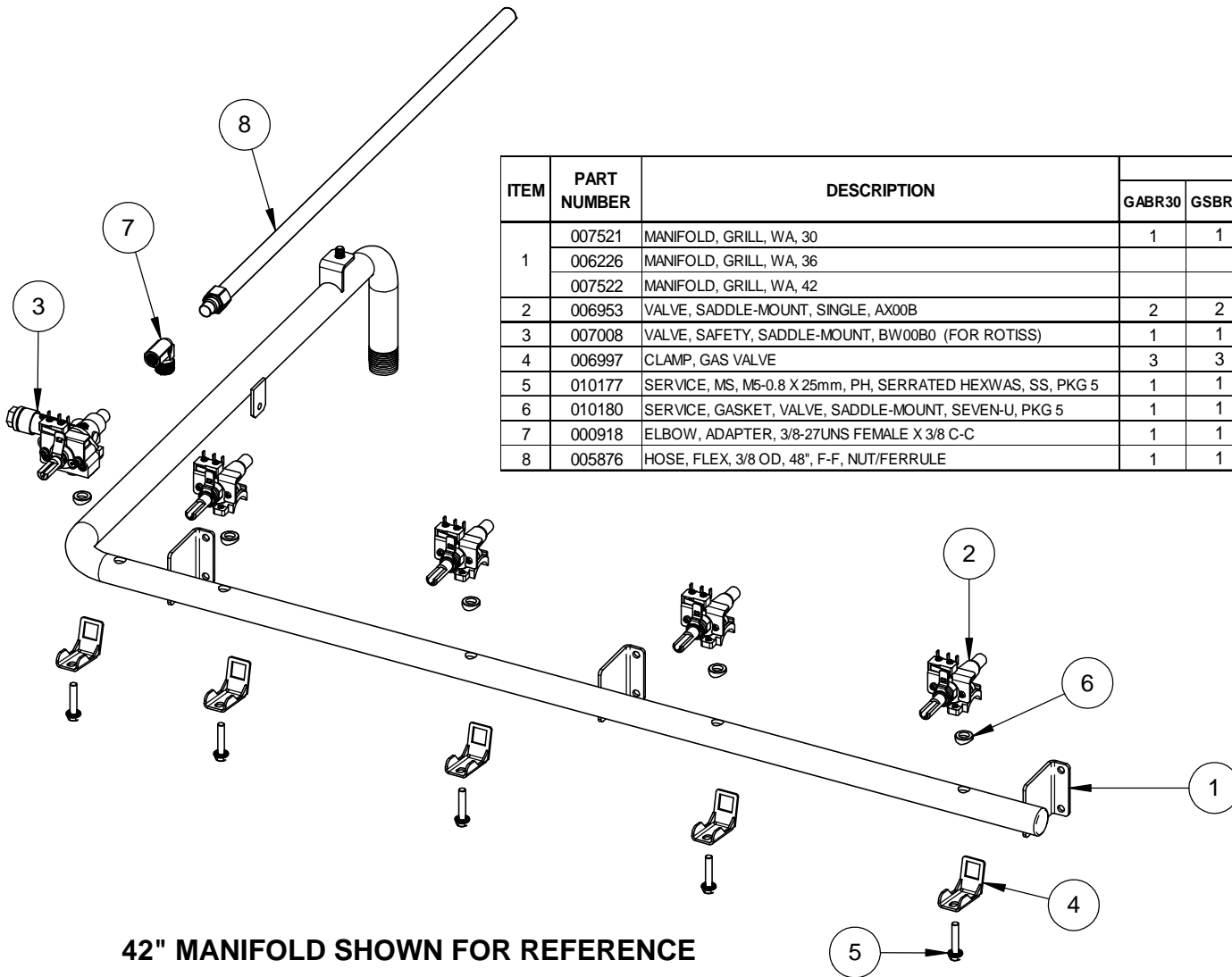
# REPLACEMENT PARTS - HESTAN OUTDOOR DELUXE GRILLS



# REPLACEMENT PARTS - HESTAN OUTDOOR DELUXE GRILLS







ITEM	PART NUMBER	DESCRIPTION	QTY								
			GABR30	GGBR30	GMBR30	GABR36	GGBR36	GMBR36	GABR42	GGBR42	GMBR42
1	007521	MANIFOLD, GRILL, WA, 30	1	1	1						
	006226	MANIFOLD, GRILL, WA, 36				1	1	1			
	007522	MANIFOLD, GRILL, WA, 42							1	1	1
2	006953	VALVE, SADDLE-MOUNT, SINGLE, AX00B	2	2	2	3	3	3	4	4	4
3	007008	VALVE, SAFETY, SADDLE-MOUNT, BW00B0 (FOR ROTISS)	1	1	1	1	1	1	1	1	1
4	006997	CLAMP, GAS VALVE	3	3	3	4	4	4	5	5	5
5	010177	SERVICE, MS, M5-0.8 X 25mm, PH, SERRATED HEXWAS, SS, PKG 5	1	1	1	1	1	1	1	1	1
6	010180	SERVICE, GASKET, VALVE, SADDLE-MOUNT, SEVEN-U, PKG 5	1	1	1	1	1	1	1	1	1
7	000918	ELBOW, ADAPTER, 3/8-27UNS FEMALE X 3/8 C-C	1	1	1	1	1	1	1	1	1
8	005876	HOSE, FLEX, 3/8 OD, 48", F-F, NUT/FERRULE	1	1	1	1	1	1	1	1	1

42" MANIFOLD SHOWN FOR REFERENCE

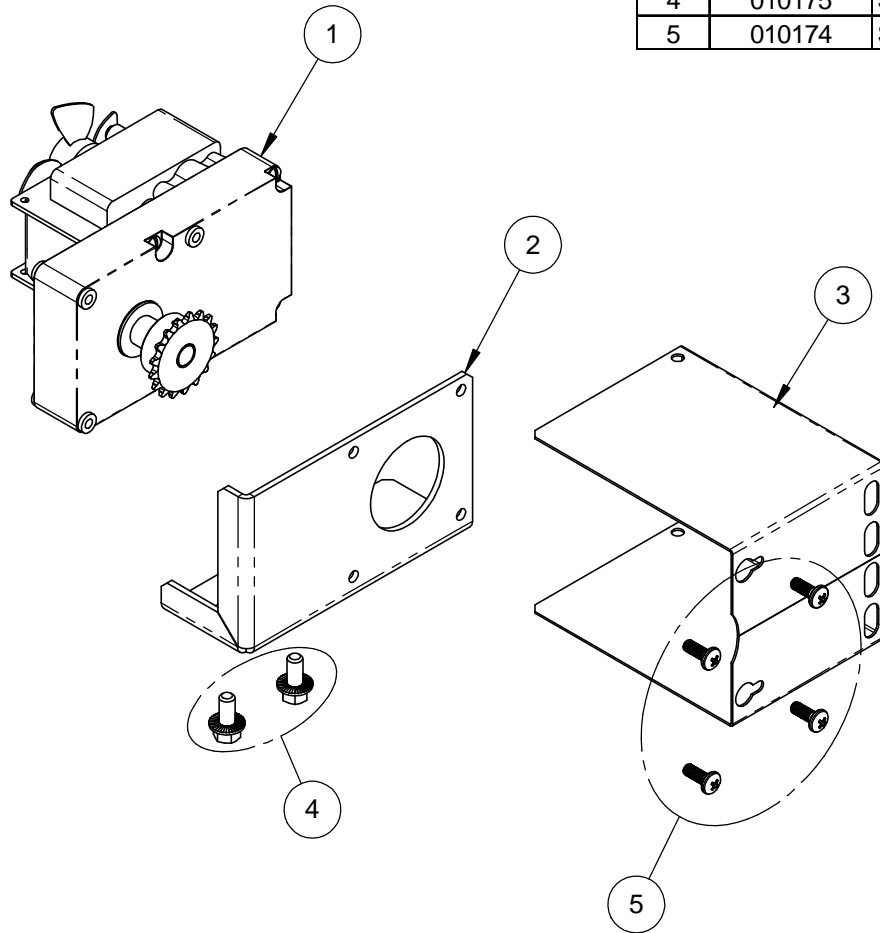


**SERVICE, MANIFOLD, GAS  
ASSY., GRILL**

DESCRIPTION  
  
DRAWING NO

**A1**

ITEM	PART NUMBER	DESCRIPTION	QTY
1	010132	SERVICE, ASSY., GEAR MOTOR W/SPROCKET, GRILL	1
2	008543	BRACKET, MOTOR MOUNT, GRILL, WA	1
3	006162	COVER, ROTISS MOTOR, GRILL	1
4	010175	SERVICE, HB, SERRATED FLANGE, 1/4-20 X .50, SS, PKG 2	1
5	010174	SERVICE, MS, 10-32 X 1/2, PH, PAN, SS, PKG 4	1



**HESTAN**

**SERVICE, ASSY., ROTISS  
MOTOR, GRILL**

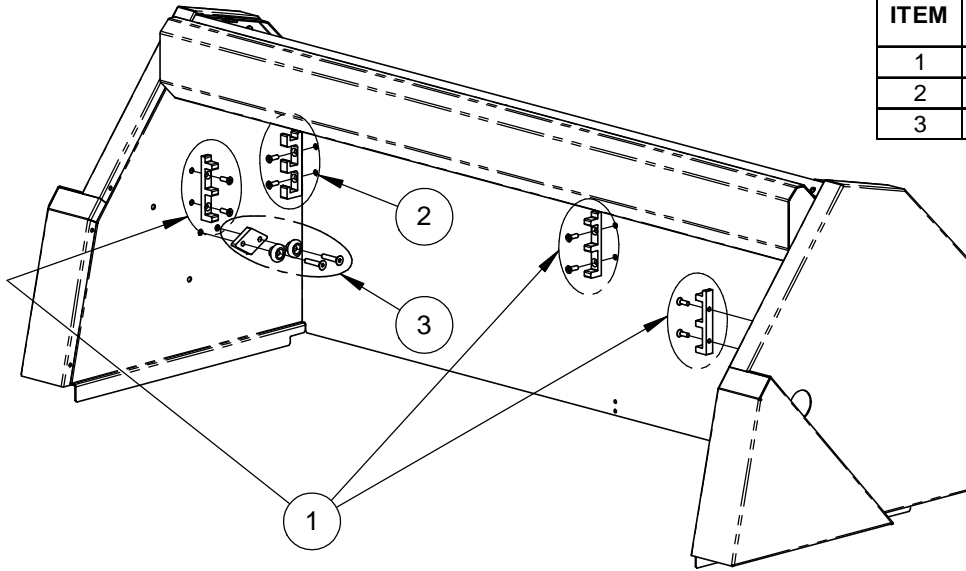
DESCRIPTION

DRAWING NO

**A2**

**SERVICE PARTS (30", 36", & EARLY 42" GRILLS)**

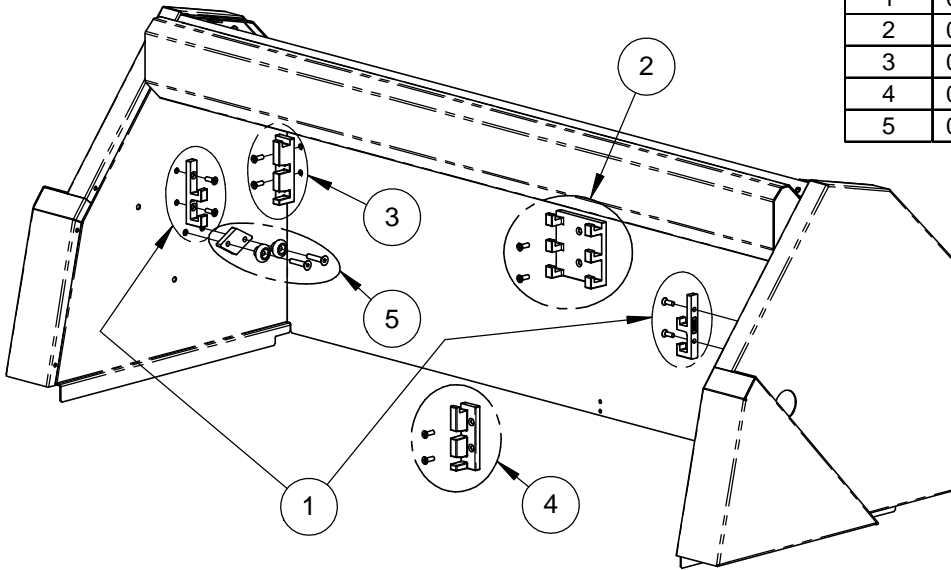
ITEM	PART NO.	DESCRIPTION	QTY		
			30"	36"	42"
1	010133	SERVICE, WARMING RACK LADDER/SCREWS, GRILL	2	2	3
2	010134	SERVICE, WARMING RACK LADDER LATCHED/SCREWS, GRILL	2	2	2
3	006824	ASSY., ROLLER CRADLE, GRILL	1	1	1



**ABOVE APPLIES TO 30", 36", & EARLY 42" GRILLS W/ FULL-WIDTH WARMING RACK (EARLY 42" SHOWN FOR REFERENCE)**

**SERVICE PARTS (42" GRILLS W/ DUAL WARMING RACKS)**

ITEM	PART NO.	DESCRIPTION	QTY
			42"
1	018143	SERVICE, SPLIT WARMING RACK & SCREWS, SIDE LADDER	2
2	018144	SERVICE, SPLIT WARMING RACK & SCREWS, REAR-CENTER LADDER	1
3	018145	SERVICE, SPLIT WARMING RACK & SCREWS, REAR-LEFT LADDER	1
4	018146	SERVICE, SPLIT WARMING RACK & SCREWS, REAR-RIGHT LADDER	1
5	006824	ASSY., ROLLER CRADLE, GRILL	1



**ABOVE APPLIES TO 42" GRILLS W/ DUAL WARMING RACKS**



**SERVICE, ASSY., CANOPY, GRILL**

DESCRIPTION

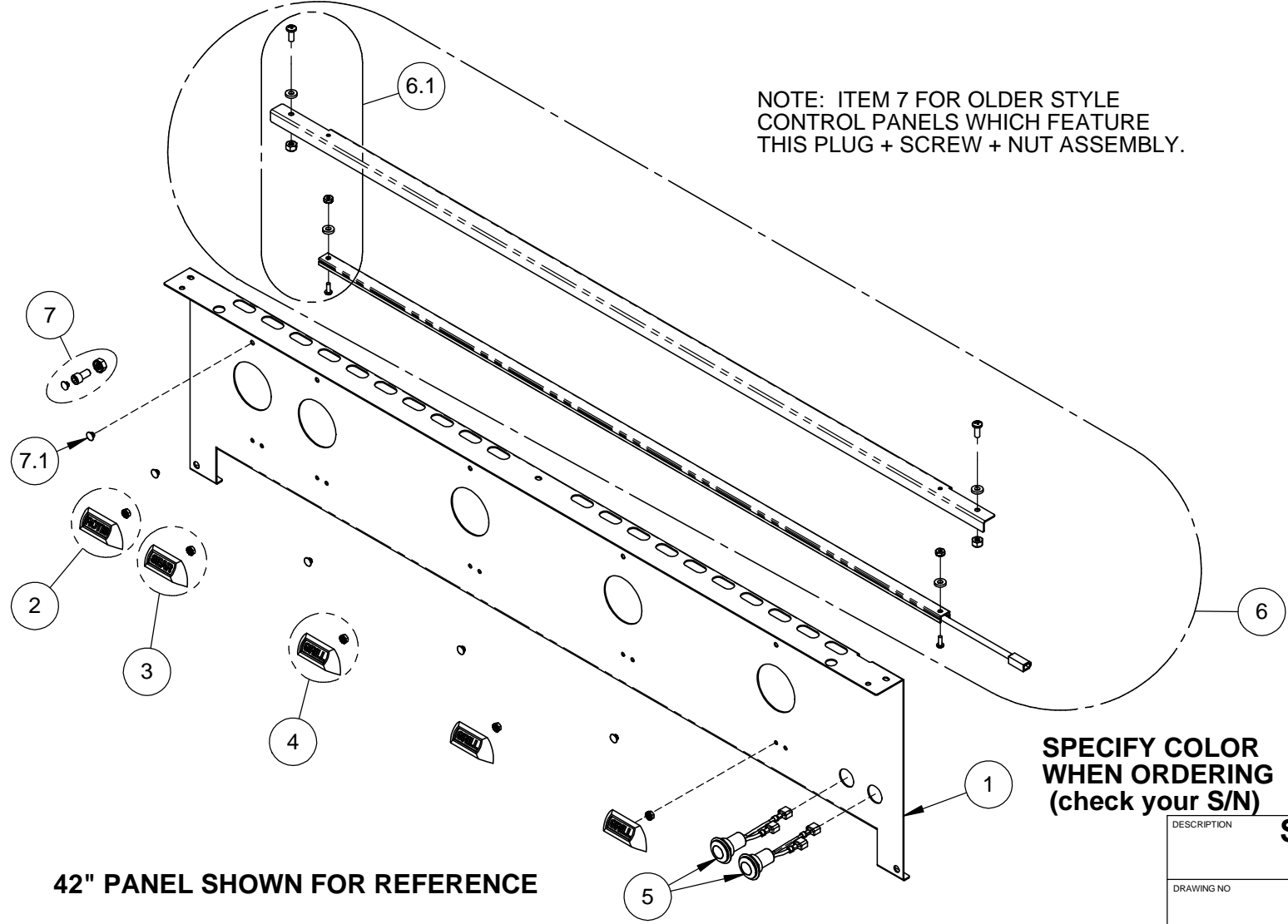
DRAWING NO

**A3**

ITEM	PART NUMBER	DESCRIPTION	QTY											
			GABR30	GSBR30	GMBR30	GABR36	GSBR36	GMBR36	GABR42	GSBR42	GMBR42			
*1	008308-XX	PANEL, CONTROL, GRILL, 30	1	1	1									
	006172-XX	PANEL, CONTROL, GRILL, 36				1	1	1						
	008411-XX	PANEL, CONTROL, GRILL, 42									1	1	1	
2	007797	ASSY., VALVE MARKER, ROTIS	1	1	1	1	1	1	1	1	1	1	1	1
3	007799	ASSY., VALVE MARKER, SEAR		2	1		3	1			4	1		
4	007573	ASSY., VALVE MARKER, GRILL	2		1	3		2	4			3		
5	013244	SWITCH, PUSHBUTTON, 19mm, SPST, 10A, 250VAC	2	2	2	2	2	2	2	2	2	2	2	2
6	010170	SERVICE, LED LIGHT BAR ASSY. & FASTENERS, 30	1	1	1									
	010169	SERVICE, LED LIGHT BAR ASSY. & FASTENERS, 36					1	1	1					
	010168	SERVICE, LED LIGHT BAR ASSY. & FASTENERS, 42									1	1	1	
6.1	017836	SERVICE, LED BAR FASTENERS	1	1	1	1	1	1	1	1	1	1	1	1
7	010163	SERVICE, INDICATOR, OFF POSITION, CONTROL KNOB, GRILL	3	3	3	4	4	4	5	5	5	5	5	5
7.1	017808	SERVICE, PLUG, 1/4-20 SHCS, CHROME, PKG 5	1	1	1	1	1	1	1	1	1	1	1	1



COLOR CODE	COLOR
-BK	STEALTH - BLACK
-WH	FROTH - WHITE
-RD	METADOR - RED
-YW	SOL - YELLOW
-OR	CITRA - ORANGE
-BG	TIN ROOF - BURGUNDY
-PP	LUSH - PURPLE
-BU	PRINCE - BLUE
-GR	GROVE - GREEN
-GG	PACIFIC FOG - DARK GRAY
-TQ	BORA BORA - TURQUOISE



NOTE: ITEM 7 FOR OLDER STYLE CONTROL PANELS WHICH FEATURE THIS PLUG + SCREW + NUT ASSEMBLY.

**SPECIFY COLOR WHEN ORDERING (check your S/N)**

42" PANEL SHOWN FOR REFERENCE

**HESTAN**

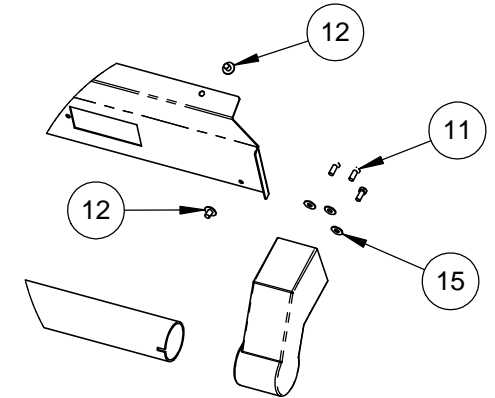
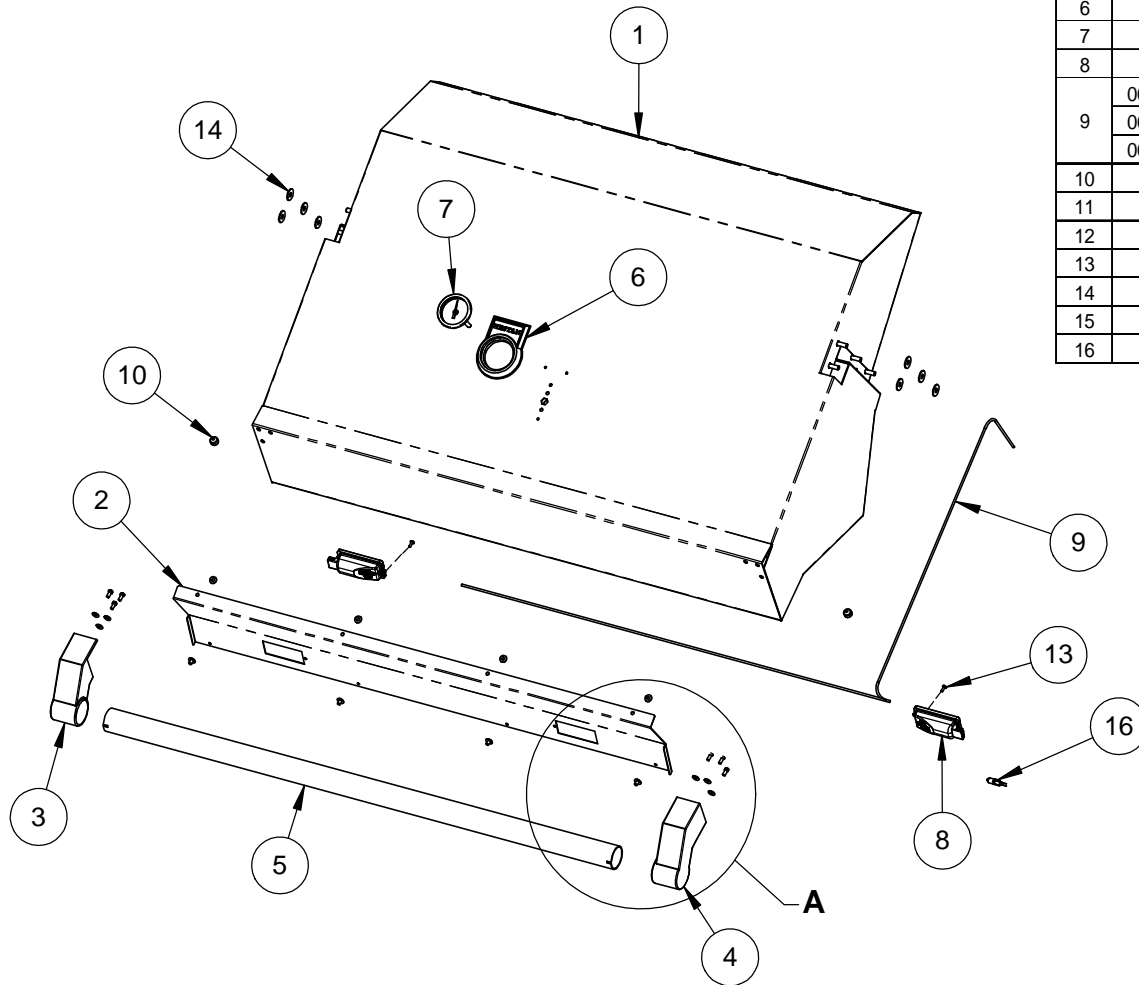
**SERVICE, ASSY., CONTROL PANEL, GRILL**

**A4**

DESCRIPTION \_\_\_\_\_

DRAWING NO \_\_\_\_\_

ITEM	PART NUMBER	DESCRIPTION	QTY		
			30	36	42
1	008304	LID, GRILL, WA, 30	1		
	006938	LID, GRILL, WA, 36		1	
	008416	LID, GRILL, WA, 42			1
2	008307	COVER, INSIDE LID, GRILL, 30	1		
	006519	COVER, INSIDE LID, GRILL, 36		1	
	008421	COVER, INSIDE LID, GRILL, 42			1
3	000114	ENDCAP, HANDLE, LH, OVEN DOOR	1	1	1
4	000115	ENDCAP, HANDLE, RH, OVEN DOOR	1	1	1
5	006139-030	HANDLE, LID, GRILL	1		
	006139-036	HANDLE, LID, GRILL		1	
	006139-042	HANDLE, LID, GRILL			1
6	006689	LOGO, HESTAN, GRILL	1	1	1
7	017541	THERMOMETER, GRILL, HESTAN	1	1	1
8	006134	LAMP, HALOGEN, 30 X 70mm, 20W	2	2	2
9	006945-030	HARNESS, LID WIRES, GRILL, 30	1		
	006945-036	HARNESS, LID WIRES, GRILL, 36		1	
	006945-042	HARNESS, LID WIRES, GRILL, 42			1
10	010197	SERVICE, BUMPER, RUBBER, .50 DIAM. X .250 H, PKG 4	1	1	1
11	010198	SERVICE, MS, 8-32 X .375, HEXHD, SS, PKG 6	1	1	1
12	011856	SERVICE, MS, 10-24 X .250, PH, TRUSS, SS, PKG 6	2	2	2
13	010200	SERVICE, MS, 4-40 X 3/8, PH TRUSS, SS, PKG 2	1	1	1
14	010201	SERVICE, WSH, FLAT, 9/32 (.281 X .750 X .060), FIBER, PKG 8	1	1	1
15	010202	SERVICE, WSH, FLAT, #8 (.174 X .438 X .031), SS, PKG 6	1	1	1
16	018142	SERVICE, BULB, HALOGEN, G4 BI-PIN, 20W, PKG 2	1	1	1



DETAIL A

**HESTAN**

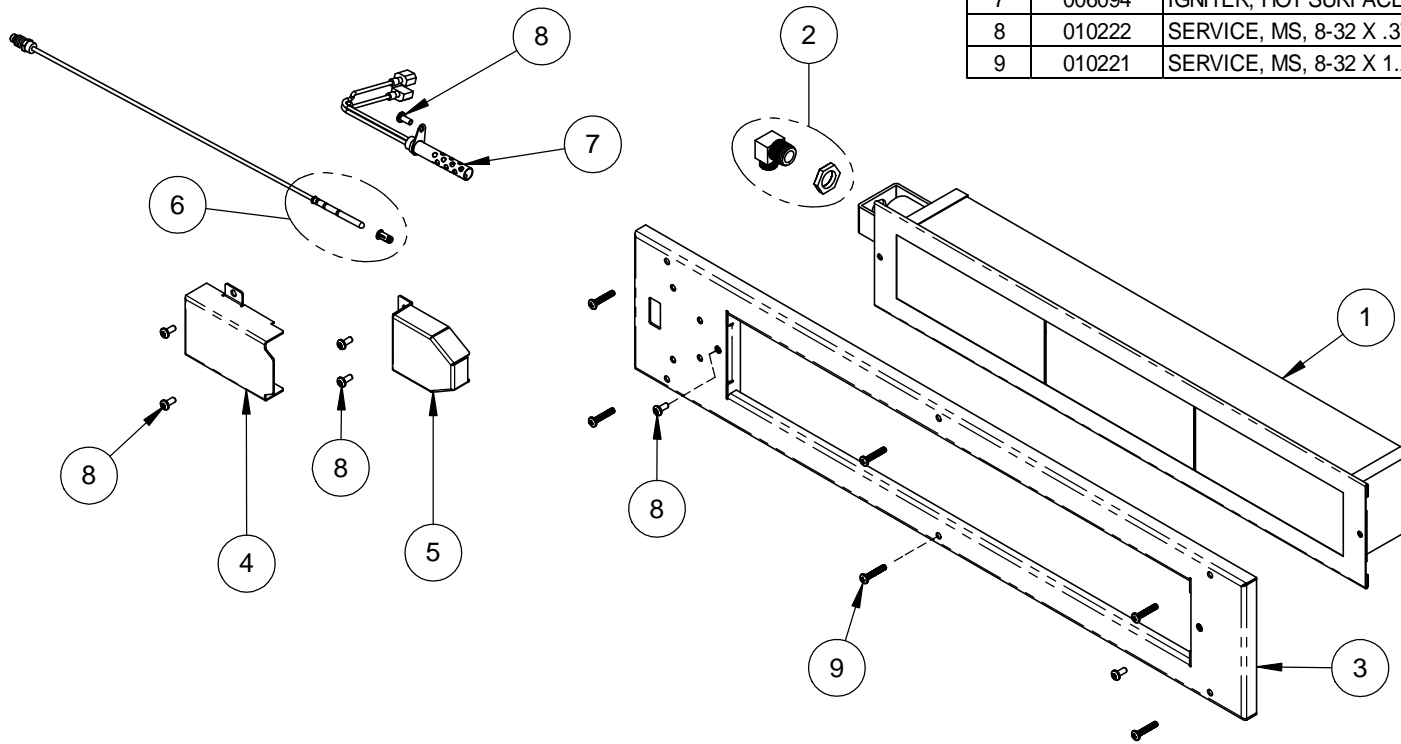
**SERVICE, ASSY., LID, GRILL**

DESCRIPTION

DRAWING NO

**A5**

ITEM	PART NUMBER	DESCRIPTION	QTY		
			30	36	42
1	008277	BURNER, INFRARED, ROTISS, HR12	1		
	006098	BURNER, INFRARED, ROTISS, HR14		1	
	008278	BURNER, INFRARED, ROTISS, HR18			1
2	010218	SERVICE, ORIFICE ELBOW & NUT, IR BURNER, GRILL	1	1	1
3	008412	FRAME, ROTISS BURNER, GRILL, WA, 30	1		
	008413	FRAME, ROTISS BURNER, GRILL, WA, 36		1	
	008414	FRAME, ROTISS BURNER, GRILL, WA, 42			1
4	006115	WIRE COVER, ROTISS IGNITER, GRILL	1	1	1
5	007554	SHROUD, IGNITER, ROTISS BURNER, GRILL, WA	1	1	1
6	010220	SERVICE, THERMOCOUPLE & CLIP, IR BURNER, GRILL	1	1	1
7	006094	IGNITER, HOT SURFACE, ROTIS.	1	1	1
8	010222	SERVICE, MS, 8-32 X .375, TORX, PAN, SS, PKG 10	1	1	1
9	010221	SERVICE, MS, 8-32 X 1.25, PH, PAN, SS, PKG 6	1	1	1



**HESTAN**

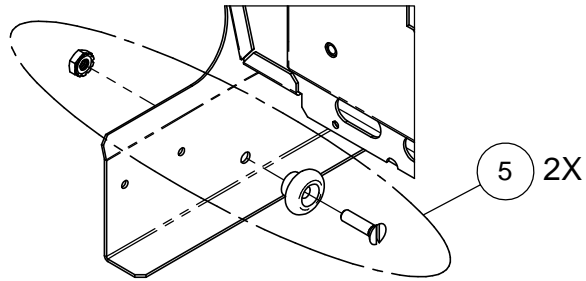
**SERVICE, ASSY., ROTISS  
BURNER, GRILL**

DESCRIPTION

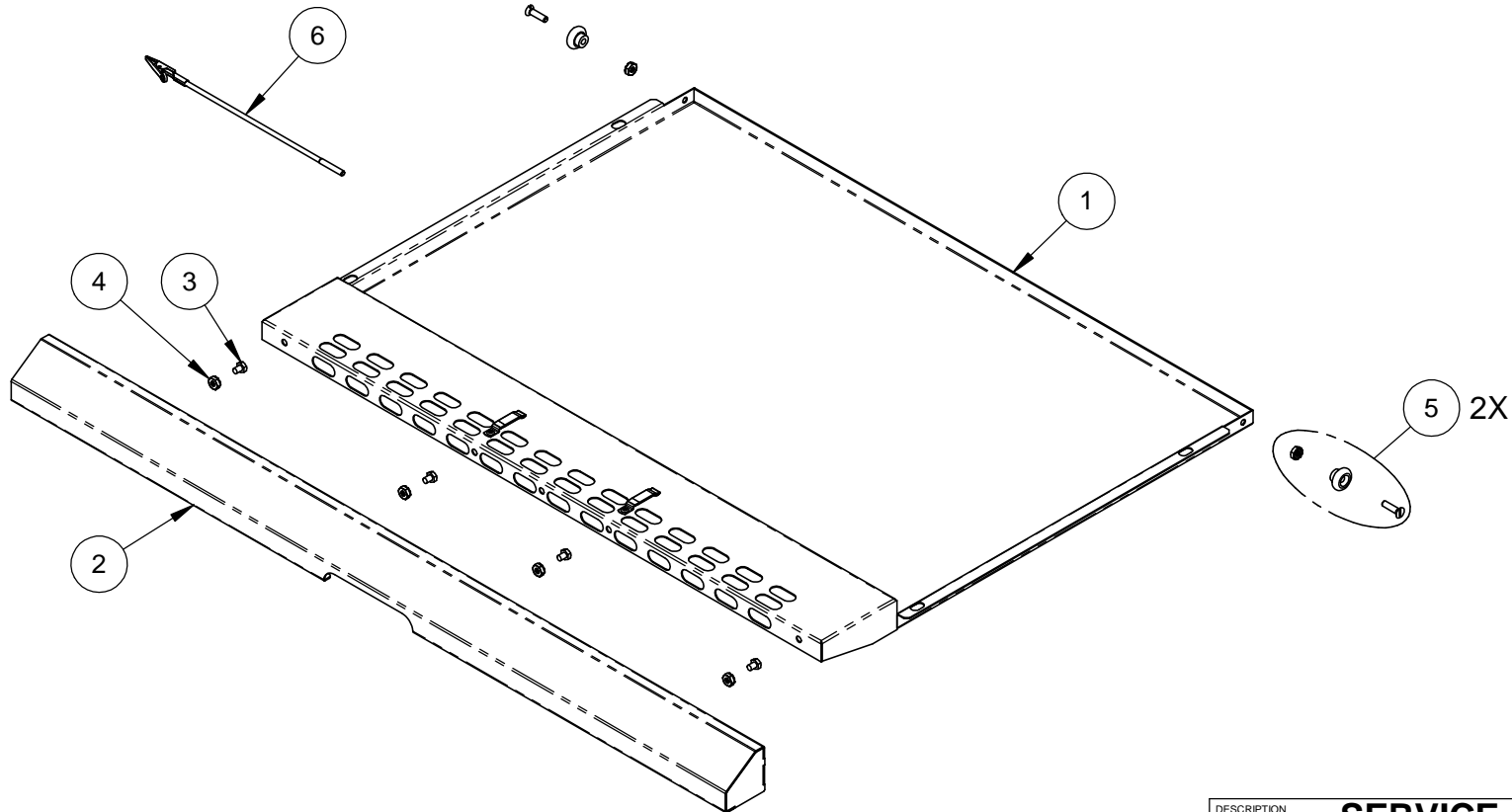
DRAWING NO

**A6**

**ROLLER WHEELS MOUNTED ON FIREBOX**



ITEM	PART NUMBER	DESCRIPTION	QTY		
			30"	36"	42"
1	008350	FRAME, DRIP PAN, GRILL, 30"	1		
	006190	FRAME, DRIP PAN, GRILL, 36"		1	
	008367	FRAME, DRIP PAN, GRILL, 42"			1
2	008311	CHIN, DRIP PAN, W/HANDLE, GRILL, WA, 30"	1		
	006187	CHIN, DRIP PAN, W/HANDLE, GRILL, WA, 36"		1	
	008365	CHIN, DRIP PAN, W/HANDLE, GRILL, WA, 42"			1
3	010237	SERVICE, MS, 10-24 X 1/4, HEX HD, SS, PKG 6	1	1	1
4	017384	SERVICE, NUT, KEPS, #10-24, SS, PKG 4	1	1	1
5	010127	SERVICE, ROLLER WHEEL & FASTENER, DRIP PAN	4	4	4
6	008029	CLIP, MATCH LIGHT	1	1	1

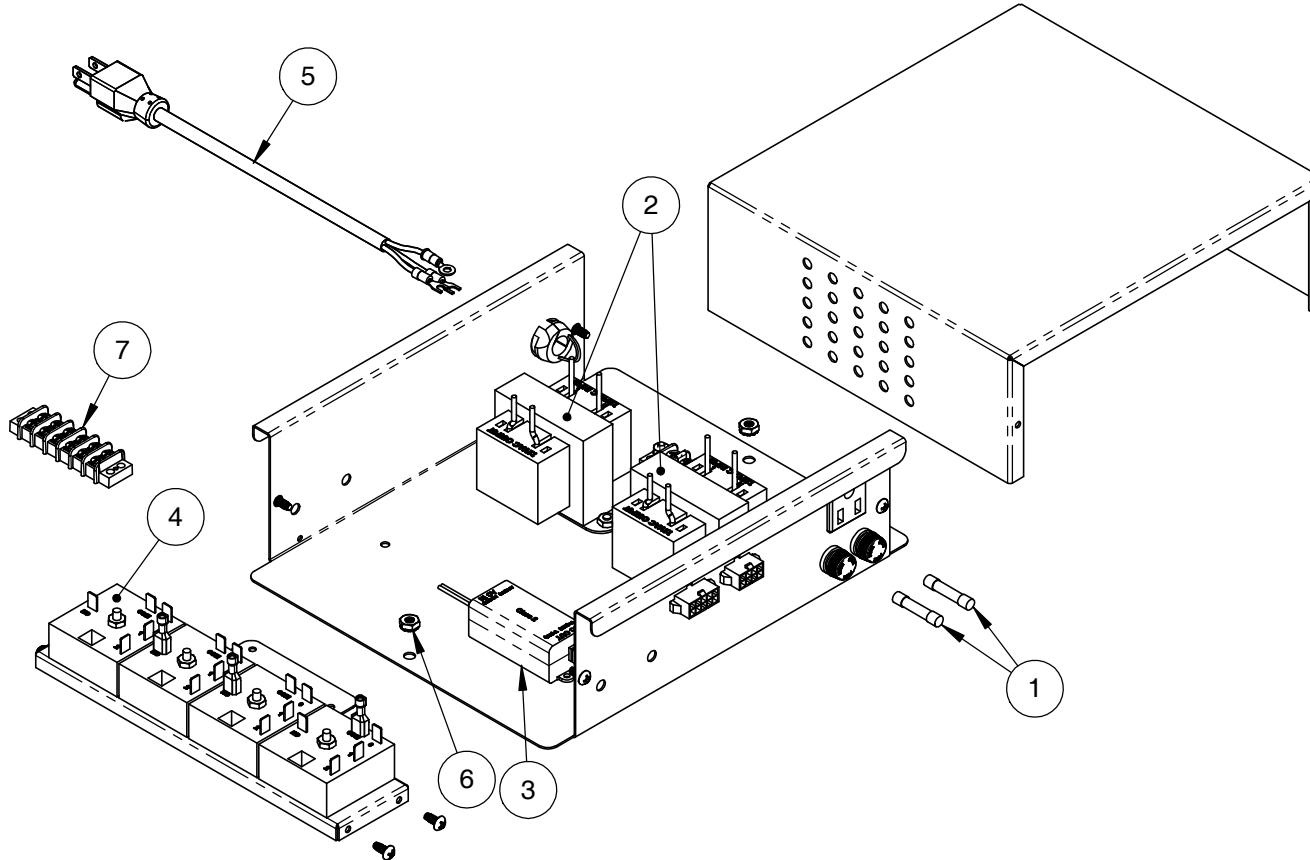


**HESTAN**

DESCRIPTION **SERVICE, ASSY., DRIP PAN, GRILL**

DRAWING NO **A7**

ITEM	PART NUMBER	DESCRIPTION	QTY								
			GABR30	GSBR30	GMBR30	GABR36	GSBR36	GMBR36	GABR42	GSBR42	GMBR42
1	007732	FUSE, 750mA, 250V, 1/4 X 1-1/4, SLO BLO	2	2	2	2	2	2	2	2	2
2	024050	SERVICE, TRANSFORMER, 120V, CLASS 2, 12 VAC, 4.17 A	2	2	2	2	2	2	2	2	2
3	023837	SERVICE, KIT, LED DRIVER REPLACEMENT	1	1	1	1	1	1	1	1	1
4	007493	TIME DELAY RELAY, 10A, 8 SEC.	2	2	2	3	3	3	4	4	4
5	023755	SERVICE, CORD, POWER, 79", 3 BLADE PLUG, WITH TERMINALS	1	1	1	1	1	1	1	1	1
6	009153	NUT, KEPS, #10-32, SS	2	2	2	2	2	2	2	2	2
7	001457	TERMINAL BLOCK, 4 CIRCUIT, 3/8" SPACING	1	1	1	1	1	1	1	1	1



**42" ELECTRICAL BOX SHOWN FOR REFERENCE**

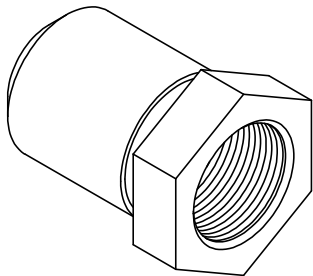
TO ORDER COMPLETE ELECTRICAL BOX	
GRILL MODEL NUMBER	PART NUMBER
GABR30	007583-030
GSBR30	
GMBR30	
GABR36	007583-036
GSBR36	
GMBR36	
GABR42	007583-042
GSBR42	
GMBR42	



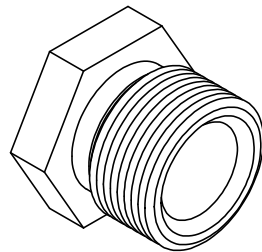
DESCRIPTION	<b>SERVICE, ELECTRICAL BOX ASSEMBLY, OUTDOOR GRILL</b>
DRAWING NO	<b>A8</b>



BURNER TYPE	FUEL TYPE	BTU OUTPUT	Orifice P/N	QTY. PER GRILL MODEL								
				GABR30	GSBR30	GMBR30	GABR36	GSBR36	GMBR36	GABR42	GSBR42	GMBR42
Trellis Burner	NG	25000	000293-042	2		1						
	LP	25000	000293-053	2		1						
Sear Burner	NG	25000	000293-042		2	1						
	LP	22000	000293-054		2	1						
Rotiss	NG	12000	002865-051	1	1	1						
	LP	11000	002865-060	1	1	1						
Trellis Burner	NG	25000	000293-042				3		2			
	LP	25000	000293-053				3		2			
Sear Burner	NG	25000	000293-042					3	1			
	LP	22000	000293-054					3	1			
Rotiss	NG	14000	002865-050				1	1	1			
	LP	13000	002865-057				1	1	1			
Trellis Burner	NG	25000	000293-042							4		3
	LP	25000	000293-053							4		3
Sear Burner	NG	25000	000293-042								4	1
	LP	22000	000293-054								4	1
Rotiss	NG	18000	002865-045							1	1	1
	LP	18000	002865-056							1	1	1



HOOD ORIFICE  
000293-XXX



SPUD ORIFICE  
002865-XXX



**SERVICE, ORIFICE CHART,  
OUTDOOR GRILL**

DESCRIPTION

DRAWING NO

**A9**

APPLIANCE	BURNER TYPE	FUEL TYPE	BTU OUTPUT	Orifice P/N
Double Outdoor Side Burner	Front (main)	NG	20000	008666-045
	Front (simmer)	NG		008666-065
	Front (main)	LP	18000	008665-056
	Front (simmer)	LP		008665-075
	Rear (main)	NG	10000	008666-054
	Rear (simmer)	NG		008675-067
	Rear (main)	LP	10,000	008665-065
	Rear (simmer)	LP		008675-076



SIDE BURNER  
ORIFICE  
008665-XXX



SIDE BURNER  
ORIFICE  
008666-XXX



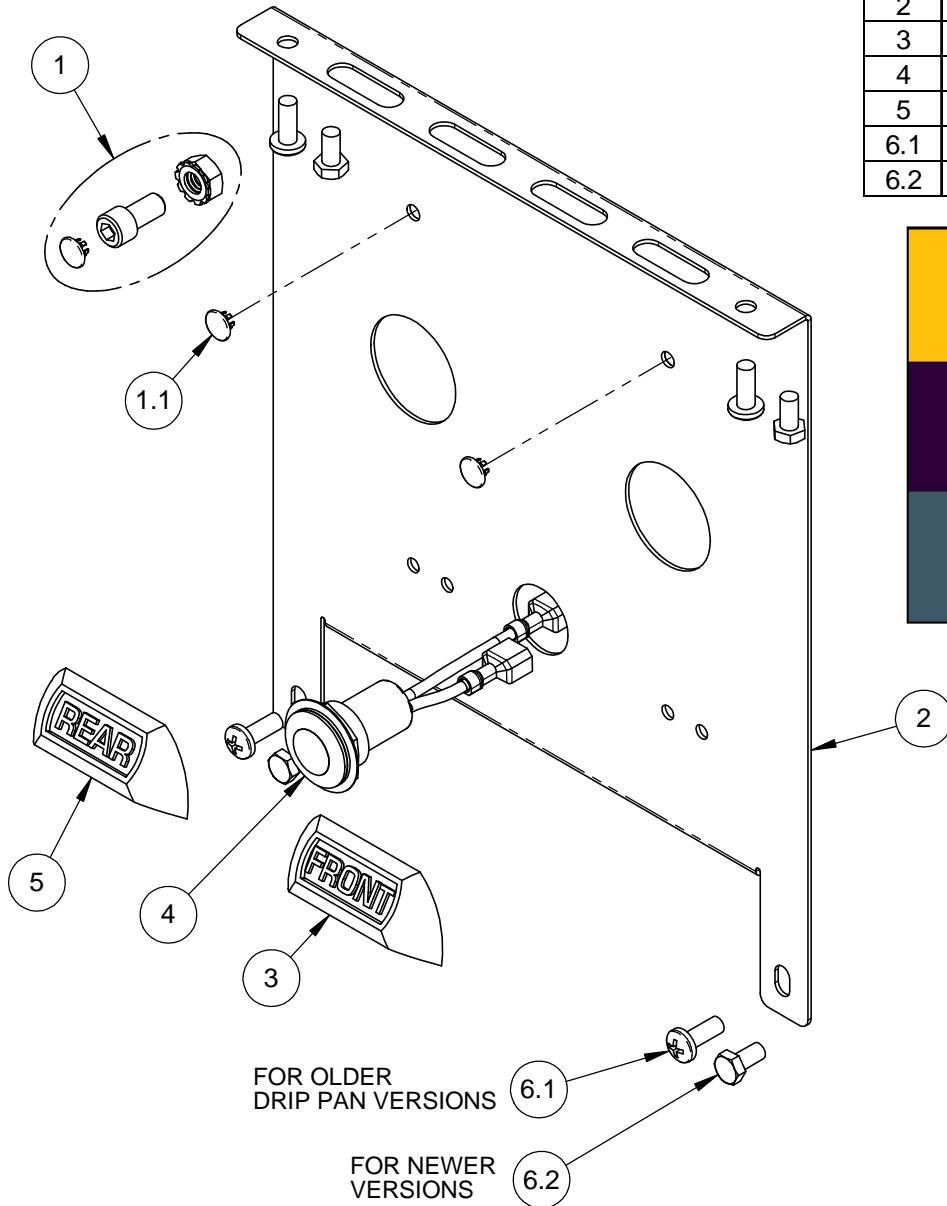
BULLET ORIFICE  
008675-XXX

 HESTAN

DESCRIPTION	<b>SERVICE, ORIFICE CHART, OUTDOOR SIDE BURNER</b>
DRAWING NO	

A10

NOTE: ITEM 1 FOR OLDER STYLE CONTROL PANELS WHICH FEATURE THIS PLUG + SCREW + NUT ASSEMBLY



ITEM	PART NUMBER	DESCRIPTION	QTY
1	010163	SERVICE, INDICATOR, OFF POSITION, CONTROL KNOB	2
1.1	017808	SERVICE, PLUG, 1/4-20 SHCS, CHROME, PKG 5	1
2	007273-XX	PANEL, CONTROL, SIDE BURNER, DOUBLE	1
3	007800	ASSY., VALVE MARKER/NUT, FRONT, GRILL	1
4	013244	SWITCH, PUSHBUTTON, 19mm, SPST, 10A, 250VAC	1
5	007801	ASSY., VALVE MARKER/NUT, REAR, GRILL	1
6.1	017429	SERVICE, MS, 10-24 X 1/2, PH, PAN, SS, PKG 6	1
6.2	024037	SERVICE, MS, 10-24 X 3/8, HEXHD, SS, PKG 6	1

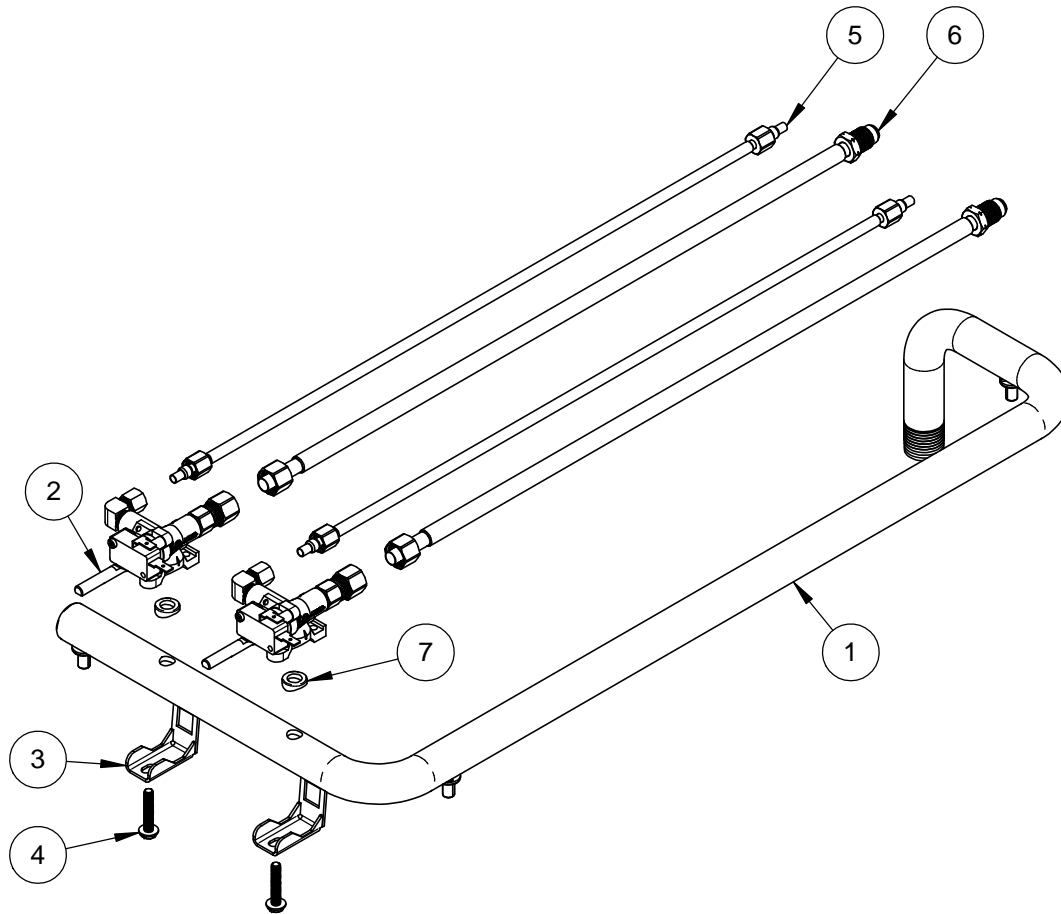


COLOR CODE	COLOR
-BK	STEALTH - BLACK
-WH	FROTH - WHITE
-RD	METADOR - RED
-YW	SOL - YELLOW
-OR	CITRA - ORANGE
-BG	TIN ROOF - BURGUNDY
-PP	LUSH - PURPLE
-BU	PRINCE - BLUE
-GR	GROVE - GREEN
-GG	PACIFIC FOG - DARK GRAY
-TQ	BORA BORA - TURQUOISE

 HESTAN

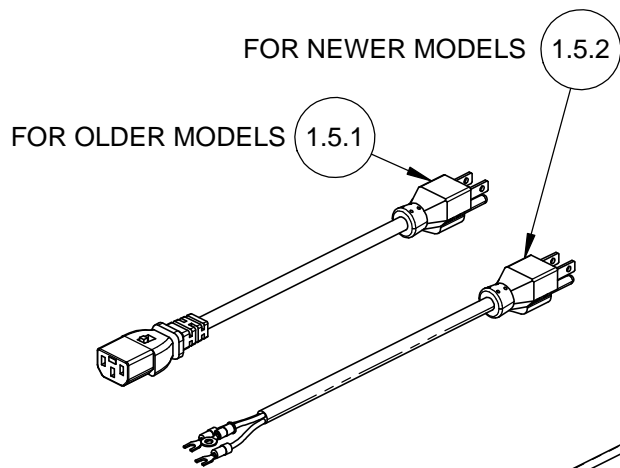
DESCRIPTION	<b>SERVICE, ASSY., PANEL, CONTROL, SIDE BURNER, DOUBLE</b>
DRAWING NO	<b>A11</b>

ITEM	PART NUMBER	DESCRIPTION	QTY
1	007421	MANIFOLD, SIDE BURNER, DOUBLE, WA	1
2	007174	VALVE, SADDLE-MOUNT, DUAL, AX00B	2
3	006997	CLAMP, GAS VALVE	2
4	010345	SERVICE, MS, 10-32 X 1.00, SL, HEXWAS, SS, PKG 4	1
5	005688	HOSE, FLEX, 3/16 OD, 18", F-F, NUT/FERRULE	2
6	017423	SERVICE, HOSE, FLEX, 5/16 OD, 18", F-F	2
7	006946	GASKET, VALVE, SADDLE-MOUNT, SEVEN-U	2



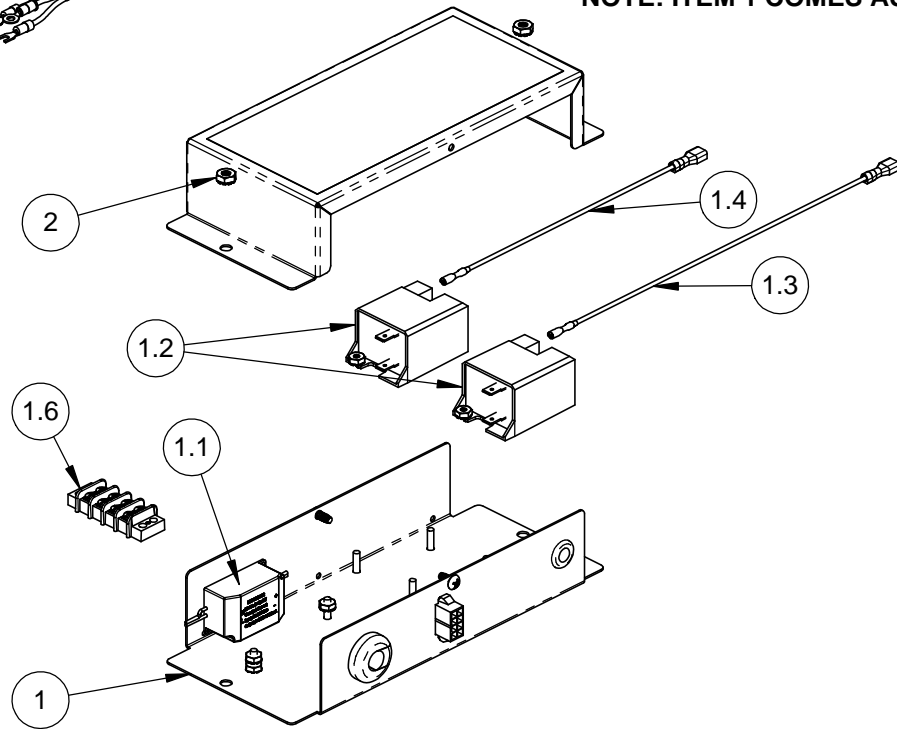
 HESTAN

DESCRIPTION	<b>SERVICE, ASSY., GAS MANIFOLD, SIDE BURNER, DOUBLE</b>
DRAWING NO	<b>A12</b>



ITEM	PART NUMBER	DESCRIPTION	QTY	
			AGB121	AGB122
1	008380-001	ASSY., ELECTRICAL BOX, SIDE BURNER, SINGLE	1	-
	008380-002	ASSY., ELECTRICAL BOX, SIDE BURNER, DOUBLE	-	1
1.1	024038	SERVICE, KIT, LED DRIVER REPLACEMENT, SIDE BURNER	1	1
1.2	000529	MODULE, EGO RE-IGNITER, RI120A-1	1	2
1.3	011658	SERVICE, WIRE, IGNITER, 18"	-	1
1.4	011655	SERVICE, WIRE, IGNITER, 13"	1	1
1.5.1	009015	CORD, POWER, 6FT, 3 BLADE PLUG	1	1
1.5.2	023755	SERVICE, CORD, POWER, 79", 3 BLADE PLUG, WITH TERMINALS	1	1
1.6	001457	TERMINAL BLOCK, 4 CIRCUIT, 3/8" SPACING	1	1
2	011716	SERVICE, NUT, KEPS, #10-32, SS, PKG 4	1	1

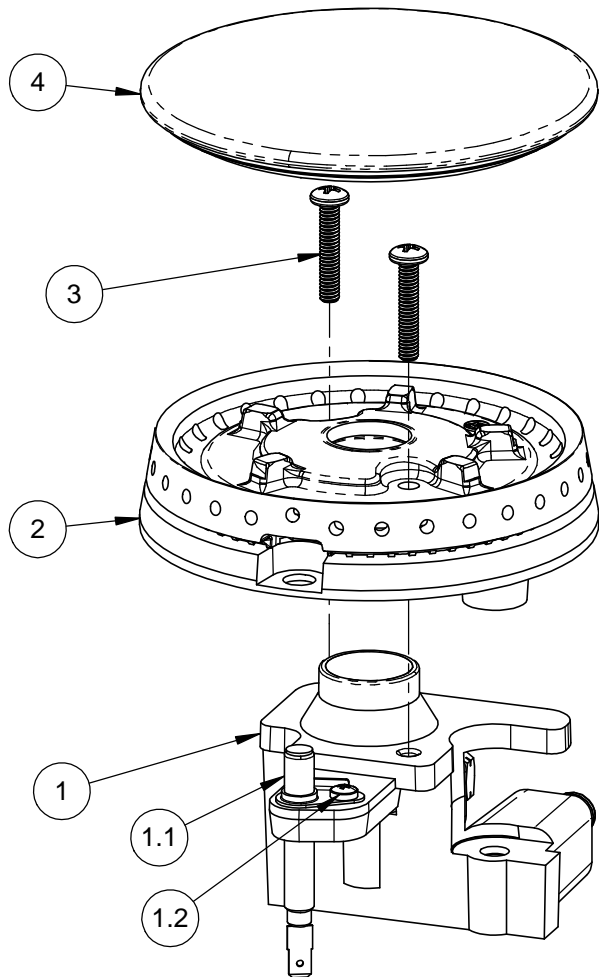
**NOTE: ITEM 1 COMES ASSEMBLED WITH ITEMS 1.1 THRU 1.6.**



**DOUBLE SIDE BURNER ELECTRICAL BOX SHOWN FOR REFERENCE**



DESCRIPTION	<b>SERVICE, ASSY., ELECTRICAL BOX, OUTDOOR SIDE BURNER</b>
DRAWING NO	<b>A13</b>



ITEM	PART NUMBER	DESCRIPTION	QTY
1	007949	ORIFICE HOLDER, STACKED BURNER, LARGE	1
1.1	010331	SERVICE, ASSY., IGNITER WITH BRACKET	1
1.2	017815	SERVICE, IGNITER SCREW, PKG 2	1
2	007950	BASE, STACKED BURNER, LARGE	1
3	017811	SERVICE, MS, 8-32 X .875, PH, PAN, SS, PKG 4	1
4	007951	CAP, STACKED BURNER, LARGE	1

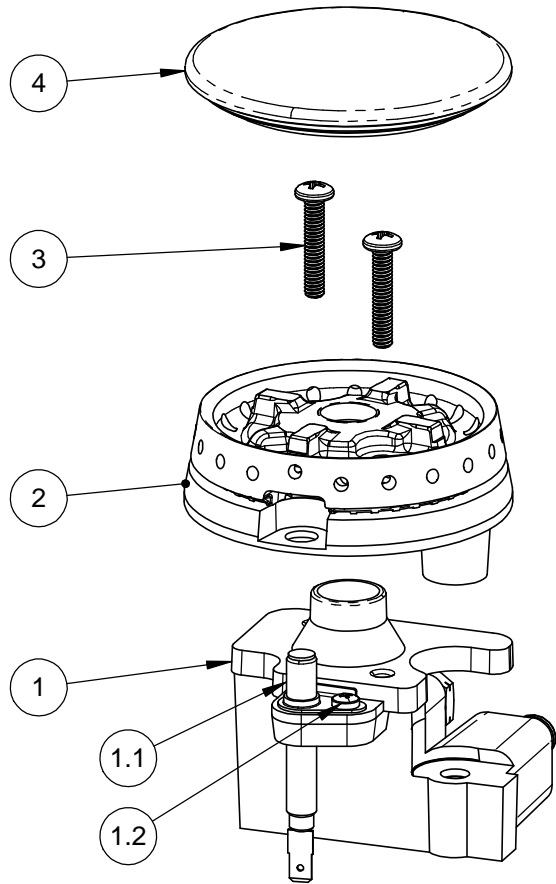
**NOTES:**

1. ITEM 1 COMES ASSEMBLED WITH ITEMS 1.1 AND 1.2.
2. ORDER P/N 007955 FOR THE COMPLETE ASSEMBLY OF ITEMS 1 THRU 4.

 HESTAN

DESCRIPTION	<b>SERVICE, ASSY., BURNER, DUAL STACKED, LARGE</b>
DRAWING NO	

A14



ITEM	PART NUMBER	DESCRIPTION	QTY
1	007952	ORIFICE HOLDER, STACKED BURNER, SMALL	1
1.1	010331	SERVICE, ASSY., IGNITER WITH BRACKET	1
1.2	017815	SERVICE, IGNITER SCREW, PKG 2	1
2	007953	BASE, STACKED BURNER, SMALL	1
3	017811	SERVICE, MS, 8-32 X .875, PH, PAN, SS, PKG 4	1
4	007954	CAP, STACKED BURNER, SMALL	1

**NOTES:**

1. ITEM 1 COMES ASSEMBLED WITH ITEMS 1.1 AND 1.2.
2. ORDER P/N 007956 FOR THE COMPLETE ASSEMBLY OF ITEMS 1 THRU 4.

 HESTAN

DESCRIPTION	<b>SERVICE, ASSY., BURNER, DUAL STACKED, SMALL</b>  <b>A15</b>
DRAWING NO	



Hestan Commercial Corporation

3375 E. La Palma Ave.

Anaheim, CA 92806

(888) 905-7463

RETAIN THIS FOR FUTURE REFERENCE