

# L7224U

# Oil Electronic Aquastat® Controller

## INSTALLATION INSTRUCTIONS

### APPLICATION

The EnviraCOM™ enabled L7224U Oil Electronic Aquastat® Controller provides electronic temperature sensing in a UL limit-rated controller with a single sensing probe. The L7224U controls the circulator, oil burner and boiler temperature.

The L7224U is "Outdoor Temperature Reset" ready, which is enabled when connected to the Outdoor Reset Module. This option is intended for all applications except for tankless coil systems for domestic hot water.

The L7224U replaces the L8124A, L8124C, L7124U, L7148A, L7248A,C, L7224A,C, and L8148A controllers and is intended for residential applications.

**IMPORTANT:**

*Use of Outdoor Temperature Reset on a tankless coil application requiring a Low Limit setting may result in limited system effectiveness and reduced efficiency.*

*The L7224U provides status and diagnostic information through an LED display combined with LED lights as well as EnviraCOM communications enabled thermostats and diagnostic tools to enhance the diagnostic process.*

### SPECIFICATIONS

**Electrical Ratings:**

Voltage: 120 Vac, 60 Hz.  
Power: 7 VA maximum at 120 Vac plus external loads.  
Thermostat current: 100 mA nominal at 24 Vac.  
Burner Relay:

7.4 A at 120 Vac Full Load Amperage (FLA);  
44.4 A inrush Locked Rotor Amperage (LRA);  
Less Ignition Load: 360 VA.

**Circulator Relay:**

7.4 A at 120 Vac FLA; 44.4 A inrush LRA.  
Zone Controller (ZC): 7.4 A at 120 Vac FLA;  
44.4 A inrush LRA.

NOTE: All loads combined cannot exceed 2000 VA.

**Environmental Ratings:**

Temperature: -30° F to +150° F (-34° C to +66° C).  
Humidity: 0 to 95% relative humidity, noncondensing.

**Approvals:**

Underwriters Laboratories Inc. Component Recognized.  
Canadian Underwriters Laboratories Inc. Component Recognized.

**Accessories (Ordered Separately):**

W8735S1000 AquaReset™ Outdoor Reset Kit (includes 50022037-002 Outdoor Reset Module and C7089U1006 Outdoor Temperature Sensor)  
W8735S1008 AquaReset™ Domestic Hot Water Kit (includes 50022037-005 Domestic Hot Water Module and 32003971-003 Sensor)  
C7089U1006 Outdoor Temperature Sensor (used with the 50022037-002)  
32003971-003 Temperature Sensor (used with 50022037-005)  
Sensor (See Table 2).  
Sensor Well Clamp 121371AA.  
14,000,485-016 1/4 in. (6.35 mm) diameter, 1-1/4 in. (31.75 mm) length glass cartridge Fuse, 1 A, Slow-Blow.  
120650 Heat Conductive Compound.

**Table 1. Wells for L7224U Controller.**

Part Number	Spud Size in. (mm)	Insertion in. (mm)	Insulation in. (mm)
123869A	1/2 (12.7) NPT	3 (76.2)	1-1/2 (38.1)
123870A	3/4 (19.05) NPT	3 (76.2)	1-1/2 (38.1)

**Table 2. Sensors for L7224U Controller.**

Part Number	Length in. (mm)	Application
50001464-001	12 (304.8)	Well-mounted controls
50001464-002	18 (457.2)	Flush-mounted controls
50001464-003	24 (609.6)	
50001464-004	36 (914.4)	
50001464-005	48 (1219.2)	



# INSTALLATION

## When Installing this Product...

1. Read these instructions carefully. Failure to follow them could damage the product or cause a hazardous condition.
2. Check the ratings given in the instructions and on the product to make sure the product is suitable for your application.
3. The installer must be a trained, experienced service technician.
4. After installation is complete, check out product operation as provided in these instructions.
5. Set High Limit, Low Limit and Differential to the settings recommended by the boiler OEM.
6. Record the maximum High Limit setting from the replaced controller in the text box provided on the cover insert label.
7. Record the High Limit setting at the time of installation in the text box provided on the cover insert label.

## **⚠** WARNING

**Electrical Shock Hazard.**  
**Can cause severe injury, death or property damage.**  
 Disconnect power supply before beginning installation to prevent electrical shock or equipment damage.

## Mounting

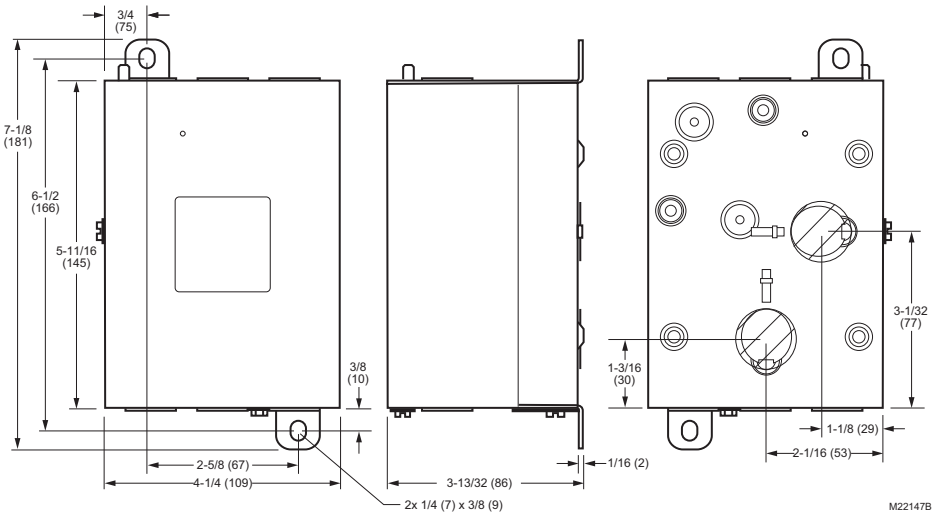
The L7224U can be mounted in a well mount, horizontal or vertical position, or flush mounted remote from the well.

### IMPORTANT

*Immersion well must fit sensing element and sensor must rest against bottom of well.*

## New Installation

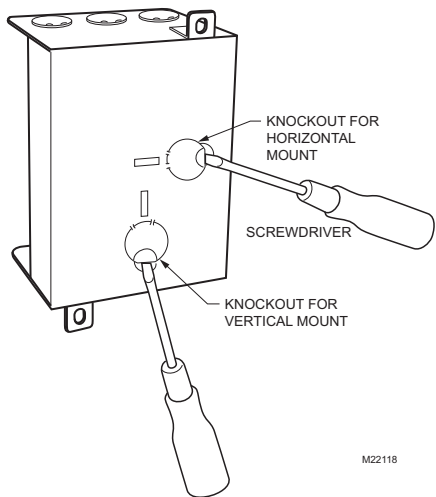
Order well assemblies separately; refer to Table 1 and form no. 68-0040, Immersion Wells and Compression Fittings for Temperature Controllers. Boilers usually have tapings that allow the well to be mounted horizontally so boiler water of average temperature can circulate freely over the well. See Fig. 1 for mounting dimensions.



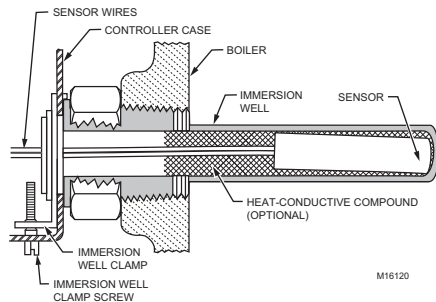
**Fig. 1. L7224U mounting dimensions in inches (mm).**

1. Turn off all power and drain the boiler, if applicable.
2. If no tapping is provided, prepare properly sized and threaded tapping near the top of the boiler.
3. Sparingly coat the well threads with pipe dope.
4. Install the well in the boiler tapping and tighten securely.
5. Refill boiler and check for water leakage.
6. Identify if installation requires vertical or horizontal mounting.
7. Remove the well knockout, for either vertical or horizontal mounting, by carefully prying the knockout from the back of the case, using a flat-bladed screw driver. Refer to Fig. 2.

**NOTE:** Do not attempt to tighten by using the case as a handle.



**Fig. 2. Removing horizontal or vertical mounting knockout.**



**Fig. 3. Position of sensor in immersion well.**

## Flush-Mounted Aquastat Replacement

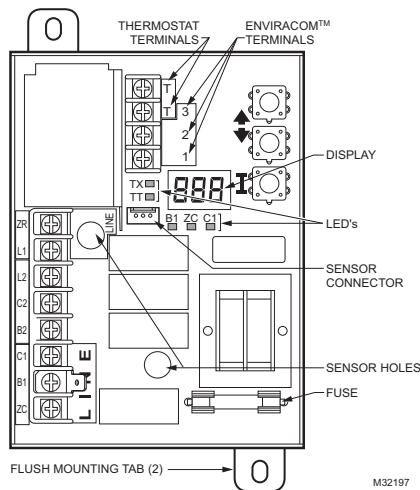
Turn off all power and remove the old controller. Refer to the cover insert of the old controller to identify and tag each external lead as it is disconnected. If the old well is unsuitable for the new installation, remove it and replace it with a suitable new well. If the old well is suitable, use it. See Fig. 1 and 4 for mounting tab location.

8. Loosen but do not remove the well clamp screw.
9. Fit the case into the well so the clamp on the case slides over the flange on the well.
10. Securely tighten the clamp screw.
11. Insert the sensor element into the well until it bottoms. (If necessary, slightly bend the wire inside the case to hold the sensor against the bottom of the well.)
12. Turn power ON.
13. Set High Limit, Low Limit and Differentials to the settings recommended by the boiler OEM. (See OPERATION section, also refer to INSTALLATION steps 6 and 7.)

### IMPORTANT

*Best thermal response is obtained with a well that snugly fits the sensor. Insert the sensor until it rests against the bottom of the well. Use a well of correct length and bend the wiring, if necessary, to hold the bulb against the bottom of the well.*

*If the well is not a snug fit on the sensor, use the heat-conductive compound (furnished with TRADELINE® models) as follows: Fold the plastic bag of compound lengthwise and twist it gently. Then snip off end of bag and work the open end of the bag all the way into the well. Slowly pull out the bag while squeezing it firmly to distribute compound evenly in the well. Bend the wiring, if necessary, to hold the sensor against the bottom of the well and to hold outer end of the sensor in firm contact with the side of the well. See Fig. 3. Wipe excess compound from the outer end of the well.*



**Fig. 4. Location of L7224U flush-mounting tabs and LEDs.**

## Well-Mounted Aquastat Replacement

Turn off all power and remove the old controller. Refer to the cover insert of the old controller to identify and tag each external lead as it is disconnected. If the old well is unsuitable for the new installation, remove it and proceed with instructions for new installation. If the old well is suitable, use it.

1. Loosen, but do not remove, the well clamp screw on the side of the controller case.
2. Position immersion well clamp snugly over the flange of the adapter and tighten the clamp screw.
3. Insert the sensor into the well as shown in Fig. 5. (If desired, distribute the heat-conductive compound in the tube prior to sensor insertion, as described in New Installation.)
4. Make sure sensor is fully seated to bottom of well (Fig. 5). Use a small pencil to measure depth of sensor in well, if necessary.

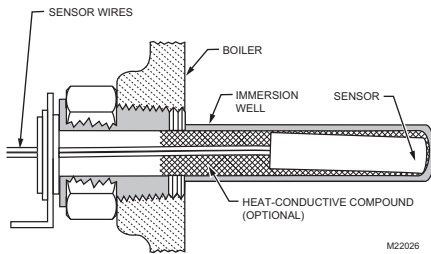


Fig. 5. Replacement sensor installation.

## Replacement Sensor Installation

Turn off all power and carefully disconnect sensor from circuit board by pulling gently on the connector.

1. Gently pull sensor from thermo well and through circuit board by pulling on leadwires.
2. Carefully align replacement sensor with hole in circuit board and guide through Aquastat case and into well. Refer to Fig. 5.
3. Make sure sensor is fully seated to bottom of well (see Fig. 5). Use a small pencil to measure depth of sensor in well, if necessary.
4. Connect sensor to circuit board by pressing connector on sensor unit into mating connector on circuit board (refer to Fig. 6).
5. For remote sensors (flush mounted Aquastat) be sure to use the 121371AA clamp to securely hold sensor in place. See Accessories.

## WIRING

### ⚠ WARNING

#### Electrical Shock Hazard.

#### Can cause serious injury or death.

Disconnect power supply before making wiring connections to prevent electrical shock or equipment damage.

All wiring must comply with local electrical codes and ordinances. Do not exceed the specifications in the Application section when wiring this controller.

### IMPORTANT

The terminals on these Aquastat Controllers are approved for use with copper wire only.

Follow the appropriate wiring diagrams shown on the inside of the front cover of the L7224U or in Fig. 9–13.

Refer to Fig. 6 for Connections for the optional Outdoor Reset Module and the Domestic Hot Water (DHW) module. In subsequent wiring diagrams these modules will be displayed with a dotted line signifying that they are optional.

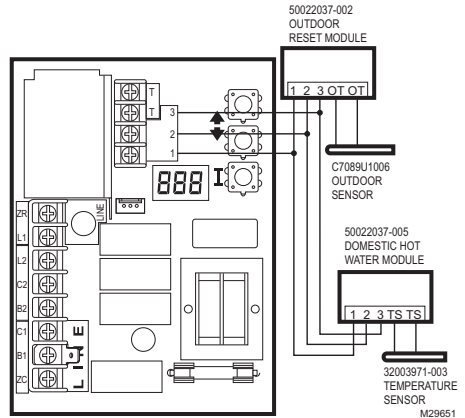


Fig. 6. Wiring the Outdoor Reset Module and the Domestic Hot Water Module.

## OPERATION

### General

The L7224U Oil Electronic Aquastat Controller is a primary safety limit-rated device designed for use with oil fired boilers with line voltage burners and circulators. Many boilers do not include wiring or controller compartments as part of the design, but are provided with an integral, replaceable, immersion well that is the mounting hardware for the Aquastat Controllers. Wiring to the other controllers is done through flexible metal conduit.

For boilers that do include a remotely (flush) mounted controller, the wiring may be completed with conduit or routed behind the boiler sheet metal.

A separate electromechanical High Limit is not required in a system that uses this controller to meet Underwriters Laboratories Inc. requirements for oil-fired boiler assemblies, UL 726.

On the L7224U, the High Limit, High Limit Differential, Low Limit, and Low Limit Differential and Anti-Short Cycle time can be adjusted to the setting recommended by the boiler OEM.

The overall range of the High Limit is from 130° F to 240° F (54° C to 116° C). Select devices may have different ranges. Some models have limited ranges on the High Limit setpoint; this limited range is listed on the device label.

The range of the Low Limit is from 110° F to 220° F (43° C to 104° C). Select devices may have different ranges. The range of the Anti-Short Cycle time is from OFF to five minutes.

If a 50022037-002 "Outdoor Reset Module" is installed, the reset curve can be set by entering the minimum outdoor temperature, minimum (water or boiler) temperature, and maximum outdoor temperature on the 3-digit display. The range of the minimum outdoor temperature is from -40°F to 40°F (-40°C to 4.4°C) and has a default setting of 0°F (-18°C). The range of the maximum outdoor temperature is from 30°F to 70°F (-1°C to 21°C) and has a default setting of 40°F (4.4°C). The range of the minimum (water or boiler) temperature is from 80°F to 180°F (27°C to 82°C) and has a default setting of 130°F (54°C). See the "Outdoor Reset Module" Installation Instructions (form number 69-2335) for more information on setting the boiler reset curve and all related parameters.

The L7224U is designed for use with 24 Vac electronic and electromechanical thermostats or EnviraCOM™ enabled thermostats, and have screw-type terminals for easy field connection.

To replace a L8148A,C L7148A or L7248A,C controller, the Low Limit function must be disabled; see Adjusting Settings for directions.

## Adjusting Settings

To discourage unauthorized changing of Aquastat settings, a procedure to enter the **ADJUSTMENT** mode is required. To enter the **ADJUSTMENT** mode, press the

**UP**, **DOWN**, and **I** buttons (refer to Fig. 9) simultaneously for three seconds. Press the **I** button until the feature requiring adjustment is displayed:

Display	Definition
HL_	High Limit.
Hdf	High Limit Differential.
LL_	Low Limit.
Ldf	Low Limit Differential.
duu	ZR input configured as external Domestic Hot Water (DHW) request (ON/OFF)
ASC	Anti Short-Cycle Timeout (seconds); "OFF" is disabled.
otL	Outdoor Temperature Low (minimum) parameter for the outdoor reset curve (F or C)*
otH	Outdoor Temperature High (maximum) parameter for outdoor reset curve (F or C)*
btL	Boiler Temperature Low (minimum) parameter for outdoor reset curve*
bP	Boost Period (minutes). "OFF" is displayed if Boost is inactive*
bS	Boost step (F or C) shown only if Boost is active (bP=ON)*
UUS	Warm Weather Shutdown Temperature (F or C)*
F-C	Temperature units (F or C)

\* Settings available for adjustment on the 3-digit display only if the AquaReset Outdoor Reset Module is installed. Then press the **UP** and/or **DOWN** buttons to move the set point to the desired value. After 60 seconds without any button inputs, the controller will automatically return to the **RUN** mode.

To use the L7224U in a cold start boiler application, disable the Low Limit function by pressing the **UP** arrow button, **DOWN** arrow button and **I** button simultaneously for three seconds. Then push the **I** button until **LL\_** is displayed. Then press the down arrow button until **OFF** is displayed.

## Display

In the **RUN** mode, the Aquastat will flash "bt" (boiler temp) followed by the temperature (i.e., 220), followed by °F or °C.

To read boiler settings, press the **I** key to read the parameter of interest. For example, press **I** and **HL** (High Limit) is displayed, followed by a three-digit number, i.e., 220, followed by °F or °C. Pressing the **I** button again will display the **LL** (Low Limit) followed by a three-digit number and the corresponding degree designator. See Fig. 7 for explanation of display readout.

After approximately 60 seconds without any key presses, the display will enter a dim display mode. To return to the bright display mode, simply press and release any key.

Text	Description	Display Shows
Err	Error Code (if one is present)	Err
bt	Boiler Temperature	bt
HL	△ High Limit	HL
HdF	High Limit Differential	HdF
LL	Low Limit (L7224 only)	LL
LdF	Low Limit Differential (L7224 only)	LdF
tt	Local Thermostat Status	tt
ttE	EnviraCOM Thermostat Status	ttE
brn	B1 (Burner) output (ON or OFF)	brn
Cir	C1 (Circulator) output (ON or OFF)	Cir
ZC	ZC (Zone Control) output (ON or OFF)	ZC
Zr	ZR (Zone Request) Call for HEAT (ON or OFF)	Zr
ELL	External Low Limit Enabled (L7248L only)	ELL
duu	ZR Configured as Domestic Hot Water Request (L7224, L7248L only)	duu
ASC	Anti Short-Cycle Timeout	ASC
bSP	△ Boiler Setpoint	bSP
dhc	△ DHW Module Connected (YES or NO)	dhc
ot	△ Outdoor Temperature	ot
otL	△ Outdoor Temperature Low	otL
otH	△ Outdoor Temperature High	otH
btL	△ Boiler Temperature Low	btL
bP	△ Boost Period	bP
bS	△ Boost Step	bS
UUS	△ Warm Weather Shutdown Temperature	UUS
°F	Units are displayed in degrees Fahrenheit	°F
°C	Units are displayed in degrees Celsius	°C
OFF	Input or Output is OFF	OFF
On	Input or Output is ON	On

△ DISPLAY SHOWS LOCAL SETTING; NOT THE SETTING AS MODIFIED BY AN EXTERNAL ENVIRACOM CONTROL.

△ SETTINGS ARE VIEWABLE ONLY IF THE OUTDOOR RESET MODULE AND OUTDOOR TEMPERATURE SENSOR ARE INSTALLED AND FUNCTIONING PROPERLY.

△ SETTINGS ARE VIEWABLE ONLY IF THE DOMESTIC HOT WATER MODULE AND SENSOR ARE INSTALLED AND FUNCTIONING PROPERLY.

M29552

Fig. 7. Explanation of display readout.

\*Settings viewable on the 3-digit display only if the "Outdoor Reset Module" is installed.

## Operation

The L7224U can be in any of four operational states: Normal, High Limit, Low Limit and Error. The controller moves back and forth from High Limit to Normal to Low Limit state as part of normal operation. The operating states are:

1. Normal: Boiler temperature went below the High Limit setting (minus the Differential) and has not exceeded the High Limit setting; or, the boiler temperature went above the Low Limit setting and has not gone below the Low Limit setting (minus the Differential).
2. High Limit: Boiler temperature went above the High Limit setting and has not dropped below the High Limit setting (minus the Differential).
3. Low Limit: Boiler temperature went below the Low Limit setting (minus the Low Limit Differential) and has not gone above the Low Limit setting.
4. Error: The controller has detected an error condition (e.g., open sensor) and has shut down the burner output. The Zone Control (ZC) output is energized. The controller continues to monitor the system and automatically restarts if the error condition clears. Refer to Table 4-6.

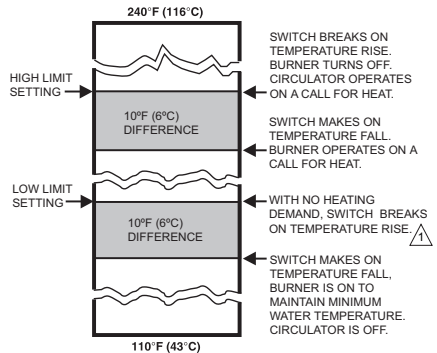
The operating sequence for the L7224U is shown in Table 3.

## High Limit Controller

The High Limit opens and turns off the burner when the water temperature reaches the setpoint. The High Limit automatically resets after the water temperature drops past the setpoint and through the adjustable Differential.

## Low Limit and Circulator Controller

On a temperature rise, the burner circuit breaks and the circulator circuit makes (assuming no call for heat is present) at the Low Limit setpoint. On a temperature drop of 10° F (6° C) below the Low Limit setpoint (with the adjustable Differential at the minimum setting of 10° F (6° C)), the burner circuit makes and the circulator circuit breaks. Refer to Fig. 7.



△ WHEN WATER REACHES LOW LIMIT SETTING, THE BURNER SHUTS OFF OR THE CIRCULATOR PUMP STARTS (WHEN CALLING FOR HEAT).

M23365

Fig. 8. Setpoints and differentials.

**NOTE:** Setting the Low Limit above the High Limit less the High Limit Differential is not allowed as improper circulator and Zone Control functions could result.

## Anti Short-Cycle Feature

The Anti Short-Cycle feature allows for field selection of a minimum delay time between burner cycles. Should a call for heat occur following the end of the previous heat cycle and before the Anti-Short Cycle delay time is expired, the circulator will be allowed to run, but the burner will be held off until the time has elapsed.

**NOTE:** The Anti Short-Cycle feature is blocked if DHW demand occurs. DHW demands are serviced immediately, without any delay.

**NOTE:** When the Aquastat is connected to the oil primary and/or thermostat via the EnviraCOM bus, the Anti Short-Cycle time does not apply to recycle events such as loss of airflow or flame. It applies only to loss of demand.

## ZR-Domestic Hot Water (DHW) Request

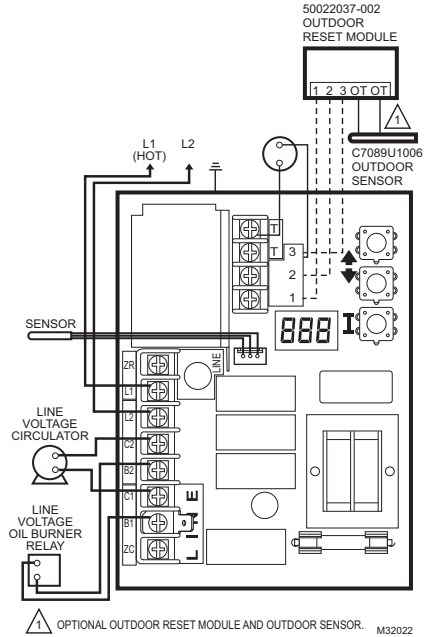
The ZR terminal on the L7224U can be selected to service an indirect water heater heat request. This parameter is set via the 3 digit display (see Adjusting Settings section of this document). A heat request via the ZC terminal will have priority over all other features such as the Anti-Short Cycle feature or those enabled by the Outdoor Reset Module (See form69-2235 for more information).

## CHECKOUT

Put the system into operation and observe at least one complete cycle to make sure that the controller operates properly. See TROUBLESHOOTING section to use LED to assist in determining system operation.

## TROUBLESHOOTING

When attempting to diagnose system performance, reference to the LED display can help to identify specific areas not working properly. The LED display will scroll **Err**, followed by a digit (1-8). Refer to Table 7 for a description of each error and suggested actions and Table 8 for a troubleshooting guide.



**Fig. 9. L7224U single zone connections.**

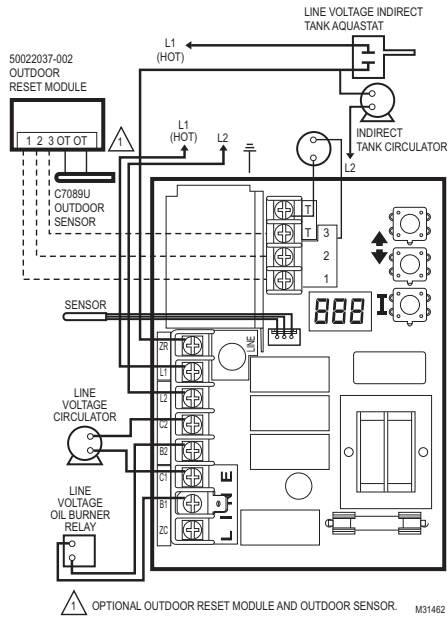


Fig. 10. L7224U single heat zone with indirect water tank and circulators. Optional outdoor reset module.

Table 3. L7224/L7248 Controller Operating Sequence.

Action	System Response
Thermostat calls for heat.	Circulator starts when water temperature is above Low Limit setting (if applicable). Boiler temperature is checked. Burner starts when water temperature is below High Limit setting, less differential. If Anti-short Cycle Time is enabled, the burner does not start until the set Anti-short Cycle Time between cycles expires after the previous call for heat was satisfied.
Boiler temperature exceeds the High Limit.	Burner is turned off. Burner restarts when the water temperature drops below the High Limit setting minus the Differential.
Thermostat is satisfied.	Circulator and burner turn off.
Boiler temperature drops below the Low Limit setting minus the differential (if applicable).	Burner is turned on, Circulator is turned off. Burner stops when the water temperature exceeds the Low Limit setting. Power to Zc is removed.
Error conditions 1-5.	If an error condition is detected, all outputs except ZC are shut down. Burner is off. The controller continues to function and restarts when error is corrected. During the error check sequence, the system checks for drift in the sensor and corrosion in the connections.
Error condition 6.	EnviraCOM communication is not available.
Error condition 7.	The controller has reset the High Limit, Low Limit and Differential Setting to a default setting and will continue to run at those settings. Performance of the system will be degraded.
Error condition 8.	If the error condition is detected, all outputs except ZC are shut down. Burner is off. The controller continues to function and restarts when all three user keys have been pressed longer than 60 seconds.
Error condition 9*.	System continues to run with no outdoor reset functionality
Error condition 10*.	System continues to run with outdoor reset parameters enabled as programmed. Error cleared automatically.
Error condition 11*.	System continues to run with boiler temp set to High Limit.

\* Error condition only available when the Outdoor Reset Module is installed.



**Table 4. L7224 Controller Operating Sequence with multiple zones connected through the ZR terminal**

Action	System Response
Zone Request (ZR) terminal is connected to L1 (Zone calls for heat).	Boiler temperature is checked. Burner starts when water temperature is below High Limit setting. Anti Short-Cycle Time is applied, see Table 3.
Boiler temperature exceeds the High Limit.	Burner is turned off. Burner restarts when the water temperature drops below the High Limit setting minus the Differential.
Zone Request input is de-energized (Zones are satisfied).	Burner turns off.
Boiler temperature drops below the Low Limit setting minus the differential (if applicable).	Burner turns on and Zone Control is de-energized. Burner turns off and Zone Control is re-energized when the water temperature exceeds the Low Limit setting.

**Table 5. Controller Operating Sequence with External Low Limit device connected through the ZR terminal.**

Action	System Response
Zone Request (ZR) terminal is connected to L1 (External Low Limit call for heat).	Boiler temperature is checked. Burner starts when water temperature is below High Limit setting. Circulator turns off.
Boiler temperature exceeds the High Limit.	Burner is turned off. Burner restarts when the water temperature drops below the High Limit setting minus the Differential.
Zone Request input is de-energized (External Low Limit is satisfied).	Burner is turned off.

**Table 6. L7224 Controller Operating Sequence with Domestic Hot Water connected through the ZR terminal.**

Action	System Response
Zone Request (ZR) terminal is connected to L1 (Domestic Hot Water calls for heat).	Boiler temperature is checked. Burner starts when water temperature is below High Limit setting.
Boiler temperature exceeds the High Limit.	Burner is turned off. Burner restarts when the water temperature drops below the High Limit setting minus the Differential.
Zone Request input is de-energized (Domestic Hot Water is satisfied).	Burner is turned off.

Table 7. LED Error Codes.

Aquastat Error Code	Cause/Action	EnviraCOM Alarm
Err1	Aquastat sensor fault; check water sensor.	18
Err2	ECOM fault; check EnviraCOM™ wiring.	18
Err3	Excessive electrical noise or frequency out of range. Hardware fault; replace controller.	18, 58
Err4	B1 fault; check B1 wiring/voltage.	64
Err5	Low Line; check L1-L2, 110 Vac.	59
Err6 <sup>a</sup>	Warning: Fuse; check ECOM wires, replace fuse.	92
Err7	Warning: EEPROM, HL, LL, Hdf, Ldf; reset to default values.	N/A
Err 8 <sup>b</sup>	Repeated B1 fault (voltage present at B1 when output is turned off); check B1 wiring/voltage.	25
Err9 <sup>a</sup>	Warning: Outdoor Reset System failure; communication to Outdoor Reset Module lost, Outdoor Reset Module failure, multiple outdoor temperature sensors detected on the bus, or outdoor temperature sensor failure. Check EnviraCOM wiring (1, 2, 3), check sensor wiring.	50, 53, 149
Err 10 <sup>a</sup>	Warning: Boost Failure; Boost Mode active at least once per cycle for the last 60 consecutive cycles. Check Outdoor Reset curve settings.	150
Err 11 <sup>a</sup>	DHW Module/Sensor failure; communication to DHW Module lost, DHW Module failure, or temperature sensor failure. Check EnviraCOM wiring (1, 2, 3), check sensor wiring.	146, 147, 148

<sup>a</sup> Warnings are generated to enunciate the system is not operating optimally, but the Aquastat is still operating and maintaining boiler temperature. In the instance where an Outdoor Reset Module is used, the warnings may indicate a reset curve setting error one or more features is not running optimally, and the Aquastat is reverting to default settings or has stopped running the Outdoor Reset algorithms. The warnings are cleared when the issue(s) is resolved.

<sup>b</sup> To clear Err 8 condition, depress and hold all three user keys simultaneously for 60 seconds. Err 8 condition clears and display returns to normal. Err 8 condition is designed to catch welded relays on the Aquastat and will normally only occur near end of life for the control. If Err 8 condition has occurred early in the controls life, be sure to check for voltage feedback to B1 when B1 should be off and check current draw on b terminal to be sure burner is not drawing excessive current. Err 8 condition will keep repeating if B1 fault is not cleared.

## WARNING

**Electrical Shock Hazard.**  
**Can cause severe injury or death.**

All circuits must have a common disconnect to prevent the possibility of electrical shock.

Table 8. Troubleshooting Guide<sup>a</sup>.

System Condition	Diagnostic Condition	Check	Action
Boiler is cold, house is cold.	Display is OFF.	120 Vac system power.	Turn system power on.
	Display is ON. TT-LED is OFF.	24 Vac T-T.	No 24 V; replace controller.
	Display is ON. TT-LED is OFF.	24 V present; disconnect thermostat, short T-T.	Boiler starts, check wiring and thermostat.
	Display is ON. TT-LED is ON. B1 LED is ON.	120 Vac at B1-B2.	<ul style="list-style-type: none"> <li>If no, replace controller.</li> <li>If yes, check burner and wiring.</li> </ul>
	Display is ON. TT-LED is ON.	Refer to <b>Err</b> on display.	—
Boiler is hot, house is cold.	Display is ON. TT-LED is ON. C1 LED is ON.	120 Vac at C1-C2.	<ul style="list-style-type: none"> <li>120 Vac at C1-C2, check wiring to pump.</li> <li>Wiring ok, is pump running? If not, replace the pump.</li> <li>If pump is running, check for trapped air or closed zone valves.</li> </ul>
	Display is ON. TT-LED is ON. C1 LED is OFF. ZC LED is ON <sup>b</sup> .	Boiler below the Low Limit temperature, wait for boiler to go above Low Limit temperature.	—
	Display is ON. TT-LED is ON. ZC LED is OFF <sup>c</sup> .	Boiler above LL? If yes, check for 120 Vac between ZC and L2.	<ul style="list-style-type: none"> <li>If no 120 Vac, replace controller.</li> <li>If yes, check zone relays, circulators and wiring.</li> </ul>
Boiler is hot, no hot potable water			<ul style="list-style-type: none"> <li></li> </ul>

<sup>a</sup> Refer to Fig. 7 for Display and LED locations.

<sup>b</sup> ZC LED ON indicates ZC terminal power is OFF.

<sup>c</sup> ZC LED OFF indicates ZC terminal power is ON.

L7224U OIL ELECTRONIC AQUASTAT® CONTROLLER

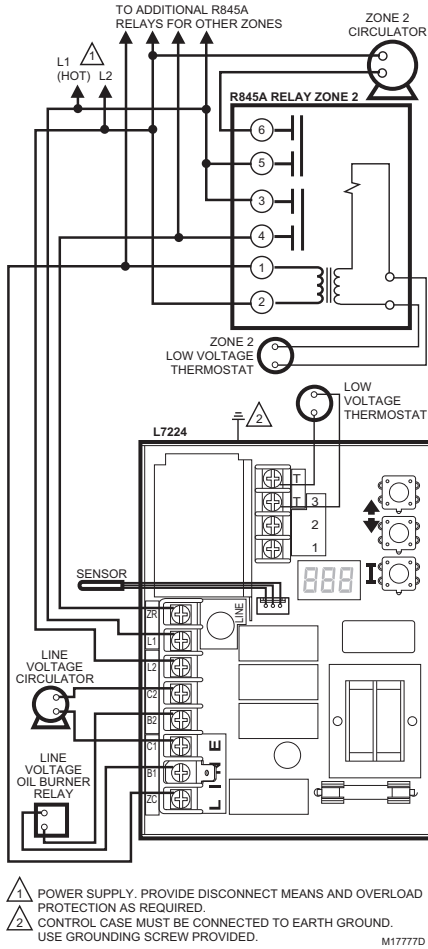
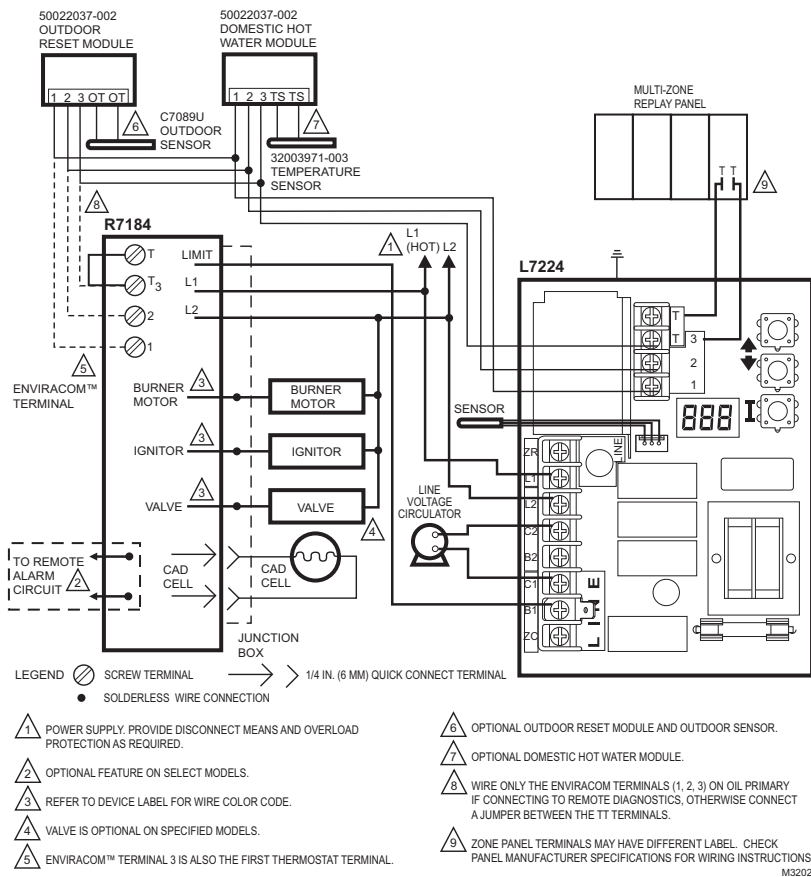


Fig. 11. L7224U multizone system with circulator connections.



**Fig. 12. L7224U multizone system with Outdoor Reset and Domestic Hot Water Modules (indirect tank applications).**

L7224U OIL ELECTRONIC AQUASTAT® CONTROLLER

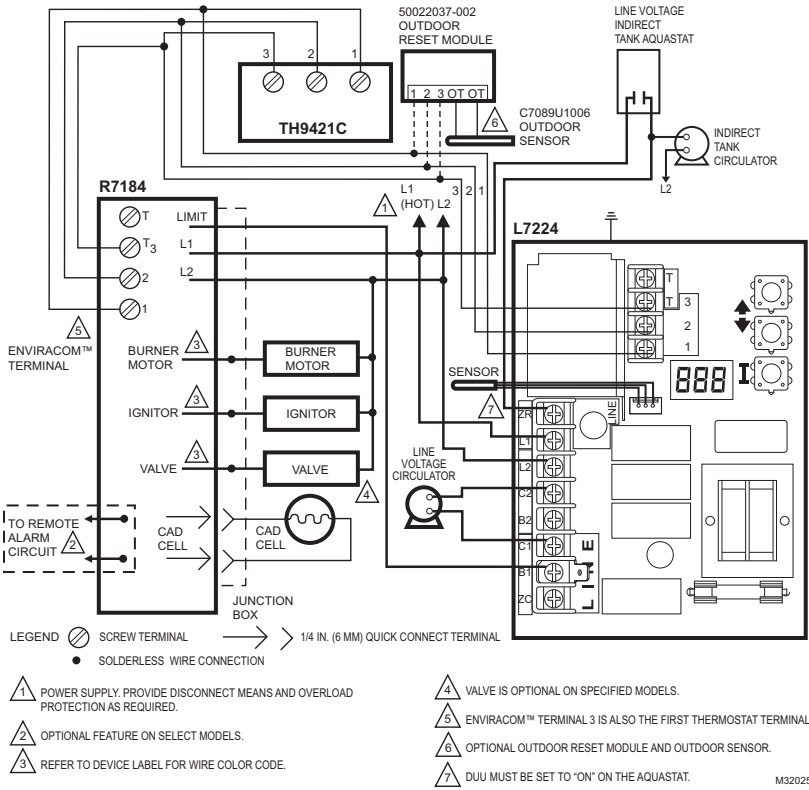


Fig. 13. L7224U single zone system with circulator, indirect water tank and EnviraCOM™ thermostat.

# MATERIAL SAFETY DATA SHEET

## Section 1. Product And Company Identification

Product Name: Heat Conductive Compound

MSDS ID: DS9021

Synonyms: MS1699

Product Use: Heat conductive material used to enhance contact and heat transfer in temperature sensor applications.

Manufacturer: Honeywell Inc.  
1985 Douglas Drive North  
Minneapolis, MN 55422.

Date Released: October 8, 1999

Customer Response Center: 800-328-5111

Emergency Telephone Information: 888-809-3787

NFPA Ratings:

Health 0; Flammability 1; Reactivity 0; Personal Protection B

## Section 2. Composition, Information on Ingredients

Ingredient	CAS Number	Percent	PEL	TVL
#2 Lithium Complex Grease (70%):				
Mineral Oil	64742-65-0	35-50	5 mg/m <sup>3</sup>	5 mg/m <sup>3</sup>
Mineral Oil	64742-62-7	20-25	5 mg/m <sup>3</sup>	5 mg/m <sup>3</sup>
Lithium Hydrostearate/Sebacate Complex	68815-49-6	4-9	—	—
Zinc Alkyldithiophosphate	68649-42-3	0-2	—	—
Aluminum Paste (30%):				
Aluminum, as Al	7429-90-5	20-25	15 mg/m <sup>3</sup>	10 mg/m <sup>3</sup>
Aliphatic Petroleum Distillates	8052-41-3	10-15	2900 mg/m <sup>3</sup>	525 mg/m <sup>3</sup>
Stearic Acid	57-11-4	1-2	—	—
Aromatic Petroleum Distillates	64742-95-6	1-2	5 mg/m <sup>3</sup>	5 mg/m <sup>3</sup>

Additional Information: Part No. 120650 (0.5 oz tube); Part No. 107408 (4 oz can); Part No. 197007 (5 gallon container). May also contain minute amounts of lithium and molybdenum lubricant compounds.

## Section 3. Hazard Identification

### Acute Health Effects:

Skin: Excessive contact may cause skin irritation and dermatitis.

Eye: Direct contact with eye will cause irritation.

Inhalation: No adverse effects are expected.

Ingestion: Ingestion of product may cause nausea, vomiting and diarrhea.

Skin Contact: Remove excess with cloth or paper. Wash thoroughly with mild soap and water. Obtain medical attention if irritation develops and persists.

Ingestion: Contact physician or local poison control center *immediately*.

Inhalation: Remove patient to fresh air and obtain medical attention if symptoms develop.

### Chronic Health Effects:

Existing skin rash or dermatitis may be aggravated by repeated contact.

OSHA Hazard Classifications: None.

Carcinogenicity: Not considered to be a carcinogen by either OSHA, NTP, IARC, or ACGIH.

## Section 5. Fire Fighting Measures

Material Flash Point: > 383° F (195° C). Will burn if exposed to flame.

Extinguishing Media: Carbon dioxide, dry chemical or foam.

Special Fire Fighting Procedures: None.

Explosion Hazards: None. Aluminum powder can react with water to release flammable hydrogen gas. In the form of this product, this reaction is not expected.

## Section 4. First Aid Measures

Eye Contact: Flush eyes with water for 15 minutes. Remove any contact lenses and continue to flush. Obtain medical attention if irritation develops and persists.

## Section 6. Accidental Release Measures

Scrape up and dispose of as solid waste in accordance with state and federal regulations.

## Section 7. Handling and Storage

Store in dry place. Keep container closed when not in use.

## Section 8. Exposure Controls and Personal Protection

Ventilation: No special ventilation is required when working with this product.

Respiratory Protection: None required.

Eye Protection: Not normally required. However, use chemical safety goggles or faceshield if potential for eye contact exists, especially if material is heated.

Hand/Clothing Protection: Not normally required. Protective gloves and clothing are recommended, as material is difficult to remove from skin and clothing.

Other Protective Equipment: None required.

## Section 9. Physical and Chemical Properties

Appearance/Odor: Aluminum color, semi-solid material, pleasant odor.

Solubility in Water: Negligible.

Specific Gravity: 0.86.

## Section 10. Stability and Reactivity

Stability: Stable.

Reactivity: Hazardous polymerization will not occur.

Incompatibilities: Strong oxidizing agents and halogens.

Hazardous Decomposition Products: Carbon dioxide, carbon monoxide.

## Section 11. Toxicology Information

No data available.

## Section 12. Ecological Information

Chemical Fate Information: Hydrocarbon components will biodegrade in soil; relatively persistent in water.

## Section 13. Disposal Consideration

Dispose of as solid waste in accordance with local, state and federal regulations.

## Section 14. Transportation Information

DOT Classification: Not classified as hazardous.

## Section 15. Regulatory Information

SARA Title III Supplier Notification: Include in Section 311/312 inventory reports if amounts exceed 10,000 pounds. Aluminum compounds are subject to the reporting requirements under Section 313 of Emergency Planning and Community Right-To-Know Act of 1986 (40 CFR 372). Ingredients listed in TSCA Inventory.

## Section 16. Other Information

This information is furnished without warranty, expressed or implied, except that it is accurate to the best of our knowledge.

### Automation and Control Solutions

Honeywell International Inc.  
1985 Douglas Drive North  
Golden Valley, MN 55422

Honeywell Limited-Honeywell Limitée  
35 Dynamic Drive  
Toronto, Ontario M1V 4Z9  
customer.honeywell.com



# L7224U Régulateur à mazout électronique Aquastat®

## NOTICE D'INSTALLATION

### APPLICATION

Le régulateur électronique à mazout électronique EnviraCOM™ compatible L72424U permet une détection électronique de la température grâce à une seule sonde de détection intégrée dans un régulateur homologué UL. Le L7224U commande le circulateur, le brûleur d'huile et la température de chaudière.

Le L7224U est un « dispositif à réarmement de la température extérieure » qui s'active lors du branchement au module de réarmement d'extérieur. Cette option est destinée à toutes les applications excepté les systèmes de serpentin sans réservoir pour eau chaude résidentielle.

Le L7224U remplace les régulateurs L8124A, L8124C, L7124U, L7148A, L7248A,C, L7224A,C et L8148A et est destiné aux applications résidentielles.

#### IMPORTANT

*L'utilisation d'un système de réarmement d'extérieur sur les systèmes à serpentin sans réservoir nécessitant un réglage basse limite peut résulter en une réduction de l'efficacité du système.*

*Le L7224U fournit l'information sur le statut et le diagnostic sur l'afficheur à cristaux liquides combinés à des voyants DEL et à des thermostats compatibles EnviraCOM et des outils diagnostiques pour améliorer les processus diagnostiques.*

### CARACTÉRISTIQUES TECHNIQUES

#### Caractéristiques électriques :

Tension : 120 V c.a., 60 Hz.

Alimentation : 7 VA maximum à 120 V c.a. plus charges externes.

Thermostat courant : 100 mA nominaux à 24 V c.a.

Relais de brûleur :

Courant pleine charge à 7,4 A à 120 V c.a.;

Tension de rotor bloqué de 44,4 A à 1,2 A avec appel à pleine charge;

Moins la charge d'allumage : 360 VA.

Relais de régulateur :

7,4 A à pleine charge à 120 V c.a.; 44,4 A à l'appel à pleine charge.

Régulateur de zone (ZC) : 7,4 A à 120 V c.a. à pleine charge;

44,4 A à l'appel à rotor bloqué.

REMARQUE : Toutes les charges combinées ne peuvent pas dépasser 2000 VA.

#### Caractéristiques environnementales :

Température : -34 à +66 °C (-30 à 150 °F).

Humidité : 0 à 95 % d'humidité relative, sans condensation.

#### Homologations :

Composants approuvés Underwriters Laboratories Inc.  
Composants approuvés Canadian Underwriters Laboratories Inc.

#### Accessoires (commandés séparément) :

Nécessaire de réarmement d'extérieur AquaReset™

W8735S1000 (inclut le module de réarmement d'extérieur 50022037-002 et le capteur de température d'extérieur C7089U100)

Nécessaire d'eau chaude résidentiel AquaReset™

W8735S1008 (inclut le module d'eau chaude résidentiel 50022037-005 et le capteur 32003971-003)

C7089U1006 Capteur de température d'extérieur (utilisé avec 50022037-002)

32003971-003 Capteur de température (utilisé avec 50022037-005)

Capteur (voir le Tableau 2).

Capteur de pince de puits 121371AA.

14 000, 485-016 1/4 po, diamètre (6,35 mm), fusible à cartouche en verre d'une longueur de 1 1/4 po (31,75 mm), 1 A, à action retardée.

120650 Composé thermoconducteur.

Tableau 1. Puits pour régulateur L7224U.

Numéro de pièce	Taille d'orifice po (mm)	Insertion po (mm)	Isolation po (mm)
123869A	1/2 (12,7) NPT	3 (76,2)	1 1/2 (38,1)
123870A	3/4 (19,05) NPT	3 (76,2)	1 1/2 (38,1)

Tableau 2. Capteurs pour régulateur L7224U

Numéro de pièce	Longueur po (mm)	Application
50001464-001	12 (304,8)	Commandes montées sur puits
50001464-002	18 (457,2)	Commandes encastrées
50001464-003	24 (609,6)	
50001464-004	36 (914,4)	
50001464-005	48 (1219,2)	

## INSTALLATION

### Lors de l'installation du produit...

1. Lire attentivement ces instructions. Le fait de ne pas les suivre risque d'endommager le produit ou de constituer un danger.
2. Vérifier les caractéristiques nominales indiquées dans les instructions et sur le produit, et s'assurer que celui-ci correspond bien à l'application prévue.
3. L'installateur doit être un technicien d'expérience ayant reçu la formation pertinente.
4. Une fois l'installation terminée, vérifier le fonctionnement du produit comme l'indiquent les présentes instructions.
5. Placer la Limite haute, la Limite basse et le Différentiel aux réglages recommandés par le fabricant de la chaudière.
6. Inscire le réglage Limite haute maximale du régulateur remplacé dans la zone de texte fournie sur l'étiquette du couvercle à insert.

7. Inscire le réglage Limite haute au moment de l'installation dans la zone de texte fournie sur l'étiquette du couvercle à insert.

## ⚠ AVERTISSEMENT

**Risque de choc électrique.**

**Peut provoquer de graves blessures, voire mortelles ou des dommages à la propriété.**  
Débrancher l'alimentation en courant avant de commencer l'installation pour prévenir des chocs électriques ou des dommages matériels.

## Montage

Le L7224U peut être monté sur puits, position horizontale ou verticale, ou montage encastré à distance du puits.

### IMPORTANT

*Le puits d'immersion doit être compatible avec l'élément de détection et le capteur doit reposer contre le bas du puits.*

## Nouvelle installation

Commander les ensembles de puits séparément; consulter le Tableau 1 et le formulaire n° 68-0040, Puits d'immersion et raccords de compression pour les régulateurs de température. Les chaudières disposent habituellement de deux prises qui permettent le montage horizontal du puits pour que l'eau de la chaudière de température moyenne puisse circuler librement sur le puits. Voir la Fig. 1 pour connaître les dimensions de montage.

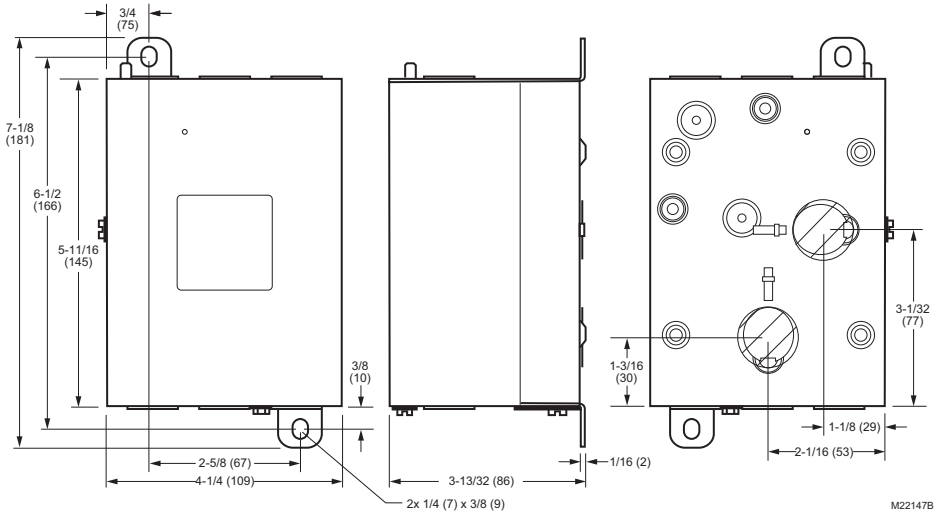


Fig. 1. L7224U, dimensions de montage en po (mm).

1. Couper l'alimentation en courant et vidanger la chaudière, le cas échéant.
2. Si aucune prise n'est fournie, en ménager une à la dimension et au filetage appropriés près du dessus de la chaudière.
3. Recouvrir les filets du puits d'une petite quantité de pâte à joint.

REMARQUE : Ne pas tenter de serrer en utilisant le boîtier comme poignée.

4. Installer le puits sur la prise de la chaudière en serrant fermement.
5. Remplir de nouveau la chaudière et s'assurer de l'absence de fuites.
6. Identifier si l'installation requiert un montage vertical ou horizontal.
7. Retirer l'entrée défonçable du puits, pour un montage vertical ou horizontal, en soulevant prudemment l'entrée défonçable de l'arrière du boîtier, en utilisant un tournevis à lame plate. Se reporter à la Fig. 2.

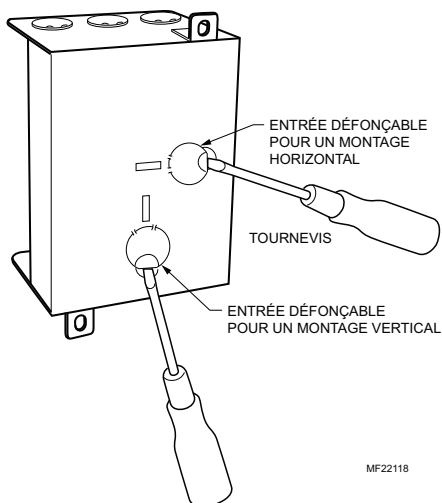


Fig. 2. Dépose de l'entrée défonçable pour un montage horizontal ou vertical.

8. Desserrer, mais ne pas retirer la vis de l'attache du puits.
9. Installer le boîtier dans le puits de manière à ce que l'attache du boîtier glisse sur la bride du puits.
10. Serrer fermement la vis de l'attache.
11. Insérer le capteur à élément jusqu'au fond du puits. (Au besoin, plier légèrement le fil à l'intérieur du boîtier pour que le capteur reste au fond du puits.)
12. Mettre l'appareil en marche.
13. Placer la Limite haute, la Limite basse et le Différentiel limite basse aux réglages recommandés par le fabricant de la chaudière. (Consulter les étapes d'installation 6 et 7 de la section traitant du FONCTIONNEMENT.)

#### IMPORTANT

Le puits doit être bien ajusté dans le capteur pour obtenir une meilleure réponse thermique. Insérer le capteur jusqu'à ce qu'il repose au fond du puits. Utiliser un puits d'une longueur appropriée et plier le fil, au besoin, pour que le bulbe reste au fond du puits.

Si le capteur n'épouse pas parfaitement la forme du puits, utiliser le composé thermoconducteur (fourni avec les modèles TRADELINE®) en procédant comme suit : plier le sac de plastique contenant le composé thermoconducteur sur le sens de la longueur et l'enrouler doucement. Couper ensuite l'extrémité du sac et la placer tout au fond du puits. Tirer doucement sur le sac pour le retirer du puits tout en le comprimant

fermement de manière à distribuer uniformément le composé dans le puits. Plier le fil, au besoin, pour que le capteur reste au fond du puits et que la paroi externe du capteur reste en contact avec la paroi interne du puits. Consulter la Fig. 3. Essuyer l'excès de composé de l'extrémité extérieure du puits.

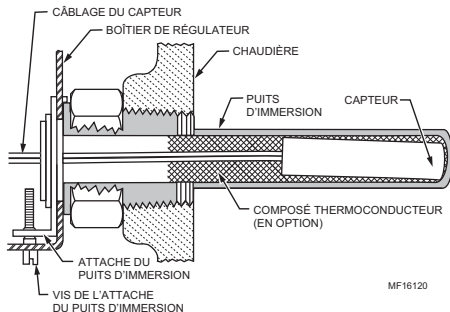


Fig. 3. Position du capteur dans le puits d'immersion.

## Remplacement de l'Aquastat, montage encastré

Couper l'alimentation et déposer l'ancien régulateur. Se reporter à l'insert du couvercle de l'ancien régulateur pour identifier et étiqueter tous les fils externes au fur et à mesure de leur déconnexion. Si l'ancien puits ne convient pas au nouveau montage, le déposer et le remplacer par un puits neuf approprié. Si l'ancien puits convient, il doit être utilisé. Voir les Fig. 1 et 4 pour connaître l'emplacement de la languette de montage.

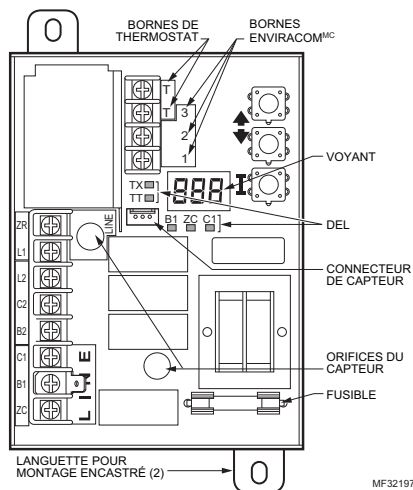


Fig. 4. Emplacement des languettes de montage encastré et des DEL du L7224U.

## Remplacement de l'Aquastat, montage sur puits

Couper l'alimentation et déposer l'ancien régulateur. Se reporter à l'insert du couvercle de l'ancien régulateur pour identifier et étiqueter tous les fils externes au fur et à mesure de leur déconnexion. Si l'ancien puits ne convient pas au nouveau montage, le déposer et suivre les directives s'appliquant à la nouvelle installation. Si l'ancien puits convient, il doit être utilisé.

1. Desserrer, mais ne pas retirer la vis de l'attache du puits qui se trouve sur le boîtier de commande.
2. Prendre soin de bien placer l'attache du puits d'immersion sur la bride de l'adaptateur et de serrer sa vis.
3. Mettre le capteur à l'intérieur du puits comme l'indique la Fig. 5. (Si désiré, distribuer le composé thermoconducteur dans le tube avant de l'insérer dans le capteur, comme le décrit la section « Nouvelle installation ».)
4. S'assurer que le capteur repose complètement au fond du puits (Fig. 5). Utiliser un petit crayon pour mesurer la profondeur du capteur du puits, au besoin.

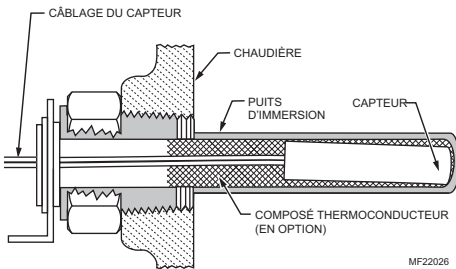


Fig. 5. Installation du capteur de recharge.

## Installation du capteur de recharge

Couper le courant et débrancher prudemment le capteur de la carte de circuit imprimé en tirant doucement sur le connecteur.

1. Sortir doucement le capteur du puits thermométrique et le passer dans la carte de circuit imprimé en tirant sur les fils de connexion.
2. Aligner prudemment le capteur de remplacement avec l'orifice de la carte de circuit imprimé et le guider dans le boîtier Aquastat et le puits. Se reporter à la Fig. 5.
3. S'assurer que le capteur repose complètement au fond du puits (consulter la Fig. 5). Utiliser un petit crayon pour mesurer la profondeur du capteur du puits, au besoin.
4. Brancher le capteur dans la carte de circuit imprimé en appuyant le connecteur du capteur contre le connecteur homologue de la carte de circuit imprimé (consulter la Fig. 6).
5. Pour les capteurs à distance (régulateurs Aquastat à montage encastré) s'assurer d'utiliser l'attache 121371AA pour maintenir le capteur fermement en place. Consulter la rubrique Accessoires.

## CÂBLAGE

### ⚠ AVERTISSEMENT

**Risque de choc électrique.**

**Risque de causer des blessures graves, voire mortelles.**

Couper l'alimentation avant de raccorder le câblage pour éviter les risques de choc électrique ou l'endommagement de l'équipement.

Le câblage doit être conforme au code de l'électricité et aux règlements locaux. Respecter les spécifications énoncées dans la section Application lors du câblage de ce régulateur.

### IMPORTANT

*Les bornes de ces régulateurs Aquastat sont approuvées uniquement pour une utilisation avec du câblage de cuivre.*

Suivre les schémas de câblage appropriés illustrés à l'intérieur du couvercle avant du L7224U ou dans les Fig. 9–13.

Se reporter à la Fig. 6 pour savoir comment brancher le module d'eau chaude domestique et le module de réarmement d'extérieur (en option). Dans des schémas de câblage subséquents ces modules seront affichés avec une ligne pointillée indiquant qu'ils sont optionnels.

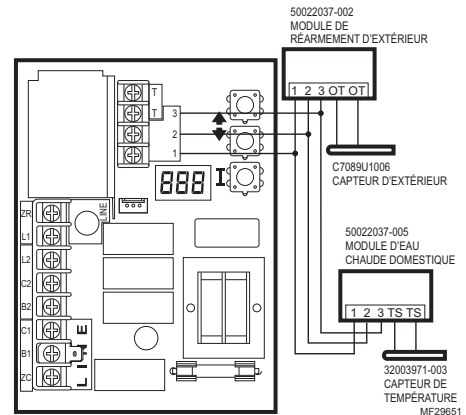


Fig. 6. Raccordement du module de réarmement d'extérieur et du module d'eau chaude domestique.

## FONCTIONNEMENT

### Général

Le régulateur électronique à mazout Aquastat L7224U est principalement un limiteur de sécurité conçu pour être utilisé avec des chaudières à mazout dotées de brûleurs et circulateurs à tension secteur. Plusieurs chaudières n'incluent pas le câblage ni les compartiments de commande dans leur conception, mais sont fournies avec un puits d'immersion intégré remplaçable qui sert d'accessoire de fixation aux régulateurs Aquastat. Le câblage aux autres régulateurs s'effectue par un conduit métallique souple.

Pour les chaudières qui n'incluent pas un régulateur à distance intégré, le câblage doit être complété par un conduit ou acheminé derrière la feuille métallique de la chaudière.

Une Limite haute électromécanique séparée n'est pas requise dans un système qui utilise ce régulateur pour répondre aux normes Underwriters Laboratories Inc. portant sur les assemblages de chaudière de mazout, UL 726.

Sur le modèle L7224U, la Limite haute, le Différentiel limite haute, la Limite basse, le Différentiel limite basse et la durée anti-court cycle peuvent être configurés au moyen du réglage recommandé par le fabricant d'origine de la chaudière.

La plage globale de Limite haute varie de 54 °C à 116 °C (130 °F à 240 °F). Certains appareils peuvent utiliser des plages différentes. Certains modèles peuvent avoir des plages limitées pour la Limite haute du point de consigne, cette plage limitée est indiquée sur l'étiquette de l'appareil.

La plage de Limite basse varie de 43 °C à 104 °C (110 °F à 220 °F). Certains appareils peuvent utiliser des plages différentes. La plage de durée anti-court cycle varie de ARRÊT (OFF) à 5 minutes.

Si un module à réarmement d'extérieur 50022037-002 est installé, la courbe de compensation peut être réglée en entrant la température extérieure minimale, la température minimale (eau ou chaudière) et une température extérieure maximale composée de trois chiffres. La plage de températures extérieures minimales varie de -40 °C à 4,4 °C (-40 °F à 40 °F) et a un réglage par défaut de -18 °C (0 °F). La plage de températures extérieures maximales varie de -1 °C à 21 °C (30 °F à 70 °F) et a un réglage par défaut de 4,4 °C (40 °F). La plage de températures minimales varie de 27 °C à 82 °C (80 °F à 180 °F) et a un réglage par défaut de 54 °C (130 °F). Consulter la section traitant du « Module à réarmement d'extérieur » Consulter les directives d'installation (formulaire numéro 69-2335) pour en savoir plus sur le réglage de la courbe de compensation de la chaudière et de tous les paramètres connexes.

Le modèle L7224U est conçu pour être utilisé avec des thermostats électroniques et électromécaniques de 24 V c.a. ou des thermostats compatibles EnviraCOM™ et disposent de bornes à vis qui permettent un branchement facile sur le terrain.

Pour remplacer un régulateur L8148A,C L7148A ou L7248A,C, la fonction Limite basse doit être désactivée; consulter la rubrique Réglages pour obtenir des directives.

## Réglages

Pour empêcher la modification non autorisée des réglages Aquastat, le mode de **RÉGLAGE** requiert de suivre une procédure de saisie. Pour accéder au mode **RÉGLAGE**, appuyer simultanément sur les boutons **HAUT**, **BAS** et **I** pendant trois secondes (se reporter à la Fig. 9). Appuyer sur la touche **I** jusqu'à ce que la fonction à régler s'affiche :

Display	Définition
HL_	Limite haute.
Hdf	Différentiel limite haute.
LL_	Limite basse.
Ldf	Différentiel limite basse.
duu	Entrée ZR configurée comme demande d'eau chaude domestique externe (MARCHE/ARRÊT)
ASC	Temporisation anti-court cycle (secondes); la fonction « ARRÊT » est désactivée.
otL	Paramètre de température extérieure minimale pour la courbe de compensation extérieure (°F ou °C)*
otH	Paramètre de température extérieure élevée (maximale) pour la courbe de compensation extérieure (°F ou °C)*
btL	Le paramètre de basse température de la chaudière (minimale) pour la courbe de compensation extérieure*
bP	Période de suralimentation (minutes). « ARRÊT » s'affiche si le mode de Suralimentation est inactif*
bS	Étape de suralimentation (°F ou °C) indiquée seulement si le mode Suralimentation est actif (bp=MARCHE)*
UUS	Température d'arrêt par temps chaud (°F ou °C)*
F-C	Unités de température (°F ou °C)

\* Paramètres disponibles pour le réglage sur l'afficheur à trois chiffres seulement si le module de réarmement d'extérieur AquaRest est installé.

Appuyer ensuite sur les touches **HAUT** et/ou **BAS** pour déplacer le point de consigne à la valeur désirée. Après 60 secondes sans saisie de touches, le régulateur retournera automatiquement au mode **EXÉCUTION (RUN)**.

Pour utiliser le L7224U pour démarrer une chaudière à froid, désactiver la fonction Limite basse en appuyant simultanément sur la flèche vers le **HAUT**, vers le **BAS** et la touche **I** pendant trois secondes. Appuyer ensuite sur le bouton **I** jusqu'à ce que **LL\_** s'affiche. Appuyer ensuite sur la flèche vers le bas jusqu'à ce que **ARRÊT (OFF)** s'affiche.

## Afficheur

En mode **EXÉCUTION (RUN)**, le régulateur Aquastat fera apparaître « bt » à l'écran (température de la chaudière) suivi par la température (c.-à-d. 220) et de °F ou °C.

Pour lire les réglages de chaudière, appuyer sur la touche **I** pour lire le paramètre d'intérêt. Par exemple, appuyer sur **I** et **HL** (Limite haute) s'affichera, suivie par une valeur à trois chiffres, c.-à-d. 220 suivi par °F ou °C. Le fait d'appuyer de nouveau sur la touche **I** fera apparaître la valeur à trois chiffres et le dénominateur de degré. Voir la Fig. 7 pour obtenir des explications sur la lecture de l'affichage.

Après environ 60 secondes sans appuyer sur une ou plusieurs touches, l'affichage passera en mode d'atténuation de l'affichage. Pour retourner au mode d'affichage à grande brillance, il suffit d'appuyer sur une touche ou une touche puis de la relâcher.

Texte	Description	L'affichage indique
<i>Err</i>	Code d'erreur (en présence d'un code)	<i>Err</i>
<i>bt</i>	Température de la chaudière	<i>bt</i>
<i>HL</i>	△ Limite haute	<i>HL</i>
<i>HdF</i>	Différentiel limite haute	<i>HdF</i>
<i>LL</i>	Limite basse (L7224 seulement)	<i>LL</i>
<i>Ldf</i>	Différentiel limite basse (L7224 seulement)	<i>LdF</i>
<i>tt</i>	État du thermostat local	<i>tt</i>
<i>ttE</i>	État du thermostat EnviraCOM	<i>ttE</i>
<i>brn</i>	Sortie B1 (brûleur) (MARCHE ou ARRÊT)	<i>brn</i>
<i>Cir</i>	Sortie C1 (circulateur) (MARCHE ou ARRÊT)	<i>Cir</i>
<i>ZC</i>	Sortie ZC (commande de zone) (MARCHE ou ARRÊT)	<i>ZC</i>
<i>Zr</i>	Appel ZR (demande de zone) de CHALEUR (MARCHE ou ARRÊT)	<i>Zr</i>
<i>ELL</i>	Limite basse externe activée (L7248L seulement)	<i>ELL</i>
<i>duu</i>	ZR configurée comme demande d'eau chaude domestique (L7224, L7248 seulement)	<i>duu</i>
<i>ASC</i>	Temporisation anti-court cycle	<i>ASC</i>
<i>bSP</i>	△ Point de consigne de la chaudière	<i>bSP</i>
<i>dhc</i>	△ Module d'eau chaude domestique branché (OUI ou NON)	<i>dhc</i>
<i>ot</i>	△ Température extérieure	<i>ot</i>
<i>otL</i>	△ Basse température extérieure	<i>otL</i>
<i>otH</i>	△ Haute température extérieure	<i>otH</i>
<i>btL</i>	△ Basse température de chaudière	<i>btL</i>
<i>bP</i>	△ Période de suralimentation	<i>bP</i>
<i>bS</i>	△ Étape de suralimentation	<i>bS</i>
<i>UUS</i>	△ Température d'arrêt par temps chaud	<i>UUS</i>
<i>°F</i>	Les unités sont affichées en degrés Fahrenheit	<i>°F</i>
<i>°C</i>	Les unités sont affichées en degrés Celsius	<i>°C</i>
<i>OFF</i>	L'entrée ou la sortie est à ARRÊT	<i>OFF</i>
<i>On</i>	L'entrée ou la sortie est à MARCHE	<i>On</i>

△ LE PARAMÈTRE LOCAL S'AFFICHE; NON PAS LE PARAMÈTRE MODIFIÉ PAR UN RÉGULATEUR EXTERNE ENVIRACOM.

△ LES PARAMÈTRES PEUVENT SEULEMENT ÊTRE AFFICHÉS SI LE MODULE DE RÉARMEMENT D'EXTÉRIEUR ET LE CAPTEUR DE TEMPÉRATURE SONT INSTALLÉS ET FONCTIONNENT CORRECTEMENT.

△ LES PARAMÈTRES PEUVENT SEULEMENT ÊTRE AFFICHÉS SI LE MODULE D'EAU CHAUDE DOMESTIQUE ET LE CAPTEUR SONT INSTALLÉS ET FONCTIONNENT CORRECTEMENT.

MF29552A

Fig. 7. Définitions de la lecture de l'affichage.

\* Paramètres disponibles pour le réglage sur l'afficheur à trois chiffres seulement si le « module de réarmement d'extérieur » est installé.

## Fonctionnement

Le modèle L7224U peut se trouver dans un des quatre états de fonctionnement suivants : Normal, Limite haute, Limite basse et Erreur. S'il fonctionne normalement, le régulateur alterne entre la Limite haute, le Mode normal et la Limite basse. États de fonctionnement :

1. Normal : La température de la chaudière est passée sous le réglage Limite haute (moins le différentiel) et n'a pas dépassé le réglage Limite haute; ou, la température de la chaudière est passée au-dessus du réglage Limite basse et n'a pas chuté sous le réglage Limite basse (moins le différentiel).
2. Limite haute : La température de la chaudière a dépassé le réglage Limite haute et n'a pas chuté sous le réglage Limite haute (moins le différentiel).
3. Limite basse : La température de la chaudière a chuté sous le réglage Basse limite (moins le Différentiel basse limite) et n'a pas dépassé le réglage Basse limite.
4. Erreur : Une erreur a été détectée par le régulateur (p. ex. capteur ouvert) et a coupé la sortie du brûleur. La sortie Contrôle de zone (ZC) est activée. Le régulateur continue de surveiller le système et redémarre automatiquement si l'erreur disparaît. Se reporter aux Tableau 4 à 6.

La séquence de fonctionnement du modèle L7224U est illustrée dans le Tableau .

## Régulateur Limite haute

La Limite haute ouvre et coupe le circuit du brûleur lorsque la température augmente jusqu'au point de consigne. La Limite haute se remet automatiquement en circuit par l'intermédiaire du différentiel réglable lorsque la température de l'eau chute sous le point de consigne.

## Régulateur de Limite basse et de circulateur

Lorsque la température monte, le circuit du brûleur est coupé et le circuit du circulateur utilise le point de consigne Limite basse (en l'absence de demande de chaleur). Lorsque la température chute de 6 °C (10 °F) sous le point de consigne Limite basse (avec le différentiel réglable à un point de consigne minimal de 6 °C/10 °F), le circuit du brûleur se déclenche et le circuit du circulateur se coupe. Se reporter à la Fig. 7.

l'intermédiaire de la borne ZR a priorité sur d'autres fonctions comme la fonction Anti-court cycle ou celles activées par le module de réarmement d'extérieur (consulter le formulaire n° 69-2335 pour obtenir de plus amples renseignements).

## VÉRIFICATION

Mettez le système en marche et observez au moins un cycle complet pour s'assurer que le régulateur fonctionne correctement. Consulter la section DÉPANNAGE pour utiliser des DEL pour vous aider à vérifier le fonctionnement du système.

## DÉPANNAGE

Lors de la tentative de diagnostic de la performance du système, la référence de l'affichage DEL peut vous aider à identifier les secteurs spécifiques qui ne fonctionnent pas. Le message **Err** défilera dans l'affichage DEL suivi d'un chiffre (1-8). Se reporter au Tableau 7 pour obtenir une description de chaque erreur et des actions suggérées et au Tableau 8 pour utiliser le guide de dépannage.

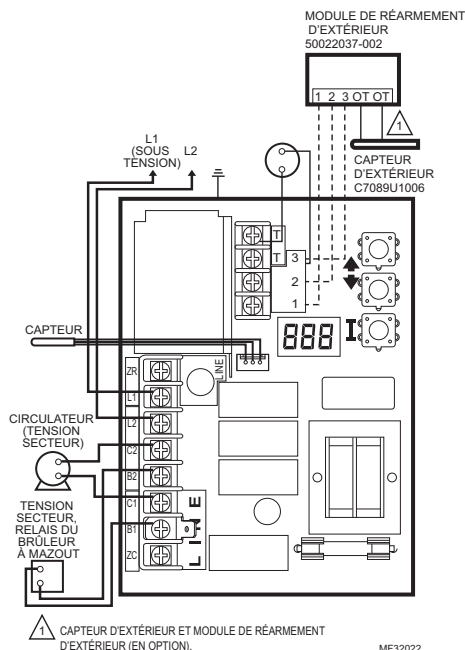
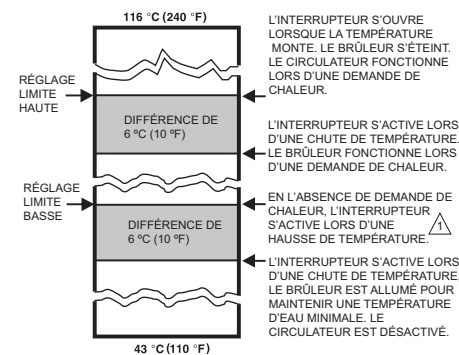


Fig. 9. Connexions à zone unique L7224U.



⚠ LORSQUE L'EAU ATTEINT LE RÉGLAGE LIMITE BASSE, LE BRÛLEUR SE COUPE OU LA POMPE DE CIRCULATEUR DÉMARRE (LORS D'UNE DEMANDE DE CHALEUR).

MF23365

Fig. 8. Points de consigne et différentiels.

**REMARQUE :** Le réglage de la Limite basse au-dessus de la Limite haute moins le Différentiel de limite haute n'est pas autorisé car cela pourrait nuire au fonctionnement du circulateur et du contrôle de zone.

## Fonction Anti-court cycle

La fonction Anti-court cycle permet de sélectionner sur site un délai de temporisation minimal entre les cycles de brûleur. Si une demande de chaleur est faite après la fin du cycle de chaleur précédent et avant l'expiration de la temporisation de l'Anti-court cycle, le circulateur pourra fonctionner, mais le brûleur sera coupé jusqu'à ce que le délai soit expiré.

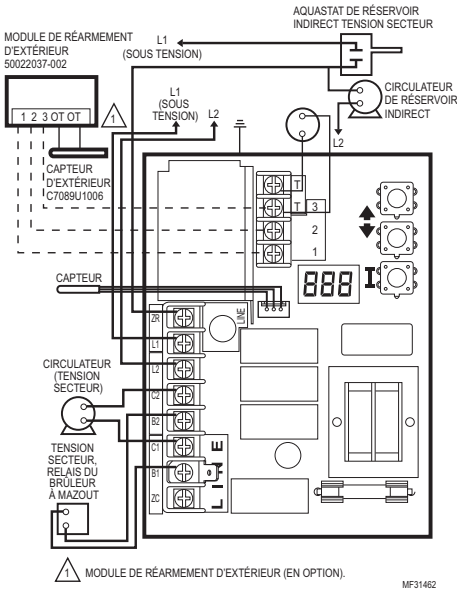
**REMARQUE :** La fonction Anti-court cycle est bloquée lorsqu'il y a demande d'eau chaude domestique. Les demandes d'eau chaude domestique sont traitées immédiatement, sans délai.

**REMARQUE :** Lorsque l'Aquastat est branché au régulateur primaire et/ou au thermostat par l'intermédiaire du bus EnviraCOM, la durée de l'Anti-court cycle ne s'applique pas aux événements de recyclage comme une perte d'écoulement d'air ou de flammes. Il s'applique seulement à la perte de demande.

## ZR - Demande d'eau chaude domestique

La borne ZR du L7224U peut être sélectionnée pour répondre à une demande indirecte du chauffe-eau. Ce paramètre est réglé par l'intermédiaire d'un affichage à trois chiffres (voir la section du présent document traitant des réglages). Une demande de chaleur faite par

**Tableau 3. L7224/L7248, séquence de fonctionnement du régulateur.**



**Fig. 10. Système à zone de chauffage unique avec circulateurs et réservoir d'eau indirect L7224U. Module de réarmement d'extérieur facultatif.**

**Tableau 3. L7224/L7248, séquence de fonctionnement du régulateur.**

Action	Réponse du système
Le thermostat fait une demande de chaleur.	Le circulateur démarre lorsque la température de l'eau dépasse le réglage Limite basse (le cas échéant). La température de la chaudière est vérifiée. Le brûleur démarre lorsque la température de l'eau chute sous le réglage Limite haute moins le différentiel. Si la fonction Anti-court cycle est activée, le brûleur ne démarre pas avant que le réglage de durée de l'Anti-court cycle entre les cycles soit expiré une fois la précédente demande en chaleur satisfaite.
La température de la chaudière dépasse la Limite haute.	Le brûleur est éteint. Le brûleur redémarre lorsque la température de l'eau chute sous le réglage Limite haute moins le différentiel.
Le thermostat est satisfait.	Le circulateur et le brûleur s'éteignent.

Action	Réponse du système
La température de la chaudière chute sous le réglage Limite basse moins le différentiel (le cas échéant).	Le brûleur est allumé, le circulateur est éteint. Le brûleur cesse de fonctionner lorsque la température de l'eau dépasse le réglage Limite basse. Le courant à la borne Zc est coupé.
Situation d'erreur 1-5.	Si une situation d'erreur est détectée, toutes les sorties sont coupées, sauf la sortie ZC. Le brûleur est éteint. Le régulateur continue de fonctionner et redémarre une fois l'erreur corrigée. Durant la séquence de vérification des erreurs, le système s'assure de l'absence de dérive dans le capteur et de corrosion dans les connexions.
Situation d'erreur 6.	La communication EnviraCOM n'est pas disponible.
Situation d'erreur 7.	Le régulateur a réinitialisé les réglages Limite haute, Limite basse et Différentiel à une valeur par défaut et continuera d'utiliser ces réglages pendant le fonctionnement. La performance du système sera dégradée.
Situation d'erreur 8.	Si la situation d'erreur est détectée, toutes les sorties, sauf la sortie ZC, sont coupées. Le brûleur est éteint. Le régulateur continue de fonctionner et redémarre lorsque les trois touches utilisateur sont enfoncées pendant plus de 60 secondes.
Situation d'erreur 9*.	Le système continue de fonctionner sans fonctionnalité de réarmement d'extérieur
Situation d'erreur 10*.	Le système continue de fonctionner en utilisant les paramètres de réarmement d'extérieur activés lors de la programmation. Le code d'erreur s'efface automatiquement.
Situation d'erreur 11*.	Le système continue de fonctionner avec la température de chaudière réglée à Limite haute.

\* Situation d'erreur seulement disponible lorsque le module de réarmement d'extérieur est installé.



**Tableau 4. L7224, séquence de fonctionnement du régulateur avec zones multiples branchées par l'intermédiaire de la borne ZR.**

Action	Réponse du système
La borne de demande de zone (ZR) est branchée à L1 (demande de chaleur par la zone).	La température de la chaudière est vérifiée. Le brûleur démarre lorsque la température de l'eau chute sous le réglage Limite haute. La commande à temps de fonctionnement minimal est appliquée, consulter le Tableau 3.
La température de la chaudière dépasse la Limite haute.	Le brûleur est éteint. Le brûleur redémarre lorsque la température de l'eau chute sous le réglage Limite haute moins le différentiel.
L'entrée Demande de zone est désactivée (les zones sont satisfaites).	Le brûleur s'éteint.
La température de la chaudière chute sous le réglage Limite basse moins le différentiel (le cas échéant).	Le brûleur s'allume et le régulateur de zone est désactivé. Le brûleur s'éteint et le régulateur de zone se réactive lorsque la température de l'eau dépasse le réglage Limite basse.

**Tableau 5. Séquence de fonctionnement du régulateur avec appareil Limite basse externe branché par l'intermédiaire de la borne ZR.**

Action	Réponse du système
La borne de demande de zone (ZR) est branchée à L1 (demande de chaleur par la Limite basse externe).	La température de la chaudière est vérifiée. Le brûleur démarre lorsque la température de l'eau chute sous le réglage Limite haute. Le circulateur s'éteint.
La température de la chaudière dépasse la Limite haute.	Le brûleur est éteint. Le brûleur redémarre lorsque la température de l'eau chute sous le réglage Limite haute moins le différentiel.
L'entrée Demande de zone est désactivée (la Limite basse externe est satisfaite).	Le brûleur est éteint.

**Tableau 6. L7224, séquence de fonctionnement du régulateur eau chaude domestique branchée par l'intermédiaire de la borne ZR.**

Action	Réponse du système
La borne Demande de zone (ZR) est branchée à L1 (demande de chaleur pour l'eau chaude domestique).	La température de la chaudière est vérifiée. Le brûleur démarre lorsque la température de l'eau chute sous le réglage Limite haute.
La température de la chaudière dépasse la Limite haute.	Le brûleur est éteint. Le brûleur redémarre lorsque la température de l'eau chute sous le réglage Limite haute moins le différentiel.
L'entrée Demande de zone est désactivée (la demande en eau chaude domestique est satisfaite).	Le brûleur est éteint.

Tableau 7. Codes d'erreur (DEL).

Code d'erreur Aquastat	Cause/Action	EnviraCOM Alarm
Err1	Défaillance du capteur Aquastat; vérifier le capteur d'eau.	18
Err2	Défaillance ECOM; vérifier le câblage EnviraCOM™.	18
Err3	Interférences électriques excessives ou fréquence hors plage. Défaillance du matériel; remplacer le régulateur.	18, 58
Err4	Défaillance B1; vérifier le câblage B1/la tension.	64
Err5	Basse tension; vérifier L1-L2, 110 V c.a.	59
Err6 <sup>a</sup>	Avertissement : Fusible; vérifier les fils ECOM; remplacer le fusible.	92
Err7	Avertissement : EEPROM, HL, LL, Hdf, Ldf; réinitialisation aux valeurs par défaut.	N/A
Err 8 <sup>b</sup>	Défaillance B1 répétée (tension présente à B1 lorsque l'entrée est désactivée); vérifier le câblage/la tension à B1.	25
Err9 <sup>a</sup>	Avertissement : Défaillance du système de réarmement d'extérieur; communication perdue au module de réarmement d'extérieur, Défaillance du module de réarmement d'extérieur, détection de plusieurs capteurs de température extérieure sur le bus, ou défaillance du capteur de température extérieure. Vérifier le câblage EnviraCOM (1,2,3), vérifier le câblage du capteur.	50, 53, 149
Err 10 <sup>a</sup>	Avertissement : Défaillance de la suralimentation; mode de suralimentation actif au moins une fois par cycle pour les 60 derniers cycles consécutifs. Vérifier les réglages de la courbe de compensation extérieure.	150
Err 11 <sup>a</sup>	Défaillance du module d'eau chaude domestique/capteur; communication perdue vers le module d'eau chaude domestique, défaillance du module d'eau chaude domestique ou défaillance du capteur de température. Vérifier le câblage EnviraCOM (1,2,3), vérifier le câblage du capteur.	146, 147, 148

<sup>a</sup> Des avertissements sont générés pour indiquer que le système ne fonctionne pas de manière optimale; l'Aquastat continue néanmoins de fonctionner et de maintenir la température de la chaudière. Dans l'éventualité où un module de réarmement d'extérieur serait utilisé, les avertissements peuvent indiquer une situation d'erreur relative au réglage de la courbe de compensation, un fonctionnement non optimal de plusieurs fonctions, une utilisation des réglages par défaut de l'Aquastat ou une non exécution des algorithmes de réarmement d'extérieur. Les avertissements sont effacés une fois le(les) problème(s) résolu(s).

<sup>b</sup> Pour effacer le code d'erreur Err 8, appuyer simultanément sur les trois touches utilisateur et les maintenir enfoncées pendant 60 secondes. Le code d'erreur Err 8 s'efface et l'affichage retourne à la normale. Le code d'erreur Err 8 sert à déceler les relais soudés sur l'Aquastat et ne s'affiche habituellement qu'à la fin de la durée de vie du régulateur. Si le code d'erreur Err 8 s'affiche prématurément (avec des régulateurs pratiquement neufs), s'assurer de vérifier la réaction de tension à B1 lorsque le B1 devrait être coupé, puis de vérifier l'appel de courant à la borne b pour vous assurer que le brûleur à mazout ne consomme pas trop de courant. Le code d'erreur Err 8 continuera de s'afficher si la défaillance B1 n'est pas effacée.

## AVERTISSEMENT

**Risque de choc électrique.**

**Risque de causer des blessures graves, voire mortelles.**

Tous les circuits doivent avoir un point de débranchement commun pour éviter les chocs électriques.

Table 8. Guide de dépannage.<sup>a</sup>

Condition liée au système	Condition liée au diagnostic	Vérifier	Action
La chaudière est froide, la maison est froide.	L'afficheur est ÉTEINT.	Alimentation du système, 120 V c.a.	Mettre le système en marche.
	L'afficheur est ALLUMÉ. Le voyant DEL TT est ÉTEINT.	24 V c.a. T-T	Absence de 24 V; remplacer le régulateur.
	L'afficheur est ALLUMÉ. Le voyant DEL TT est ÉTEINT.	Présence de 24 V; débrancher le thermostat, court-circuit au T-T.	La chaudière démarre, vérifier le câblage et le thermostat.
	L'afficheur est ALLUMÉ. Le voyant DEL TT est ALLUMÉ. Le voyant DEL B1 est ALLUMÉ.	120 V c.a. à B1-B2	<ul style="list-style-type: none"> <li>• Dans la négative, remplacer le régulateur.</li> <li>• Dans l'affirmative, vérifier le brûleur et le câblage.</li> </ul>
	L'afficheur est ALLUMÉ. Le voyant DEL TT est ALLUMÉ.	Se reporter à <b>Err</b> sur l'afficheur.	—
La chaudière est chaude, la maison est froide.	L'afficheur est ALLUMÉ. Le voyant DEL TT est ALLUMÉ. Le voyant DEL C1 est ALLUMÉ.	120 V c.a. à C1-C2	<ul style="list-style-type: none"> <li>• 120 V c.a. à C1-C2, vérifier le câblage vers la pompe.</li> <li>• Le câblage est en bon état, la pompe fonctionne-t-elle? Dans la négative, remplacer la pompe.</li> <li>• Si la pompe fonctionne, s'assurer de l'absence d'air emprisonné ou de vannes de zone fermées.</li> </ul>
	L'afficheur est ALLUMÉ. Le voyant DEL TT est ALLUMÉ. Le voyant DEL C1 est ÉTEINT. Le voyant DEL ZC est ALLUMÉ <sup>b</sup> .	La chaudière se trouve sous la température Limite basse, attendre que la chaudière se trouve au-dessus de la température Limite basse.	—
	L'afficheur est ALLUMÉ. Le voyant DEL TT est ALLUMÉ. Le voyant DEL ZC est ÉTEINT <sup>c</sup> .	Chaudière au-dessus de la <b>Limite basse (LL)</b> ? Dans l'affirmative, s'assurer que la tension est de 120 V c.a. entre le ZC et le L2.	<ul style="list-style-type: none"> <li>• En l'absence d'une tension de 120 V c.a., remplacer le régulateur.</li> <li>• Dans l'affirmative, vérifier les relais de zone, les circulateurs et le câblage.</li> </ul>
La chaudière est chaude, sans eau chaude potable.			<ul style="list-style-type: none"> <li>•</li> </ul>

<sup>a</sup> Se reporter à la Fig. 7. pour l'afficheur et les emplacements des voyants DEL.<sup>b</sup> Un voyant DEL ZC ALLUMÉ indique que la borne ZC n'est pas alimentée.<sup>c</sup> Un voyant DEL ZC ÉTEINT indique que la borne ZC est ALIMENTÉE.

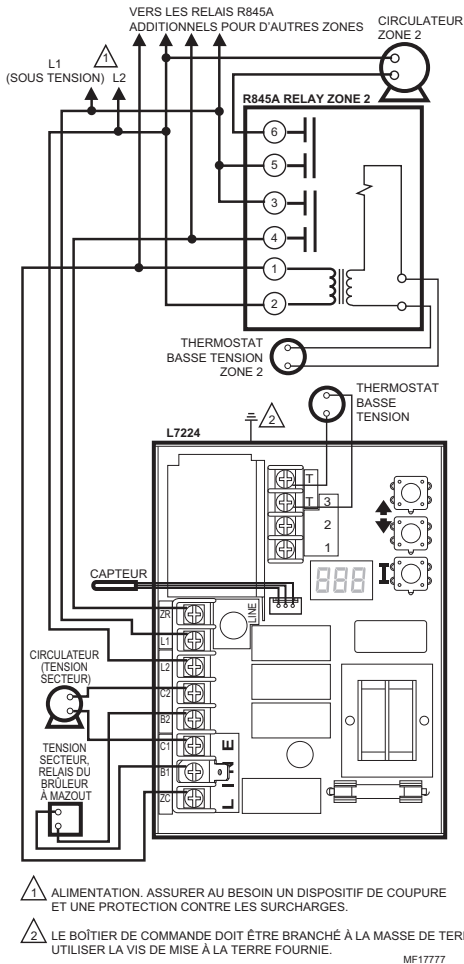
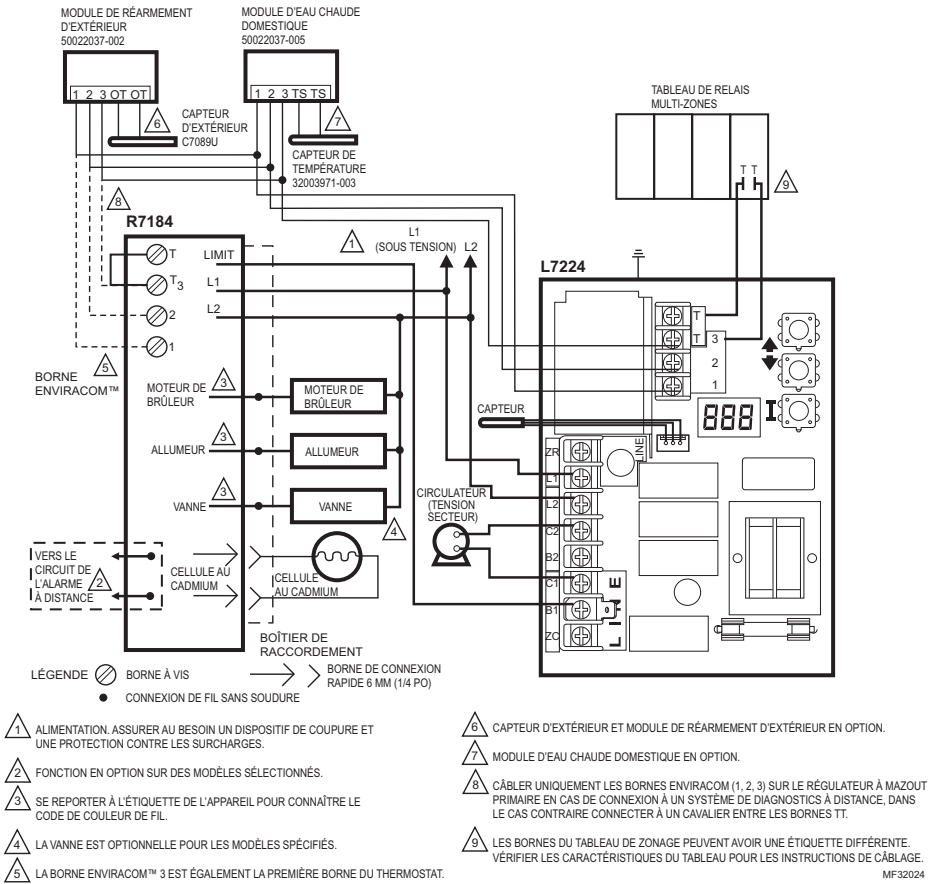


Fig. 11. L7224U, système multizones avec connexions du circulateur.



**Fig. 12. Système multizones L7224U avec modules de réarmement d'extérieur et d'eau chaude résidentiel (applications à réservoir indirect).**

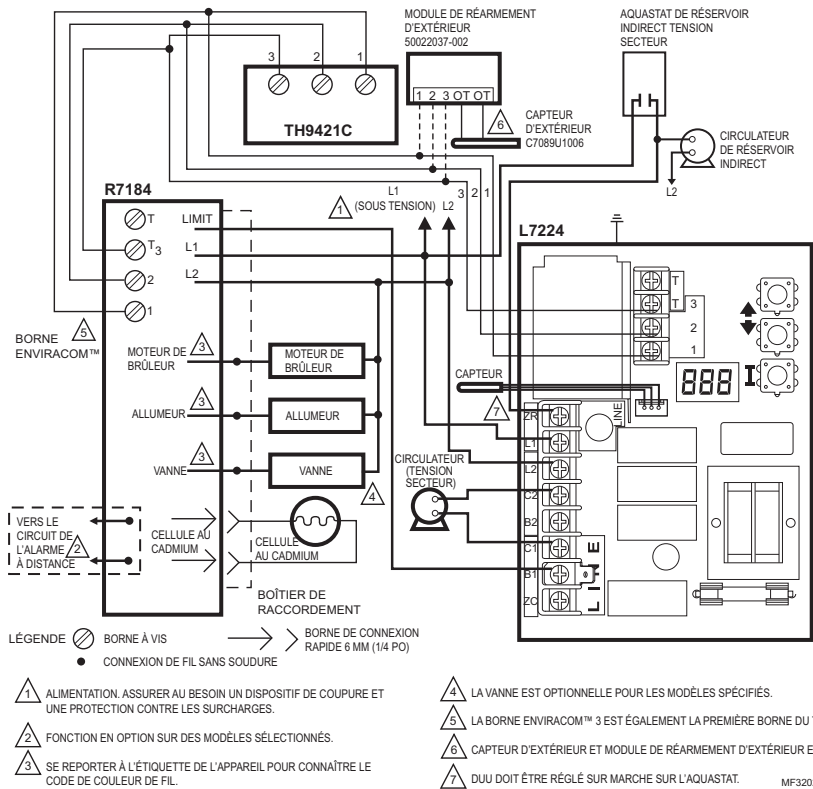


Fig. 13. Système à zone unique L7224U avec circulateur, réservoir d'eau indirect et thermostat EnviraCOM™.

## FICHE SIGNALÉTIQUE

### Section 1. Produit et entreprise

Nom du produit : Composé thermoconducteur

ID de la fiche signalétique du fabricant : DS9021

Synonymes : MS1699

Utilisation du produit : Matériau thermoconducteur utilisé pour améliorer le contact et le transfert de chaleur lors de l'utilisation de capteurs de température.

Fabricant : Honeywell Inc.  
1985 Douglas Drive North  
Minneapolis, MN 55422.

Date de mise en circulation : 8 octobre 1999

Centre de réponse client : 800-328-5111

Autre service téléphonique d'information : 888-809-3787

Cotes de danger selon la NFPA :

santé 0; inflammabilité 1; réactivité 0; protection  
personnelle B

## Section 2. Composition, Information sur les ingrédients

Ingrédients	Numéro de registre	Pourcentage	Limite d'exposition admissible	TVL
N° 2 Graisse complexe lithium (70 %) :				
Huile minérale	64742-65-0	35-50	5 mg/m <sup>3</sup>	5 mg/m <sup>3</sup>
Huile minérale	64742-62-7	20-25	5 mg/m <sup>3</sup>	5 mg/m <sup>3</sup>
Complexe sébacate/hydrostéarate de lithium	68815-49-6	4-9	—	—
Alcoyldithiophosphate de zinc	68649-42-3	0-2	—	—
Pâte d'aluminium (30 %) :				
Aluminium (Al)	7429-90-5	20-25	15 mg/m <sup>3</sup>	10 mg/m <sup>3</sup>
Distillats aliphatiques de pétrole	8052-41-3	10-15	2900 mg/m <sup>3</sup>	525 mg/m <sup>3</sup>
Acide stéarique	57-11-4	1-2	—	—
Distillats de pétrole aromatiques	64742-95-6	1-2	5 mg/m <sup>3</sup>	5 mg/m <sup>3</sup>

Renseignements supplémentaires : n° de référence 120650 (tube de 0,5 oz); n° de référence 107408 (contenant de 4 oz); n° de référence 197007 (contenant de 5 gallons). Peut également contenir des quantités minimales de composés de lubrification à base de lithium et de molybdène.

## Section 3. Identification des dangers

### Effets aigus sur la santé :

Peau : Un contact excessif peut causer une irritation cutanée et une dermatite.

Yeux : Un contact direct avec les yeux causera de l'irritation.

Inhalation : Aucun effet indésirable attendu.

Ingestion : L'ingestion de ce produit peut causer des nausées, des vomissements et de la diarrhée.

### Effets chroniques sur la santé :

Des éruptions cutanées ou dermatites existantes peuvent être exacerbées par un contact répété.

Classifications des risques de l'OSHA : Aucun.

Cancérogénicité : Non considéré comme cancérogène par l'OSHA, le NTP, le CIRC ou l'ACGIH.

## Section 4. Premiers soins

Contact oculaire : Rincer à l'eau pendant 15 minutes. Retirer les lentilles cornéennes et continuer de rincer. Obtenir des soins médicaux si de l'irritation se manifeste et persiste.

Contact cutané : Retirer l'excès de produit avec un chiffon ou du papier. Laver soigneusement avec de l'eau et du savon doux. Obtenir des soins médicaux si de l'irritation se manifeste et persiste.

Ingestion : Communiquer *immédiatement* avec un médecin ou un centre antipoison local.

Inhalation : Transporter la personne incommodée à l'air frais et obtenir des soins médicaux si des symptômes se manifestent.

## Section 5. Mesures d'extinction des incendies

Point d'inflammabilité des matériaux : > 195 °C (383 °F). Brûlera si exposé à des flammes.

Matériel d'extinction : dioxyde de carbone, poudre ou mousse extinctrice.

Procédures spéciales d'extinction des feux : Aucune.

Dangers d'explosion : Aucun. La poudre d'aluminium peut réagir avec l'eau et libérer de l'hydrogène inflammable. Cette réaction ne devrait pas se produire en raison de la forme de ce produit.

## Section 6. Mesures relatives à un rejet accidentel

Nettoyer et jeter tout déchet solide en respectant les lois provinciales et fédérales.

## Section 7. Manutention et entreposage

Entreposer dans un endroit sec. Garder le contenant fermé lorsqu'il n'est pas utilisé.

## Section 8. Contrôles de l'exposition et protection personnelle

Ventilation : Aucune ventilation spéciale n'est requise lors de l'utilisation de ce produit.

Protection respiratoire : Aucune requise.

Protection oculaire : Aucune requise dans des conditions normales. Par contre, porter des lunettes protectrices contre les agents chimiques ou un écran facial s'il est possible que le produit entre en contact avec les yeux, particulièrement s'il est chauffé.

Protection pour les mains/les vêtements : Aucune requise habituellement. Il est recommandé de porter des gants et des vêtements protecteurs, étant donné qu'il est difficile d'enlever le produit de la peau et des vêtements.

Autre équipement de protection : Aucun requis.

## Section 9. Propriétés physiques et chimiques

Apparence/odeur : Couleur d'aluminium, matériau semi-solide, odeur agréable.

Solubilité dans l'eau : Négligeable.

Densité : 0,86.

## Section 10. Stabilité et réactivité

Stabilité : Stable.

Réactivité : Ne peut pas provoquer de polymérisation dangereuse.

Incompatibilités : Puissants agents oxydants et halogènes.

Produits de décomposition dangereux : Dioxyde de carbone, monoxyde de carbone.

## Section 11. Renseignements toxicologiques

Aucune donnée disponible.

## Section 12. Information écologique

Renseignements sur le sort des agents chimiques : Les composants d'hydrocarbures se décomposeront dans le sol; ils sont relativement persistants dans l'eau.

## Section 13. Considération relative à l'élimination

Éliminer comme déchet solide au sens des règlements locaux, provinciaux et fédéraux.

## Section 14. Renseignements sur le transport

Classement DOT : Non classé dangereux.

## Section 15. Information réglementaire

SARA Titre III Avis du fournisseur : inclure dans la section 311/312 des rapports de stock si les quantités dépassent 10 000 livres. Les composants d'aluminium sont assujettis aux exigences de signalement en vertu de la section 313 de la loi *Emergency Planning and Community Right-to-Know Legislation de 1986* (40 CFR 372). Ingrédients énumérés dans l'inventaire des stocks de la TSCA.

## Section 16. Autres renseignements

Cette information est fournie sans garantie, expresse ou implicite, sauf d'exactitude au meilleur de notre connaissance.

### Solutions de régulation et d'automatisation

Honeywell International Inc.  
1985 Douglas Drive North  
Golden Valley, MN 55422

Honeywell Limited-Honeywell Limitée  
35, Dynamic Drive  
Toronto (Ontario) M1V 4Z9  
customer.honeywell.com

# Honeywell



# L7224U Controlador electrónico para aceite Aquastat®

## INSTRUCCIONES PARA LA INSTALACIÓN

### APLICACIÓN

El controlador electrónico para aceite L7224U Aquastat® habilitado con EnviraCOM™ proporciona detección electrónica de temperatura en un controlador de límites especificados por UL con una sonda detectora. El L7224U controla el circulador, el quemador de aceite y la temperatura de la caldera.

El L7224U es apto para el "Reinicio de temperatura exterior", que se habilita cuando está conectado al módulo de reinicio exterior. Esta opción está destinada para todas las aplicaciones, excepto para sistemas de serpentín sin tanque para agua caliente doméstica.

El L7224U reemplaza a los controladores L8124A, L8124C, L7124U, L7148A, L7248A,C, L7224A,C y L8148A y está destinado para aplicaciones residenciales.

### IMPORTANTE

*El uso del reinicio de temperatura exterior en una aplicación de serpentín sin tanque, que requiere una configuración de límite mínimo, puede provocar una disminución en la efectividad y la eficiencia del sistema.*

*El L7224U muestra el estatus y la información de diagnóstico mediante un visualizador LED combinado con luces LED, como también con termostatos de comunicación habilitados con EnviraCOM y herramientas de diagnóstico, para mejorar el proceso de diagnóstico.*

### ESPECIFICACIONES

#### Clasificación eléctrica:

Voltaje: 120 V CA, 60 Hz.

Alimentación eléctrica: máximo de 7 VA a 120 V CA más cargas externas.

Corriente del termostato: 100 mA nominal a 24 V CA.

Relé del quemador:

7,4 A a 120 V CA a plena carga;

aflujo de corriente de 44,4 A, amperaje con rotor bloqueado;

Carga menor de encendido: 360 VA.

Relé del circulador:

7,4 A a 120 V CA a plena carga; aflujo de corriente de 44,4 A, amperaje con rotor bloqueado.

Controlador de zonas (ZC): 7,4 A a 120 V CA a plena carga;  
aflujo de corriente de 44,4 A, amperaje con rotor bloqueado.

NOTE: todas las cargas combinadas no pueden exceder los 2000 VA.

#### Parámetros ambientales:

Temperatura: -30 °F a +150 °F (-34 °C a +66 °C).

Humedad: 0 a 95% de humedad relativa, sin condensación.

#### Aprobaciones:

Reconocimiento de los componentes por parte de Underwriters Laboratories Inc.

Reconocimiento de los componentes por parte de Canadian Underwriters Laboratories Inc.

#### Accesorios (pedir por separado):

Kit de reinicio exterior AquaReset™ W8735S1000 (incluye el módulo de reinicio exterior 50022037-002 y el sensor de temperatura exterior C7089U1006).

Kit para agua caliente doméstica AquaReset™ W8735S1008 (incluye el módulo para agua caliente doméstica 50022037-005 y el sensor 32003971-003).

Sensor de temperatura exterior C7089U1006 (utilizado con el 50022037-002).

Sensor de temperatura 32003971-003 (utilizado con el 50022037-005).

Sensor (consulte la Tabla 2).

Abrazadera del cilindro para sensor 121371AA.

Fusible para cartucho de vidrio 14000485-016 de 1/4 de pulgada (6,35 mm) de diámetro y 1-1/4 pulgadas (31,75 mm) de largo, 1 A, de acción retardada.

Compuesto conductivo de calor 120650.

Tabla 1. Cilindros para el controlador L7224U

Número de pieza	Tamaño de la espita en pulgadas (mm)	Inserción en pulgadas (mm)	Aislamiento en pulgadas (mm)
123869A	1/2 (12,7) NPT	3 (76,2)	1-1/2 (38,1)
123870A	3/4 (19,05) NPT	3 (76,2)	1-1/2 (38,1)

Tabla 2. Sensores para el controlador L7224

Número de pieza	Longitud en pulgadas (mm)	Aplicación
50001464-001	12 (304,8)	Controles con montaje en cilindro
50001464-002	18 (457,2)	Controles con montaje a ras
50001464-003	24 (609,6)	
50001464-004	36 (914,4)	
50001464-005	48 (1219,2)	

## INSTALACIÓN

### Cuando instale este producto...

1. Lea detenidamente estas instrucciones. De no seguir las, se podría dañar el producto o provocar una situación peligrosa.
2. Verifique los valores nominales en el producto y en las instrucciones, para asegurarse de que el producto sea adecuado para la aplicación.
3. El instalador debe ser un técnico de servicio capacitado y experimentado.
4. Después de terminar la instalación, verifique el funcionamiento del producto tal como se indica en estas instrucciones.
5. Ajuste el límite máximo, el límite mínimo y el diferencial según las configuraciones recomendadas por el fabricante del equipo original (OEM) de la caldera.

6. Registre la configuración máxima del límite máximo del controlador reemplazado en el cuadro de texto incluido en la etiqueta del inserto de la cubierta.
7. Registre la configuración del límite máximo al momento de la instalación en el cuadro de texto incluido en la etiqueta del inserto de la cubierta.



## ADVERTENCIA

**Peligro de descarga eléctrica.**

**Puede causar lesiones graves, muerte o daño a la propiedad.**

Desconecte el suministro eléctrico antes de comenzar la instalación para evitar descargas eléctricas o daños al equipo.

### Montaje

El L7224U puede instalarse con un montaje en cilindro, en posición horizontal o vertical, o con un montaje a ras en un área remota con respecto al cilindro.

#### IMPORTEANTE

*El cilindro de inmersión debe encajar en el elemento sensor y el sensor debe quedar apoyado contra la parte inferior del cilindro.*

### Instalación nueva

Pida los ensambles de cilindros por separado; consulte la Tabla 1 y el formulario N.º 68-0040, Cilindros de inmersión y conectores de compresión para controladores de temperatura. Las calderas generalmente tienen perforaciones para que el cilindro pueda montarse en posición horizontal, de modo que el agua de la caldera que se encuentra a temperatura promedio pueda circular libremente en el cilindro. Consulte la Fig. 1. para ver las dimensiones del montaje.

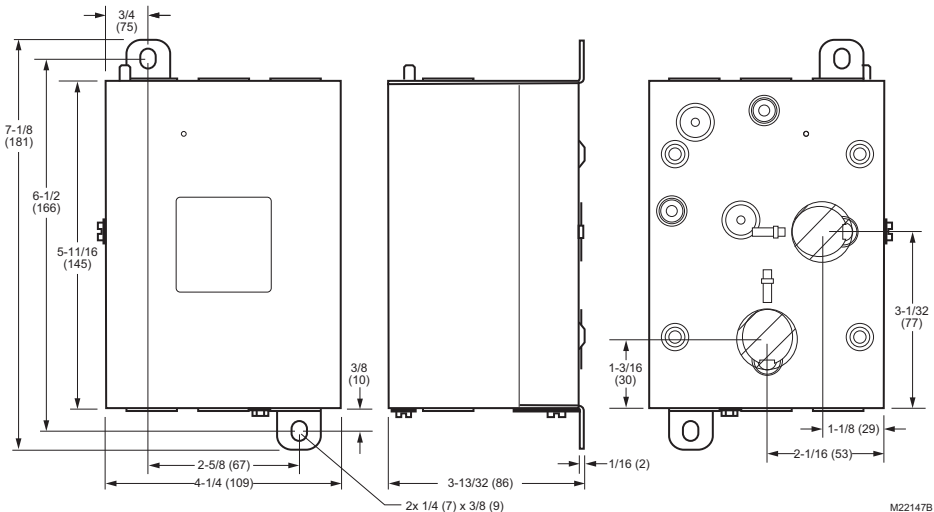
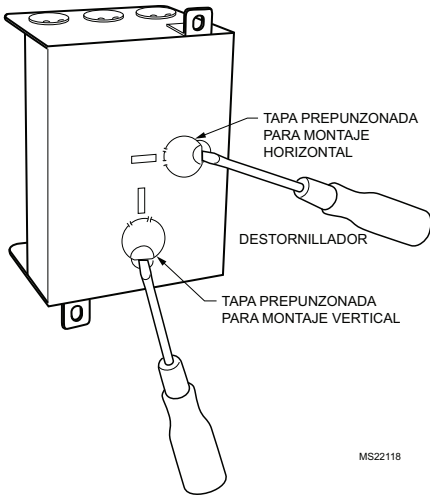


Fig. 1. Dimensiones del montaje del L7224U en pulgadas (mm).

1. Desconecte la energía eléctrica y vacíe la caldera, si corresponde.
2. Si no cuenta con una perforación, prepare una perforación con rosca de tamaño adecuado cerca de la parte superior de la caldera.
3. Cubra moderadamente las roscas del cilindro con lubricante para tuberías.

NOTA: no intente ajustar utilizando la cubierta como manija.

- Coloque el cilindro en la perforación de la caldera y ajústelo por completo.
- Vuelva a llenar la caldera y verifique que no haya ninguna filtración de agua.
- Identifique si la instalación requiere de un montaje horizontal o vertical.
- Quite la tapa prepunzonada del cilindro, ya sea para montaje horizontal o vertical, haciendo palanca en la tapa prepunzonada con cuidado desde la parte posterior de la cubierta con un destornillador de hoja plana. Consulte la Fig. 2.



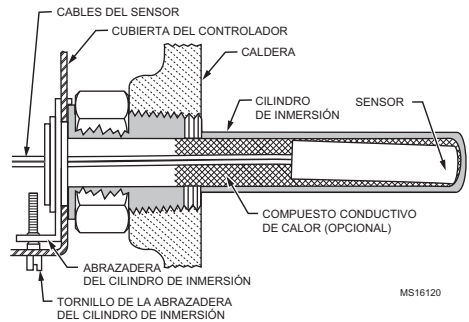
**Fig. 2. Remoción de la tapa prepunzonada para el montaje horizontal o vertical.**

- Afloje, pero no quite, el tornillo de la abrazadera del cilindro.
- Encaje la cubierta en el cilindro de manera que la abrazadera de la cubierta se deslice sobre la brida del cilindro.
- Ajuste bien el tornillo de la abrazadera.
- Introduzca el elemento sensor en el cilindro hasta que toque fondo. (Si es necesario, doble un poco el cable que se encuentra dentro de la cubierta para mantener el sensor contra la parte inferior del cilindro).
- CONECTE la energía eléctrica.
- Ajuste el límite máximo, el límite mínimo y los diferenciales según las configuraciones recomendadas por el OEM de la caldera. (Vea la sección FUNCIONAMIENTO; también consulte los pasos 6 y 7 de la sección INSTALACIÓN).

### IMPORTANTE

Si utiliza un cilindro que encaje correctamente en el sensor, obtendrá una mejor respuesta térmica. Introduzca el sensor hasta que quede apoyado contra la parte inferior del cilindro. Utilice un cilindro de longitud adecuada y doble el cable, si es necesario, para mantener el bulbo contra la parte inferior del cilindro.

Si el cilindro no encaja bien en el sensor, utilice el compuesto conductivo de calor (incluido en los modelos TRADELINE®), tal como se indica a continuación: pliegue la bolsa de plástico del compuesto longitudinalmente y gírela suavemente. Luego, corte el extremo de la bolsa y utilice el extremo abierto de la bolsa para colocarla a lo largo de todo el cilindro. Retire lentamente la bolsa mientras la aprieta con firmeza para distribuir el compuesto de manera uniforme en el cilindro. Doble el cable, si es necesario, para mantener el sensor contra la parte inferior del cilindro y para mantener el extremo externo del sensor en contacto firme con la parte lateral del cilindro. Consulte la Fig. 3. Limpie el exceso de compuesto del extremo externo del cilindro.



**Fig. 3. Posición del sensor en el cilindro de inmersión.**

## Reemplazo del Aquastat montado a ras

Desconecte la energía eléctrica y retire el controlador viejo. Consulte el inserto de la cubierta del controlador viejo para identificar y marcar cada conductor externo a medida que se desconecten. Si el cilindro viejo no es compatible con la nueva instalación, retírelo y reemplácelo por un cilindro nuevo compatible. Si el cilindro viejo es compatible, utilícelo. Consulte las Fig. 1 y 4 para ver la ubicación de la lengüeta de montaje.

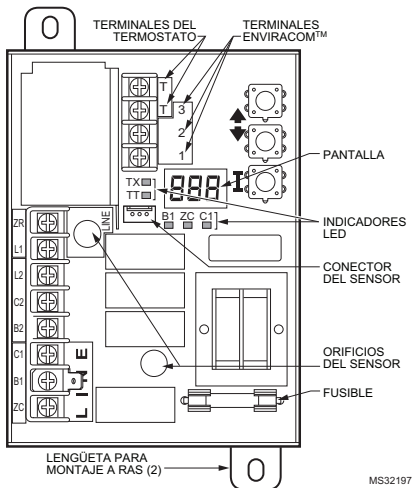


Fig. 4. Ubicación de los LED y las lengüetas para el montaje a ras del L7224U.

## Reemplazo del Aquastat montado en cilindro

Desconecte la energía eléctrica y retire el controlador viejo. Consulte el inserto de la cubierta del controlador viejo para identificar y marcar cada conductor externo a medida que se desconectan. Si el cilindro viejo no es compatible con la nueva instalación, retírelo y proceda con las instrucciones para la instalación nueva. Si el cilindro viejo es compatible, utilícelo.

1. Afloje, pero no quite, el tornillo de la abrazadera del cilindro que se encuentra en la parte lateral de la cubierta del controlador.
2. Coloque la abrazadera del cilindro de inmersión perfectamente sobre la brida del adaptador y ajuste el tornillo de la abrazadera.
3. Introduzca el sensor en el cilindro, tal como se muestra en la Fig. 5. (Si lo desea, distribuya el compuesto conductivo de calor en el tubo antes de insertar el sensor, tal como se indica en Instalación nueva).
4. Asegúrese de que el sensor esté completamente asentado en la parte inferior del cilindro (Fig. 5). Si es necesario, utilice un lápiz pequeño para medir la profundidad del sensor en el cilindro.

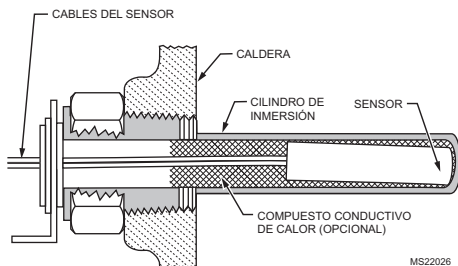


Fig. 5. Instalación del sensor de reemplazo.

## Instalación del sensor de reemplazo

Desconecte toda la energía eléctrica y, con cuidado, desconecte el sensor del circuito halando suavemente del conector.

1. Hale suavemente el sensor desde el cilindro térmico y a través del circuito impreso halándolo por los cables conductores.
2. Con cuidado, alinee el sensor de reemplazo con el orificio del circuito impreso y guíelo a través de la cubierta Aquastat y dentro del cilindro. Consulte la Fig. 5.
3. Asegúrese de que el sensor esté completamente asentado en la parte inferior del cilindro (consulte la Fig. 5). Si es necesario, utilice un lápiz pequeño para medir la profundidad del sensor en el cilindro.
4. Para conectar el sensor al circuito impreso, presione el conector de la unidad del sensor sobre el conector de acoplamiento del circuito impreso (consulte la Fig. 6).
5. Para sensores remotos (Aquastat montado a ras), asegúrese de utilizar la abrazadera 121371AA para mantener el sensor firme en su lugar. Consulte la sección Accesorios.

## CABLEADO

### ⚠ ADVERTENCIA

**Peligro de descarga eléctrica. Puede ocasionar lesiones graves o la muerte.**  
Desconecte el suministro eléctrico antes de realizar las conexiones de cableado para evitar descargas eléctricas o daños al equipo.

Todo el cableado debe cumplir con las ordenanzas y los códigos eléctricos locales. No exceda las especificaciones de la sección Aplicación cuando realice el cableado de este controlador.

### IMPORTANTE

*Los terminales de estos controladores Aquastat están aprobados para ser utilizados únicamente con cables de cobre.*

Siga los diagramas de cableado correspondientes que figuran en el interior de la cubierta frontal del L7224U o en las Fig. 9–13.

Consulte la Fig. 6 para ver las conexiones para el módulo de reinicio exterior y el módulo para agua caliente doméstica (DHW). En los diagramas de cableado subsiguientes, estos módulos se mostrarán con una línea de puntos para indicar que son opcionales.

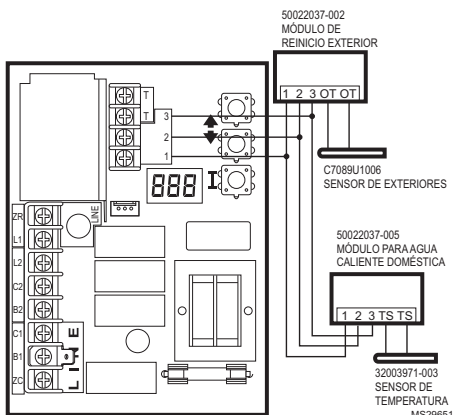


Fig. 6. Cableado del módulo de reinicio exterior y del módulo para agua caliente doméstica.

(agua o caldera) y la temperatura exterior máxima en la pantalla de tres dígitos. El rango de la temperatura exterior mínima es de  $-40^{\circ}\text{F}$  a  $40^{\circ}\text{F}$  ( $-40^{\circ}\text{C}$  a  $4.4^{\circ}\text{C}$ ) y tiene una configuración predeterminada de  $0^{\circ}\text{F}$  ( $-18^{\circ}\text{C}$ ). El rango de la temperatura exterior máxima es de  $30^{\circ}\text{F}$  a  $70^{\circ}\text{F}$  ( $-1^{\circ}\text{C}$  a  $21^{\circ}\text{C}$ ) y tiene una configuración predeterminada de  $40^{\circ}\text{F}$  ( $4.4^{\circ}\text{C}$ ). El rango de la temperatura mínima (agua o caldera) es de  $80^{\circ}\text{F}$  a  $180^{\circ}\text{F}$  ( $27^{\circ}\text{C}$  a  $82^{\circ}\text{C}$ ) y tiene una configuración predeterminada de  $130^{\circ}\text{F}$  ( $54^{\circ}\text{C}$ ). Consulte las instrucciones para la instalación del "Módulo de reinicio exterior" (formulario número 69-2335) para obtener más información acerca de la configuración de la curva de reinicio de la caldera y de todos los parámetros relacionados.

El L7224U está diseñado para utilizarse con termostatos electromecánicos y electrónicos de 24 V CA o con termostatos habilitados con EnviraCOM™, y tienen terminales tipo tornillo para una fácil conexión en campo.

Para reemplazar un controlador L8148A,C, L7148A o L7248A,C, se deberá desactivar la función de límite mínimo; consulte Ajuste de las configuraciones para obtener instrucciones.

## Ajuste de las configuraciones

Para evitar cambios no autorizados de las configuraciones del Aquastat, es necesario realizar un procedimiento para ingresar al modo **ADJUSTMENT** (ajuste). Para ingresar al modo **ADJUSTMENT** (ajuste), presione simultáneamente los botones **UP** (arriba), **DOWN** (abajo) e **I** (consulte la Fig. 9) durante tres segundos. Presione el botón **I** hasta que se muestre la función que necesita ajustar:

Display	Definition
HL_	límite máximo.
Hdf	diferencial del límite máximo.
LL_	límite mínimo.
Ldf	diferencial del límite mínimo.
duu	entrada de petición de zona (ZR) configurada como petición de agua caliente doméstica (DHW) (ON [encendido]/OFF [apagado]).
ASC	interrupción del ciclo anticorto (segundos); "OFF" (apagado) está desactivado.
otL	parámetro de temperatura exterior baja (mínima) para la curva de reinicio exterior (F o C)*.
otH	parámetro de temperatura exterior alta (máxima) para la curva de reinicio exterior (F o C)*.
btL	parámetro de temperatura baja (mínima) de la caldera para la curva de reinicio exterior*.
bP	período de refuerzo (minutos). "OFF" (apagado) se muestra si el refuerzo está inactivo*.
bS	fase de refuerzo (F o C) que se muestran únicamente si el refuerzo está activo (bP=ON [encendido])*.
UUS	temperatura de apagado en climas cálidos (F o C)*.
F-C	unidades de temperatura (F o C).

\* Configuraciones disponibles para el ajuste en la pantalla de tres dígitos únicamente si se instala el módulo de reinicio exterior AquaReset.

## FUNCIONAMIENTO

### General

El controlador electrónico para aceite Aquastat L7224U es un dispositivo primario de seguridad con límite nominal diseñado para ser utilizado con calderas a aceite con quemadores y circuladores de voltaje de línea. Muchas calderas no incluyen los compartimientos para el cableado o el controlador como parte del diseño, pero tienen un cilindro de inmersión reemplazable e integral que funciona como accesorio de montaje para los controladores Aquastat. El cableado hacia otros controladores se realiza mediante un conducto de metal flexible.

Para las calderas que incluyen un controlador montado de forma remota (a ras), el cableado puede completarse con un conducto o colocar detrás de la lámina de metal de la caldera.

No se requiere un límite máximo electromecánico por separado en un sistema que utilice este controlador a fin de cumplir con los requisitos de Underwriters Laboratories Inc. para ensambles de calderas a aceite, UL 726.

Para el L7224U, el límite máximo, el diferencial del límite máximo, el límite mínimo, el diferencial del límite mínimo y el tiempo del ciclo anticorto pueden ajustarse a las configuraciones recomendadas por el OEM de la caldera.

El rango general del límite máximo es de  $130^{\circ}\text{F}$  a  $240^{\circ}\text{F}$  ( $54^{\circ}\text{C}$  a  $116^{\circ}\text{C}$ ). Algunos dispositivos exclusivos pueden tener diferentes rangos. Algunos modelos tienen rangos limitados para el punto de referencia del límite máximo; estos rangos limitados están indicados en la etiqueta del dispositivo.

El rango del límite mínimo es de  $110^{\circ}\text{F}$  a  $220^{\circ}\text{F}$  ( $43^{\circ}\text{C}$  a  $104^{\circ}\text{C}$ ). Algunos dispositivos exclusivos pueden tener diferentes rangos. El rango de tiempo del ciclo anticorto es de APAGADO (OFF) a cinco minutos.

Si se instala un "módulo de reinicio exterior" 50022037-002, la curva de reinicio puede configurarse ingresando la temperatura exterior mínima, la temperatura mínima

Luego, presione los botones **UP** (arriba) o **DOWN** (abajo) para mover el punto de referencia hasta el valor deseado. Después de 60 segundos sin presionar botones, el controlador regresará automáticamente al modo **RUN** (ejecutar).

Para utilizar el L7224U en una aplicación de calderas de arranque en frío, desactive la función de límite mínimo presionando simultáneamente el botón de flecha **UP** (arriba), el botón de flecha **DOWN** (abajo) y el botón **I** durante tres segundos. Luego, presione el botón **I** hasta observar **LL\_**. A continuación, presione el botón de flecha hacia abajo hasta ver **OFF** (apagado).

## Pantalla

En el modo **RUN** (ejecutar), el Aquastat mostrará "bt" (temperatura de la caldera) seguido por la temperatura (es decir, 220), seguido por °F o °C.

Para ver las configuraciones de la caldera, presione la tecla **I** para ver el parámetro que le interesa. Por ejemplo, presione **I** y aparecerá **HL** (límite máximo), seguido por un número de tres dígitos, es decir, 220, seguido por °F o °C. Si presiona nuevamente el botón **I**, aparecerá **LL** (límite mínimo) seguido por un número de tres dígitos y el correspondiente denominador de grados. Consulte la Fig. 7 para obtener una explicación de la lectura de la pantalla.

Después de, aproximadamente, 60 segundos sin presionar ninguna tecla, la pantalla entrará en el modo de pantalla tenue. Para regresar al modo de pantalla luminosa, simplemente presione y suelte cualquier tecla.

Texto	Descripción	La pantalla muestra
<i>Err</i>	Código de error (si hubiera uno)	<i>Err</i>
<i>bt</i>	Temperatura de la caldera	<i>bt</i>
<i>HL</i>	△ Límite máximo	<i>HL</i>
<i>HdF</i>	Diferencial del límite máximo	<i>HdF</i>
<i>LL</i>	Límite mínimo (únicamente en el L7224)	<i>LL</i>
<i>Ldf</i>	Diferencial del límite mínimo (únicamente en el L7224)	<i>Ldf</i>
<i>tt</i>	Estado del termostato local	<i>tt</i>
<i>ttE</i>	Estado del termostato EnviraCOM	<i>ttE</i>
<i>brn</i>	Salida B1 (quemador) (ON [encendido] u OFF [apagado])	<i>brn</i>
<i>Cir</i>	Salida C1 (circulador) (ON [encendido] u OFF [apagado])	<i>Cir</i>
<i>ZC</i>	Salida ZC (control de zonas) (ON [encendido] u OFF [apagado])	<i>ZC</i>
<i>Zr</i>	Orden de CALEFACCIÓN de ZR (petición de zona) (ON [encendido] u OFF [apagado])	<i>Zr</i>
<i>ELL</i>	Límite mínimo exterior habilitado (únicamente en el L7248L)	<i>ELL</i>
<i>duu</i>	Petición de zona (ZR) configurada como petición de agua caliente doméstica (únicamente en los modelos L7224, L7248L)	<i>duu</i>
<i>ASC</i>	Interrupción del ciclo anticorto	<i>ASC</i>
<i>bSP</i>	△ Punto de referencia de la caldera	<i>bSP</i>
<i>dhc</i>	△ Módulo para agua caliente doméstica conectado (YES [sí] u NO [no])	<i>dhc</i>
<i>ot</i>	△ Temperatura exterior	<i>ot</i>
<i>otL</i>	△ Temperatura exterior baja	<i>otL</i>
<i>otH</i>	△ Temperatura exterior alta	<i>otH</i>
<i>btL</i>	△ Temperatura baja de la caldera	<i>btL</i>
<i>bP</i>	△ Período de refuerzo	<i>bP</i>
<i>bS</i>	△ Fase de refuerzo	<i>bS</i>
<i>UUS</i>	△ Temperatura de apagado en climas cálidos	<i>UUS</i>
<i>°F</i>	Las unidades se muestran en grados Fahrenheit	<i>°F</i>
<i>°C</i>	Las unidades se muestran en grados Centígrados	<i>°C</i>
<i>OFF</i>	La entrada o la salida están en OFF (apagado)	<i>OFF</i>
<i>On</i>	La entrada o la salida están en ON (encendido)	<i>On</i>

△ LA PANTALLA MUESTRA LA CONFIGURACIÓN LOCAL; NO LA CONFIGURACIÓN MODIFICADA MEDIANTE UN CONTROL EXTERNO ENVIRACOM.

△ LAS CONFIGURACIONES SON VISIBLES ÚNICAMENTE SI EL MÓDULO DE REINICIO EXTERIOR Y EL SENSOR DE TEMPERATURA EXTERIOR ESTÁN INSTALADOS Y FUNCIONAN CORRECTAMENTE.

△ LAS CONFIGURACIONES SON VISIBLES ÚNICAMENTE SI EL MÓDULO PARA AGUA CALIENTE DOMÉSTICA Y EL SENSOR ESTÁN INSTALADOS Y FUNCIONAN CORRECTAMENTE.

MS29552A

**Fig. 7. Explicación de la lectura de la pantalla.**

\* Las configuraciones son visibles en la pantalla de tres dígitos únicamente si se instala el "Módulo de reinicio exterior".

## Funcionamiento

El L7224U puede encontrarse en cualquiera de los cuatro estados de funcionamiento: normal, límite máximo, límite mínimo y error. El controlador va y viene entre el estado de límite máximo y el estado normal y de límite mínimo, como parte del funcionamiento normal. Los estados de funcionamiento son:

1. Normal: la temperatura de la caldera descendió por debajo de la configuración de límite máximo (menos el diferencial) y no superó la configuración de límite máximo; o bien, la temperatura de la caldera superó la configuración de límite mínimo y no descendió por debajo de la configuración de límite mínimo (menos el diferencial).
2. Límite máximo: la temperatura de la caldera superó la configuración de límite máximo y no descendió por debajo de la configuración de límite máximo (menos el diferencial).
3. Límite mínimo: la temperatura de la caldera descendió por debajo de la configuración de límite mínimo (menos el diferencial del límite mínimo) y no superó la configuración de límite mínimo.
4. Error: el controlador detectó una condición de error (por ejemplo, un sensor abierto) y cerró la salida del quemador. La salida del control de zonas (ZC) se activa. El controlador continúa monitoreando el sistema y automáticamente se reinicia si la condición de error desaparece. Consulte la Tabla 4-6.

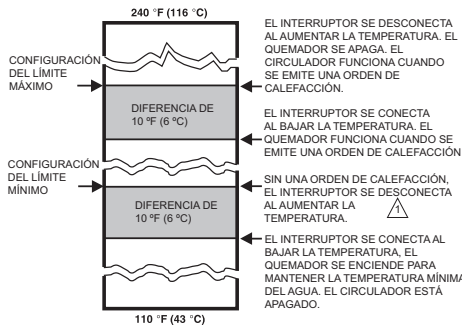
La secuencia de funcionamiento para el L7224U se muestra en la Tabla 3.

### Controlador de límite máximo

El límite máximo enciende y apaga el quemador cuando la temperatura del agua alcanza el punto de referencia. El límite máximo se reinicia automáticamente después de que la temperatura del agua desciende por debajo del punto de referencia y por el diferencial ajustable.

### Controlador de límite mínimo y circulador

Al elevarse la temperatura, el circuito del quemador se desconecta y el circuito del circulador se conecta (suponiendo que no exista una orden de calefacción) en el punto de referencia del límite mínimo. Al registrarse un descenso de temperatura de 10 °F (6 °C) por debajo del punto de referencia del límite mínimo (con el diferencial ajustable en la configuración mínima de 10 °F [6 °C]), el circuito del quemador se conecta y el circuito del circulador se desconecta. Consulte la Fig. 7.



⚠ CUANDO EL AGUA ALCANZA LA CONFIGURACIÓN DE LÍMITE MÍNIMO, EL QUEMADOR SE APAGA O LA BOMBA DEL CIRCULADOR SE ENCIENDE (CUANDO SE EMITE UNA ORDEN DE CALEFACCIÓN).

MS23365

Fig. 8. Puntos de referencia y diferenciales.

NOTA: no podrá configurar el límite mínimo por encima del límite máximo ni por debajo del diferencial del límite máximo, ya que podría ocasionar un mal funcionamiento del circulador y del control de zonas.

### Función de ciclo anticorto

La función de ciclo anticorto permite la selección en campo de un tiempo de retardo mínimo entre los ciclos del quemador. Si se emite una orden de calefacción al finalizar el ciclo de calefacción anterior y antes de que se acabe el tiempo de retardo del ciclo anticorto, el circulador podrá comenzar a funcionar, pero el quemador no se encenderá hasta que haya transcurrido el tiempo.

NOTA: la función de ciclo anticorto se interrumpirá si se emite una orden de agua caliente doméstica. Los órdenes de agua caliente doméstica se brindan de inmediato, sin retardos.

NOTA: cuando el Aquastat está conectado al control primario de aceite o al termostato mediante el bus EnviraCOM, el tiempo del ciclo anticorto no se aplica para reciclar situaciones tales como la pérdida de la llama o del flujo de aire. Solo se aplica cuando no hay una orden.

### ZR: petición de agua caliente doméstica (DHW)

El terminal ZR del L7224U puede estar configurado para brindar una petición de calefacción mediante un calentador indirecto de agua. Este parámetro se configura a través de la pantalla de tres dígitos (consulte la sección Ajuste de las configuraciones en este documento). Una petición de calefacción a través del terminal ZC tendrá prioridad sobre todas las demás funciones, tales como la función de ciclo anticorto o aquellas funciones habilitadas mediante el módulo de reinicio exterior (consulte el formulario 69-2235 para obtener más información).

## VERIFICACIÓN

Haga funcionar el sistema y observe, al menos, un ciclo completo para asegurarse de que el controlador esté funcionando bien. Consulte la sección LOCALIZACIÓN Y SOLUCIÓN DE PROBLEMAS para utilizar el LED que le ayudará a identificar el funcionamiento del sistema.

## LOCALIZACIÓN Y SOLUCIÓN DE PROBLEMAS

Cuando intente diagnosticar el funcionamiento del sistema, consulte el visualizador LED que le ayudará a identificar las áreas específicas que no están funcionando correctamente. El visualizador LED mostrará **Err**, seguido de un dígito (1-8). Consulte la Tabla 7 para obtener una descripción de cada error y las acciones sugeridas, y la Tabla 8 para obtener una guía de localización y solución de problemas.

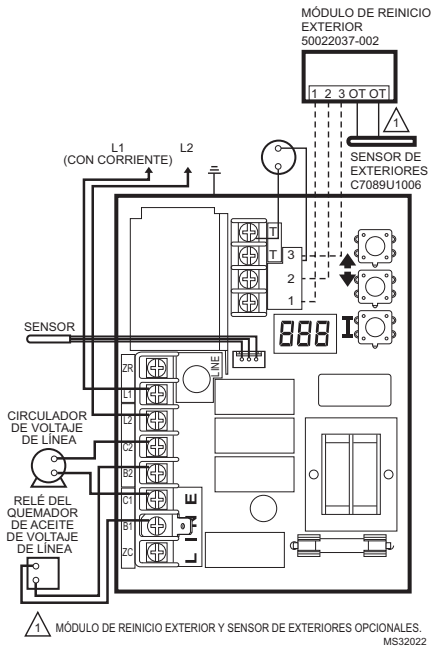


Fig. 9. Conexiones de una sola zona para el L7224U.

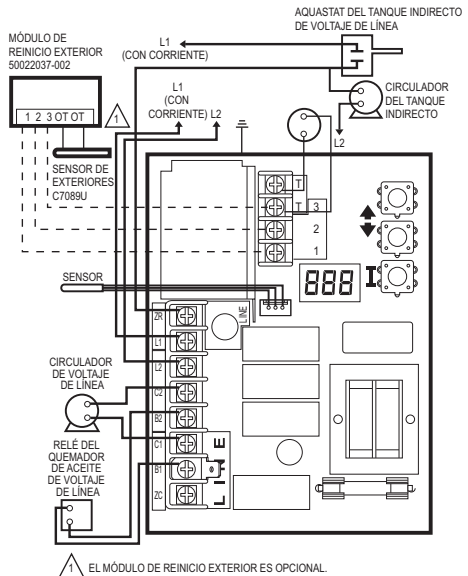


Fig. 10. L7224U de una sola zona de calor con tanque de agua indirecto y circuladores. Módulo de reinicio exterior opcional.

Tabla 3. Secuencia de funcionamiento de los controladores L7224/L7248.

Acción	Respuesta del sistema
Órdenes de calefacción del termostato.	El circulador se enciende cuando la temperatura del agua supera la configuración de límite mínimo (si corresponde). Se verifica la temperatura de la caldera. El quemador se enciende cuando la temperatura del agua es inferior a la configuración de límite máximo menos el diferencial. Si se habilita el tiempo de ciclo anticorto, el quemador no se encenderá hasta que transcurra el tiempo del ciclo anticorto configurado entre los ciclos, luego de que se haya cumplido la orden de calefacción anterior.
La temperatura de la caldera supera el límite máximo.	El quemador se apaga. El quemador se enciende nuevamente cuando la temperatura del agua descendiendo por debajo de la configuración de límite máximo menos el diferencial.
El termostato está a gusto.	El circulador y el quemador se apagan.



**Tabla 3. Secuencia de funcionamiento de los controladores L7224/L7248.**

Acción	Respuesta del sistema
La temperatura de la caldera desciende por debajo de la configuración de límite mínimo menos el diferencial (si corresponde).	El quemador se enciende y el circulador se apaga. El quemador se detiene cuando la temperatura del agua supera la configuración de límite mínimo. Se interrumpe la alimentación a Zc.
Condiciones de error 1-5.	Si se detecta una condición de error, todas las salidas, excepto el ZC, se cierran. El quemador está apagado. El controlador continúa funcionando y se enciende nuevamente cuando el error se soluciona. Durante la secuencia de verificación del error, el sistema controla si hay variaciones en el sensor o corrosión en las conexiones.
Condición de error 6.	La comunicación EnviraCOM no está disponible.
Condición de error 7.	El controlador reinició la configuración de límite máximo, límite mínimo y diferencial en una configuración predeterminada y continuará funcionando con esas configuraciones. El rendimiento del sistema disminuirá.
Condición de error 8.	Si se detecta la condición de error, todas las salidas, excepto el ZC, se cierran. El quemador está apagado. El controlador continúa funcionando y se encenderá nuevamente cuando las tres teclas del usuario se presionen simultáneamente durante más de 60 segundos.
Condición de error 9*.	El sistema continúa funcionando sin la función de reinicio exterior.
Condición de error 10*.	El sistema continúa funcionando con los parámetros de reinicio exterior habilitados en la programación. El error desaparece automáticamente.
Condición de error 11*.	El sistema continúa funcionando con la temperatura de la caldera configurada en el límite máximo.

\* La condición de error está disponible únicamente si se instala el módulo de reinicio exterior.

**Tabla 4. Secuencia de funcionamiento del controlador L7224 con múltiples zonas conectadas mediante el terminal ZR.**

Acción	Respuesta del sistema
El terminal de petición de zona (ZR) está conectado a L1 (la zona emite una orden de calefacción).	Se verifica la temperatura de la caldera. El quemador se enciende cuando la temperatura del agua es inferior a la configuración de límite máximo. Se aplica el tiempo del ciclo anticorto, consulte la Tabla 3.
La temperatura de la caldera supera el límite máximo.	El quemador se apaga. El quemador se enciende nuevamente cuando la temperatura del agua desciende por debajo de la configuración de límite máximo menos el diferencial.
La entrada de petición de zona se desactiva (las zonas están a gusto).	El quemador se apaga.
La temperatura de la caldera desciende por debajo de la configuración de límite mínimo menos el diferencial (si corresponde).	El quemador se enciende y el control de zonas se desactiva. El quemador se apaga y el control de zonas se vuelve a activar cuando la temperatura del agua supera la configuración de límite mínimo.

**Tabla 5. Secuencia de funcionamiento del controlador con dispositivo de límite mínimo exterior conectado mediante el terminal ZR.**

Acción	Respuesta del sistema
El terminal de petición de zona (ZR) está conectado a L1 (el límite mínimo exterior emite una orden de calefacción).	Se verifica la temperatura de la caldera. El quemador se enciende cuando la temperatura del agua es inferior a la configuración de límite máximo. El circulador se apaga.
La temperatura de la caldera supera el límite máximo.	El quemador se apaga. El quemador se enciende nuevamente cuando la temperatura del agua desciende por debajo de la configuración de límite máximo menos el diferencial.
La entrada de petición de zona se desactiva (el límite mínimo exterior está a gusto).	El quemador se apaga.

**Tabla 6. Secuencia de funcionamiento del controlador L7224 con agua caliente doméstica conectada mediante el terminal ZR.**

Acción	Respuesta del sistema
El terminal de petición de zona (ZR) está conectado a L1 (el agua caliente doméstica emite una orden de calefacción).	Se verifica la temperatura de la caldera. El quemador se enciende cuando la temperatura del agua es inferior a la configuración de límite máximo.
La temperatura de la caldera supera el límite máximo.	El quemador se apaga. El quemador se enciende nuevamente cuando la temperatura del agua desciende por debajo de la configuración de límite máximo menos el diferencial.
La entrada de petición de zona se desactiva (el agua caliente doméstica está a gusto).	El quemador se apaga.

Tabla 7. Códigos de error LED.

Código de error del Aquastat	Causa/acción	Alarma EnviraCOM
Err1	El sensor Aquastat falló; verifique el sensor de agua.	18
Err2	ECOM falló; verifique el cableado del EnviraCOM™.	18
Err3	Hay demasiado ruido eléctrico o la frecuencia está fuera de alcance. El equipo falló; reemplace el controlador.	18, 58
Err4	B1 falló; verifique el voltaje/cableado de B1.	64
Err5	Línea baja; verifique L1-L2, 110 V CA.	59
Err6 <sup>a</sup>	Advertencia: fusible; verifique los cables del ECOM, reemplace el fusible.	92
Err7	Advertencia: EEPROM, HL, LL, Hdf, Ldf; reinicie con los valores predeterminados.	N/D
Err 8 <sup>b</sup>	B1 falló nuevamente (hay voltaje en B1 cuando la salida está apagada); verifique el voltaje/cableado de B1.	25
Err9 <sup>a</sup>	Advertencia: falla en el sistema de reinicio exterior; se perdió la comunicación con el módulo de reinicio exterior, falla en el módulo de reinicio exterior, se detectaron múltiples sensores de temperatura exterior en el bus, o bien, hay una falla en el sensor de temperatura exterior. Verifique el cableado del EnviraCOM (1, 2, 3), verifique el cableado del sensor.	50, 53, 149
Err 10 <sup>a</sup>	Advertencia: falla del refuerzo; el modo de refuerzo estuvo activo, al menos, una vez por ciclo durante los últimos 60 ciclos consecutivos. Verifique las configuraciones de la curva de reinicio exterior.	150
Err 11 <sup>a</sup>	Falla en el sensor/módulo para DHW; se perdió la comunicación con el módulo para DHW, falla en el módulo para DHW o falla en el sensor de temperatura. Verifique el cableado del EnviraCOM (1, 2, 3), verifique el cableado del sensor.	146, 147, 148

<sup>a</sup> Se emitirán advertencias para informar que el sistema no está funcionando de forma óptima, pero el Aquastat continúa funcionando y mantiene la temperatura de la caldera. Si se utiliza un módulo de reinicio exterior, las advertencias pueden indicar un error en la configuración de la curva de reinicio; una o más funciones no están funcionando de forma óptima y el Aquastat regresa a las configuraciones predeterminadas o deja de hacer funcionar los algoritmos de reinicio exterior. Las advertencias desaparecen cuando se resuelven el o los problemas.

<sup>b</sup> Para borrar la condición Err 8, presione y mantenga presionadas simultáneamente las tres teclas del usuario durante 60 segundos. La condición Err 8 desaparece y la pantalla vuelve a su funcionamiento normal. La condición Err 8 está diseñada para detectar relés soldados en el Aquastat; esto únicamente ocurre, en condiciones normales, cerca del final de la vida útil del control. Si la condición Err 8 ocurre a comienzos de la vida útil de los controles, asegúrese de controlar la retroalimentación de voltaje a B1, cuando B1 debería estar apagado, y verifique el consumo de corriente en el terminal b para asegurarse de que el quemador no esté consumiendo corriente excesiva. La condición Err 8 continuará repitiéndose si no se borra la falla de B1.

## ADVERTENCIA

**Peligro de descarga eléctrica.**

**Puede ocasionar lesiones graves o la muerte.**

Todos los circuitos deben tener una desconexión común para evitar posibles descargas eléctricas.

Tabla 8. Guía de localización y solución de problemas.<sup>a</sup>

Condición del sistema	Condición de diagnóstico	Verificación	Acción
La caldera está fría, la casa está fría.	La pantalla está APAGADA.	Energía del sistema: 120 V CA.	Conecte la energía del sistema.
	La pantalla está ENCENDIDA. El LED TT está APAGADO.	T-T de 24 V CA.	No hay 24 V; reemplace el controlador.
	La pantalla está ENCENDIDA. El LED TT está APAGADO.	24 V presentes; desconecte el termostato, T-T corto.	La caldera se enciende, verifique el cableado y el termostato.
	La pantalla está ENCENDIDA. El LED TT está ENCENDIDO. El LED B1 está ENCENDIDO.	120 V CA en B1-B2.	<ul style="list-style-type: none"> <li>Si no es así, reemplace el controlador.</li> <li>Si es así, verifique el quemador y el cableado.</li> </ul>
	La pantalla está ENCENDIDA. El LED TT está ENCENDIDO.	Consulte el <b>Err</b> de la pantalla.	—

Tabla 8. Guía de localización y solución de problemas.<sup>a</sup>

Condición del sistema	Condición de diagnóstico	Verificación	Acción
La caldera está caliente, la casa está fría.	La pantalla está ENCENDIDA. El LED TT está ENCENDIDO. El LED C1 está ENCENDIDO.	120 V CA en C1-C2.	<ul style="list-style-type: none"> <li>• 120 V CA en C1-C2, verifique el cableado hacia la bomba.</li> <li>• El cableado está bien, ¿está funcionando la bomba? Si no es así, reemplace la bomba.</li> <li>• Si la bomba está funcionando, verifique que no haya aire atrapado ni válvulas de zona cerradas.</li> </ul>
	La pantalla está ENCENDIDA. El LED TT está ENCENDIDO. El LED C1 está APAGADO. El LED ZC está ENCENDIDO. <sup>b</sup>	La temperatura de la caldera es inferior a la temperatura de límite mínimo, espere a que la caldera supere la temperatura de límite mínimo.	—
	La pantalla está ENCENDIDA. El LED TT está ENCENDIDO. El LED ZC está APAGADO. <sup>c</sup>	¿La caldera supera el LL (límite mínimo)? Si es así, verifique que existan 120 V CA entre ZC y L2.	<ul style="list-style-type: none"> <li>• Si no hay 120 V CA, reemplace el controlador.</li> <li>• Si es así, verifique los relés de zonas, los circuladores y el cableado.</li> </ul>
La caldera está caliente, no hay agua potable caliente.			•

<sup>a</sup> Consulte la Fig. 7 para las ubicaciones de la pantalla y de los LED.

<sup>b</sup> El LED ZC ENCENDIDO indica que la alimentación del terminal ZC está APAGADA.

<sup>c</sup> El LED ZC APAGADO indica que la alimentación del terminal ZC está ENCENDIDA.

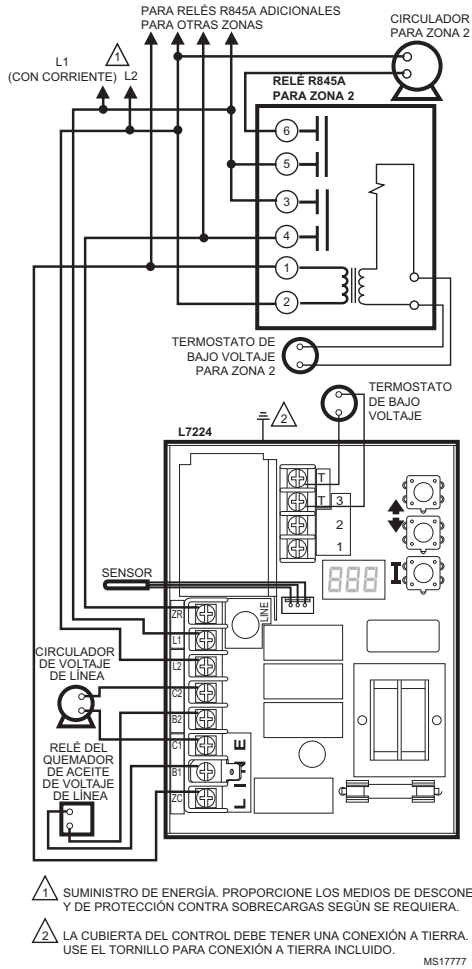
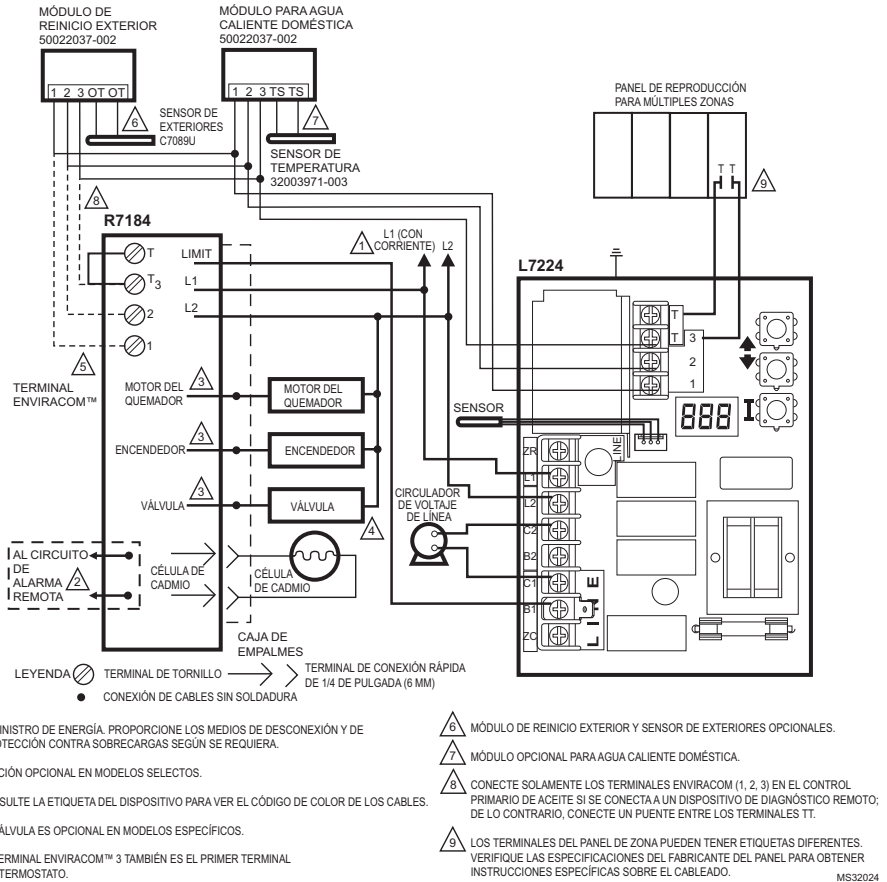
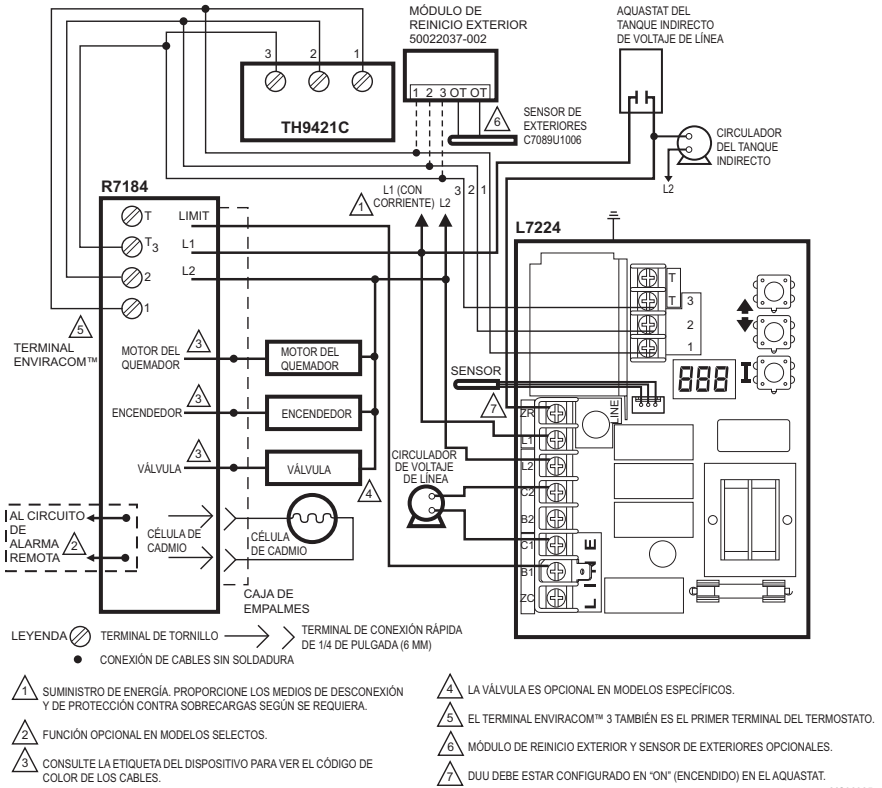


Fig. 11. Sistema de zonas múltiples del L7224U con conexiones para circuladores.



**Fig. 12. L7224U con sistema de zonas múltiples con módulos de agua caliente doméstica y de reinicio exterior (aplicaciones con tanque indirecto).**



MS32025

Fig. 13. L7224U con sistema de una zona con circulador, tanque de agua indirecta y termostato EnviraCOM™.

# HOJA DE DATOS DE SEGURIDAD DE MATERIALES (HDSM)

## Sección 1. Producto y compañía Identificación

Nombre del producto: compuesto conductivo de calor

IDENTIFICACIÓN DE LA HDSM: DS9021

Sinónimos: MS1699

Uso del producto: el material conductivo de calor se utiliza para mejorar el contacto y la transferencia de calor en aplicaciones con sensores de temperatura.

Fabricante: Honeywell Inc.  
1985 Douglas Drive North  
Minneapolis, MN 55422.

Fecha de publicación: 8 de octubre de 1999

Centro de respuesta al cliente: 800-328-5111

Información telefónica de emergencia: 888-809-3787

Clasificaciones NFPA:

salud 0; inflamabilidad 1; reactividad 0; protección personal B

## Sección 2. Composición e información sobre los ingredientes

Ingredientes	Número CAS	Porcentaje	PEL (límite de exposición permisible)	TVL (valor límite umbral)
Grasa de complejo de litio N.º 2 (70%):				
Aceite mineral	64742-65-0	35-50	5 mg/m <sup>3</sup>	5 mg/m <sup>3</sup>
Aceite mineral	64742-62-7	20-25	5 mg/m <sup>3</sup>	5 mg/m <sup>3</sup>
Hidroestearato de litio/complejo sebacato	68815-49-6	4-9	—	—
Alquilditiofosfato de zinc	68649-42-3	0-2	—	—
Pasta de aluminio (30%):				
Aluminio, como Al	7429-90-5	20-25	15 mg/m <sup>3</sup>	10 mg/m <sup>3</sup>
Destilados alifáticos de petróleo	8052-41-3	10-15	2900 mg/m <sup>3</sup>	525 mg/m <sup>3</sup>
Ácido esteárico	57-11-4	1-2	—	—
Destilados aromáticos de petróleo	64742-95-6	1-2	5 mg/m <sup>3</sup>	5 mg/m <sup>3</sup>

Información adicional: pieza N.º 120650 (tubo de 0,5 onzas [14,17 g]); pieza N.º 107408 (lata de 4 onzas [113,40 g]); pieza N.º 197007 (recipiente de 5 galones [19 l]). También puede contener cantidades mínimas de componentes lubricantes de litio y molibdeno.

## Sección 3. Identificación de riesgos

### Efectos graves para la salud:

Piel: el contacto excesivo puede causar irritación en la piel y dermatitis.

Ojos: el contacto directo con los ojos puede producir irritación.

Inhalación: no se esperan efectos adversos.

Ingestión: la ingestión del producto puede causar náuseas, vómitos y diarrea.

### Efectos crónicos para la salud:

Erupciones cutáneas o dermatitis existentes pueden agravarse con el contacto reiterado.

Clasificaciones de riesgos de la OSHA: ninguno.

Carcinogenicidad: no es considerada una sustancia carcinógena por OSHA, NTP, IARC ni ACGIH.

## Sección 4. Medidas de primeros auxilios

Contacto con los ojos: enjuague los ojos con agua durante 15 minutos. Quítese los lentes de contacto y continúe enjuagando. Si se presenta irritación y persiste, busque atención médica.

Contacto con la piel: retire el excedente con un paño o papel. Lávese muy bien con agua y jabón suave. Si se presenta irritación y persiste, busque atención médica.

Ingestión: consulte de *inmediato* a un médico o al centro local de control de envenenamiento.

Inhalación: lleve al paciente a un lugar con aire puro y busque atención médica si se presentan síntomas.

## Sección 5. Medidas en caso de incendios

Punto de inflamabilidad del material: > 383 °F (195 °C). Se quemará si se lo expone a llamas.

Medio de extinción: dióxido de carbono, productos químicos secos o espuma.

Procedimientos especiales para la extinción de incendios: ninguno.

Riesgos de explosión: ninguno. El polvo de aluminio puede reaccionar con agua y generar gas hidrógeno inflamable. No se espera este tipo de reacción en el formato que presenta este producto.

## Sección 6. Medidas en caso de derrame accidental

Raspe y deseche los residuos sólidos de acuerdo con las leyes estatales y federales.

## Sección 7. Manipulación y almacenamiento

Almacénelo en un lugar seco. Mantenga el recipiente cerrado cuando no lo utilice.

## Sección 8. Controles de exposición y protección personal

Ventilación: no se requiere ventilación especial al trabajar con este producto.

Protección respiratoria: no se requiere.

Protección de los ojos: normalmente, no se requiere. Sin embargo, utilice gafas de seguridad o máscaras faciales contra productos químicos si hay posibilidades de contacto con los ojos, especialmente si se calienta el material.

Protección para las manos y la vestimenta: normalmente, no se requiere. Se recomienda el uso de vestimenta y guantes protectores, ya que resulta difícil quitar el material de la piel y de la vestimenta.

Otro equipo de protección: no se requiere.

## Sección 9. Propiedades físicas y químicas

Aspecto/olor: color aluminio, material semisólido, olor agradable.

Solubilidad en agua: insignificante.

Gravedad específica: 0,86.

## Sección 10. Estabilidad y reactividad

Estabilidad: estable.

Reactividad: no se producirá polimerización peligrosa.

Incompatibilidades: agentes oxidantes fuertes y halógenos.

Productos con descomposición peligrosa: dióxido de carbono, monóxido de carbono.

## Sección 11. Información toxicológica

No hay información disponible.

## Sección 12. Información ecológica

Información sobre el destino de las sustancias químicas: los componentes de hidrocarburo se biodegradarán en la tierra; relativamente persistentes en el agua.

## Sección 13. Consideraciones para la eliminación

Deseche los residuos sólidos de acuerdo con las leyes locales, estatales y federales.

## Sección 14. Información sobre el transporte

Clasificación DOT: no está clasificado como peligroso.

## Sección 15. Información regulatoria

Notificación del proveedor SARA Título III: incluir en la sección 311/312 los informes de inventario si las cantidades superan las 10.000 libras (4.536 kg). Los componentes de aluminio están sujetos a los requisitos del informe de la Sección 313 de la Ley de Planificación de Emergencias y Derecho a Saber de 1986 (40 CFR 372). Ingredientes mencionados en el Inventario de la TSCA.

## Sección 16. Otros datos

Esta información se suministra sin garantía, expresa o implícita, excepto que es precisa según nuestro saber y entender.

### Automatización y control desenlace

Honeywell International Inc.  
1985 Douglas Drive North  
Golden Valley, MN 55422

Honeywell Limited-Honeywell Limitée  
35, Dynamic Drive  
Toronto, Ontario M1V 4Z9  
customer.honeywell.com