

SANITIZING SINK HEATER

JSK Providing a consistent and continuous supply of sanitizing rinse water for manual warewashing applications



Applications:

- 3 or 4 Compartment Sinks
- Pot and Pan Sinks
- Bar Sinks

Hubbell JSK Water Heater

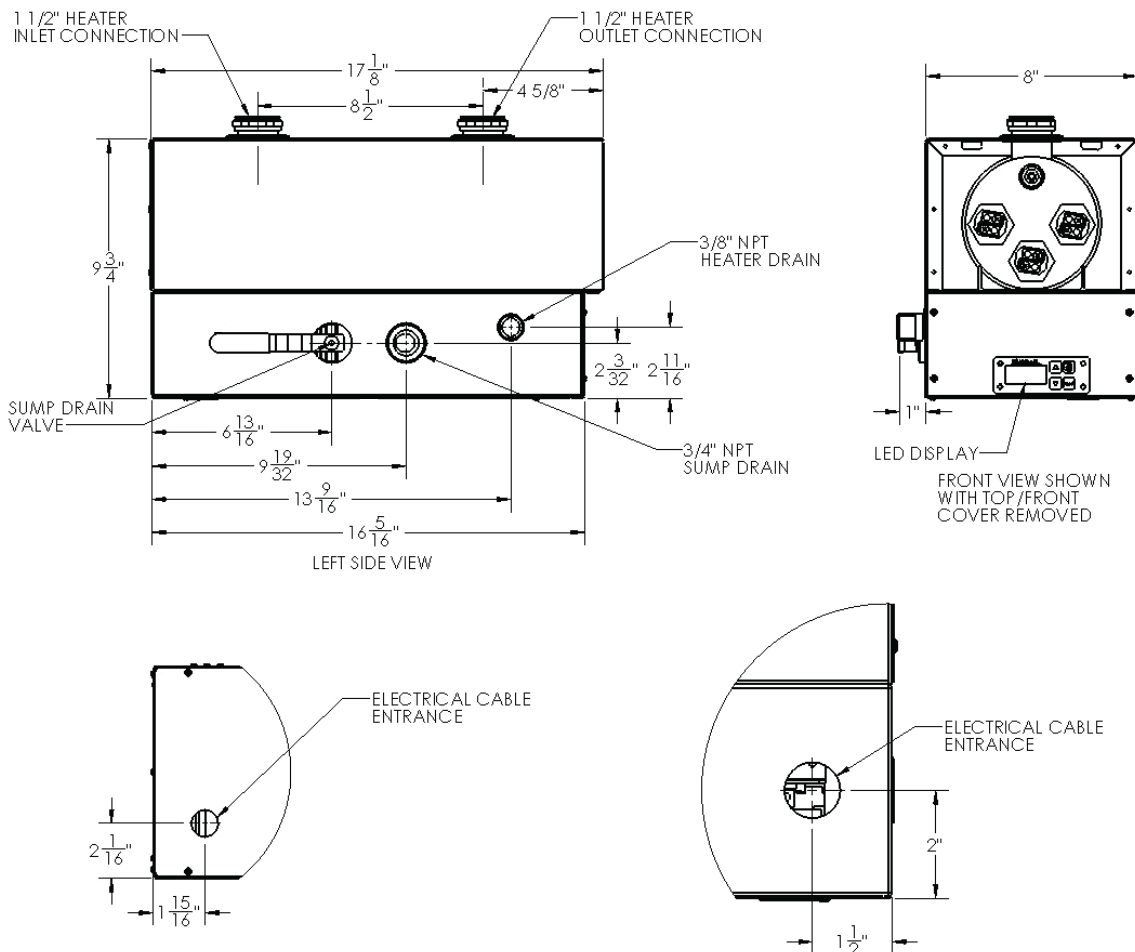
The Hubbell JSK Sanitizing Sink Heater is designed for 3 or 4 compartment sinks, pot and pan sinks and bar sinks providing a consistent and continuous supply of sanitizing rinse water for manual warewashing applications. The JSK fits under the center of the sink so it doesn't take up any sink space and is easy to service and maintain.

Model JSK Features and Benefits

- The all stainless steel body and base comes standard on all models
- Electronic controls provide precise and consistent water temperatures
- Digital display for visual confirmation of set point temperature and fault conditions
- Equipped with an energy cut-off (ECO) for built-in protection against higher than normal water temperature
- Low water cut off to prevent element burnout
- ETL (Sanitation NSF listed)
- Shipped ready to install with all gaskets and fittings
- Screw in type elements
- Separate sump and heating compartment drains allow for easy cleaning and sanitizing
- Standard 2" brass plated plumbing fittings for mounting under a sink
- Multiple voltage options available



JSK Dimensions



Hubbell JSK Water Heater

JSK Selection Chart with Amperage

Sink Area	kW	Model	Voltage* 50/60 Hz	Phase	Amps	Min. Breaker Size	Wiring Sizing AWG		
15" (381 mm) Sq. or Less	3	JSK-3RS	208	1	14.4	20	12		
		JSK-3S	220 - 230 - 240		11.5 - 12.0 - 12.5				
		JSK-3T4S	480		6.3				
		JSK-3R	208	3	8.3			15	14
		JSK-3T	240		7.2				
		JSK-3T4	480		3.6				
		JSK-3T6	600		3.0				
16" - 18" (406 - 457 mm) Sq.	4.5	JSK-4RS	208	1	21.7	30	8		
		JSK-4S	220 - 230 - 240		17.2 - 18.0 - 18.8	25	10		
		JSK-4T4S	480		9.4	15	14		
		JSK-4R	208	3	12.5	20	12		
		JSK-4T	240		10.8				
		JSK-4T4	480		5.4				
		JSK-4T6	600		4.5				
19" - 21" (483 - 533 mm) Sq.	6	JSK-6RS	208	1	28.9	40	8		
		JSK-6S	220 - 230 - 240		22.9 - 24.0 - 25.0			30 - 30 - 35	
		JSK-6T4S	480		12.5			20	12
		JSK-6R	208	3	16.7	25	10		
		JSK-6T	240		14.4				
		JSK-6T4	480		7.2			15	12
		JSK-6T6	600		6.0				
21" - 25" (533 - 635 mm) Sq.	9	JSK-9RS	208	1	43.3	60	4		
		JSK-9S	220 - 230 - 240		34.4 - 35.9 - 37.5			45 - 45 - 50	6 - 6 - 4
		JSK-9T4S	480		18.8			25	10
		JSK-9R	208	3	25.0	40	10		
		JSK-9T	240		21.7				
		JSK-9T4	480		10.8			15	14
		JSK-9T6	600		9.0				

*Models are also available in 277, 380, 400, 415 and 440 volt. Please consult factory for exact model selection in these voltages.

Model JSK Number Configurator

JSK -

Step 1

kW

- 3
- 4
- 6
- 9

Step 2

Voltage-Phase:

- | | |
|---------------|--------------|
| 1Φ Voltages | 3Φ Voltages |
| RS = 208 - 1 | R = 208 - 3 |
| S = 240 - 1 | T = 240 - 3 |
| W = 277 - 1 | T3 = 380 - 3 |
| T4S = 480 - 1 | T7 = 415 - 3 |
| | T4 = 480 - 3 |
| | T6 = 600 - 3 |

Example:

JSK - 3R
3 kW, 208 Volt, 3 Phase

Options:

Security Package (Includes Torx® screws and digital display cover)

Warranty:

All Hubbell Model JSK Booster Heaters are backed by a full 1 year parts/labor warranty and additional 4 year tank warranty.

Note: The Hubbell JSK is suitable for cold or pre-heated water use.



Hubbell provides a complete line of commercial foodservice water heaters to meet your specific application needs.



AutoQuotes

Quick, Easy and Accurate

With only a few clicks you will be able to send quotes/specifications directly to dealers and consultants quickly and efficiently.



www.hubbellheaters.com
Hubbell Heaters | 45 Seymour Street | P.O. Box 288 | Stratford, CT 06615
P: 203.378.2659 | F: 203.378.3593

