

alpine



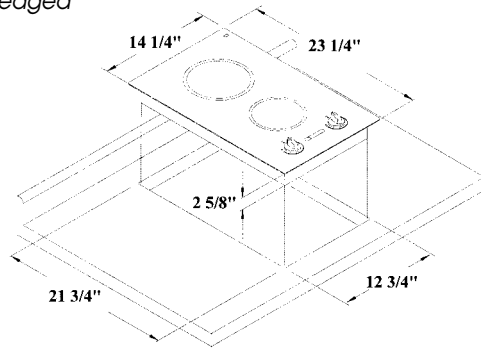
The majestic Alpine Series of true white ceramic glass cook tops — with its opaque silhouette gives a beautiful and distinctive look to any kitchen.



KENYON[®]
Custom

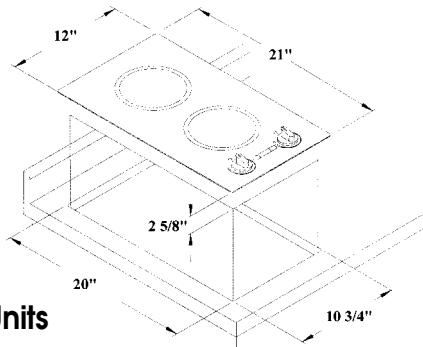
alpine

Smooth surface, round edged
ceramic glass



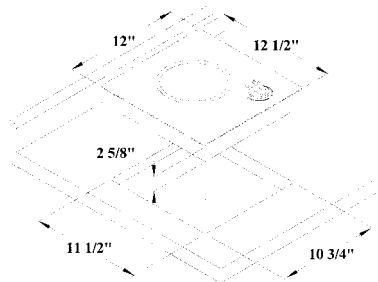
Two Burner Units

- Model B49510 120 volt – 22 amp.
1 – 6½" (165mm) @1200 watts
1 – 8" (200mm) @1400 watts
- Model B49511 240 volt – 12.5 amp.
1 – 6½" (165mm) @1200 watts
1 – 8" (200mm) @1800 watts



Two Burner Trimline Units

- Model B49515 120 volt – 20 amp.
2 – 6½" (165mm) @1200 watts each
- Model B49516 240 volt – 10amp.
2 – 6½" (165mm) @1200 watts each



Single Burner Units

- Model B49517 120 volt – 10 amp.
6½" (165mm) @1200 watts
- Model B49518 240 volt – 5 amp.
6½" (165mm) @1200 watts

**Raise your
culinary experience
to new heights with Kenyon
Alpine series ceramic glass
cook tops...**

The cool white ceramic of the Alpine series gives a stylish custom quality look to any kitchen. Opaque, durable, and easy to clean, with distinctive Alpine graphics and safety features uniquely Kenyon. Both one and two burner models available in 120 or 240 volts, with push-to-turn controls, infinite heat control and quick-to-heat radiant ribbon elements. Safety features include heat limiting cooking surface protectors, an *On* indicator light for each burner, and a *Hot* burner indicator light. And as all Kenyon Custom products, backed by uncompromising quality and an exclusive 3-year replacement warranty.



**Winner of the esteemed
Design Journal Gold Award
for Design Excellence.**

KENYON[®]
Custom

Kenyon International
P.O. Box 925, Clinton, CT 06413
Tel: 860.664.4906
Fax: 860.664.4907
kenyonappliances.com



KENYON Custom logo, Lite-Touch, KISS, Electric KISS, Express and all related materials are trademarks of Kenyon International, Inc. ©2005 Kenyon International, Inc. All Rights Reserved. Specifications subject to change without notice. UL is a registered trademark of Underwriters Laboratory Inc. Printed in U.S.A. 9-2005