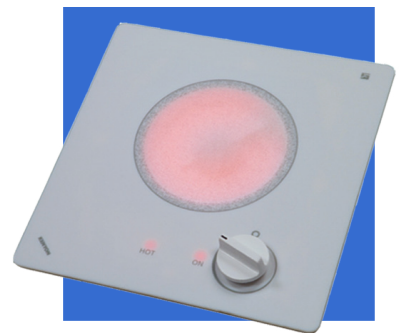


alpine



The majestic Alpine Series of true white ceramic glass cooktops with its opaque silhouette gives a beautiful and distinctive look to any kitchen.



KENYON[®]
Custom



Kenyon International, Inc. building quality specialty cooking appliances since 1931.

alpine

Smooth surface, round edged
ceramic glass

Two Burner Units

Model B49510

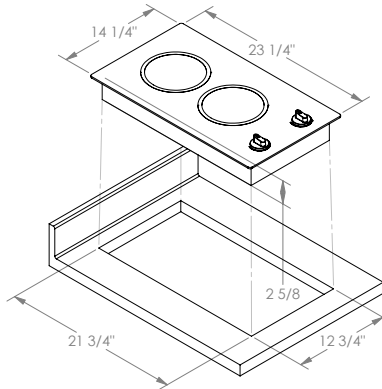
120 volt- 22 amp.
1- 6 1/2" (165mm) @ 1200 watts
1- 8" (200mm) @ 1400 watts

Model B49591

208 volt- 15 amp.
1- 6 1/2" (165mm) @ 1200 watts
1- 8" (200mm) @ 1800 watts

Model B49511

240 volt- 13 amp
1- 6 1/2" (165mm) @ 1200 watts
1- 8" (200mm) @ 1800 watts



Overall Dimensions: 23 1/4" x 14 1/4" x 2 5/8"
590.6mm x 362mm x 66.7mm
Cutout Dimensions: 21 3/4" x 12 3/4" with 1/4" radius
552.5mm x 323.9mm with 6.4 radius

Two Burner Trimline Units

Model B49515

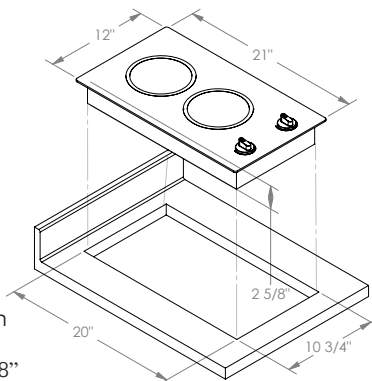
120 volt - 20 amp.
2- 6 1/2" (165mm) @ 1200 watts each

Model B49596

208 volt- 12 amp.
2- 6 1/2" (165mm) @ 1200 watts each

Model B49516

240 volt- 10 amp.
2- 6 1/2" (165mm) @ 1200 watts each



Overall Dimensions: 21" x 12" x 2 5/8"
533.4mm x 304.8mm x 66.7mm
Cutout Dimensions: 20" x 10 3/4" with 1/4" radius
508mm x 273mm with 6.4 radius

Single Burner Units

Model B49517

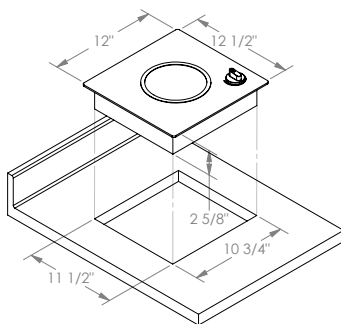
120 volt - 10 amp.
6 1/2" (165mm) @ 1200 watts

Model B49598

208 volt- 6 amp.
6 1/2" (165mm) @ 1200 watts

Model B49518

240 volt - 5 amp.
6 1/2" (165mm) @ 1200 watts



Overall Dimensions: 12 1/2" x 12" x 2 5/8"
317.5mm x 304.8mm x 66.7mm
Cutout Dimensions: 11 1/2" x 10 3/4" with 1/4" radius
292.1mm x 273mm with 6.4 radius

Raise your
culinary experience
to new heights with Kenyon
Alpine series ceramic glass
cooktops...

The cool white ceramic of the Alpine series gives a stylish custom quality look to any kitchen. Opaque, durable, and easy to clean, with distinctive Alpine graphics and safety features uniquely Kenyon. Both one and two burner models available in 120, 208, or 240 volts, with push-to-turn controls, infinite heat control and quick-to-heat radiant ribbon elements. Safety features include heat limiting cooking surface protectors, an *On* indicator light for each burner, and a *Hot* burner indicator light. And as all Kenyon Custom products, backed by uncompromising quality, exclusive 3-year product replacement warranty and the best customer service in the industry.



Winner of the esteemed
Design Journal Gold Award
for Design Excellence.

KENYON[®]
Custom

Kenyon International, Inc.
P.O. Box 925, Clinton, CT 06413
Tel: 860.664.4906
Fax: 860.664.4907
www.KenyonAppliances.com



KENYON Custom Logo, Lite-Touch, KISS, Electris KISS, Express and all related materials are trademarks of Kenyon International, Inc. ©2010 Kenyon International, Inc. All Rights Reserved. Specifications subject to change without notice. UL is a registered trademark of Underwriters Laboratory Inc. Printed in U.S.A. 10-2010