

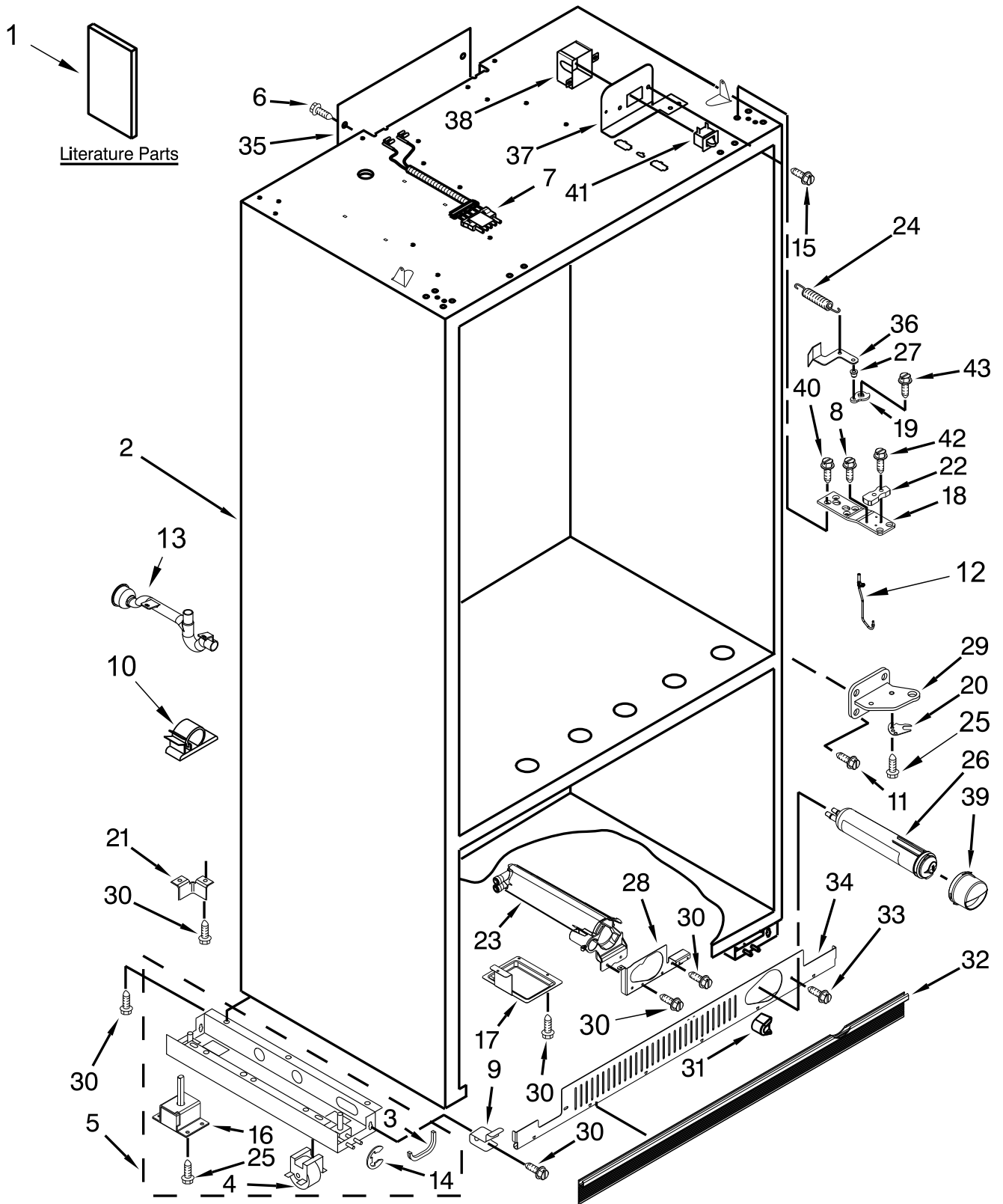
**KitchenAid®**

**36 INCH BOTTOM MOUNT BUILT IN REFRIGERATOR**

**MODELS:**

KBFN506ESS00 (Stainless Steel)

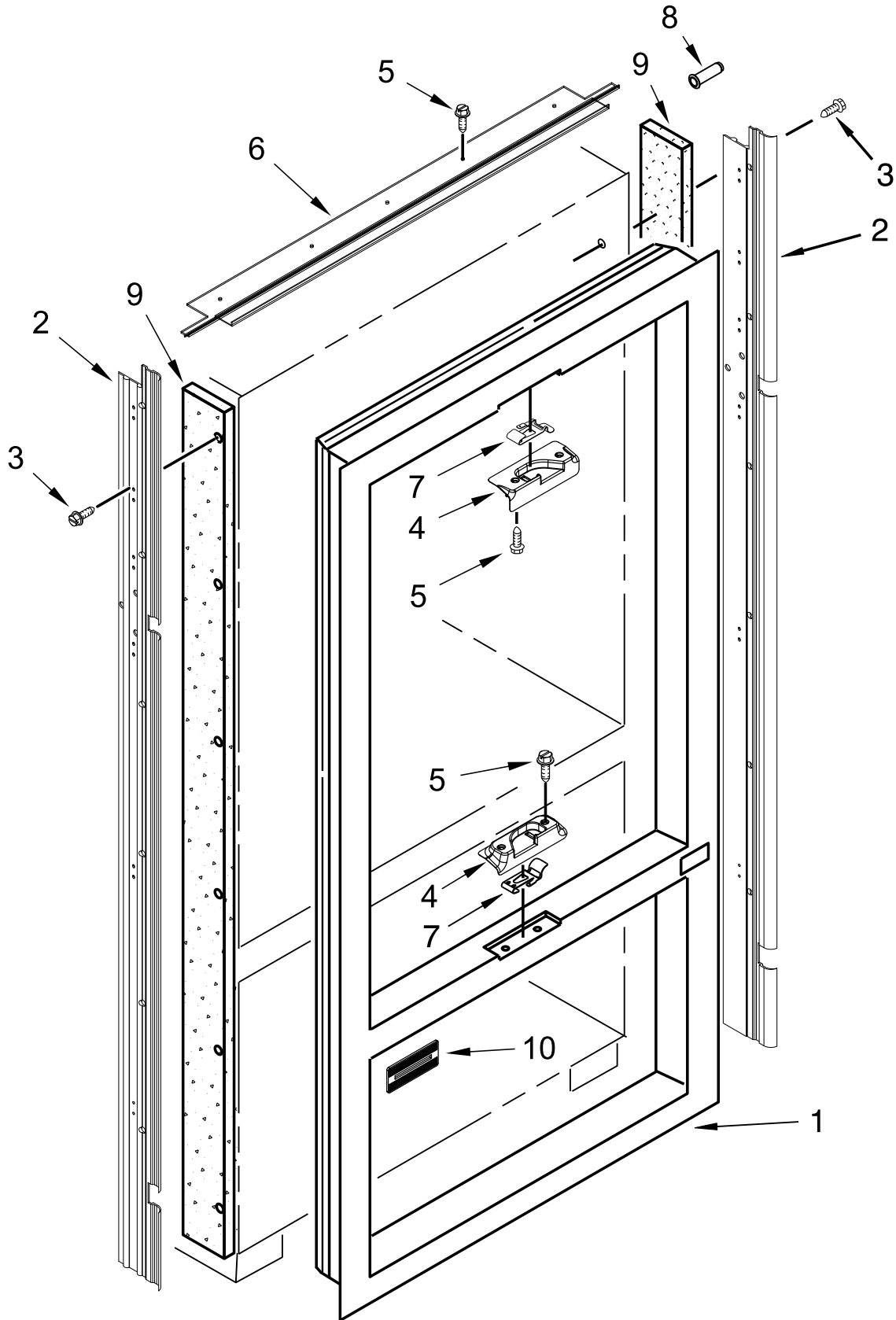
# CABINET PARTS



# CABINET PARTS

| <u>Illus. No.</u> | <u>Part No.</u> | <u>Description</u>               | <u>Illus. No.</u> | <u>Part No.</u> | <u>Description</u>           | <u>Illus. No.</u> | <u>Part No.</u> | <u>Description</u>       |
|-------------------|-----------------|----------------------------------|-------------------|-----------------|------------------------------|-------------------|-----------------|--------------------------|
| 1                 |                 | Literature Parts                 | 12                | W10577944       | Water Line                   | 31                |                 | Button, Water Filter     |
|                   | W10721179       | Use and Care Guide               | 13                | W10702350       | Tube, Drain                  |                   | 2260503B        | Black                    |
|                   | W10712798       | Energy Guide                     | 14                | 2006841         | Ring, Retainer               | 32                |                 | Skirt, Grille            |
|                   | W10685561       | Wiring Diagram                   | 15                | 487415          | Screw                        |                   | W10188547       | Black                    |
|                   | W10721177       | Installation Instructions        | 16                | 2005032         | Leveler, Adjustable          | 33                | W10005050       | Screw                    |
|                   | W10600683       | Tech Sheet (English)             | 17                | 2318189         | Tray, Filter Drip            | 34                | W10189196       | Grille, Bottom           |
|                   | W10717764       | Tech Sheet (French)              | 18                | 2316759         | Hinge, Door (Top)            | 35                | W10426957       | Assembly, Air Duct Cover |
| 2                 |                 | Cabinet (Not Serviced)           | 19                | 2320509         | Stop, Door                   | 36                |                 | Arm, Extension           |
| 3                 | 2307584         | Grommet, Crossover Tube          | 20                | 2004994         | Lock, Bushing                |                   | W10709785       | Left Hand                |
| 4                 | W10138054       | Assembly, Roller                 | 21                | 2006617         | Bracket, Base Support (Rear) |                   | W10728112       | Right Hand               |
| 5                 |                 | Assembly, Support Base           | 22                | 2316758         | Stop, Door                   | 37                |                 | Bracket, Switch          |
|                   | W10279275       | Left Hand                        | 23                | W10121140       | Housing, Water Filter        |                   | W10741112       | Left Hand                |
|                   | W10138423       | Right Hand                       | 24                | 2221242         | Spring, Door Closure (Green) |                   | W10741111       | Right Hand               |
| 6                 | 1163283         | Screw                            | 25                | 486194          | Screw                        | 38                | 2215938         | Cover, Switch            |
| 7                 | W10745694       | Assembly, Top Switch Jumper Wire | 26                | W10121146       | Filter, Water                | 39                |                 | Cap, Water Filter        |
| 8                 | 8281164         | Screw (Stainless)                | 27                | 2316859         | Bushing, Extension Arm       |                   | W10797527       | Black                    |
| 9                 | 2307640         | Bracket, Grill Mounting          | 28                | W10674648       | Bracket, Filter              | 40                | 8533913         | Screw                    |
| 10                | W10663352       | Clip                             | 29                | W10337505       | Hinge, Door (Center)         | 41                | 1118894         | Switch, Rocker Arm       |
| 11                | W10162602       | Screw                            | 30                | 8533928         | Screw                        | 42                | W10005070       | Screw                    |
|                   |                 |                                  |                   |                 |                              | 43                | 8533980         | Screw                    |

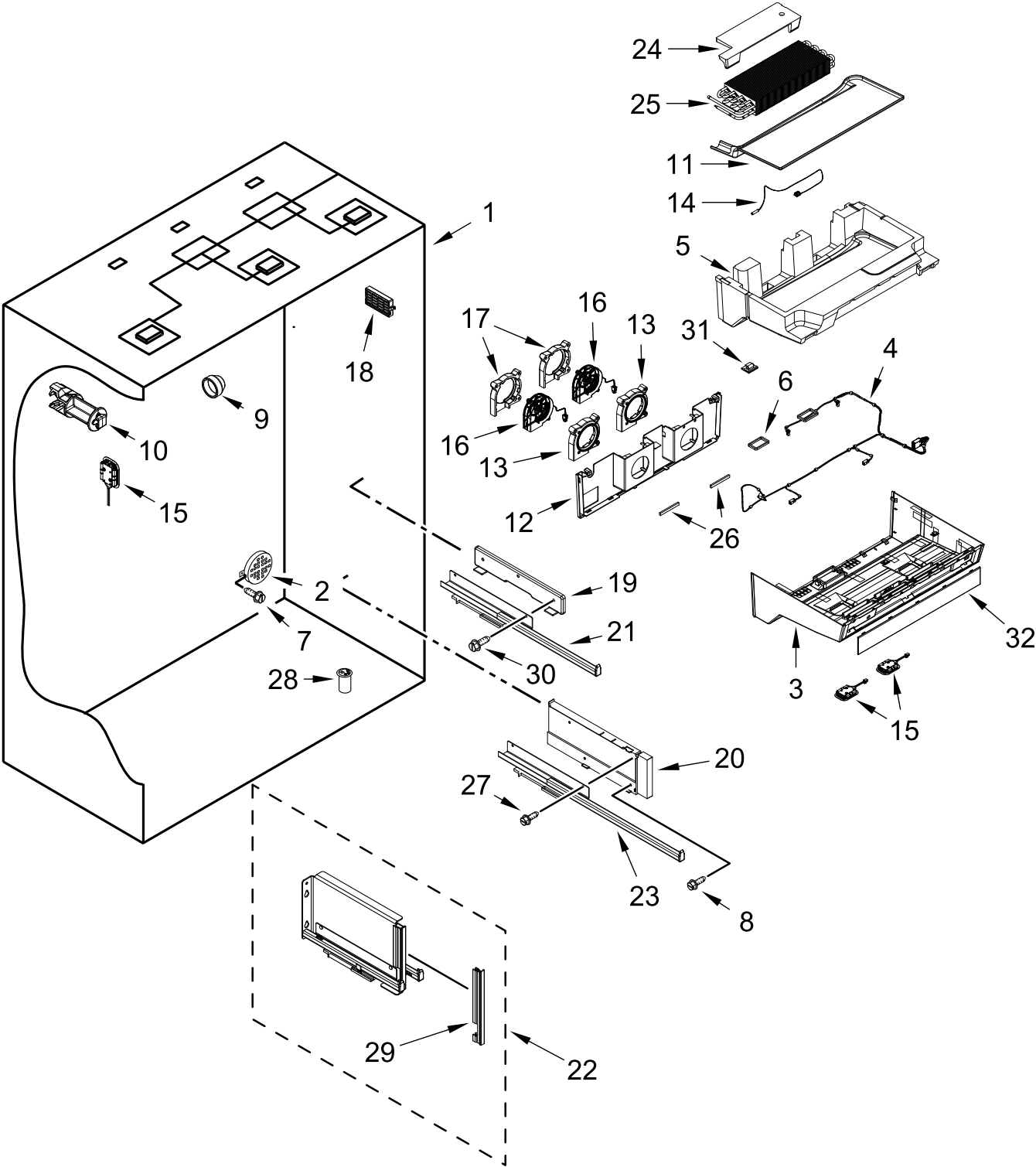
# CABINET TRIM PARTS



# CABINET TRIM PARTS

| <u>Illus.</u><br><u>No.</u> | <u>Part No.</u> | <u>Description</u>           | <u>Illus.</u><br><u>No.</u> | <u>Part No.</u> | <u>Description</u>  | <u>Illus.</u><br><u>No.</u> | <u>Part No.</u> | <u>Description</u>     |
|-----------------------------|-----------------|------------------------------|-----------------------------|-----------------|---------------------|-----------------------------|-----------------|------------------------|
| 1                           |                 | Breaker, Trim (Not Serviced) | 4                           |                 | Plate, Pivot        | 7                           |                 | Contact, Mullion       |
| 2                           |                 | Assembly, Trim               |                             | W10672300       | Top                 |                             | 2309230         | Top                    |
|                             |                 | Left Hand                    |                             | W10672302       | Bottom              |                             | 2309231         | Bottom                 |
|                             | W10568007       | Aluminum                     | 5                           | 486194          | Screw               | 8                           | W10121451       | Insert, Blind Threaded |
|                             |                 | Right Hand                   | 6                           |                 | Trim, Cabinet (Top) | 9                           | 2005925         | Seal, Side Trim        |
|                             | W10568005       | Aluminum                     |                             | 2314016         | Aluminum            | 10                          | W10708610       | Cover, Hinge           |
| 3                           | W10141645       | Screw                        |                             |                 |                     |                             |                 |                        |

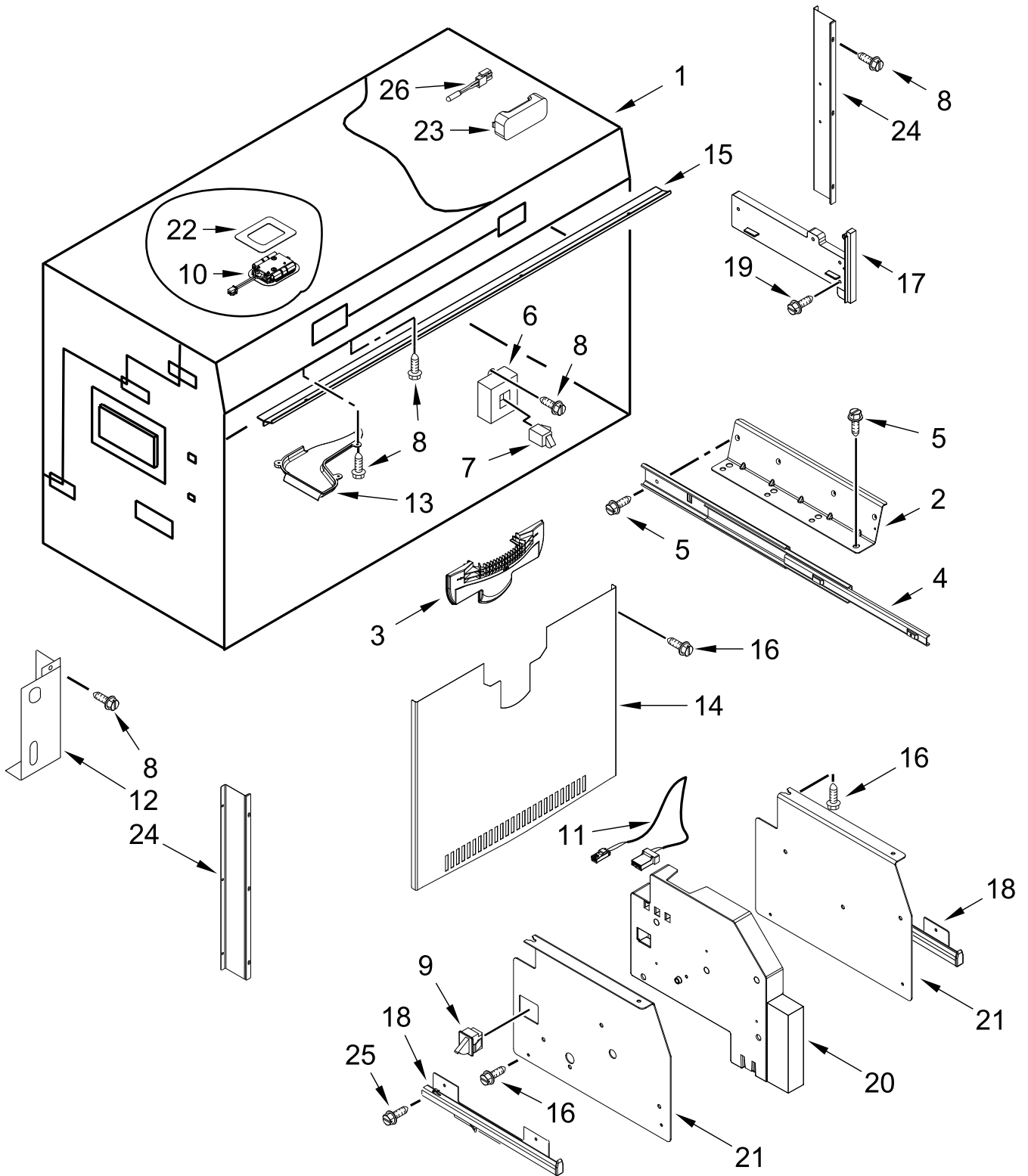
# REFRIGERATOR LINER PARTS



# REFRIGERATOR LINER PARTS

| <u>Illus.</u><br><u>No.</u> | <u>Part No.</u> | <u>Description</u>   | <u>Illus.</u><br><u>No.</u> | <u>Part No.</u> | <u>Description</u>       | <u>Illus.</u><br><u>No.</u> | <u>Part No.</u> | <u>Description</u>                |
|-----------------------------|-----------------|--|-----------------------------|-----------------|--------------------------|-----------------------------|-----------------|-----------------------------------|
| 1                           |                 | Liner, Refrigerator (Not Servicable)                       | 12                          | W10555484       | Cover, Evaporator (Rear) | 22                          | W10582976       | Assembly, Center Support          |
| 2                           | W10600588       | Cover, Air Return  | 13                          | W10538315       | Housing, Fan (Front)     | 23                          |                 | Slide, Deli Pan                   |
| 3                           | W10555476       | Cover, Evaporator  | 14                          | W10667607       | Thermistor               |                             | W10569890       | Left Hand                         |
| 4                           | W10565852       | Assembly, Evaporator Wire (Includes Evaporator Thermistor) | 15                          | W10607479       | Assembly, LED Module     |                             | W10615641       | Right Hand                        |
| 5                           | W10555478       | Insulation, Evaporator (Lower)                             | 16                          | W10704104       | Fan, Icebox              | 24                          | W10555472       | Insulation, Evaporator (Upper)    |
| 6                           | W10638137       | Gasket, Evaporator Outlet                                  | 17                          | W10538317       | Housing, Fan (Rear)      | 25                          | W10552972       | Assembly, Evaporator              |
| 7                           | 487539          | Screw (Stainless)  | 18                          | W10315189       | Filter, Air              | 26                          | W10740077       | Gasket, Evaporator Housing (Rear) |
| 8                           | W10215666       | Screw  | 19                          | W10569850       | Spacer, Crisper          | 27                          | 8533929         | Screw (Stainless)                 |
| 9                           | W10699426       | Support, Evaporator Assembly                               | 20                          |                 | Spacer, Deli             | 28                          | W10608798       | Body, Valve Tube                  |
| 10                          | W10555493       | Clip, Evaporator Mounting                                  |                             | W10569847       | Left Hand                | 29                          | W10703833       | Bracket, Crisper                  |
| 11                          | W10555480       | Shield, Evaporator Heat                                    |                             | W10569844       | Right Hand               | 30                          | 8533928         | Screw                             |
|                             |                 |  | 21                          |                 | Slide, Crisper Pan       | 31                          | W10741189       | Clip, Wiring                      |
|                             |                 |  |                             | W10569887       | Left Hand                | 32                          | W10776331       | Assembly, User Interface          |
|                             |                 |  |                             | W10569886       | Right Hand               |                             |                 |                                   |

# FREEZER LINER PARTS

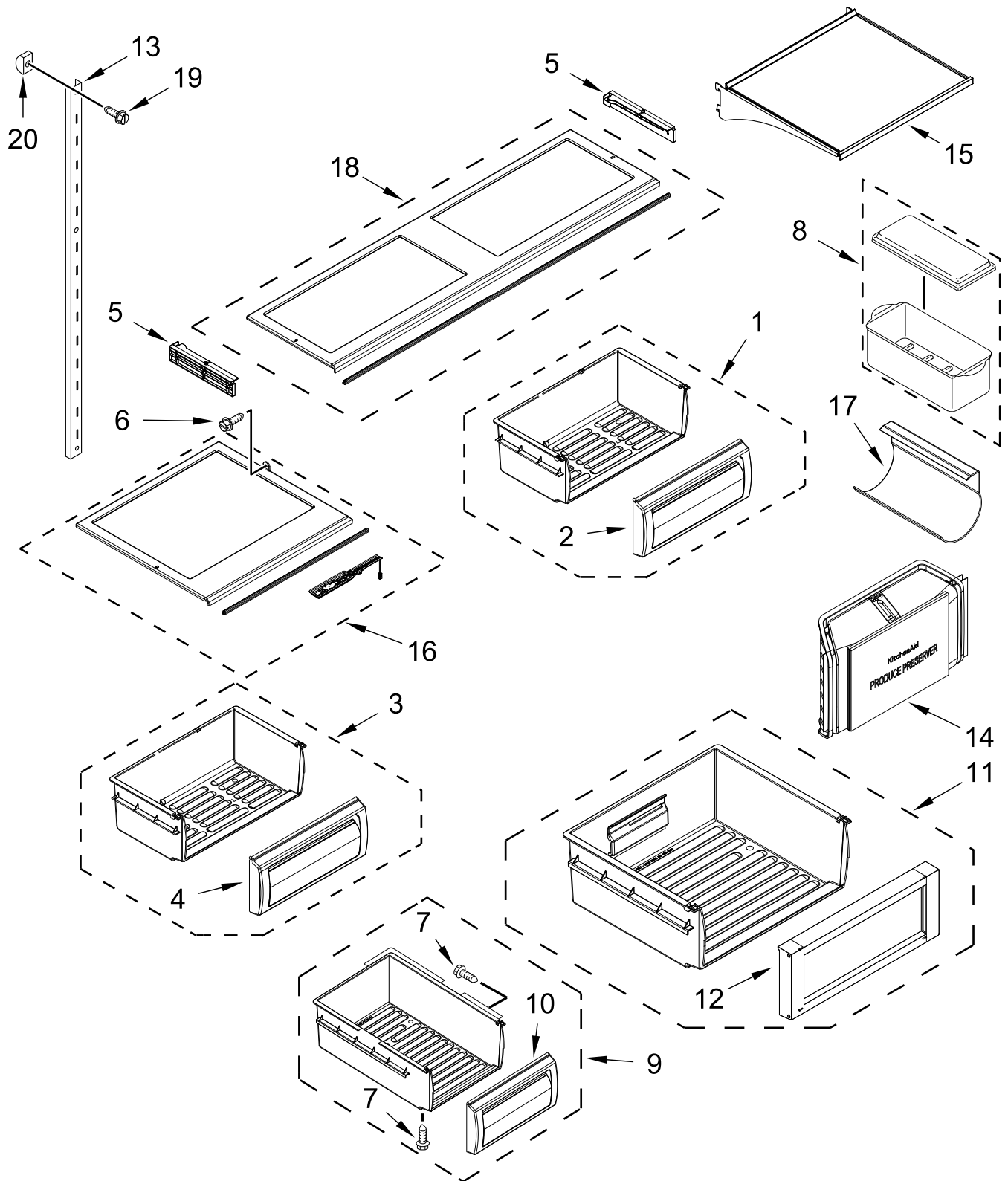




# FREEZER LINER PARTS

| <u>Illus.</u><br><u>No.</u> | <u>Part No.</u> | <u>Description</u>               | <u>Illus.</u><br><u>No.</u> | <u>Part No.</u> | <u>Description</u>       | <u>Illus.</u><br><u>No.</u> | <u>Part No.</u> | <u>Description</u>   |
|-----------------------------|-----------------|----------------------------------|-----------------------------|-----------------|--------------------------|-----------------------------|-----------------|----------------------|
| 1                           |                 | Liner, Freezer (Not Servicable)  | 12                          | 2306187         | Cover, Wiring (Icemaker) | 19                          | 488163          | Screw                |
| 2                           |                 | Support, Drawer Slide            | 13                          | W10552980       | Duct, Air Flow           | 20                          |                 | Divider, Freezer     |
|                             | W10744328       | Grey                             | 14                          |                 | Cover, Evaporator        |                             | W10600628       | Grey                 |
| 3                           |                 | Grille, Freezer Air              |                             | W10538783       | Grey                     | 21                          |                 | Support, Slide       |
|                             | W10541687       | Grey                             | 15                          | W10710400       | Assembly, Air Deflector  |                             | W10600630       | Left Hand            |
| 4                           | W10423551       | Slide, Freezer Basket            | 16                          | W10001160       | Screw (Stainless)        |                             | W10600626       | Right Hand           |
| 5                           | W10061370       | Screw                            | 17                          |                 | Spacer, Drawer           | 22                          | W10672548       | Shim, LED            |
| 6                           |                 | Cover, Light Switch              |                             |                 | Left Hand                | 23                          | W10609678       | Cover, Thermistor    |
|                             | W10606833       | Grey                             |                             | W10664384       | Grey                     | 24                          | W10538780       | Assembly, Evaporator |
| 7                           | W10565415       | Switch, Light                    |                             |                 | Right Hand               |                             |                 | Cover Rail           |
| 8                           | 486194          | Screw                            |                             | W10664382       | Grey                     | 25                          | 488163          | Screw                |
| 9                           | W10565413       | Switch, Light                    | 18                          |                 | Slide, Freezer Bin       | 26                          | W10280386       | Thermistor           |
| 10                          | W10607479       | Assembly, LED Module             |                             | 2306117         | Left Hand                |                             |                 |                      |
| 11                          | W10568445       | Assembly, Ice Bucket Switch Wire |                             | 2306116         | Right Hand               |                             |                 |                      |

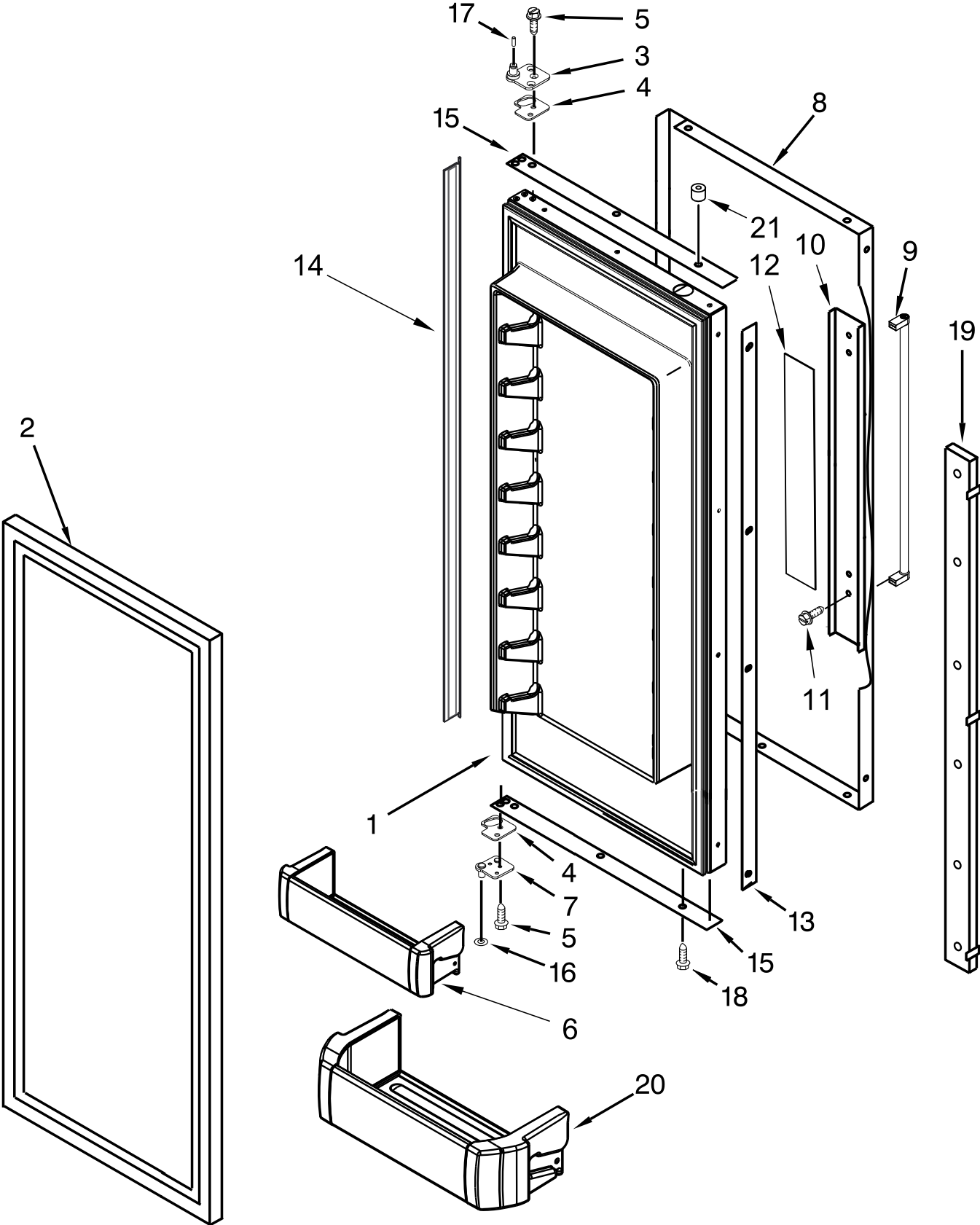
# SHELF PARTS



# SHELF PARTS

| <u>Illus.</u><br><u>No.</u> | <u>Part No.</u> | <u>Description</u>             | <u>Illus.</u><br><u>No.</u> | <u>Part No.</u> | <u>Description</u>             | <u>Illus.</u><br><u>No.</u> | <u>Part No.</u> | <u>Description</u> |
|-----------------------------|-----------------|--------------------------------|-----------------------------|-----------------|--------------------------------|-----------------------------|-----------------|--------------------|
| 1                           | W10529577       | Assembly, Crisper Pan          | 8                           | 2221071         | Assembly, Egg Bin              | 15                          | W10568582       | Assembly, Shelf    |
| 2                           | W10529562       | Assembly, Crisper Pan<br>Front | 9                           | W10600690       | Assembly, Ice Pan              | 16                          | W10578291       | Cover, Deli Bin    |
| 3                           | W10529581       | Assembly, Deli Pan             | 10                          | W10600687       | Assembly, Ice Pan Front        | 17                          | W10701859       | Rack, Wine         |
| 4                           | W10529566       | Assembly, Deli Pan<br>Front    | 11                          | W10609697       | Assembly, Freezer Pan          | 18                          | W10578296       | Cover, Crisper     |
| 5                           |                 | Support, Crisper Cover         | 12                          | W10609699       | Assembly, Freezer Pan<br>Front | 19                          | W10808291       | Screw              |
|                             |                 | Left Hand                      | 13                          |                 | Ladder, Shelf                  | 20                          | 520965          | Support, Ladder    |
|                             | W10569854       | Grey                           |                             |                 | Side                           |                             |                 |                    |
|                             |                 | Right Hand                     |                             | W10569878       | Grey                           |                             |                 |                    |
|                             | W10569853       | Grey                           |                             |                 | Center                         |                             |                 |                    |
| 6                           | 488568          | Screw (Stainless)              |                             | W10633564       | Grey                           |                             |                 |                    |
| 7                           | 488886          | Screw                          | 14                          | W10593207       | Assembly, Produce<br>Preserver |                             |                 |                    |

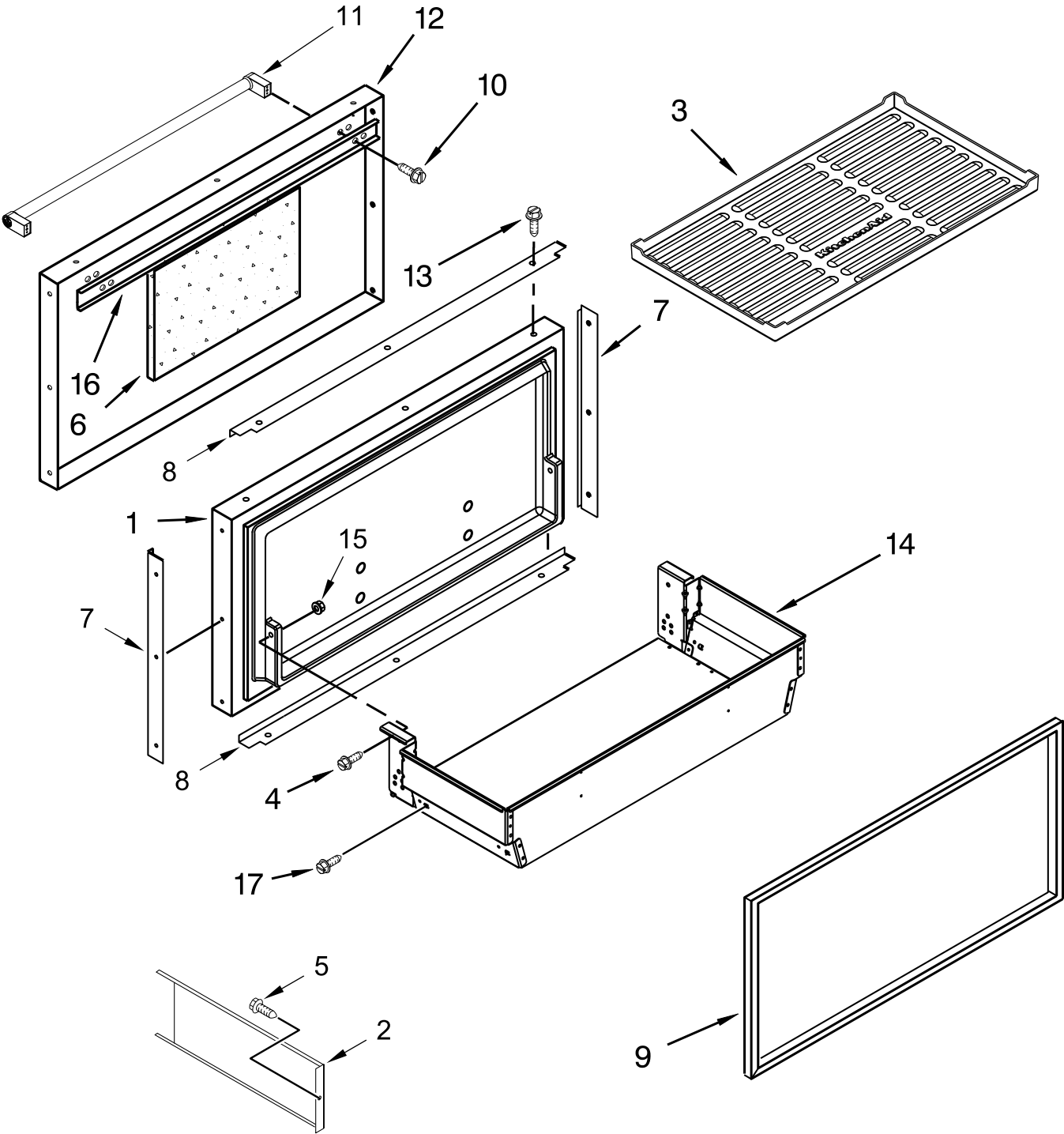
# REFRIGERATOR DOOR PARTS



# REFRIGERATOR DOOR PARTS

| <u>Illus.</u><br><u>No.</u> | <u>Part No.</u> | <u>Description</u>           | <u>Illus.</u><br><u>No.</u> | <u>Part No.</u> | <u>Description</u>                 | <u>Illus.</u><br><u>No.</u> | <u>Part No.</u> | <u>Description</u>      |
|-----------------------------|-----------------|------------------------------|-----------------------------|-----------------|------------------------------------|-----------------------------|-----------------|-------------------------|
| 1                           |                 | Door, Refrigerator           | 8                           |                 | Skin, Door                         | 17                          | 2316760         | Bushing, Door Stop      |
|                             | W10651466       | Left Hand                    |                             | W10541584       | Stainless                          | 18                          | 8281250         | Screw (Stainless)       |
|                             | W10651470       | Right Hand                   | 9                           |                 | Handle, Door                       | 19                          | W10732105       | Assembly, Mullion       |
| 2                           |                 | Gasket, Door                 |                             | W10541592       | Stainless                          | 20                          | W10578289       | Bin, Gallon Door        |
|                             | W10629728       | Grey                         | 10                          | W10127710       | Plate, Handle Door                 | 21                          | 2005433         | Spacer, Door Skin (Top) |
| 3                           | 2320642         | Assembly, Top Hinge          | 11                          | 308544          | Screw                              |                             |                 |                         |
| 4                           | 2316804         | Spacer, Door Hinge<br>Bottom | 12                          | W10512652       | Filler, Foam Board                 |                             |                 |                         |
| 5                           | W10162602       | Screw                        | 13                          | W10600734       | Spacer, Door Edge<br>(Hinge Side)  |                             |                 |                         |
| 6                           | W10529449       | Bin, Door                    | 14                          | W10600736       | Spacer, Door Edge<br>(Handle Side) |                             |                 |                         |
| 7                           |                 | Assembly, Bottom Hinge       | 15                          | W10535347       | Spacer Door (Top and<br>Bottom)    |                             |                 |                         |
|                             | W10273369       | Left Hand                    | 16                          | 2006346         | Washer, Extension Arm              |                             |                 |                         |
|                             | W10273367       | Right Hand                   |                             |                 |                                    |                             |                 |                         |

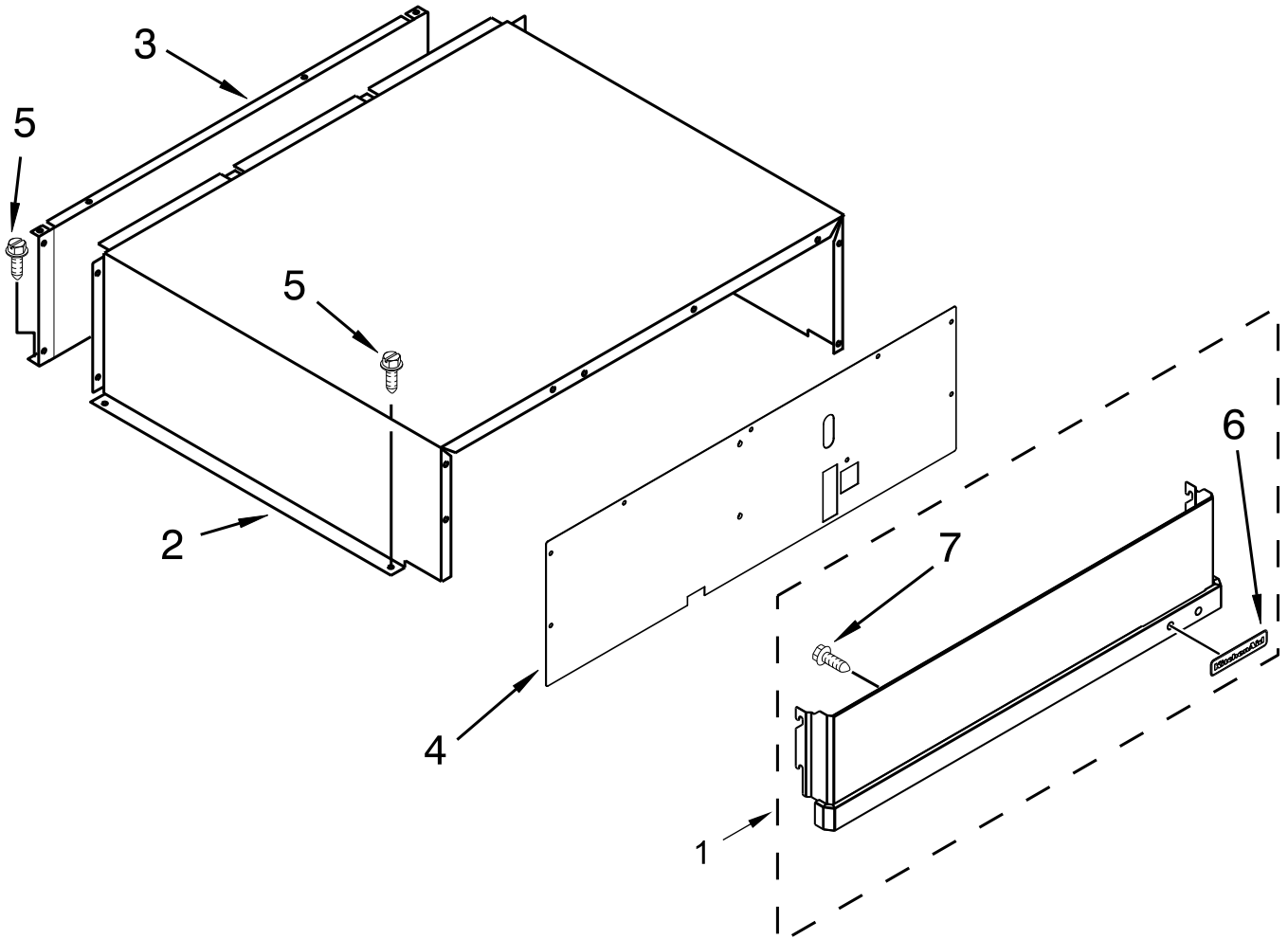
# FREEZER DOOR AND BASKET PARTS



# FREEZER DOOR AND BASKET PARTS

| <u>Illus.</u><br><u>No.</u> | <u>Part No.</u> | <u>Description</u>       | <u>Illus.</u><br><u>No.</u> | <u>Part No.</u> | <u>Description</u>                 | <u>Illus.</u><br><u>No.</u> | <u>Part No.</u> | <u>Description</u>       |
|-----------------------------|-----------------|--------------------------|-----------------------------|-----------------|------------------------------------|-----------------------------|-----------------|--------------------------|
| 1                           |                 | Door, Refrigerator       | 8                           | W10609689       | Spacer, Door Edge (Top and Bottom) | 13                          | 8281250         | Screw (Stainless)        |
|                             | W10562030       | Stainless                | 9                           |                 | Gasket, Door                       | 14                          | W10774208       | Assembly, Freezer Basket |
| 2                           | W10600711       | Divider, Basket          |                             | W10609687       | Grey                               | 15                          | W10771111       | Nut                      |
| 3                           | W10665412       | Mat, Basket              | 10                          | 308544          | Screw                              | 16                          | W10127710       | Plate, Handle Door       |
| 4                           | W10761334       | Screw                    | 11                          |                 | Handle, Door                       | 17                          | W10109030       | Screw                    |
| 5                           | W10135792       | Screw                    |                             | W10541591       | Stainless                          |                             |                 |                          |
| 6                           | 2327468         | Filler, Foam             | 12                          |                 | Skin, Door                         |                             |                 |                          |
| 7                           | W10609690       | Spacer, Door Edge (Side) |                             | W10541579       | Stainless                          |                             |                 |                          |

# TOP GRILLE AND UNIT COVER PARTS

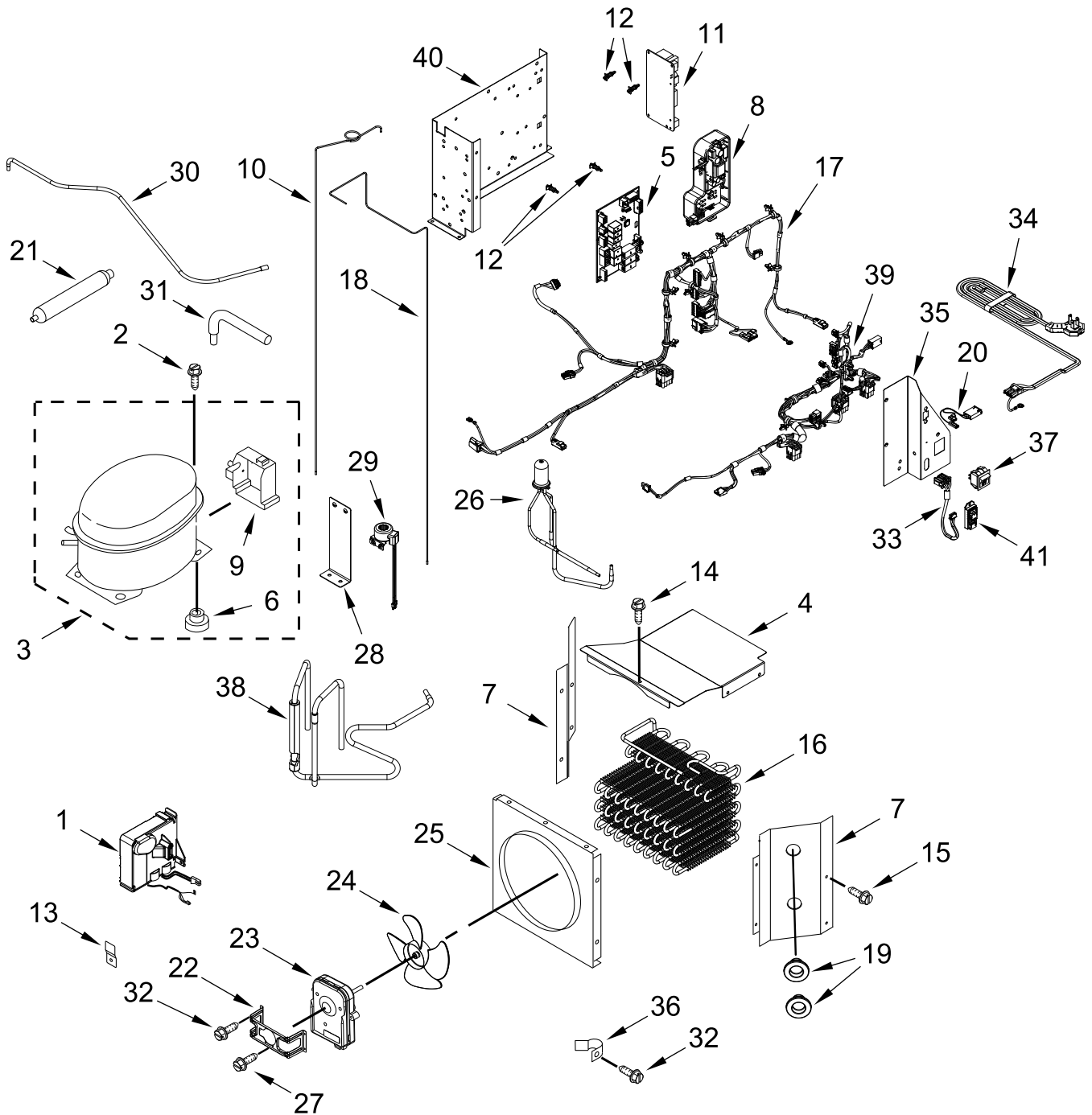




# TOP GRILLE AND UNIT COVER PARTS

| <u>Illus.</u><br><u>No.</u> | <u>Part No.</u> | <u>Description</u>   | <u>Illus.</u><br><u>No.</u> | <u>Part No.</u> | <u>Description</u> | <u>Illus.</u><br><u>No.</u> | <u>Part No.</u> | <u>Description</u> |
|-----------------------------|-----------------|----------------------|-----------------------------|-----------------|--------------------|-----------------------------|-----------------|--------------------|
| 1                           |                 | Assembly, Top Grille | 3                           | 2256466         | Panel, Unit Back   | 6                           |                 | Nameplate          |
|                             | W10645402       | Stainless            | 4                           | W10694113       | Cover, Unit Front  |                             | W10518672       | Grey               |
| 2                           | W10545068       | Cover, Unit          | 5                           | 1157158         | Screw              | 7                           | 489399          | Screw              |

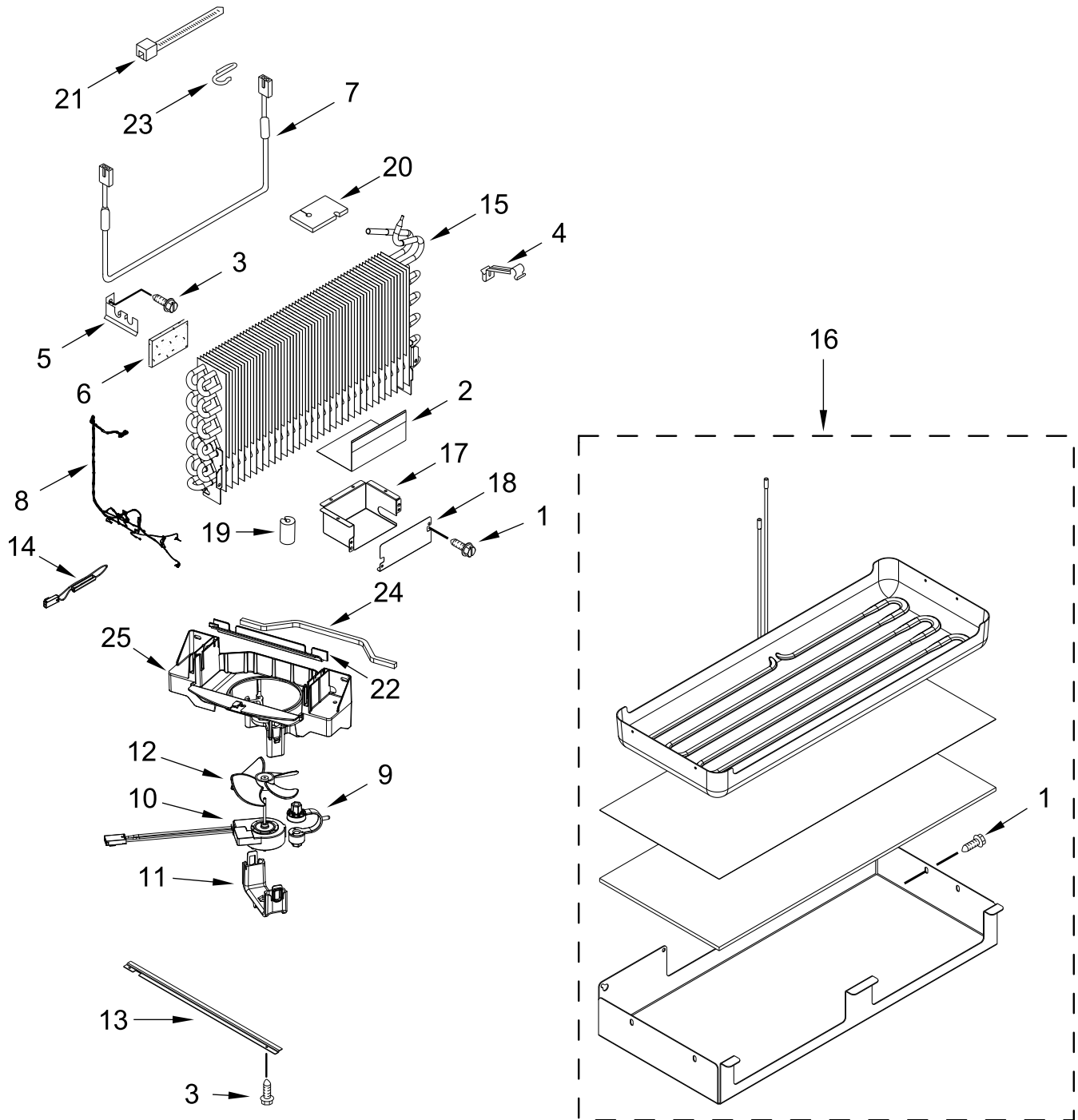
# UPPER UNIT PARTS



# UPPER UNIT PARTS

| <u>Illus. No.</u> | <u>Part No.</u> | <u>Description</u>                              | <u>Illus. No.</u> | <u>Part No.</u> | <u>Description</u>                                 | <u>Illus. No.</u> | <u>Part No.</u> | <u>Description</u>              |
|-------------------|-----------------|---|-------------------|-----------------|--|-------------------|-----------------|---------------------------------|
| 1                 | W10721030       | Assembly, Inverter Box                          | 17                | W10565844       | Assembly, HV Wire                                  | 35                | W10625531       | Bracket, Control Assembly       |
| 2                 | 489473          | Screw   | 18                | W10720080       | Tube, Heat Loop                                    | 36                | 549193          | Clamp, Power Cord               |
| 3                 | W10183959       | Compressor                                      | 19                | W10587113       | Grommet  | 37                | 2266802         | Switch, Power Disconnect        |
| 4                 | W10525175       | Cover, Condenser Support                        | 20                | 2310195         | Assembly, Jumper Wire (Power Switch to Power Cord) | 38                | W10545389       | Assembly, Suction Tube          |
| 5                 | W10739408       | Control, Electronic                             | 21                | W10704381       | Drier  | 39                | W10565841       | Assembly, LV Wire               |
| 6                 | 2183042         | Grommet   | 22                | W10414681       | Bracket, Fan Motor                                 | 40                | W10550831       | Housing, Control Board Mounting |
| 7                 |                 | Support, Condenser                              | 23                | W10527155       | Motor, Condenser Fan                               | 41                | W10635338       | Sensor, Humidity                |
|                   | W10525177       | Left Hand                                       | 24                | W10139483       | Blade, Fan   |                   |                 | Following Parts Not Illustrated |
|                   | W10525179       | Right Hand                                      | 25                | W10415670       | Orifice, Fan                                       |                   | 978025          | Valve, Access                   |
| 8                 | W10640411       | Assembly, LED Power Supply and Driver Enclosure | 26                | W10545670       | Assembly, Valve Body                               |                   | 978026          | Valve, Access                   |
| 9                 | 2215676         | Cover, Terminal                                 | 27                | W10146359       | Screw  |                   | 978027          | Valve, Access                   |
| 10                | W10720079       | Tube, Discharge/Drain Pan Heater                | 28                | W10544999       | Bracket, 3 Way Valve                               |                   | 978028          | Valve, Access                   |
| 11                | W10624574       | Supply, Power                                   | 29                | W10364560       | Coil, 3 Way Valve                                  |                   | 978029          | Valve, Access                   |
| 12                | 2203075         | Spacer  | 30                | W10555310       | Tube, Condenser/Drier                              |                   | 978030          | Valve, Access                   |
| 13                | 2256328         | Bracket, Inverter Mounting                      | 31                | W10528578       | Tube, Process                                      |                   | 876764          | Valve, Access                   |
| 14                | 487415          | Screw   | 32                | 486194          | Screw  |                   |                 | REFRIGERANT CHARGE              |
| 15                | 1157158         | Screw   | 33                | W10625259       | Assembly, Humidity Sensor Wire                     |                   |                 | 5.00 oz. (R-134A)               |
| 16                | W10591457       | Condenser                                       | 34                | 2310196         | Cord, Power  |                   |                 |                                 |

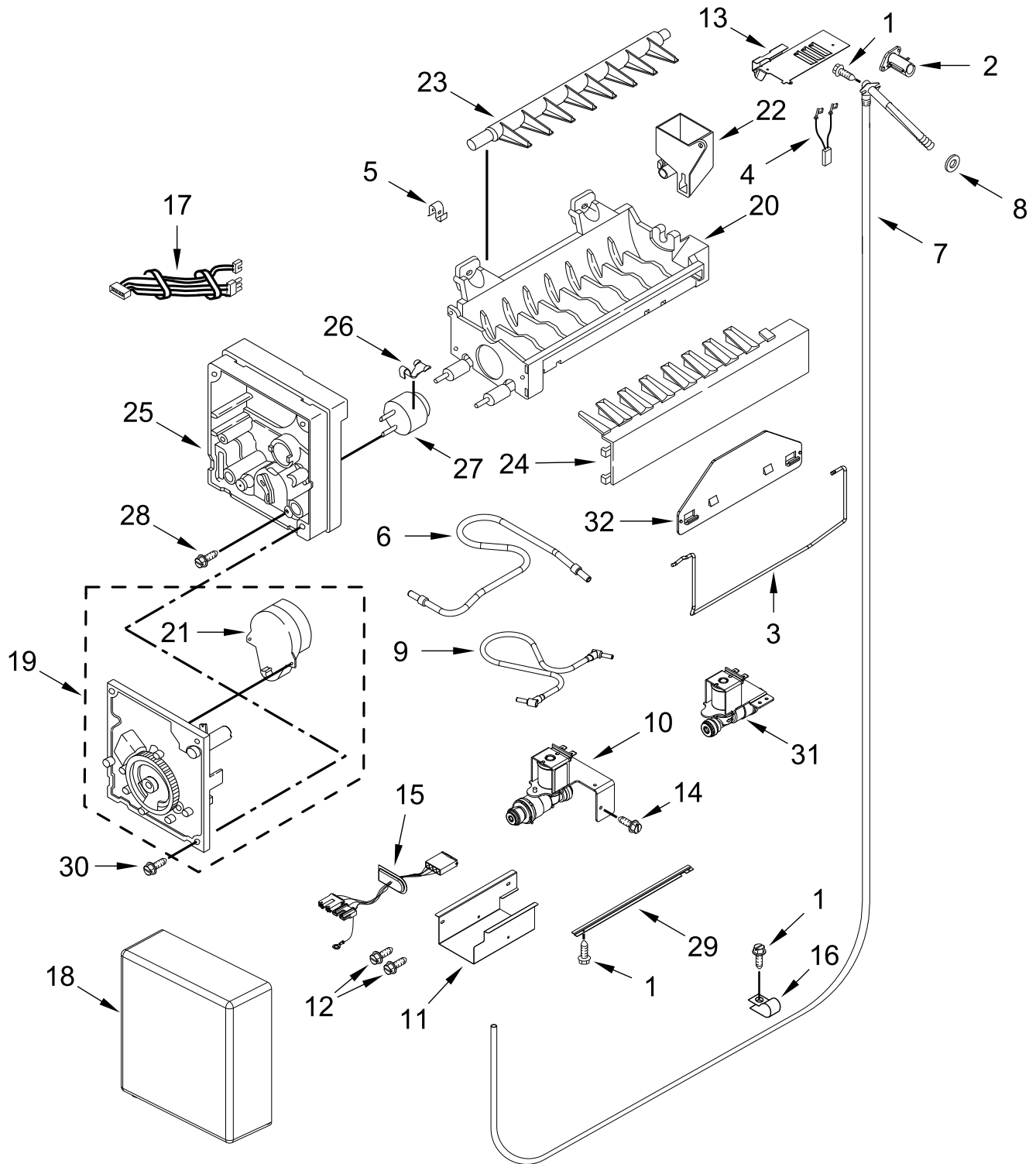
# LOWER UNIT AND TUBE PARTS



# LOWER UNIT AND TUBE PARTS

| <u>Illus.</u><br><u>No.</u> | <u>Part No.</u> | <u>Description</u>                       | <u>Illus.</u><br><u>No.</u> | <u>Part No.</u> | <u>Description</u>            | <u>Illus.</u><br><u>No.</u> | <u>Part No.</u> | <u>Description</u>                |
|-----------------------------|-----------------|--|-----------------------------|-----------------|-------------------------------|-----------------------------|-----------------|-----------------------------------|
| 1                           | 304392          | Screw                                    | 10                          | W10556724       | Motor, Fan                    | 19                          | 2319835         | Grommet, Condenser                |
| 2                           | W10321050       | Shelf, Wiring Cover                      | 11                          | 12956601        | Clip, Fan Motor               | 20                          | W10703410       | Block, Evaporator Water<br>Filter |
| 3                           | 486194          | Screw                                    | 12                          | 2200509         | Blade, Fan                    | 21                          | 2155774         | Tie, Wire                         |
| 4                           | 2307944         | Clip, Evaporator Heater                  | 13                          | 2320554         | Support, Drain Pan            | 22                          | W10567169       | Diverter, Air Shroud              |
| 5                           | 2307945         | Bracket, Evaporator<br>Heater Mounting   | 14                          | W10602825       | Assembly, Fuse Jumper<br>Wire | 23                          | 2317920         | Clip, Defrost Heater              |
| 6                           | 2169104         | Sealer, Insulation                       | 15                          | W10524054       | Assembly, Evaporator          | 24                          | W10762685       | Gasket                            |
| 7                           | W10524056       | Heater, Defrost                          | 16                          | W10735008       | Assembly, Drain Pan           | 25                          | W10803566       | Shroud, Evaporator Fan            |
| 8                           |                 | Assembly, Freezer Wire<br>(Not Serviced) | 17                          | W10321048       | Cover, Wire Box               |                             |                 |                                   |
| 9                           | 12951101        | Grommet, Fan Motor                       | 18                          | W10309012       | Cover, Wiring                 |                             |                 |                                   |

# ICE MAKER PARTS



# ICE MAKER PARTS

| <u>Illus.</u><br><u>No.</u> | <u>Part No.</u> | <u>Description</u>              | <u>Illus.</u><br><u>No.</u> | <u>Part No.</u> | <u>Description</u>                            | <u>Illus.</u><br><u>No.</u> | <u>Part No.</u> | <u>Description</u>                |
|-----------------------------|-----------------|---------------------------------|-----------------------------|-----------------|---|-----------------------------|-----------------|-----------------------------------|
| 1                           | 486194          | Screw                           | 13                          | 2221231         | Shield, Heat                                  | 25                          | 2195914         | Support, Housing                  |
| 2                           | 2221240         | Heater, Fill Tube               | 14                          | 304392          | Screw   | 26                          | 2315522         | Retainer, Thermostat              |
| 3                           | 2304352         | Arm, Shut Off                   | 15                          | W10565837       | Assembly, Water Valve Wire                    | 27                          | 627985          | Thermostat                        |
| 4                           | W10482373       | Assembly, Fill Tube Heater Wire | 16                          | 2208136         | Clip, Water Tube                              | 28                          | W10001280       | Screw                             |
| 5                           | 628379          | Clip, Thermal Fuse              | 17                          | W10508673       | Assembly, Ice Maker Wire                      | 29                          | 2320559         | Support, Valve                    |
| 6                           | W10619899       | Tube, Filter Inlet              | 18                          | W10289690       | Cover, Icemaker                               | 30                          | 489276          | Screw                             |
| 7                           | 2317847         | Assembly, Water Inlet Tube      | 19                          | 626691          | Assembly, Module and Motor                    | 31                          | W10578757       | Valve, Isolation (No Flow Washer) |
| 8                           | 1106508         | Gasket, Seal                    | 20                          | 628228          | Assembly, Mold and Heater (Also Order 542638) | 32                          | 2304353         | Extension, Shut Off Arm           |
| 9                           | W10635851       | Tube, Filter Outlet             | 21                          |                 | Motor (Not Available, Order #19)              | 100                         | W10645967       | Assembly, Complete Icemaker       |
| 10                          | W10574769       | Valve, Solenoid                 | 22                          | W10392442       | Cup, Water Fill                               |                             |                 |                                   |
| 11                          | W10619291       | Shield, Valve Electrical        | 23                          | 627843          | Ejector                                       |                             |                 |                                   |
| 12                          | W10001250       | Screw                           | 24                          | W10699925       | Stripper, Ice                                 |                             |                 |                                   |

# OPTIONAL PARTS

## PAINT, TOUCH-UP (1/2OZ.)

| <u>Illus.</u><br><u>No.</u> | <u>Part No.</u> | <u>Description</u>      |
|-----------------------------|-----------------|-------------------------|
|                             | 72017           | White                   |
|                             | 72032           | Black                   |
|                             | 511873          | White Porcelain (2 oz.) |
|                             | 4392899         | Biscuit/Bisque          |

## PAINT, PRESSURIZED SPRAY (12 OZ.)

| <u>Illus.</u><br><u>No.</u> | <u>Part No.</u> | <u>Description</u> |
|-----------------------------|-----------------|--------------------|
|                             | 350930          | White              |
|                             | 350939          | Enamel, Black      |
|                             | 285006          | Black              |
|                             | 350942          | White Primer       |
|                             | 4392901         | Biscuit/Bisque     |

## PAINT, BULK (1 QT.)

| <u>Illus.</u><br><u>No.</u> | <u>Part No.</u> | <u>Description</u> |
|-----------------------------|-----------------|--------------------|
|                             | 799344          | White (Uncut)      |

## MISCELLANEOUS

| <u>Illus.</u><br><u>No.</u> | <u>Part No.</u> | <u>Description</u>                                  |
|-----------------------------|-----------------|---|
|                             | 212643          | Sealer, Gum (4 Feet)                                |
|                             | 479502          | Tape, Vinyl (3/4 x 108")                            |
|                             | 876370          | Insulation (2 Pieces, 3" x 24" x 48")               |
|                             | 876305          | Insulation Kit (14 Pieces, 3" x 24" x 48")          |
|                             | 978941          | Insulation, Fiberglass (63 1/2" x 35 1/2" x 2 5/8") |
|                             | 876029          | Kit, Foam Slab (30" x 32 1/2" x 1 1/2")             |
|                             | 505587          | Sealer, Mastic (1 Qt)                               |
|                             | 503695          | Cork, Sealer  |
|                             | 20000008        | Cleaner, Stainless Steel                            |
|                             | 542638          | Grease, Silicone (1/2 Oz.)                          |
|                             | 542639          | Cement, Alumilastic (1 1/4 Oz.)                     |
|                             | 833938          | Kit, Terminal Connector                             |
|                             | 8003RP          | Kit, Water Inlet                                    |

## TORX SCREW WRENCH

| <u>Illus.</u><br><u>No.</u> | <u>Part No.</u> | <u>Description</u> |
|-----------------------------|-----------------|--------------------|
|                             | 1117510         | Torx Key           |