



# ROYAL SERIES UNDERBAR GLASS & CHEMICAL STORAGE CABINETS

MODEL: \_\_\_\_\_ PROJECT: \_\_\_\_\_ ITEM #: \_\_\_\_\_ QTY: \_\_\_\_\_

## PRODUCT IMAGES



KR18-GSB3 SHOWN

KR18-24SC SHOWN

**AVAILABLE IN 1800 or 2100 SERIES**

## OPTIONAL ACCESSORIES

- **KR-310** Right End Splash
- **KR-311** Left End Splash
- **KR-701** Perforated Dump Basket

## STANDARD FEATURES

- **Sink Bowl**  
20 gauge stainless steel. 10" x 14" x 6" deep bowl with 1" drain
- **Drainboard**  
20 gauge embossed stainless steel reinforced with welded braces every 6".  $\frac{3}{4}$ " radius on all vertical and horizontal edges
- **Front Apron**  
20 gauge stainless steel clad over 20 gauge galvanized steel
- **Slide Out Chemical Drawer**  
20 gauge stainless steel
- **Shelf**  
20 gauge stainless steel
- **Backsplash**  
20 gauge stainless steel
- **Sides**  
20 gauge stainless steel
- **Back and Bottom**  
20 gauge galvanized steel
- **Legs**  
1  $\frac{5}{8}$ " tubular 16 gauge stainless steel with grey plastic bullet foot
- **Plumbing**  
 $\frac{1}{2}$ " IPS hot and cold water. 1" IPS drain connection
- **Faucet**  
4" OC wall or deck mount faucet with ceramic cartridge valves
- **Low Lead Compliance**  
Low Lead Compliant faucet options are available to meet California AB-1953 and Vermont S152 standards



### CERTIFICATIONS:

### APPROVED BY:

Due to our commitment to continued product improvement, specifications are subject to change without notice.

Printed in the USA

**Krowne Metal Corporation**

100 Haul Rd. Wayne, NJ 07470 • Toll Free: (800) 631-0442 • Fax: (973) 872-1129  
sales@krowne.com • www.krowne.com • www.facebook.com/KrowneMetal • www.twitter.com/KrowneMetal

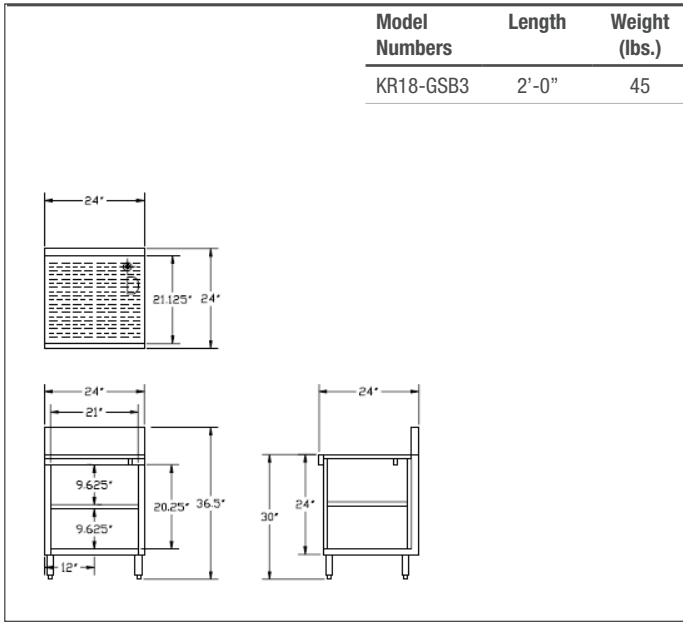
Rev. 09/2011  
No. 5.20



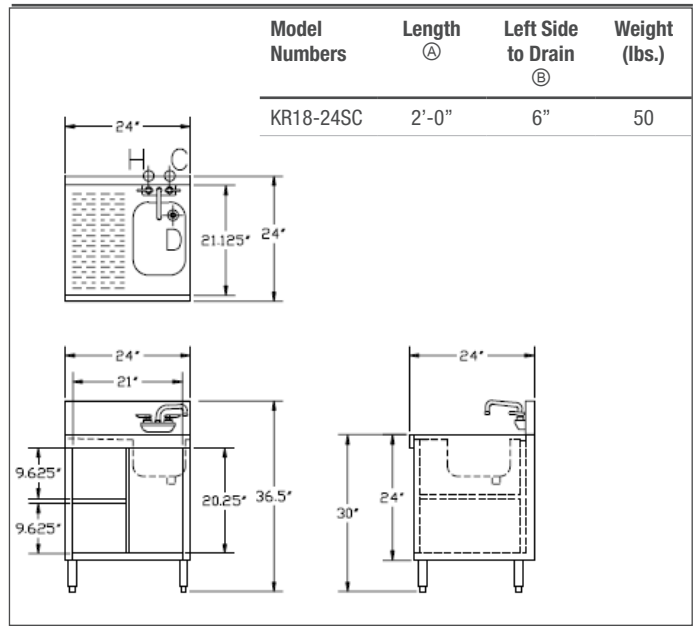
# ROYAL SERIES UNDERBAR GLASS & CHEMICAL STORAGE CABINETS

MODEL: \_\_\_\_\_ PROJECT: \_\_\_\_\_ ITEM #: \_\_\_\_\_ QTY: \_\_\_\_\_

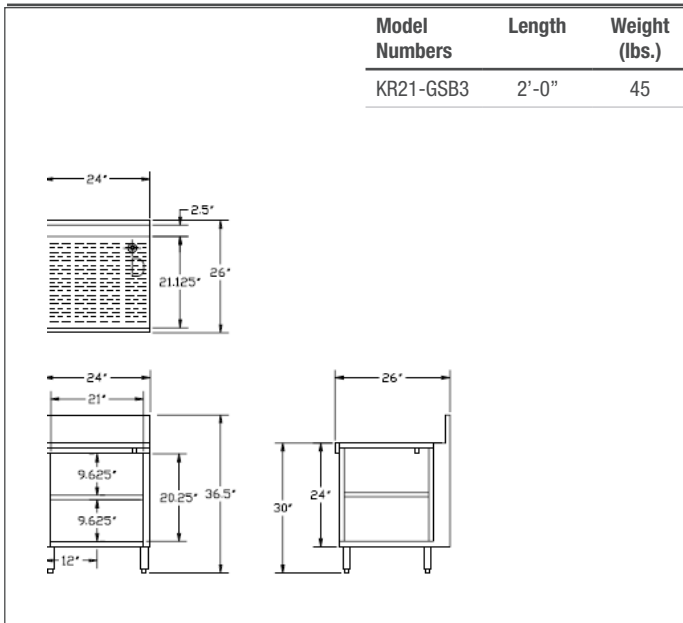
## 1800 SERIES: GLASS STORAGE



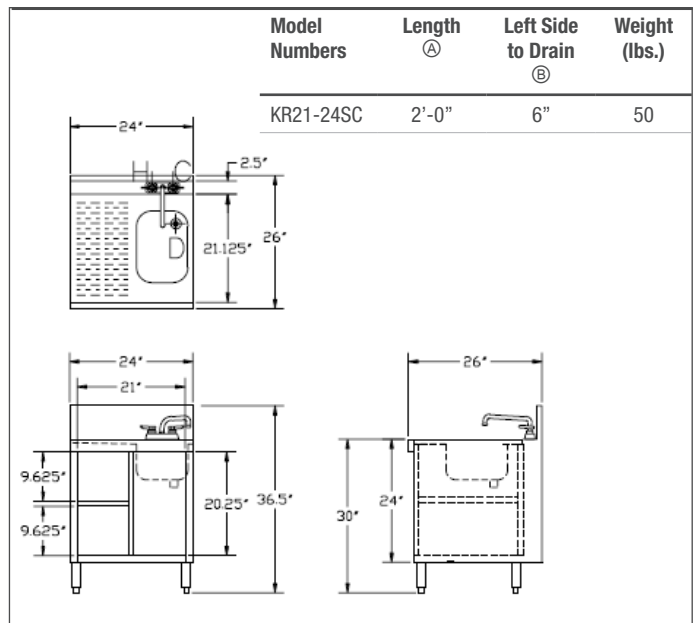
## 1800 SERIES: CHEMICAL STORAGE



## 2100 SERIES: GLASS STORAGE



## 2100 SERIES: CHEMICAL STORAGE



**APPROVED BY:**

Due to our commitment to continued product improvement, specifications are subject to change without notice.

**CERTIFICATIONS:**

**Krowne Metal Corporation**

Printed in the USA

100 Haul Rd. Wayne, NJ 07470 • Toll Free: (800) 631-0442 • Fax: (973) 872-1129

Rev. 09/2011

sales@krowne.com • www.krowne.com • www.facebook.com/KrowneMetal • www.twitter.com/KrowneMetal

No. 5.20