

**LG LAUNDRY**
**WT7405C\_**

5.3 cu. ft. Top Load Washer with 4-Way™ Agitator  
& TurboWash3D™ Technology

5.3 cu. ft. Mega Capacity  
4-Way™ Agitator  
TurboWash3D™ Technology  
6Motion™ Technology  
Smart Pairing™ and ThinQ® App with ThinQ Care  
Deep Fill Option  
ColdWash™ Technology  
NeveRust™ Stainless Steel Tub  
Direct Drive Motor 10-Year Limited Warranty  
ENERGY STAR® Certified

**AVAILABLE COLORS**

**Proactive Smart Alerts to Keep Your Appliances Running Smoothly**
**ThinQ Care**

- Preventative Alerts help you stay a step ahead of potential issues to find proactive solutions before problems arise.
- Avoid preventative repairs and service calls with real-time diagnostics for a hassle-free experience.
- Integrated within LG's ThinQ app—a smart home hub for managing your smart devices and appliances.



SUMMARY		WASH OPTIONS		SMART FEATURES	
Type	Top Load Washer	No. of Options	15	LG ThinQ® Technology	Yes
Energy Star Qualified	Yes		TurboWash™, Extra Rinse, Add Garments, Delay Wash, Control Lock, Deep Fill, ColdWash™, Rinse+Spin, Spin Only, StainCare, Tub Clean, Signal, Remote Start, Wi-Fi, Soak	ThinQ Care	Yes
Capacity (cu. ft.)	5.3 cu. ft.	Options		SmartDiagnosis™	Yes
Matching Electric Dryer	DLE7400WE, DLE7400VE	No. of Wash/Rinse Temps	5	Wi-Fi Connectivity	Yes
Matching Gas Dryer	DLG7401WE, DLG7401VE	Wash/Rinse Temps	Hot, Warm, Semi Warm, Cold, Tap Cold	Remote Start and Cycle Monitor	Yes
Color	White (W), Graphite Steel (V)	No. of Spin Speeds	5	Energy Monitoring	Yes (Wifi)
<b>APPEARANCE</b>		Spin Speeds	Extra High, High, Medium, Low, No Spin	<b>MOTOR AND AGITATOR</b>	
Intelligent Electronic Controls with Dual LED Display	Yes	No. of Water Levels	Automatically adjusts to the size of load	Motor Type	HEDD
Touch Buttons	Yes	No. of Soil Levels	3	Max RPM	950
Electronic Control Panel with LED Display	Yes	<b>FABRIC CARE FEATURES</b>		Axis	Vertical
Dial-A-Cycle™	Yes	TurboWash3D™ Technology	Yes	<b>MATERIALS AND FINISHES</b>	
<b>ENERGY</b>		SmartRinse™ Jet Spray System	Yes	NeveRust™ Stainless Steel Drum	Yes
ENERGY STAR® Qualified	Yes	ColdWash™ Option	Yes	Cabinet	Painted Steel
IMEF	2.06	SenseClean™ System	Yes	All Available Colors	White (W) / Graphite Steel (V)
IWF	4.3	<b>CONVENIENCE FEATURES</b>		Lid	White - Transparent Glass
<b>WASH PROGRAMS</b>		SlamProof™ Lid	Yes	<b>POWER SOURCE</b>	
No. of Programs	8	TrueBalance™ Anti-Vibration System	Yes	Ratings	CSA Listed
Wash Programs	Normal, Heavy Duty, Bedding, Deep Wash, Pre Wash+, Normal, Delicates, Waterproof, Downloaded	SmartDiagnosis™	Yes	Electrical Requirements	120V @ 60Hz.
		3-Tray Dispenser	Yes	<b>DIMENSIONS</b>	
		LoadSense	Yes	Product (WxHxD)	27" x 44 1/2" x 28 3/8" (57 1/4" H with lid open)
		Status Indicator(s)	Yes	Carton (WxHxD)	29 19/32" x 46 3/8" x 31 3/8"
		End of Cycle Signal	Yes	Weight (Product)	130 lbs
		Child Lock	Yes	Weight (Carton)	162.3 lbs
		Auto Suds Removal	Yes	<b>LIMITED WARRANTY</b>	
		Forced Drain System	Yes	Parts and Labor	1 Year
		Add Garment Indicator	Yes	Direct Drive Motor	10 Years
		LoDecibel™ Quiet Operation	Yes	Drum	3 Years
		Leveling Legs	Yes	<b>UPC CODES</b>	
				WT7405CW (White)	195174026632
				WT7405CV (Graphite Steel)	195174026670

## LG LAUNDRY

## WT7405C\_

5.3 cu. ft. Top Load Washer with  
4-Way™ Agitator & TurboWash3D™ Technology

## QUICK INSTALL &amp; CLEARANCES

For full installation directions/clearances please refer to  
the corresponding User Manual and Installation Guide.

## DIMENSIONS/CLEARANCES/WEIGHTS

A Width	27"
B Height	44 1/2"
C Depth	28 3/8"
D Height with lid open	57 1/4"
Carton Dimensions (WxHxD)	29 19/32" x 46 3/8" x 31 3/8"

## ENERGY / RATINGS

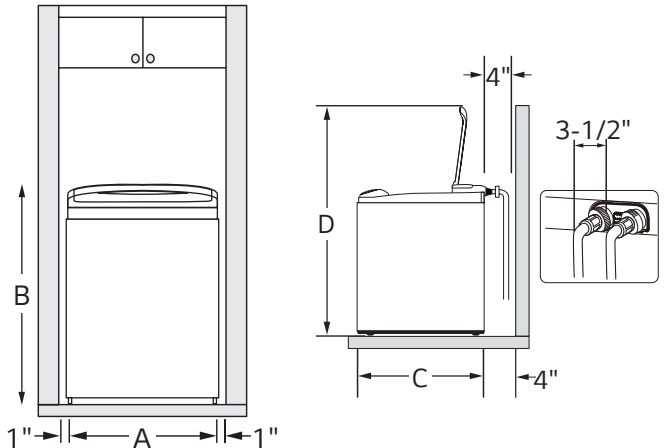
ENERGY STAR® Qualified	Yes
IMEF	2.06
IWF	4.3
Ratings	CSA Listed
Electrical Requirements	120V @ 60Hz.

## ELECTRICAL REQUIREMENTS

- The washer should be plugged into a 120-VAC, 60-Hz grounded 3-prong outlet. Plug in the washer. Improper connection of the equipment-grounding conductor can result in risk of electric shock. Check with a qualified electrician or service technician if you are in doubt as to whether the appliance is properly grounded. Do not modify the plug provided with the appliance. If it does not fit the outlet, have a proper outlet installed by a qualified electrician. Failure to follow these warnings can cause serious injury, fire, electrical shock, or death.
- The power outlet must be within 60 inches (1.5 m) of either side of the washer.
- The appliance and outlet must be positioned so that the plug is easily accessible.
- Do not overload the outlet with more than one appliance.
- The outlet must be grounded in accordance with current wiring codes and regulations.
- Time-delay fuse or circuit breaker is recommended.
- It is the personal responsibility and obligation of the product owner to have a proper outlet installed by a qualified electrician.



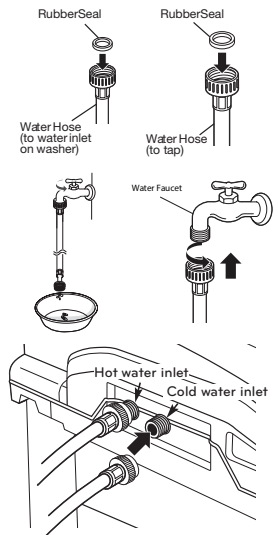
## DIMENSIONS AND CLEARANCES



- To ensure sufficient clearance for water lines and airflow, allow minimum clearances of at least 1 in. (2.5 cm) at the sides and 4 in. (10 cm) behind the unit. Be sure to allow for wall, door, or floor moldings that may increase the required clearances.

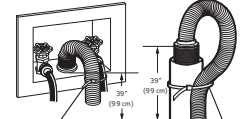
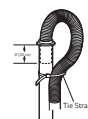
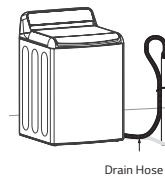
## CONNECTING THE WATER LINES

- LG recommends the use of LG hoses. Any leaking, property damage, or damage to the washing machine caused by an improper installation or by the use of non-LG hoses is not covered under the terms of the LG warranty and is the sole responsibility of the customer and/or an installer.
- Water supply pressure must be between 20 psi and 120 psi (138-827 kPa). If the water supply pressure is more than 120 psi, a pressure reducing valve must be installed.
- Inspect the threaded fitting on each hose and make sure there is a rubber seal in place in both ends of each hose.
- Connect the water supply hoses to the HOT and COLD water faucets tightly by hand and then tighten another 2/3 turn with pliers.
- Always run a gallon or two of water through each inlet hose to flush dirt, scale and other debris out of the water lines. Doing so will help prevent future problems with clogged filter screens, and will also allow you to verify which water line is hot and which is cold.
- Attach the hot water line to the hot water inlet on the back of the washer. Attach the cold water line to the cold water inlet on the back of the washer. Tighten the fittings securely. Turn ON both faucets all the way and check for leaks at both ends of the hoses.



## CONNECTING THE DRAIN HOSE

- The drain hose should always be properly secured. Failure to properly secure the drain hose can result in flooding and property damage.
- The drain must be installed in accordance with any applicable local codes and regulations.
- Make sure that the drain hose is not stretched, pinched, crushed, or kinked.
- Normal height of the end of the hose should be approximately 35"-47" (0.9-1.2 m) from the floor.
- Do not install the end of the drain hose lower than 29 in. (73.7 cm) or higher than 96 in. (243.8 cm) above the bottom of the washer or more than 60 in. (152.4 cm) away from the washer.
- Never create an airtight seal between the hose and the drain with tape or other means. If no air gap is present, water can be siphoned out of the tub resulting in poor wash/rinse performance or clothing damage.



- STANDPIPE Option**
- Do not insert the end of the drain hose into the standpipe more than 8 inches (20cm). **Doing so can cause siphoning, odors, or improper draining.**

## LAUNDRY TUB Option

- Do not use this drain hose with a floor drain. The end of the drain hose must be at least 29 inches above the floor for proper draining to occur.

# DLE7400\_E / DLG7401\_E

7.3 cu. ft. Rear Control Dryer with  
EasyLoad™ Door

7.3 cu. ft. Ultra Large Capacity

EasyLoad™ Door

Sensor Dry

FlowSense™ Duct Clogging & Lint Filter Indicators

Aluminized Alloy Steel Drum

LoDecibel™ Quiet Operation

SmartDiagnosis™

ThinQ® App with ThinQ Care

Reversible Door

Wrinkle Care Option

ENERGY STAR® Certified

## AVAILABLE COLORS



WHITE



GRAPHITE STEEL



## Proactive Smart Alerts to Keep Your Appliances Running Smoothly

## ThinQ Care

- Preventative Alerts help you stay a step ahead of potential issues to find proactive solutions before problems arise.
- Avoid preventable repairs and service calls with real-time diagnostics for a hassle-free experience.
- Integrated within LG's ThinQ app—a smart home hub for managing your smart devices and appliances.



SUMMARY		FABRIC CARE FEATURES		POWER SOURCE	
Type	Rear Control Top Load Dryer	Sensor Dry	Yes	Ratings	CSA Listed
Capacity	7.3 cu. ft.	Precise Temperature Control with Variable Heater	Yes	Electrical Requirements / Type	<b>Electric:</b> 240V 30 Amps <b>Gas:</b> 120V, 15 Amps
Matching Washer	WT7405C_ / WT7400C_	CONVENIENCE FEATURES		BTU Rating	Gas: 20,000
Sensor Dry	Yes	3 Minute Installation Check	Yes	OPTIONS	
Color	White (W) / Graphite Steel (V)	LoDecibel™ Quiet Operation	Yes	LP Conversion Kit	383EEL3002D
APPEARANCE		End of Cycle Signal	Yes	Side Venting Kit	383EEL9001B
EasyLoad™ Door	Yes	Drum Light	Yes	DIMENSIONS	
Intelligent Electronic Controls with LED Display	Yes	Reversible Door	Yes	Product (WxHxD)	27" x 44 1/4" x 29 1/2" (50 1/4" D with door open)
Dial-A-Cycle™	Yes	FlowSense™ Duct Clogging Indicator	Yes	Carton (WxHxD)	29 1/2" x 47 1/8" x 30 7/8"
ENERGY		Wrinkle Care Option	Yes	Weight (Product)	<b>Electric:</b> 129.8lbs. <b>Gas:</b> 132.5lbs.
ENERGY STAR® Certified	Yes	Child Lock	Yes	Weight (Carton)	<b>Electric:</b> 149.6lbs. <b>Gas:</b> 152.3lbs.
DRYER PROGRAMS		Venting Option	<b>Electric:</b> 4 Way Venting <b>Gas:</b> 3 Way Venting	LIMITED WARRANTY	
No. of Programs	8	4 Adjustable Legs	Yes	Parts & Labor	1 Year
	Normal, Heavy Duty, Bedding, Delicates, Perm Press, Speed Dry (Manual Dry), Air Dry (Manual Dry), Downloaded (Manual Dry)	Remaining Time Display/ Status Indicator(s)	Yes	UPC CODES	
DRYER OPTIONS		SMART FEATURES		DLE7400WE (Electric / White)	195174026649
No. of Options	12	LG ThinQ® Technology	Yes	DLG7401WE (Gas / White)	195174026656
	Wrinkle Care, Custom Program, PGM Save, Child Lock, More Time, Less Time, Signal, Damp Dry Signal, Energy Saver, Default On/Off, Wi-Fi Connect, Remote Start	ThinQ Care	Yes	DLE7400VE (Electric / Graphite Steel)	195174026687
		SmartDiagnosis™	Yes	DLG7401VE (Gas / Graphite Steel)	195174026694
		Wi-Fi Connectivity	Yes		
		Remote Start and Cycle Monitor	Yes		
		Energy Monitoring	Yes		
DRYER DETAILS		MATERIALS AND FINISHES			
Temperature Settings	High, Med.High, Medium, Low, Ultra Low	Aluminized Alloy Steel Drum	Yes		
Drying Levels	Very Dry, More Dry, Normal Dry, Less Dry, Damp Dry	Tub Rear	Painted		
Manual Dry Times	60, 50, 40, 30, 20 min, More-Less	Cabinet	Painted Steel		
		Door / Trim	Solid / Silver painted		