

# MCB 3652

←36"→

## 36" Monolith French Door



### Features & Benefits

**InfinitySwipe:** Intuitive electronic touch-control panel features a full-color 3.5-inch touch & swipe screen that allows you to control every function.

**InfinityLight:** Casts beautiful and even side lighting that can be tuned according to personal taste, including a soft brightening effect upon opening the doors.

**InfinitySpring:** Seamlessly integrated flush-mounted internal water dispenser that's there when you need it, and virtually invisible when you don't.

**PowerCooling:** Allows cool moist air flow into the BioFresh chambers and cold air to circulate behind the door, so items stored in the door remain as cold as everything else in the refrigerator.

**BioFresh-Plus:** Featuring separate electronic controls, BioFresh-Plus offers precise temperature regulation, and with our practical divider, you can easily separate the drawer into two compartments with independent temperatures for everyday use.

**Individually Opening French Doors:** Get the most out of your French door refrigerator, with two doors that open completely silent and independent of each other, providing more space than a traditional one-door refrigerator.

### Warranty terms

Full 2-Year Warranty, full 5-Year Warranty in the Sealed System and limited 12 Year Warranty.



Bio Fresh Plus

Infinity Light

Ice Maker

Soft System

Soft-Telescopic

Smart Device



Energy consumption (kWh/y)	561
Estimated Yearly Energy Cost in US \$	67*
Sound rating dB(A)	40**
Total capacity cu.ft. (l)	18.0 (510)
Refrigerator capacity cu.ft. (l)	8.4 (239)
BioFresh-Plus compartment cu.ft. (l)	3.1 (87)
Freezer capacity cu.ft. (l)	6.5 (184)
Number of shelves	3
Number of door racks	4
Number of freezer drawers	2
Electronic control	InfinitySwipe
Refrigerator temperature range °F (°C)	+36 °F to +45 °F (+2 °C to +7 °C)
Freezer temperature range °F (°C)	+7 °F to -17 °F (-14 °C to -27 °C)
Defrost type	automatic
Interior light	InfinityLight
Internal Water Dispenser	InfinitySpring
Water filter	yes
IceMaker	fixed water connection
Ice cube output lbs. (kg) / 24h	3.5 (1.6)
Ice cube stock lbs. (kg)	6.6 (3)
Door hinges	left fix / right fix

#### Product dimensions

in inch (H / W / D)	83 3/4" / 35 11/16" / 24"
in cm (H / W / D)	212.6 / 90.6 / 61

#### Cut out dimensions

in inch (H / W / D)	84" / 36" / 25"
in cm (H / W / D)	213.4 / 91.4 / 63.5
Net weight lbs. (kg)	418.9 (190)
Voltage V / Hz	115/60

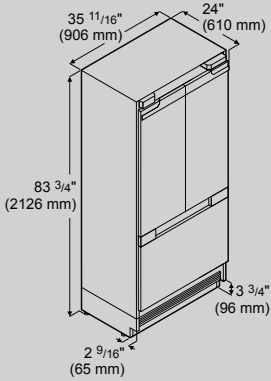
#### Available Accessories

9903 022 Stainless steel panel set
9901 461 Monolith brushed aluminum square handle
9901 489 Monolith stainless steel round handle
9901 492 Monolith brushed aluminum soft-edge handle
9902 349 Stainless steel Toe Kick

\* Estimated energy cost will depend on utility rates and use.  
Estimated energy cost based on a national average electricity cost of 12 cents per kWh.  
\*\* Noise output - according to EN 60704-3.

# LIEBHERR

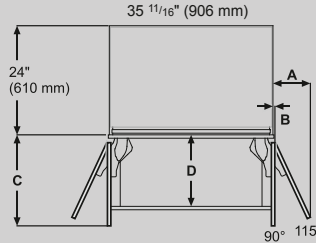
# Product Dimensions



**IMPORTANT!**

Stated minimum height dimensions include when the leveled feet are fully inserted.

Height can be increased by a maximum of 3/4" (19 mm) by turning the adjustable feet. When the appliance is fitted in the recess, the appliance must be raised by turning the adjustable feet so that the appliance top has contact with the anti-tipping bracket. This results in a 4" (102 mm) Toe Kick height. Width will increase by 1/4" (6.5 mm) when mounting strips are installed.



**Inset**

- A = 8 1/4" (210mm)
- B = 1/2" (12.5 mm)
- C = 20 1/16" (510 mm)

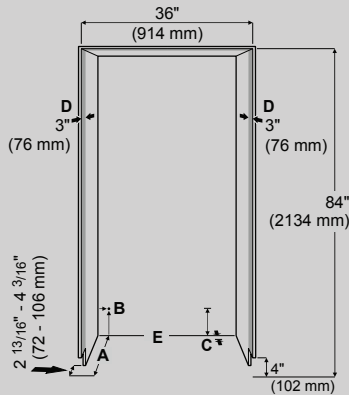
**Frameless**

- A = 8 1/4" (210 mm)
- B = 1/2" (12.5 mm)
- C = 20 1/16" (510 mm)
- D = 15 3/4" (400 mm)

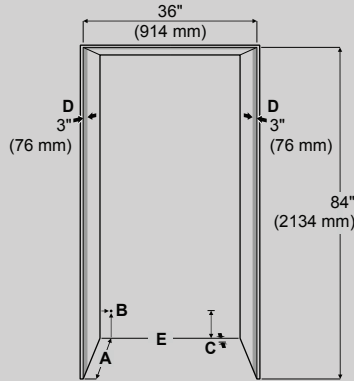
Dimension A = without mounted door handle

# Cut out Dimensions

**Continuous Toe Kick**



**Individual Toe Kick**



**A**

Cabinet depth frameless installation style = 25" (635 mm)  
Cabinet depth inset installation style = 25" (635 mm) + panel thickness

**B**

At this point the power cord exits from the appliance rear. 3/4" (19 mm) from the left and 5" (127 mm) from the floor. Free length of the power cord is 98" (2.5 m).

**C**

The appliance has a recess in this area for cable and waterline laying. 1" (25 mm) in depth and 5 1/2" (140 mm) in height over the whole width of the appliance.

**D**

This surface is visible when the appliance door is open. Designed finish is required.

**E**

The anti-tipping bracket is positioned at the base of the appliance and must be secured to the wall or to the floor, please refer to the installation manual for more information.

# Door Panel Dimensions

and dimensions of free length for power

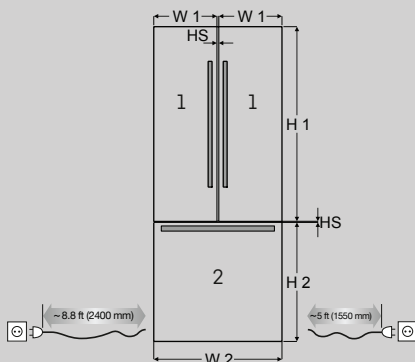
**36" recess**

**Inset installation style**

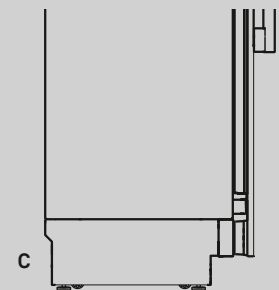
- H1 = 49 3/8" (1255 mm)
- H2 = 30 1/4" (768 mm)
- HS = 1/4" (6 mm)
- W1 = 17 3/4" (451 mm)
- W2 = 35 3/4" (908 mm)

**Frameless installation style**

- H1 = 49 1/2" (1258 mm)
- Add overlapping dimension to the panel on the top.
- H2 = 30 1/4" (768 mm)
- HS = 1/4" (6 mm)
- W1 = 17 7/8" (454 mm)
- Add overlapping dimension to the panel on the outer sides.
- W2 = 36" (914 mm)
- Add overlapping dimension to the panel on both sides.



- Panel thickness: Min. 5/8" (16 mm)\* / Max. 1" (25.4 mm)
- Panel and handle weight 1: Max. 88 lbs. (40 kg)
- Panel and handle weight 2: Max. 66 lbs. (30 kg)



\* If a shaker style panel is used, which is thinner than the minum panel thickness, shorter screws than those supplied in the accessory pack must be used.