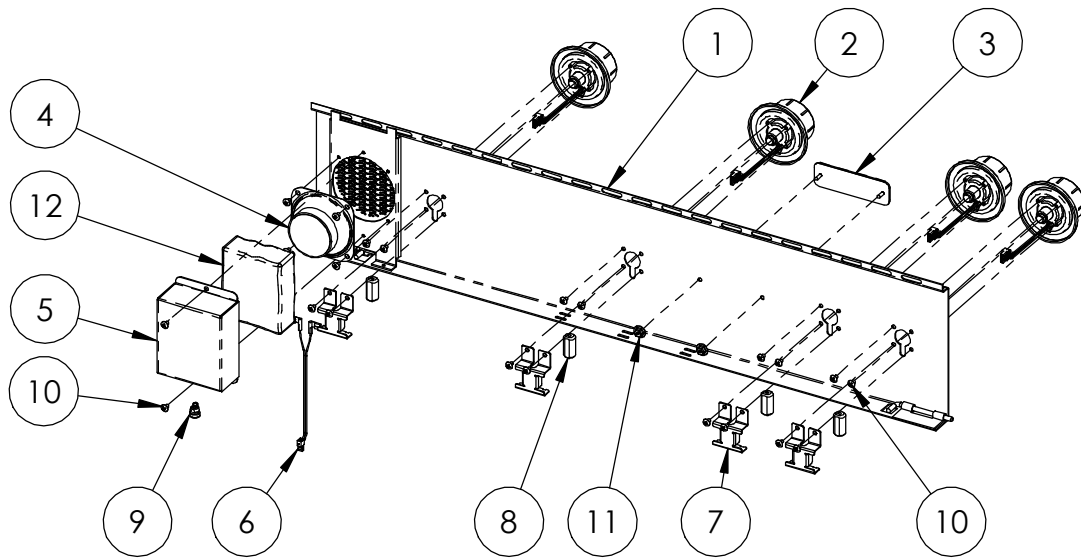
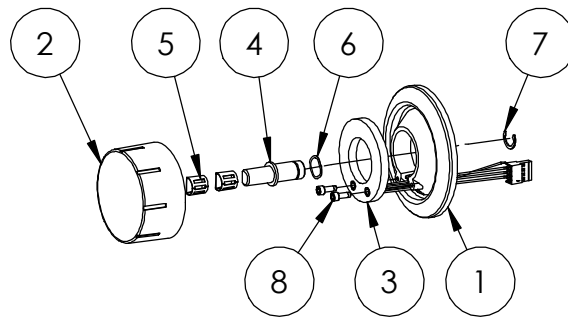


			30"	36"	42"				30"	36"	42"	
* 1	70302	FIREBOX, 30" SG, WELDMENT	1				24	33052	IGNITER, HOT SURFACE (SHORT)	3	4	4
* 2	70303	FIREBOX, 36" SG, WELDMENT		1			25	35292	COVER, BREAKOUT BOARD	1	1	1
* 3	70304	FIREBOX, 42" SG, WELDMENT			1		26	35369	TC RETAINER CLIP	4	6	6
	70357	FRONT HOOD, 30", SG, WLDMT	1				27	35100	BRACKET, HOLDER, BURNER, SG	2	3	3
	70358	FRONT HOOD, 36", SG, WLDMT		1			28	31692	STIFFENER, FIREBOX, 30/42	1		2
	70359	FRONT HOOD, 42", SG, WLDMT			1			35371	STIFFENER, FIREBOX, 36		2	
3	80269	REAR HOOD, WELD ASSY, 30"	1				29	31736	END CAP, HOOD HANDLE, W/INSUL	2	2	2
	80270	REAR HOOD, WELD ASSY, 36"		1			30	33136	IR IGNITER COVER	1	1	1
	80271	REAR HOOD, WELD ASSY, 42"			1		31	31563	FORK, ROTISSERIE	2	2	2
4	80922	MANIFOLD, 30, SG, ASSY	1				32	33416	ROTIS POWER CORD	1	1	1
	80923	MANIFOLD, 36, SG, ASSY		1			33	80440	ROTIS JACK WIRE HARNESS	1	1	1
	80924	MANIFOLD, 42, SG, ASSY			1		34	32522	HOOD HANDLE, 30" PRO	1		
5	70331	BRACE, BURNER, 30" SG, WLDMT	1					32523	HOOD HANDLE, 36" PRO		1	
	70332	BRACE, BURNER, 36" SG, WLDMT		1				32524	HOOD HANDLE, 42" PRO			1
	70333	BRACE, BURNER, 42" SG, WLDMT			1		35	33389	HOOD STOP, W/ROTIS	1	1	1
6	80927	BULLNOSE, 30, SG, ASSY	1				36	32468	HOOD STOP	1	1	1
	80928	BULLNOSE, 36, SG, ASSY		1			37	10158	WOODCHIP TRAY, LARGE	1	1	1
	80929	BULLNOSE, 42, SG, ASSY			1		38	31874	EXTENSION SPRING W/HOOKS	2		2
7	80919	PANEL, CONTROL, 30", ASSY	1					31780	EXTENSION SPRING W/HOOKS		2	
	80920	PANEL, CONTROL, 36", ASSY		1			39	30417	COVER, IR ACCESS	1	1	1
	80921	PANEL, CONTROL, 42", ASSY			1		40	33033	FRONT RETAINING BRACKET, RACK	2	2	2
8	33415	BURNER, PS2, 30, 42, 54	2		3		41	33597	BRACKET, RETAIN, WARMING RACK, LH	1	1	1
	33478	BURNER, IR MAIN, PROSEAR2		3			42	20021	INSULATION	1	1	1
9	80951	BREAKOUT BOARD, 30, ASSY	1				43	35410	INSULATION, DIE-CUT, 30"	1		
	80952	BREAKOUT BOARD, 36/42, ASSY		1	1			35411	INSULATION, DIE-CUT, 36"		1	
10	70365	IR IGNITER BRACKET WLDMT	1					35412	INSULATION, DIE-CUT, 42"			1
11	80966	DRIP PAN, SMART GRILL, 30" ASSY	1				44	32477	BUMPER, 1/2" DIA, RUBBER, PRESS IN	2	2	2
	80967	DRIP PAN, SMART GRILL, 36" ASSY		1			45	32470	BUMPER, 3/4, RUBBER, PRESS IN	2	2	2
	80968	DRIP PAN, SMART GRILL, 42" ASSY			1		46	35310	GROMMET, RBR, 3/8 ID, HI-TEMP	6	8	8
12	32156	REAR HOOD LINER, 30"	1				47	33984	GROMMET, RBR, 1 I.D. X 1 3/8 O.D.	1	1	1
	32441	REAR HOOD LINER, 36"		1			48	20055	WHEEL, BALL BERING, SS	6	6	6
	32442	REAR HOOD LINER, 42"			1		49	14024	NUT, #8-32, LOCK TOOTH WASHER, STEEL	7	7	7
13	80446	SINGLE LIGHT ASSEMBLY	1				50	31805	NUT, #8-32, A CORN, SS	4	4	4
	80447	DUAL LIGHT ASSEMBLY		1	1		51	32196	NUT, #10-24, A CORN, SS	2	2	2
14	80971	ROTISS MOTOR ASSEMBLY	1	1	1		52	14023	NUT, #10-40, SPEED, STEEL	3	3	3
15	80273	INFRARED PANEL ASSY 30"	1				53	L14009	NUT, 1/4-20, HEX, SS	2	2	2
	80274	INFRARED PANEL ASSY 36"		1			54	32987	WASHER, #10, FLT, SS	2	2	2
	80275	INFRARED PANEL ASSY 40"			1		55	31317	WASHER, 1/4, FLAT, SS, 1-1/4 O.D.	4	4	4
16	35302	THERMOCOUPLE, BURNER, 2"	3	4	4		56	14044	WASHER, 1/4, FLT, SS, 11/16 O.D.	7	9	9
17	35026	THERMOCOUPLE, GRATES, 6"	2	3	3		57	32939	SPACER, #10 NOM, 5/16 OD X 9/32, SS	2	2	2
18	32128	SPIT ROD, 30"	1				58	34510	HOOD SPACER, UNIVERSAL	2	2	2
	32129	SPIT ROD, 36"		1			59	30617	SCREW, #6-32 X 1/4, FIP, STEEL	2	2	2
	32130	SPIT ROD, 42"			1		60	34035	SCREW, #6-32 X 1/4, THP, SS	11	13	13
19	32940	BRACKET, MOUNT, ROTIS MOTOR	1				61	14018	SCREW, #6-32 X 1/4, PHP, SS	4	6	6
20	32109	WARMING RACK, 30" PRO	1				62	14014	SCREW, #8-32 X 1/2, THP, SS	8	9	9
	32110	WARMING RACK, 36" PRO		1			63	31804	SCREW, #8-32 X 5/8, FHP, STEEL	4	4	4
	32111	WARMING RACK, 42" PRO			1		64	32469	SCREW, #8-32 X 1, THP, SS	4	4	4
21	35359	HEAT SHIELD, BULLNOSE, 30	1				65	31782	SCREW, SHLDR, #8-32 X 3/16, SLTD, SS	4	4	4
	35360	HEAT SHIELD, BULLNOSE, 36		1			66	14099	SCREW, #10-24 X 3/4, FHP, SS	4	4	4
	35361	HEAT SHIELD, BULLNOSE, 42			1		67	14013	SCREW, 1/4-20 X 1, BHS, STEEL	2	2	2
22	35356	HEAT SHIELD, FIREBOX, FRONT, 30	1				68	14030	SCREW, 1/4-20 X 1/2, HHD, SS	23	29	29
	35357	HEAT SHIELD, FIREBOX, FRONT, 36		1			69	14012	SCREW, 1/4-20 X 3/8, THP, STEEL	11	11	11
	35358	HEAT SHIELD, FIREBOX, FRONT, 42			1		70	31930	SCREW, 1/4-20 X 3/8, HHD, SS	4	4	4
23	30018	GRATE PROFESSIONAL, 30/42/54	2		2		71	35424	CLIP, PANEL, #10	AR	AR	AR
	17020	GRATE PROFESSIONAL, 16-1/2 X 18 1/2		2								
	30019	GREAT PROFESSIONAL, 42/54			1							

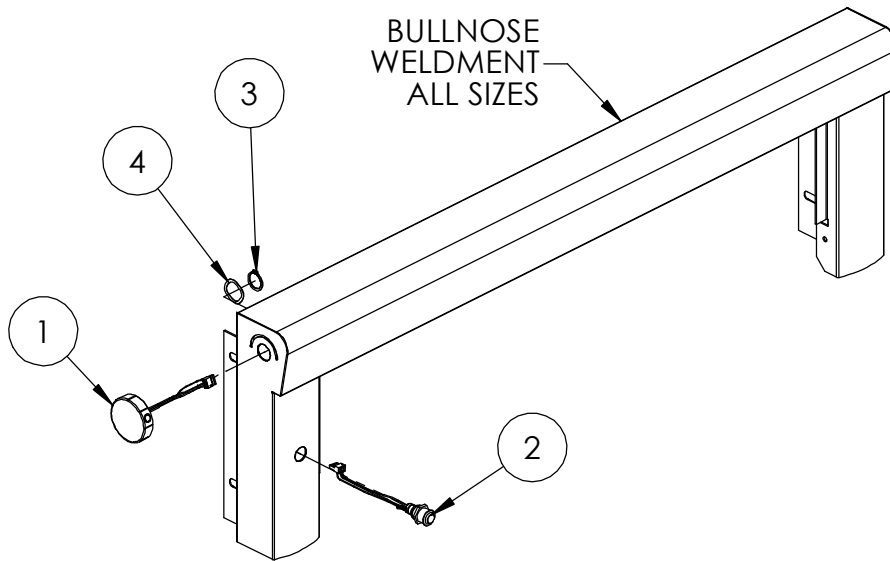
* ITEM IS NOT FIELD REPLACABLE



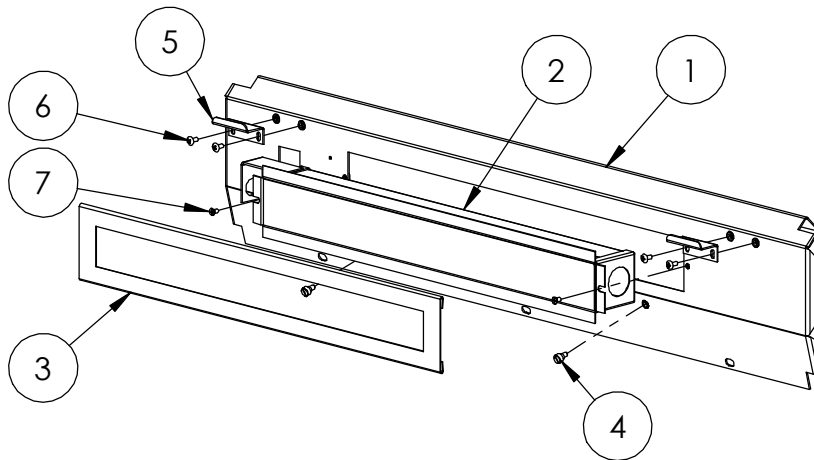
CONTROL PANEL ASSEMBLY						
ITEM	P/N	DESCRIPTION	GRILL SIZE			
			30"	36"	42"	
1	70308	PANEL, CONTROL, 36" , WLDMT	1			
	70309	PANEL, CONTROL, 36" , WLDMT		1		
	70310	PANEL, CONTROL, 36" , WLDMT			1	
2	80925	KNOB, ILLUMINATED, SG, ASSY	3	4	4	* SEE BELOW
3	L11074	LYNX LOGO	1	1	1	
4	35062	SPEAKER, 3.3", 8ohm	1	1	1	
5	35367	COVER, SPEAKER	1	1	1	
6	35262	HARNES, WIRE, SPEAKER PERIPHERAL	1	1	1	
7	35365	MTG BRACKET, FERRITE, SG	3	4	4	
8	35349	FERRITE, CLAMP ON,, .138" I.D.	3	4	4	
9	35390	CORD GRIP, SNAP-IN, .13-.19 CABLE	1	1	1	
10	34035	SCREW, #6-32 X 1/4, THP, SS	18	22	22	
11	31062	NUT, 1/8, SPEED, STEEL, SELF THREADING	2	2	2	
12	20021	INSULATION	1	1	1	



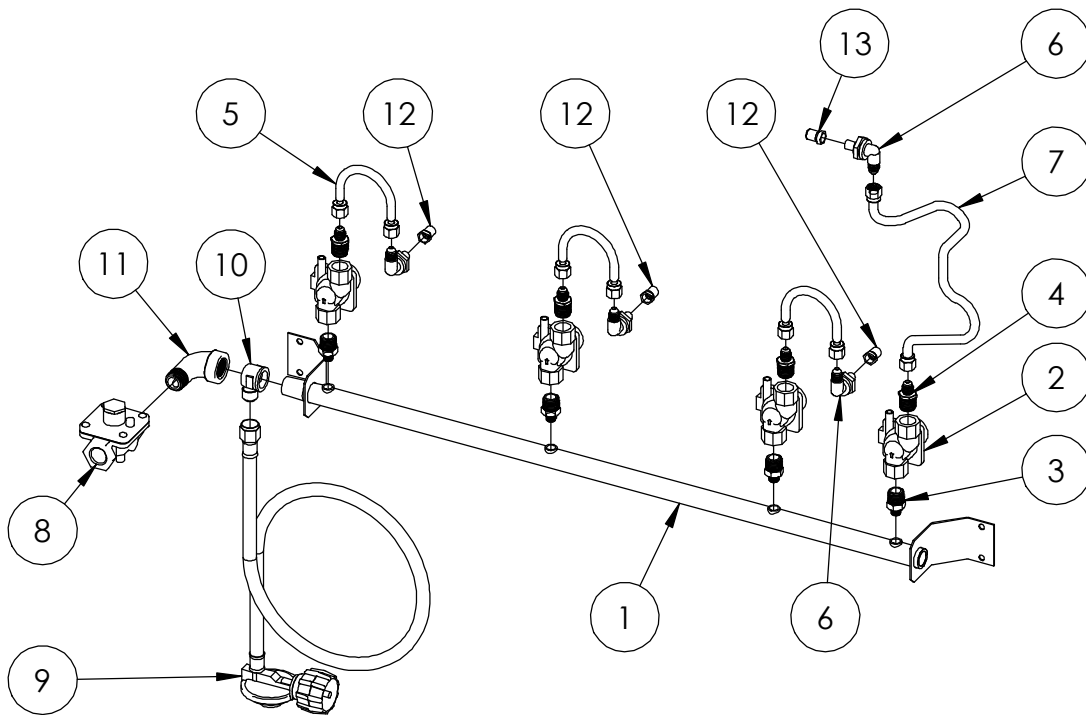
* ILLUMINATED KNOB ASSEMBLY						
ITEM	P/N	DESCRIPTION				
1	35034	BEZEL, KNOB, ILLUMINATED		1		
2	80964	KNOB, BONDED, ASSY		1		
3	35060	PCB, KNOB		1		
4	35037	KNOB, SHAFT		1		
5	33018	CLIP, KNOB		2		
6	35067	SPRING, WAVE, DISC		1		
7	35068	C-CLIP, RETAINER		1		
8	35389	SCREW, #4-40 X 5/16, SHC, SS		2		



BULLNOSE ASSEMBLY			
NO.	P/N	DESCRIPTION	QTY.
1	80926	MICROPHONE DIAL ASSY	1
2	80953	SWITCH, PUSH-BUTTON, ASSY	1
3	35064	RTN RING, EXT, 3/8" SHAFT	1
4	35141	SPRING, WAVE, DISC,	1



INFRARED PANEL ASSEMBLY					
ITEM	P/N	DESCRIPTION	GRILL SIZE		
			30"	36"	42"
1	80843	IR PANEL WELDMENT, L30	1		
	80842	IR PANEL WELDMENT, L36		1	
	80841	IR PANEL WELDMENT, L42			1
2	32989	IR BURNER, MEDIUM	1	1	
	32990	IR BURNER, LARGE			1
3	32992	COVER TRIM, IR BURNER, MEDIUM	1	1	
	32993	COVER TRIM, IR BURNER, LARGE			1
4	32222	SCREW, SHLDR, #10-32 X 1/4, SLTD, SS		2	
5	32133	REAR RETAINING BRACKET, WR		2	
6	14014	SCREW, #8-32 X 1/2, THP, SS		4	
7	32644	SCREW, #8-32 X 5/16, FHP, SS		2	



MANIFOLD ASSEMBLY						
ITEM	P/N	DESCRIPTION	GRILL SIZE			
			30"	36"	42"	
1	70311	MANIFOLD, 30" SG, WLDMT	1			
	70312	MANIFOLD, 36" SG, WLDMT		1		
	70313	MANIFOLD, 42" SG, WLDMT			1	
2	35065	VALVE, ELEC, MODULATING	3	4	4	
3	35147	FTNG, NIP, REDUC, 3/8 X 1/8 NFTP	3	4	4	
4	35146	FTNG, FLARED, STRAIGHT ADAP	3	4	4	
5	35222	FLEX HOSE, 1/4" X 7", SS, 45 DEG. FTF	2	3	3	
6	31795	FTNG, ELBOW 90 DEG. 1/4" TUBE, BRASS	3	4	4	
7	35296	FLEX HOSE, 1/4" X 20", SS, 45 DEG. FTF	1	1	1	
NATURAL GAS (NG)						
8	30781	REGULATOR, 4/11	1	1	1	
11	13010	ELBOW, PIPE, FEM X MALE, 1/2 NPT, 90	1	1	1	
12	13013	ORIFICE, #41	2	3	3	
13	13016	ORIFICE, #50	1	1	1	
LIQUID PROPANE (LP)						
9	13026	LP REGULATOR W/36" HOSE	1	1	1	
10	13054	ELBOW, 3/8" FLARE TO 1/2" FIP	1	1	1	
12	13018	ORIFICE, #52	2	3	3	
13	13021	ORIFICE, #57	1	1	1	