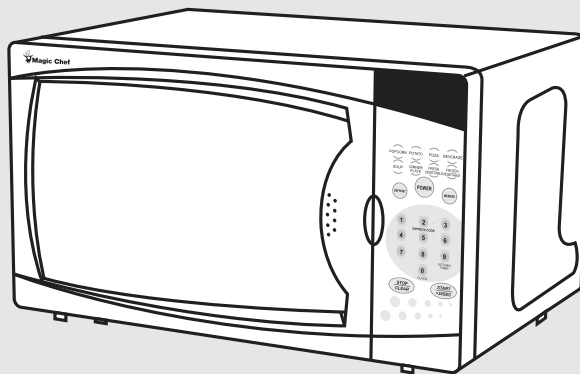




0.7 cu. ft. Microwave Oven

MCM770W/B

Instruction Manual



Before operating this oven, please read these instructions completely.

PRECAUTIONS TO AVOID POSSIBLE EXPOSURE TO EXCESSIVE MICROWAVE ENERGY

- (a) **Do not attempt to operate this oven with the door open** since open-door operation can result in harmful exposure to microwave energy. It is important not to defeat or tamper with the safety interlocks.
- (b) **Do not place any object** between the oven front face and the door or allow soil or cleaner residue to accumulate on sealing surfaces.
- (c) **Do not operate the oven if it is damaged.** It is particularly important that the oven door close properly and that there is no damage to the: (1) door (bent), (2) hinges and latches (broken or loosened), (3) door seals and sealing surfaces.
- (d) The oven should not be adjusted or repaired by anyone except properly qualified service personnel.

TABLE OF CONTENTS

- PRECAUTIONS TO AVOID POSSIBLE EXPOSURE TO EXCESSIVE MICROWAVE ENERGY.....1
- IMPORTANT SAFETY INSTRUCTIONS.....3
- FEDERAL COMMUNICATIONS COMMISSION
RADIO FREQUENCY INTERFERENCE STATEMENT.....4
- GROUNDING INSTRUCTIONS.....4
- INSTALLATION.....5
- SPECIFICATIONS.....6
- PARTS AND FEATURES.....7
 - TURNTABLE.....7
- MICROWAVE OVEN CONTROL.....7
 - DISPLAY.....7
 - START.....8
 - ADD 30 SECONDS.....8
 - EXPRESS COOK.....8
 - STOP/CLEAR.....8
 - CLOCK.....8
 - TONES.....8
 - KITCHEN TIMER.....8
 - CONTROL LOCK.....8
- MICROWAVE OVEN USE.....9
 - FOOD CHARACTERISTICS.....9
 - COOKING GUIDELINES.....9
 - COOKWARE AND DINNERWARE.....9
 - ALUMINUM FOIL AND METAL.....10
 - MICROWAVE COOKING POWER.....10
 - MANUAL COOKING.....11
 - COOKING IN STAGES.....11
 - DEFROST.....11
 - MEMORY.....12
 - POPCORN.....12
 - POTATO.....12
 - PIZZA.....12
 - BEVERAGE.....13
 - SOUP.....13
 - DINNER PLATE.....13
 - FRESH VEGETABLE,FROZEN VEGETABLE.....13
- CARE OF YOUR MICROWAVE OVEN.....14
- BEFORE YOU CALL FOR SERVICE.....15
- CARE AND CLEANING.....15
- QUESTIONS AND ANSWERS.....16
- USE YOUR MICROWAVE OVEN SAFELY.....17
- ARCING.....17
- MICROWAVE OVEN WARRANTY.....18

IMPORTANT SAFETY INSTRUCTIONS

When using electrical appliances, basic safety precautions should be followed, including the following:

WARNING-To reduce the risk of burns, electric shock, fire, injury to persons or exposure to excessive microwave energy:

1. Read all instructions before using the appliance.
2. Read and follow the specific "PRECAUTIONS TO AVOID POSSIBLE EXPOSURE TO EXCESSIVE MICROWAVE ENERGY" found on page 1.
3. This appliance must be grounded. Connect only to properly grounded outlet. See "GROUNDING INSTRUCTIONS" found on page 4.
4. Install or locate this appliance only in accordance with the provided installation instructions.
5. Some products such as whole eggs and sealed containers - for example, closed glass jars are able to explode and should not be heated in this oven.
6. Use this appliance only for its intended use as described in this manual. Do not use corrosive chemicals or vapors in this appliance. This type of oven is specifically designed to heat, cook, or dry food. It is not designed for industrial or laboratory use.
7. As with any appliance, close supervision is necessary when used by children.
8. Do not operate this appliance if it has a damaged cord or plug, if it is not working properly, or if it has been damaged or dropped.
9. This appliance should be serviced only by qualified service personnel.
Contact nearest authorized service facility for examination, repair or adjustment.
10. Do not cover or block any openings on the appliance.
11. Do not store this appliance outdoors. Do not use this product near water — for example, near a kitchen sink, in a wet basement, near a swimming pool, or similar locations.
12. Do not immerse cord or plug in water.
13. Keep cord away from heated surfaces.
14. Do not let cord hang over edge of table or counter.
15. When cleaning surfaces of door and oven that comes together on closing the door, use only mild, non-abrasive soaps or detergents applied with a sponge or soft cloth.
16. To reduce the risk of fire in the oven cavity:
 - a) Do not overcook food. Carefully attend appliance when paper, plastic, or other combustible materials are placed inside the oven to facilitate cooking.
 - b) Remove wire twist-ties from paper or plastic bags before placing bag in oven.
 - c) If materials inside the oven ignite, keep oven door closed, turn oven off, and disconnect the power cord, or shut off power at the fuse or circuit breaker panel.
 - d) Do not use the cavity for storage purposes. Do not leave paper products, cooking utensils, or food in the cavity when not in use.
17. Liquids, such as water, coffee, or tea are able to be overheated beyond the boiling point without appearing to be boiling due to surface tension of the liquid. Visible bubbling or boiling when the container is removed from the microwave oven is not always present. **THIS COULD RESULT IN VERY HOT LIQUIDS SUDDENLY BOILING OVER WHEN A SPOON OR OTHER UTENSIL IS INSERTED INTO THE LIQUID.**

To reduce the risk of injury to persons:

 - a) Do not overheat the liquid.
 - b) Stir the liquid both before and halfway through heating it.
 - c) Do not use straight-sided containers with narrow necks.
 - d) After heating, allow the container to stand in the microwave oven for a short time before removing the container.
 - e) Use extreme care when inserting a spoon or other utensil into the container.
18. Do not use this microwave oven to heat corrosive chemicals (for example, sulfides and chlorides). Vapors from such corrosive chemicals may interact with the contact and springs of the safety interlock switches thereby rendering them inoperable.
19. Keep the waveguide cover clean at all times. Wipe the oven interior with a soft damp cloth after each use. If you leave grease or fat anywhere in the cavity it may overheat, smoke or even catch fire when next using the oven.
20. Never heat oil or fat for deep frying as you cannot control the temperature and doing so may lead to overheating and fire.
21. Do not operate the oven without the glass tray in place. Be sure it is properly sitting on the rotating base.

SAVE THESE INSTRUCTIONS

FEDERAL COMMUNICATIONS COMMISSION RADIO FREQUENCY INTERFERENCE STATEMENT

WARNING:

This equipment generates and uses ISM frequency energy and if not installed and used properly, that is in strict accordance with the manufacturer's instructions, may cause interference to radio and television reception.

It has been type-tested and found to comply with limits for an ISM Equipment pursuant to part 18 of FCC Rules, which are designed to provide reasonable protection against such interference in a residential installation.

However, there is no guarantee that interference will not occur in a particular installation.

If this equipment does cause interference to radio or television reception, which can be determined by turning the equipment off and on, the user is encouraged to try to correct the interference by one or more of the followings.

- Reorient the receiving antenna of radio or television.
- Relocate the Microwave oven with respect to the receiver.
- Move the microwave oven away from the receiver.
- Plug the microwave oven into a different outlet so that microwave oven and receiver are on different branch circuits.

THE MANUFACTURER is not responsible for any radio or TV interference caused by UNAUTHORIZED MODIFICATION to this microwave oven. It is the responsibility of the user to correct such interference.

GROUNDING INSTRUCTIONS

This appliance must be grounded. In the event of an electrical short circuit, the grounding plug reduces the risk of electric shock by providing an escape wire for electric current. This appliance is equipped with a cord having a grounding wire with a grounding plug. The plug must be plugged into an outlet that is properly installed and grounded.

WARNING:

Improper use of the grounding can result in a risk of electric shock.

Consult a qualified electrician or serviceman if the grounding instructions are not completely understood, or if doubt exists as to whether the appliance is properly grounded, and either :

(1) If it is necessary to use an extension cord, use only a 3-wire extension cord that has a 3-blade grounding plug, and a 3-slot receptacle that will accept the plug on the appliance. The marked rating of the extension cord shall be equal to or greater than the electrical rating of the appliance.

or

(2) Do not use an extension cord, if the power supply cord is too short, have a qualified electrician or serviceman install an outlet near the appliance.

WARNING:

Do not cut or remove the third (ground) prong from the power cord under any circumstances.

INSTALLATION

1. Examine the oven after unpacking.

Check for damage such as a misaligned door, broken door or dent in the cavity.
If any damage is visible, DO NOT INSTALL, and notify your dealer immediately.

2. Level, flat location.

Install the microwave oven on a level, flat surface.

3. Ventilation.

Do not block air vents. If they are blocked during operation, the oven may overheat and eventually cause a failure.

For proper ventilation, allow 4 inches (10.16 cm) of space between oven top, sides, rear and adjacent surfaces.

4. Away from radio and TV sets.

Poor television reception and radio interference may result if the oven is located close to a TV, radio, antenna, feeder, etc.

Place the oven as far from them as possible.

5. Away from heating appliances and water taps.

Keep the oven away from heat, steam or splashing liquids. These things can adversely affect oven wiring and contacts.

6. Power supply.

- Check your local power source.

This microwave oven requires a current of approximately 12 amperes, 120Volts, 60Hz grounded outlet.

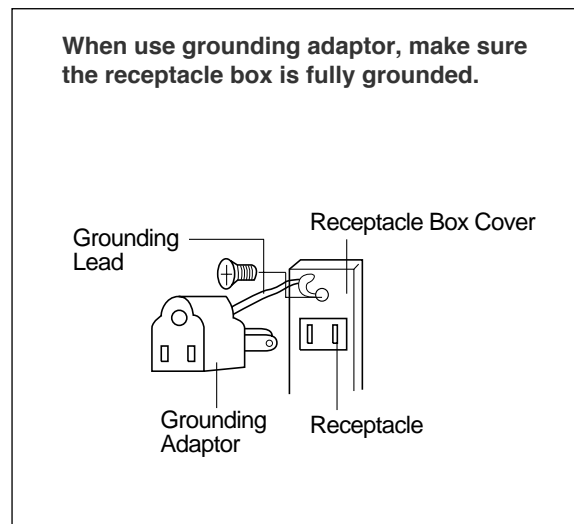
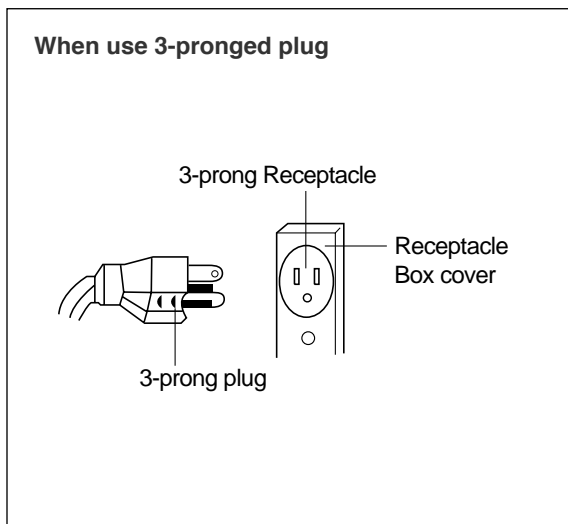
1. A short power-supply cord is provided to reduce the risks resulting from becoming entangled in or tripping over a longer cord.

2. Longer cord sets or extension cords are available and may be used if care is exercised in their use.

3. If a long cord or extension cord is used:

- The marked electrical rating of the cord set or extension cord should be at least as great as the electrical rating of the appliance.
- The extension cord must be a grounding type 3-wire cord.
- The longer cord should be arranged so that it will not drape over the counter top or tabletop where it can be pulled on by children or tripped over unintentionally.

7. The minimum height of free space necessary above the top surface of the oven is about 4 inches (10.16 cm).

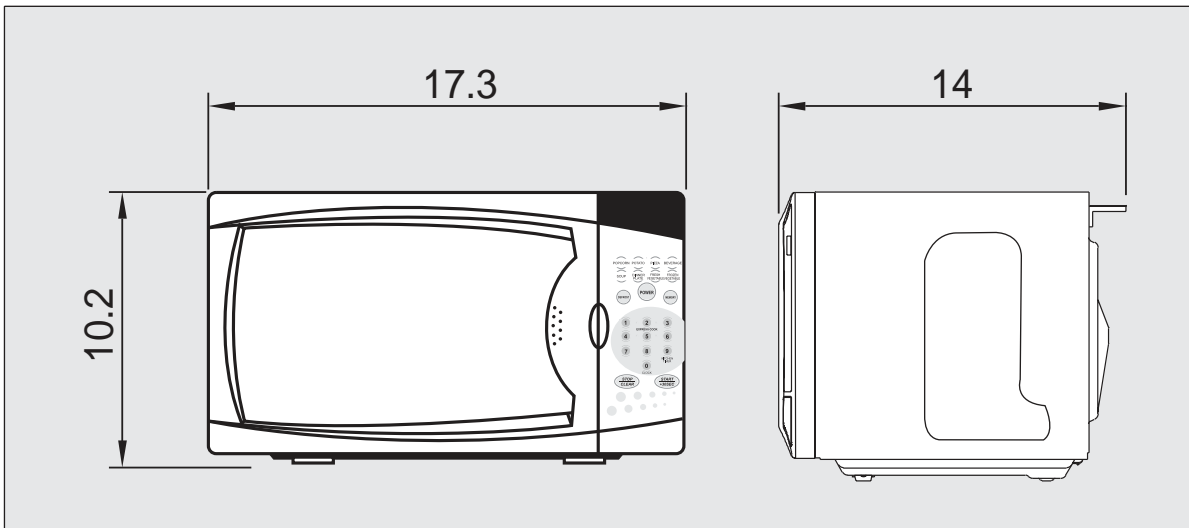


“THE CANADIAN ELECTRICAL CODE DOES NOT ALLOW THE USE OF THE GROUNDING ADAPTOR”

SPECIFICATIONS

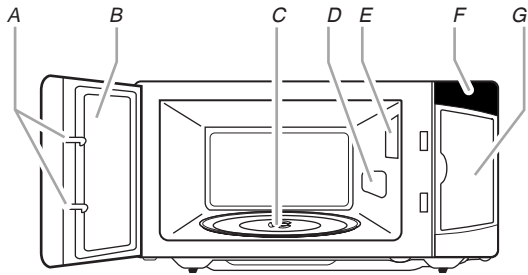
POWER SUPPLY		120V AC, 60Hz SINGLE PHASE WITH GROUNDING
MICROWAVE	INPUT POWER	1050 W
	ENERGY OUTPUT	700 W
	FREQUENCY	2,450MHz
OUTSIDE DIMENSIONS (W x H x D)		440x258.5x355 mm (17.3x10.2x14.0 in)
CAVITY DIMENSIONS (W x H x D)		306x307.1x208.2 mm (12.0x12.1x8.2 in)
CAVITY VOLUME		0.7 cu.ft
NET WEIGHT		APPROX. 21.6 lbs.
TIMER		99 min. 99 sec.
POWER LEVELS		10 Levels

* Specifications are subject to change without notice.



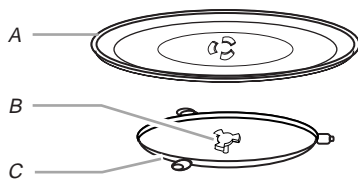
PARTS AND FEATURES

This manual may cover several different models. The model you have purchased may have some or all of the features shown here. The appearance of your particular model may differ slightly from the illustrations in this manual.



- | | |
|--------------------------|--------------------------|
| A. Door lock system | D. Microwave inlet cover |
| B. Metal shielded window | E. Microwave oven light |
| C. Glass turntable | F. Display |
| | G. Control panel |

Turntable



- A. Turntable
- B. Hub
- C. Roller Guide

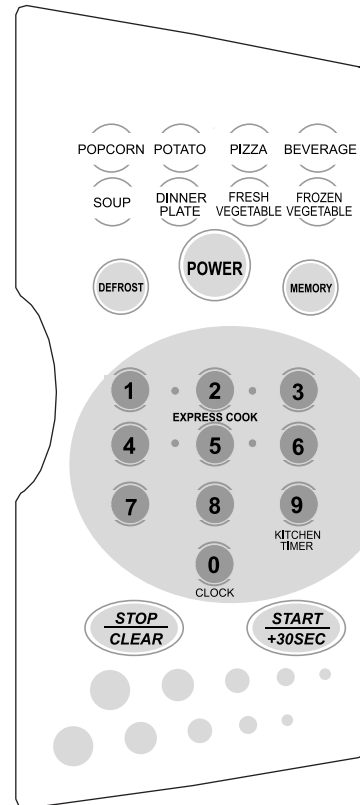
The turntable can rotate in either direction to help cook food more evenly. For best cooking results, do not operate the microwave oven without having the turntable in place. See "Assistance or Service" to reorder any of the parts.

To Install:

1. Install the hub into the hole in the center of the microwave oven cavity bottom
2. Place the support on the microwave oven cavity bottom.
3. Place the turntable on the support.

Fit the raised, curved mounds in the center of the turntable bottom between the three spokes of the hub.

MICROWAVE OVEN CONTROL



Display

When power is first supplied to the microwave oven, "0:00" will appear in the display. If the "0:00" appears in the display at any other time, a power failure has occurred. Reset the clock if needed. See "Clock" section. When the microwave oven is in use, the display shows cook time remaining. When the microwave oven is not in use, the display shows the time of day (if the clock is set) or Timer countdown.

Start

The START control (START/+30SEC pad) begins any function. If cooking is interrupted by touching STOP/CLEAR or by opening the door, touching START/+30SEC will resume the cycle.

Add 30 Seconds

The +30SEC control (START/+30SEC) automatically starts the microwave oven at 100% power for 30 seconds, and adds 30 seconds of cook time with each additional touch of the control.

Time may be added to any cooking cycle in 30-second increments by touching START/+30SEC during cooking.

Express Cook

Each of the EXPRESS COOK controls (number pads 1-6) automatically starts the microwave oven at 100% power for 1 minute, 2 minutes, 3 minutes, 4 minutes, 5 minutes or 6 minutes, depending on which pad is touched.

Stop/Clear

The STOP/CLEAR control clears any incorrect command, and pauses and/or cancels any program during cooking. It will not erase the time of day. A cooking program may be paused by touching STOP/CLEAR once or by opening the door. The cycle may be resumed by touching START/+30SEC. A cooking program may be canceled by touching STOP/CLEAR twice, or by opening the door and then touching STOP/CLEAR.

The STOP/CLEAR control is also used to lock and unlock the control panel. See "Control Lock" section.

Clock

This is a standard 12-hour clock (12:00-11:59). If the clock is not set, "0:00" will remain in the display. When the clock is set, the ":" will flash. During cooking, the clock may be seen for 3 seconds by touching CLOCK.

To Set:

The microwave oven must be in standby mode (no functions operating).

1. Touch CLOCK control (number pad 0).
"00:00" will appear in the display, with the first "0" flashing.
 2. Enter current time, filling all four digits from left to right. The first digit can be only "1" or "0."
 3. Touch START/+30SEC.
-

Tones

Tones are audible signals that indicate the following:

One tone

1. Valid entry (short tone)
2. End of stage in multistage cooking
3. Control lock activated or deactivated (long tone)

Five tones

1. End of cycle
 2. End of Kitchen Timer countdown
-

Kitchen Timer

The Kitchen Timer can be set in minutes and seconds, up to 99 minutes, 99 seconds, and counts down the set time. The Kitchen Timer may not be used while any other function is operating.

NOTE: The Kitchen Timer does not start or stop the microwave oven.

To Set:

1. Touch KITCHEN TIMER control (number 9 pad).
"00:00" will appear in the display, with the first "0" flashing.
 2. Enter desired time in minutes and seconds, filling all four digits from left to right. Example: 1-0-0-0 for 10 minutes, or 0-5-0-0 for 5 minutes.
 3. Touch START/+30SEC.
When the set time ends, end-of-timer tones will sound, and the display will return to the time of day.
 4. Touch STOP/CLEAR at any time during the countdown to cancel the Kitchen Timer.
-

Control Lock

The Control Lock shuts down the control panel pads to avoid unintended use of the microwave oven.

To Lock/Unlock Control: The microwave oven must be in standby mode. Touch and hold STOP/CLEAR for 3 seconds until one long tone sounds and the display clears to show an outline of the display area. Repeat to unlock control, and return the display to the time of day. If any pad is touched while the control is locked, there will be no response from the microwave oven.

MICROWAVE OVEN USE

A magnetron in the microwave oven produces micro-waves which reflect off the metal floor, walls and ceiling and pass through the turntable and appropriate cookware to the food. Microwaves are attracted to and absorbed by fat, sugar and water molecules in the food, causing them to move, producing friction and heat which cooks the food.

1. To avoid damage to the microwave oven, do not lean on or allow children to swing on the microwave oven door.
2. To avoid damage to the microwave oven, do not operate when it is empty.
3. Baby bottles and baby food jars should not be heated in microwave oven.
4. Clothes, flowers, fruit, herbs, wood, gourds, paper, including brown paper bags and newspaper, should not be dried in microwave oven.
5. Paraffin wax will not melt in the microwave oven because it does not absorb microwaves.
6. Use oven mitts or pot holders when removing containers from microwave oven.
7. Do not overcook potatoes. At the end of the recommended cook time, potatoes should be slightly firm. Let potatoes stand for 5 minutes. They will finish cooking while standing.
8. Do not cook or reheat whole eggs inside the shell. Steam buildup in whole eggs may cause them to burst, requiring significant cleanup of microwave oven cavity. Cover poached eggs and allow a standing time.

Food Characteristics

When microwave cooking, the amount, size and shape, starting temperature, composition and density of the food affect cooking results.

Amount of Food

The more food heated at once, the longer the cook time needed. Check for doneness and add small increments of time if necessary.

Size and Shape

Smaller pieces of food will cook more quickly than larger pieces, and uniformly shaped foods cook more evenly than irregularly shaped food.

Starting Temperature

Room temperature foods will heat faster than refrigerated foods, and refrigerated foods will heat faster than frozen foods.

Composition and Density

Foods high in fat and sugar will reach a higher temperature, and will heat faster than other foods. Heavy, dense foods, such as meat and potatoes, require a longer cook time than the same size of a light, porous food, such as cake.

Cooking Guidelines

Covering

Covering food helps retain moisture, shorten cook time and reduce spattering. Use the lid supplied with cookware. If a lid is not available, wax paper, paper towels or plastic wrap approved for microwave ovens may be used. Plastic wrap should be turned back at one corner to provide an opening to vent steam. Condensation on the door and cavity surfaces is normal during heavy cooking.

Stirring and Turning

Stirring and turning redistribute heat evenly to avoid over-cooking the outer edges of food. Stir from outside to center. If possible, turn food over from bottom to top.

Arranging

If heating irregularly shaped or different sized foods, arrange the thinner parts and smaller sized items toward the center. If cooking several items of the same size and shape, place them in a ring pattern, leaving the center of the ring empty.

Piercing

Before heating, use a fork or small knife to pierce or prick foods that have a skin or membrane, such as potatoes, egg yolks, chicken livers, hot dogs, and sausage. Prick in several places to allow steam to vent.

Shielding

Use small, flat pieces of aluminum foil to shield the thin pieces of irregularly shaped foods, bones and foods such as chicken wings, leg tips and fish tail. See "Aluminum Foil and Metal" first.

Standing Time

Food will continue to cook by the natural conduction of heat even after the microwave cooking cycle ends. The length of standing time depends on the volume and density of the food.

Cookware and Dinnerware

Cookware and dinnerware must fit on the turntable. Always use oven mitts or pot holders when handling because any dish may become hot from heat transferred from the food. Do not use cookware and dinnerware with gold or silver trim. Use the following chart as a guide, then test before using.

MATERIAL	RECOMMENDATIONS
Aluminum Foil, Metal	See "Aluminum Foil and Metal" section.
Browning Dish	Bottom must be at least 3/16" (5 mm) above the turntable. Follow manufacturer's recommendations.
Ceramic Glass, Glass	Acceptable for use.

MATERIAL	RECOMMzS
China, Earthenware	Follow manufacturer's recommendations.
Melamine	Follow manufacturer's recommendations.
Paper:Towels, Dinnerware, Napkins	Use nonrecycled and those approved by the manufacturer for microwave oven use.
Plastic:Wraps, Bags, Covers, Dinnerware, Containers	Use those approved by the manufacturer for microwave oven use.
Pottery and Clay	Follow manufacturer's recommendations.
Silicone Bakeware	Follow manufacturer's recommendations.
Straw, Wicker, Wooden Containers	Do not use in microwave oven.
Wax Paper	Acceptable for use.

To Test Cookware or Dinnerware for Microwave Use:

1. Place cookware or dinnerware in microwave oven with 1 cup (250 mL) of water beside it.
 2. Cook at 100% cooking power for 1 minute.
- Do not use cookware or dinnerware if it becomes hot and the water stays cool.

Aluminum Foil and Metal

Always use oven mitts or pot holders when removing dishes from the microwave oven. Aluminum foil and some metal can be used in the microwave oven. If not used properly, arcing (a blue flash of light) can occur and cause damage to the microwave oven.

OK for Use

Racks and bakeware supplied with the microwave oven (on some models), aluminum foil for shielding, and approved meat thermometers may be used with the following guidelines:

1. To avoid damage to the microwave oven, do not allow aluminum foil or metal to touch the inside cavity walls, ceiling or floor.
2. Always use the turntable.
3. To avoid damage to the microwave oven, do not allow contact with another metal object during microwave cooking.

Do Not Use

Metal cookware and bakeware, gold, silver, pewter, non-approved meat thermometers, skewers, twist ties, foil liners such as sandwich wrappers, staples and objects with gold or silver trim or a metallic glaze should not be used in the microwave oven.

Microwave Cooking Power

Many recipes for microwave cooking specify which cooking power to use by percent, name or number. For example, 70% = 7 = Medium-High.

Use the following chart as a general guide for the suggested cooking power of specific foods.

PERCENT/NAME	NUMBER	USE
100%, High (default setting)	10	Quick heating convenience foods and foods with high water content, such as soups, beverages and most vegetables.
90%	9	Cooking small, tender pieces of meat, ground meat, poultry pieces and fish fillets. Heating cream soups.
80%	8	Heating rice, pasta or stirrable casseroles. Cooking and heating foods that need a cook power lower than high. For example, whole fish and meat loaf.
70%, Medium-High	7	Reheating a single serving of food.
60%	6	Cooking sensitive foods such as cheese and egg dishes, pudding and custards. Cooking non-stirrable casseroles, such as lasagna.
50%, Medium	5	Cooking ham, whole poultry and pot roasts. Simmering stews.
40%	4	Melting chocolate. Heating bread, rolls and pastries.
30%, Medium-Low, Defrost	3	Defrosting bread, fish, meats, poultry and precooked foods.
20%	2	Softening butter, cheese, and ice cream.
10%, Low	1	Taking chill out of fruit.

Manual Cooking

To Use:

1. Place food on the turntable and close the door.
2. Touch POWER. "PL10" will appear briefly in the display.
If cooking with a power other than 100%, touch POWER repeatedly to scroll through the power levels from highest to lowest. See "Microwave Cooking Power" chart.
3. Enter length of time to cook.
4. Touch START/+30SEC.
The display will count down the set cook time. When the cycle ends, the end-of-cycle tones will sound, and the display will return to the time of day.
5. Touch STOP/CLEAR at any time during the countdown to pause or cancel cooking.

Cooking in Stages

The microwave oven can be set to cook at different cooking powers for various lengths of time, up to 2 stages. One of the stages may be an automatic Defrost by weight function (see "Defrost" section), which will be the first stage.

To Cook in Stages:

1. Place food on the turntable and close the door.
2. Touch POWER. "PL10" will appear briefly in the display.
If cooking with a power other than 100%, touch POWER repeatedly to scroll through the power levels from highest to lowest. See "Microwave Cooking Power" chart.
3. Enter length of time to cook for first stage.
4. Touch POWER repeatedly until the desired power level for the second stage is displayed.
5. Enter length of time to cook for second stage.
6. Touch START/+30SEC.
The display will count down the set cook time for each stage, and a short tone will sound at the end of the first stage.
The power level may be seen for 3 seconds by touching POWER during the cycling stage.
When the cycle ends, the end-of-cycle tones will sound, and the display will return to the time of day.
7. Touch STOP/CLEAR at any time during the countdown to pause or cancel cooking.

Cook time may be added in 30-second increments during the cycling stage by touching START/+30SEC control.

To Use Defrost As First Stage: Touch Defrost once. "dEF1" appears in the display. Enter the number of ounces between 4 and 100 ounces (see "Defrost" section), then follow steps 4-7 above for second stage programming.

Defrost

The Defrost feature has two functions: dEF1, which is an automatic defrost by weight, and dEF2, which is a manual defrost by time. The default power level is 30%, and cannot be adjusted.

1. Unwrap foods and remove lids (for example, from fruit juice containers) before defrosting.
2. Shallow packages will defrost more quickly than deep blocks.

3. Separate food pieces as soon as possible during or at the end of the cycle for more even defrosting.
4. Use small pieces of aluminum foil to shield parts of food such as chicken wings, leg tips and fish tails. See "Aluminum Foil and Metal" first.

The Defrost feature should not be used for food that has been left outside the freezer for more than 20 minutes, or for frozen ready-made food. Use the following chart as a guide.

MEAT

Beef: ground, steaks, roast, stew	The narrow or fatty areas of irregular shaped cuts should be shielded with foil before defrosting.
Lamb: stew and chops	
Pork: chops, ribs, roasts, sausage	Do not defrost less than 1/4 lb (113 g) or two 4 oz (113 g) patties. Place all meats in microwave-safe baking dish. Do not cover.

POULTRY

Chicken: whole and cut up	Place in microwave-safe baking dish, chicken breast side up. Do not cover.
Cornish hens	
Turkey: breast	

FISH

<i>Fillets, Steaks, Whole Shellfish</i>	Place in microwave-safe baking dish. Do not cover.
---	--

To Defrost by Weight:

1. Place food, uncovered, on the turntable and close the door.
2. Touch DEFROST. "dEF1" will appear in the display.
3. Enter the weight in ounces, from 4 to 100.
If an invalid value is entered, the microwave oven will not start.
4. Touch START/+30SEC.
The display will count down the defrost time. When the cycle ends, the end-of-cycle tones will sound, and the display will return to the time of day.
5. Touch STOP/CLEAR at any time during the countdown to pause or cancel cooking.

To Defrost by Time:

1. Place food, uncovered, on the turntable and close the door.
2. Touch DEFROST twice. "dEF2" will appear in the display.
3. Enter the desired time for defrosting.
4. Touch START/+30SEC.
The display will count down the defrost time. When the cycle ends, the end-of-cycle tones will sound, and the display will return to the time of day.
5. Touch STOP/CLEAR at any time during the countdown to pause or cancel cooking.

Memory

The Memory feature can store up to 3 unique cooking programs. The Auto Menu functions cannot be programmed as a memory function.

To Set Memory:

1. Touch MEMORY control. "1" will appear in the display for the first memory program.
2. Set the program, following the instructions in "Manual Cooking" or "Cooking in Stages."
3. Touch MEMORY. A valid entry tone will sound, indicating that the program has been accepted to memory.
or
Touch START/+30SEC. The program will immediately start, and it will be saved to memory

To Set Second and Third Memory Programs: Touch MEMORY twice or three times, then follow steps 2 and 3 above.

To Use Memory:

1. Place food on the turntable and close the door.
2. Touch MEMORY repeatedly until the desired program number is displayed.
3. Touch START/+30SEC.
The display will count down the program cook time. When the cycle ends, the end-of-cycle tones will sound, and the display will return to the time of day.
4. Touch STOP/CLEAR at any time during the countdown to pause or cancel cooking.

Popcorn

PAD	TOUCH	DISPLAY	SERVING SIZE
POPCORN	Once	1.75	1.75 oz (50 g)
	2 times	3.0	3.0 oz (85 g)
	3 times	3.5	3.5 oz (99 g)

NOTE: During Popcorn function, as with all microwave cooking functions, the microwave oven should be attended at all times. Listen for popping to slow to 1 pop every 1 or 2 seconds, then stop the cycle.

1. To avoid damage to the microwave oven, do not use regular paper bags or glassware.
2. Pop only one package of popcorn at a time.
3. Follow manufacturer's instructions when using a microwave popcorn popper.
4. For best cooking results, do not try to pop unpopped kernels.
5. Use fresh bags of popcorn for optimal results.
6. Cooking results may vary by brand and fat content. For bag sizes not listed in this section, follow directions on the package.

To Use POPCORN:

1. Place popcorn bag on the turntable, and close the door.
2. Touch POPCORN to select size (see chart).
3. Touch START/+30SEC.
The display will count down the popping time. When the cycle ends, the end-of-cycle tones will sound, and the display will return to the time of day.
4. Touch STOP/CLEAR at any time during the countdown to pause or cancel popping.

Potato

PAD	TOUCH	DISPLAY	SERVING SIZE
POTATO	Once	1	1, 8-oz (227g) potato
	2 times	2	2, 8-oz (227g) potatoes
	3 times	3	3, 8-oz (227g) potatoes

1. Pierce each potato several times with a fork before baking.
2. Place a single potato on the turntable, off to the side (not centered). Place 2 or 3 potatoes on the turntable around the edges, at least 1" (2.5 cm) apart.
3. Let potato(es) stand for 5 minutes after baking.

To Use POTATO:

1. Place potato(es) on the turntable and close the door.
2. Touch POTATO to select number of potatoes (see chart).
3. Touch START/+30SEC.
The display will count down the cook time.
When the cycle ends, the end-of-cycle tones will sound, and the display will return to the time of day.
4. Touch STOP/CLEAR at any time during the countdown to pause or cancel cooking.

Pizza

PAD	TOUCH	DISPLAY	SERVING SIZE
PIZZA	Once	1	1, 3-oz (85 g) slice
	2 times	2	2, 3-oz (85 g) slices
	3 times	3	3, 3-oz (85 g) slices

1. Place pizza slice(s) on a paper towel or paper plate.

To Use PIZZA:

1. Place pizza on the turntable, and close the door.
2. Touch PIZZA to select number of slices (see chart).
3. Touch START/+30SEC.
The display will count down the reheat time. When the cycle ends, the end-of-cycle tones will sound, and the display will return to the time of day.
4. Touch STOP/CLEAR at any time during the countdown to pause or cancel heating.

Beverage

PAD	TOUCH	DISPLAY	SERVING SIZE
BEVERAGE	Once	1	1, 8-oz (250 mL) cup
	2 times	2	2, 8-oz (250 mL) cups
	3 times	3	3, 8-oz (250 mL) cups

1. Do not cover.
2. The diameter of the cup's opening will affect how the liquid heats. Beverages in cups with smaller openings may heat faster.

To Use BEVERAGE:

1. Place cup(s) on the turntable, and close the door.
2. Touch BEVERAGE to select amount (see chart).
3. Touch START/+30SEC.
The display will count down the heat time.
When the cycle ends, the end-of-cycle tones will sound, and the display will return to the time of day.
4. Touch STOP/CLEAR at any time during the countdown to pause or cancel heating.

Soup

PAD	TOUCH	DISPLAY	SERVING SIZE
SOUP	Once	4.0	4.0 oz (113 g)
	2 times	8.0	8.0 oz (227 g)
	3 times	12.0	12.0 oz(340 g)
	4 times	16.0	16.0 oz(454 g)

1. Place in microwave-safe container.
2. Cover with plastic wrap and vent.
3. Stir and let stand 2-3minutes after cooking.

To Use SOUP:

1. Place container on the turntable and close the door
2. Touch SOUP to select amount(see chart).
3. Touch START/+30SEC.
The display will count down the cook time.
When the cycle ends, the end-of-cycle tones will sound, and the display will return to the time of day.
4. Touch STOP/CLEAR at any time during the countdown to pause or cancel cooking.

Dinner Plate

PAD	TOUCH	DISPLAY	SERVING SIZE
DINNER PLATE	Once	9.0	9.0 oz (255 g)
	2 times	12.0	12.0oz (340 g)
	3 times	18.0	18.0oz (510 g)

1. Place food on plate(s),cover with plasticwrap and vent.

To Use DINNER PLATE:

1. Place dinner plate on the turntable and close the door
2. Touch DINNER PLATE to select size(see chart).
3. Touch START/+30SEC.
The display will count down the cook time.
When the cycle ends, the end-of-cycle tones will sound, and the display will return to the time of day
4. Touch STOP/CLEAR at any time during the countdown to pause or cancel heating.

Fresh Vegetable, Frozen Vegetable

PAD	TOUCH	DISPLAY	SERVING SIZE
FRESH VEGETABLE	Once	4.0	4.0 oz (113 g)
	2 times	8.0	8.0 oz (227 g)
	3 times	16.0	16.0oz (454 g)
FROZEN VEGETABLE	Once	4.0	4.0 oz (113 g)
	2 times	8.0	8.0 oz (227 g)
	3 times	16.0	16.0oz (454 g)

1. Remove frozen vegetables from package.
2. Place in microwave-safe container.
3. Add water:
2 tbs (30mL) to 4.0 oz(113g) vegetables;
4 tbs (60 mL) to 8.0oz (227 g)vegetables;
1/3 cup (80mL) to 16.0 oz(454 g) vegetables.
4. Cover with plastic wrap and vent.
5. Stir and let stand 2-3 minutes after cooking.

To Use FRESH VEGETABLE/FROZEN VEGETABLE:

1. Place food on the turntable and close the door
2. Touch FRESH VEGETABLE or FROZEN VEGETABLE to select amount (see chart).
3. Touch START/+30SEC.
The display will count down the cook time.
When the cycle ends, the end-of-cycle tones will sound, and the display will return to the time of day
4. Touch STOP/CLEAR at any time during the countdown to pause or cancel cooking.

CARE OF YOUR MICROWAVE OVEN

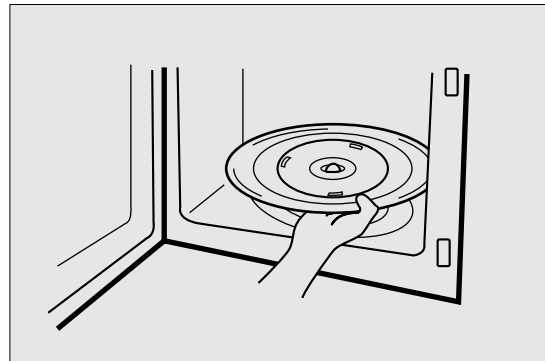
The oven should be cleaned regularly and any food deposits removed.

Failure to maintain the oven in a clean condition could lead to deterioration of the surface that could adversely affect the life of the appliance and possibly result in a hazardous situation.

- 1 Unplug the power cord before cleaning any part of this oven.
- 2 Keep the inside of the oven clean. When food spatters or spilled liquids adhere to oven walls, wipe with a damp cloth. Mild detergent may be used if the oven gets very dirty. The use of harsh detergent or abrasives is not recommended.
- 3 The outside oven surface should be cleaned with soap and water, rinsed and dried with a soft cloth. To prevent damage to the operating parts inside the oven, water should not be allowed to seep into the ventilation openings.
- 4 If the Control Panel becomes wet, clean with a soft, dry cloth. Do not use harsh detergents or abrasives on Control Panel.
- 5 If steam accumulates inside or around the outside of the oven door, wipe with a soft cloth. This may occur when the microwave oven is operated under high humidity conditions and in

no way indicates malfunction of the unit.

- 6 It is occasionally necessary to remove the glass tray for cleaning. Wash the tray in warm sudsy water or in a dishwasher.
- 7 The roller guide and oven cavity floor should be cleaned regularly to avoid excessive noise. Simply wipe the bottom surface of the oven with mild detergent water or window cleaner and dry.

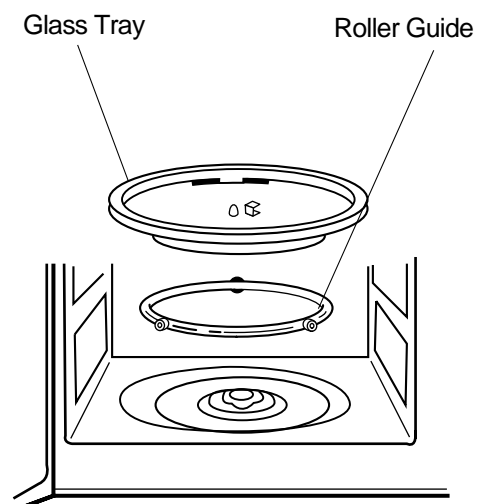


ROLLER GUIDE

- 1 The ROLLER GUIDE and oven floor should be cleaned frequently to prevent excessive noise.
- 2 The ROLLER GUIDE MUST ALWAYS be used for cooking together with the Glass Tray.

GLASS TRAY

- 1 DO NOT operate the oven without the Glass Tray in place.
- 2 DO NOT use any other Glass Tray with this oven.
- 3 If Glass Tray is hot, ALLOW TO COOL before cleaning or placing it in water.
- 4 DO NOT cook directly on the Glass Tray.



BEFORE YOU CALL FOR SERVICE

Refer to following checklist, you may prevent an unnecessary service call.

*** The oven doesn't work :**

1. Check that the power cord is securely plugged in.
2. Check that the door is firmly closed.
3. Check that the cooking time is set.
4. Check for a blown circuit fuse or tripped main circuit breaker in your house.

*** Sparking in the cavity;**

1. Check utensils. Metal containers or dishes with metal trim should not be used.
2. Check that metal skewers or foil does not touch the interior walls.

If there is still a problem, contact the service station. A list of these stations is included in the oven.

CARE AND CLEANING

Although your oven is provided with safety features, it is important to observe the following:

1. It is important not to defeat or tamper with safety interlocks.
 - i) Door(bent)
 - ii) Hinges and Hookes(broken or loosened)
 - iii) Door seals and sealing surfaces.
2. Do not place any object between the oven front face and the door or allow residue to accumulate on sealing surfaces. Wipe the sealing area frequently with a mild detergent, rinse and dry. Never use abrasive powders or pads.
3. When opened, the door must not be subjected to strain, for example, a child hanging on an opened door or any load could cause the oven to fall forward to cause injury and also damage to the door. Do not operate the oven if it is damaged, until it has been repaired by a competent service technician. It is particularly important that the oven closes properly and that there is no damage to the:
 4. The oven should not be adjusted or repaired by anyone except a properly competent service technician.
 5. The oven should be cleaned regularly and any food deposits removed;
 6. Failure to maintain the oven in a clean condition could lead to deterioration of the surface that could adversely affect the life of the appliance and possibly result in a hazardous situation.

QUESTIONS AND ANSWERS

*** Q : Can the oven be used with the glass tray or roller guide removed?**

A : No. Both the glass tray and roller guide must always be used in the oven before cooking.

*** Q : Can I open the door when the oven is operating?**

A : The door can be opened anytime during the cooking operation. Then microwave energy will be instantly switched off and the time setting will maintain until the door is closed.

*** Q : Why do I have moisture in my microwave oven after cooking?**

A : The moisture on the side of your microwave oven is normal. It is caused by steam from cooking food hitting the cool oven surface.

*** Q : Does microwave energy pass through the viewing screen in the door?**

A : No. The metal screen bounces back the energy to the oven cavity. The holes are made to allow light to pass through. They do not let microwave energy pass through.

*** Q : Why do eggs sometimes pop?**

A : When baking or poaching eggs, the yolk may pop due to steam build-up inside the yolk membrane. To prevent this, simply pierce the yolk with a toothpick before cooking. Never cook eggs without piercing their shells.

*** Q : Why this standing time recommended after the cooking operation has been completed?**

A : Standing time is very important. With microwave cooking, the heat is in the food, not in the oven. Many foods build up enough internal heat to allow the cooking process to continue, even after the food is removed from the oven. Standing time for joints of meat, large vegetables and cakes is to allow the inside to cook completely, without overcooking the outside.

*** Q : What does “standing time” mean?**

A : “Standing time” means that food should be removed from the oven and covered for additional time to allow it to finish cooking. This frees the oven for other cooking.

*** Q : Why does my oven not always cook as fast as the microwave cooking guide says?**

A : Check your cooking guide again, to make sure you've followed directions exactly ; and to see what might cause variations in cooking time. Cooking guide times and heat settings are suggestions, to help prevent over-cooking... the most common problem in getting used to a microwave oven. Variations in the size, shape and weights and dimensions could require longer cooking time. Use your own judgement along with the cooking guide suggestions to check whether the food has been properly cooked just as you would do with a conventional cooker.

*** Q : Will the microwave oven be damaged if it operates while empty?**

A : Yes. Never run it empty.

*** Q : Can I operate my microwave oven without the turntable or turn the turntable over to hold a large dish?**

A : No. If you remove or turn over the turntable, you will get poor cooking results. Dishes used in your oven must fit on the turntable.

*** Q : Is it normal for the turntable to turn in either direction?**

A : Yes. The turntable rotates clockwise or counterclockwise, depending on the rotation of the motor when the cooking cycle begins.

*** Q : Can I pop popcorn in my microwave oven? How do I get the best results?**

A : Yes. Pop packaged microwave popcorn following manufacture's guidelines. Do not use regular paper bags. Use the “listening test” by stopping the oven as soon as the popping slows to a “pop” every 1 or 2 seconds. Do not repop unpopped kernels. Do not pop popcorn in glass cookware.

USE YOUR MICROWAVE OVEN SAFELY

General Use

Do not attempt to defeat or tamper with safety interlocks.

Do not place any object between the oven front frame and the door or allow residue to build up on sealing surfaces. Wipe with a mild detergent, rinse and dry.

Never use abrasive powders or pads.

Do not subject the oven door to strain or weight such as a child hanging on an open door.

This could cause the oven to fall forward resulting in injury to you and damage to the oven.

Do not operate the oven if door seals or sealing surfaces are damaged; or if door is bent; or if hinges are loose or broken.

Do not operate the oven empty. This will damage the oven.

Do not attempt to dry clothes, newspapers or other materials in the oven. They may catch on fire.

Do not use recycled paper products as they may contain impurities which may cause sparks or fires.

Do not hit or strike the control panel with hard objects. This can damage the oven.

Food

Never use your microwave oven for home canning. The oven is not designed for proper home canning. Improperly canned food may spoil and be dangerous to consume.

Always use the minimum recipe cooking time. It is better to undercook rather than overcook foods.

Undercooked foods can be returned to the oven for more cooking. If food is overcooked, nothing can be done.

Heat small quantities of food or foods with low moisture carefully. These can quickly dry out, burn or catch on fire.

Do not heat eggs in the shell. Pressure may build up and eggs can explode.

Potatoes, apples, egg yolks and sausages are examples of food with non-porous skins.

These must be pierced before cooking to prevent bursting.

Do not attempt to deep fat fry in your microwave oven. Always allow a standing time of at least 20 seconds after the oven has been switched off to allow the

temperature to even out, stir during heating, if necessary, and ALWAYS stir after heating. To prevent eruptive boiling and possible scalding, you should put a spoon or glass stick into the beverages and stir before, during and after heating.

Do not leave the oven unattended while popping corn.

Do not pop corn in a paper bag unless it is the commercially prepared Microwave Popcorn product. The kernels can overheat and ignite a brown paper bag.

Do not put packaged Microwave Popcorn bags directly on the oven tray. Place the package on a microwave safe glass or ceramic plate to avoid overheating and cracking the oven tray.

Do not exceed the Microwave Popcorn manufacturers suggested popping time.

Longer popping does not yield more popcorn but it can result in burning the popcorn or risk of fire. Remember, the Popcorn bag and tray can be too hot to handle.

Remove with caution and use pot holders.

ARCING

*If you see arcing, touch the **STOP/CLEAR** pad and correct the problem.*

Arcing is the microwave term for sparks in the oven.

Arcing is caused by:

- Metal or foil touching the side of the oven.
- Foil not molded to food (upturned edges act like antennas).
- Metal, such as twist-ties, poultry pins, or gold rimmed dishes, in the microwave.
- Recycled paper towels containing small metal pieces being used in the microwave.



Microwave Oven Warranty

MC Appliance corp. warrants each new Microwave Oven to be free from defects in material and workmanship and agrees to remedy any such defect or to furnish a new part(s) (at the company's option) for any part(s) of the unit that has failed during the warranty period. Parts and labor expenses are covered on this unit for a period of one year after the date of purchase. In addition MC Appliance corp. warrants the Magnetron (parts only) to be free from defects in material and workmanship for a period of 8 years. The consumer is responsible for all labor and transportation expenses related to the diagnosis and replacement of the Magnetron after the initial one- year warranty expires. If in the event the unit requires replacement or refund under the terms of this warranty the consumer is responsible for all transportation expenses to return the unit to our factory prior to receiving a replacement unit or refund. **A copy of the dated sales receipt / invoice is required to receive warranty service, replacement or refund.**

This warranty covers appliances in use within the continental United States, Puerto Rico and Hawaii. The warranty does not cover the following:

- Damages due to shipping damage or improper installation.
- Damages due to misuse or abuse.
- Content losses due to failure of the unit.
- Repairs performed by unauthorized service agents.
- Service calls that do not involve defects in material and workmanship such as instruction on proper use of the product or improper installation.
- Replacement or resetting of house fuses or circuit breakers.
- Failure of this product if used for other than its intended purpose.
- Disposal costs of failed units not returned to our factory.
- Any delivery / installation costs incurred as the result of a unit that fails to perform as specified.

This warranty is in lieu of all warranties expressed or implied and no representative or person is authorized to assume for us any other liability in connection with the sale of this product. Under no circumstances is the consumer permitted to return this unit to the factory without prior written consent from MC Appliance corp.

Model	Parts	Labor	Magnetron (Part Only)	Type of Service
MCM770W/B	One-Year	One-Year	Eight Years	Carry In

**For Service or Assistance please call
888 775-0202**

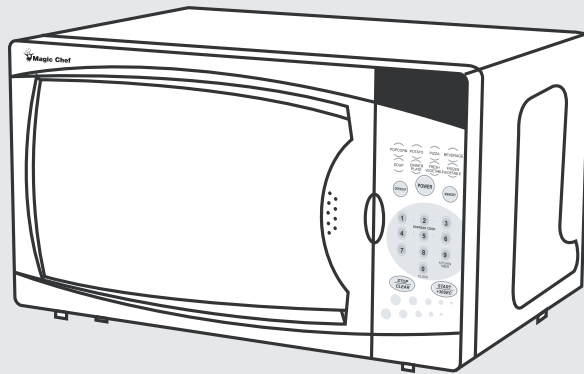
Or visit us on the web at www.mcappliance.com



Capacidad de 0.7 cu.ft Microondas

MCM770W/B

MANUAL DE INSTRUCCIONES



Antes de operar este horno, se recomienda que lea estas instrucciones.

PRECAUCIONES QUE DEBEN TENERSE PARA EVITAR QUEDAR EXPUESTO A LA ENERGIA DIRECTA DE LAS MICROONDAS

- (a) **No intente operar el horno con la puerta abierta**, ya que la operación en tal condición puede causarle un daño muy grave debido a la exposición directa con la energía de microondas. Es importante no obstruir los orificios de sujeción de los ganchos de seguridad de la puerta.
- (b) **No coloque ningún objeto entre la puerta y el gabinete**, tampoco permita la acumulación de grasa e impurezas en los orificios de sujeción de los seguros de la puerta.
- (c) **No opere el horno en caso de estar dañado**. Es de suma importancia que la puerta del horno cierre adecuadamente y que no esté floja, asimismo que las bisagras y los ganchos del seguro de la puerta no estén rotos, retorcidos o flojos. Si así fuese, acuda al centro de servicio autorizado.
- (d) **El horno deberá repararse únicamente por el personal técnico capacitado**.

TABLA DE CONTENIDOS

● PRECAUCIONES.....	1
● INSTRUCCIONES IMPORTANTES DE SEGURIDAD	3
● DECLARACION SOBRE INTERFERENCIA DE RADIOFRECUENCIAS DE LA COMISION FEDERAL DE COMUNICACIONES	4
● INSTRUCCIONES DE CONEXION A TIERRA	4
● INSTALACION	5
● ESPECIFICACIONES	6
● PARTES Y CARACTERÍSTICAS.....	7
PLATO GIRATORIO	7
● CONTROL DE HORNO DE MICROONDAS.....	7
VISOR.....	7
INICIO.....	8
AGREGAR 30 SEGUNDOS.....	8
COCCION EXPRESS.....	8
DETENER/BORRAR.....	8
RELOJ.....	8
TONOS.....	8
TEMPORIZADOR DE LA COCINA.....	8
BLOQUER EL PANEL DE CONTROLES.....	8
● USO DEL HORNO DE MICROONDAS.....	9
CARACTERISTICAS DE LOS ALIMENTOS.....	9
PAUTAS PARA LA COCCION.....	9
VAJILLA PARA CONCINAR Y PARA SERVIR.....	9
PAPEL DE ALUMINIO Y METAL.....	10
POTENCIA PARA COCINAR EN EL HORNO DE MICROONDAS.....	10
COCCION MANUAL.....	11
COCCION EN ETAPAS.....	11
DESCONGELAR.....	11
MEMORIA.....	12
PALOMITAS DE MAIZ.....	12
PATATAS.....	12
PIZZA.....	12
BEBIDAS.....	13
SOPA.....	13
BANDEJA DE CENA PREPARADA.....	13
VEGETALES FRESCOS, VEGETALES CONGELADOS.....	13
● MANTENIMIENTO Y CUIDADO DE SU HORNO.....	14
● ANTES DE LLAMAR AL SERVICIO TECNICO.....	15
● CUIDADO Y LIMPIEZA.....	15
● PREGUNTAS Y RESPUESTAS.....	16
● USAR SU HORNO DE MICROONDAS CON SEGUIDAD.....	17
● ARCING.....	17
● GARANTIA DEL HORNO DE MICROONDAS.....	18

INSTRUCCIONES IMPORTANTES DE SEGURIDAD

Cuando se usan equipos eléctricos deben seguirse ciertas reglas básicas de seguridad, incluyendo lo siguiente:

ADVERTENCIA - Para reducir el riesgo de quemaduras, electrocución, incendio, daños a personas o exposición excesiva a la energía de microondas:

1. Lea todas las Instrucciones antes de usar el equipo.
2. Lea y siga las recomendaciones en:
"PRECAUCIONES QUE DEBEN TENERSE PARA EVITAR QUEDAR EXPUESTO A LA EXCESIVA ENERGIA DE MICROONDAS" señalado en la pág. 1.
3. Este equipo debe tener una conexión de tierra, lea las "INSTRUCCIONES DE CONEXION A TIERRA", encontradas en la pág. 4.
4. Instale o coloque este aparato de acuerdo únicamente con las instrucciones de instalación proporcionadas.
5. Algunos productos los huevos tal como enteros y selló contenedores-Por ejemplo, cerró vidrio los frascos son capaz de estallar y no debe ser calentado en este horno.
6. Utilice este equipo sólo para el propósito por el cual fue diseñado, especificado en este manual. No use químicos corrosivos en este equipo. Este tipo de horno ha sido diseñado exclusivamente para calentar, cocinar o descongelar alimentos. No esta diseñado para uso industrial o de laboratorio.
7. Como con cualquier aplicación, la supervisión cercana es necesaria cuando es utilizada por los niños.
8. No use el horno si tiene dañado el cable de alimentación o clavija, si funciona de manera inapropiada o si ha sufrido alguna caída.
9. Este equipo debe ser revisado solamente por un personal cualificado de servicio. Contacta un facilidad de servicio el más cercano para examinar, reparar o ajustar.
10. No cubra o bloquee ninguna salida de ventilación del equipo.
11. No almacene este aparato fuera. No utilice este producto cerca de agua- Por ejemplo, cerca de un lavaplatos, en un sótano mojado, o cerca de un estanque, o las ubicaciones semejantes.
12. No sumerja en agua el cable de alimentación o clavija.
13. Mantenga el cable de alimentación alejado de superficies calientes.
14. No deje el cable de alimentación colgado sobre el borde de la mesa o mostrador.
15. Cuando se limpien las superficies que entran en contacto al cerrar la puerta, use jabones o detergentes suaves aplicados con esponja o paño suave.
16. Para reducir el riesgo de fuego dentro del horno:
 - a) no recuece alimento. Asista detenidamente aparato cuando papel, el plástico, u otras materias combustibles se colocan dentro del horno para facilitar la cocina.
 - b) Quite las ataduras de alambre de las bolsas de plástico o papel antes de introducir las en el horno.
 - c) Si las materias dentro del horno encienden, mantengan puerta de horno cerró, apaga horno, y desconecta la cuerda del poder, o apagó el poder en el fufse o entrepaño de cachón de circuito.
 - d) No utilice el horno para almacenar, no deje productos de papel, utensilios de cocina o comida en el interior del horno cuando éste se encuentre sin operar.
17. Los líquidos, tal como agua, el café, o el té son capaces de ser recalentado bevond el punto hirviendo sin aparecer para estar heviéndose debido surgir la tensión del líquido. Burbujear o hervir visibles cuando el contenedor se quita del horno de la microhonda no es siempre el presente. ESTO PODRIA TENER COMO RESULTADO LIQUIDOS MUY CALIENTES REPENTINAMENTE HERVIR SOBRE CUANDO UNA CUCHARA U OTRO UTIL se METEN EN EL LIQUIDO. Para reducir el riesgo de inlury a personas:
 - a) No recaliente el líquido.
 - b) Bata el líquido antes de y medio por la calefacciónlo.
 - c) No utilice directamente contenedores de lados con cuellos estrechos.
 - d) El horno de la microhonda por un tiempo corto antes de quitar el contenedor.
 - e) Utilice el cuidado extremo cuando meter una cuchara u otro útil en el contenedor.
18. No use esta microondas para calentar químicos corrosivos (por ejemplo sulfatos o cloratos.) Los vapores de tales corrosivos pueden reaccionar con los contactos y los muelles del interruptor de seguridad resultado inutilizar.
19. Mantenga limpia la cubierta de la salida de microondas. Limpie el interior del horno con un trapo suave después de usarlo. Si usted deja grasa en cualquier parte de el interior del horno, ésta podría sobrecalentarse, humeando o atrapar fuego cuando el horno sea utilizado nuevamente.
20. Nunca caliente aceite o grasa para freír en el horno ya que usted no puede hacerlo y estar controlando la temperatura, estas pueden sobrecalentarse y provocar fuego.
21. No funcione el horno sin la bandeja de cristal en lugar. Sea seguro que se está sentando correctamente en la base que rota.

CONSERVE ESTE MANUAL DE INSTRUCCIONES

DECLARACION SOBRE INTERFERENCIA DE RADIOFRECUENCIAS DE LA COMISION FEDERAL DE COMUNICACIONES

ADVERTENCIA:

Este equipo genera y utiliza energía de frecuencia ISM, por lo que si no es instalado y utilizado apropiadamente, conforme a las instrucciones del fabricante, podría causar interferencia en la recepción de la radio y televisión.

Este producto ha sido clasificado y probado; encontrándose que satisface los términos para un equipo ISM, según la sección 18 del reglamento FCC, que está planteada para ofrecer protección apropiada contra aquella interferencia en instalaciones residenciales.

No obstante, no se garantiza que la interferencia no llegue a ocurrir en alguna instalación en particular. Si este equipo ocasiona interferencia en la recepción de radio o televisión, la cual puede suceder al momento de encender o apagar el equipo, entonces será preciso que el usuario intente corregir dicha interferencia mediante alguna de las siguientes indicaciones:

- Reoriente la antena de recepción de radio o televisión.
- Reubique el horno de microondas con respecto al receptor.
- Aleje el horno de microondas del equipo receptor.
- Conecte el horno de microondas en una toma de corriente diferente, de forma que el horno de microondas y el receptor se alimenten de distintos circuitos eléctricos.

EL FABRICANTE no es responsable por cualquier interferencia de radio o TV causada por una MODIFICACION NO AUTORIZADA al horno de microondas. Es responsabilidad del usuario corregir dicha interferencia.

INSTRUCCIONES DE CONEXION A TIERRA

Este equipo debe de estar conectado a tierra; ya que en caso de un corto circuito, el cable a tierra reduce el riesgo de sufrir una descarga eléctrica al proporcionar una trayectoria de escape a la corriente eléctrica. Por lo tanto este aparato está equipado con una clavija polarizada que contiene una terminal para la conexión a tierra, la cual debe de conectarse a un contacto que esté propiamente instalado y conectado a tierra.

ADVERTENCIA:

La conexión inapropiada a tierra puede ser un factor de riesgo de sufrir una descarga eléctrica. Consulte a un electricista calificado o al personal de servicio, si las instrucciones de instalación no son completamente entendibles o si existe alguna duda de que el equipo esté conectado adecuadamente a tierra, cuide también:

- (1) Si es necesario utilizar una extensión de corriente, entonces use únicamente extensiones de tres cables, con clavija polarizada con contacto a tierra, y que a su vez el contacto de la extensión se ajuste a la clavija del equipo. La capacidad eléctrica de la extensión debe de ser cuando menos de la misma que la del cable del horno. Así
- (2) No use una extensión de corriente si el cable suministrado está muy delgado, solicite a un electricista que le instale un contacto cerca del equipo.

ADVERTENCIA; No corte ni quite el tercero (ground)prong del cable eléctrico bajo cualesquier circunstancias.

INSTALACION

1. Examine el horno después de abrirlo.

Revise que no esté dañado, no tenga abolladuras, que la puerta esté alineada y que la cavidad no esté rayada o abollada. Si existe algún desperfecto visible, **NO INSTALE EL HORNO** y notifíquelo inmediatamente a su vendedor.

2. Superficie regular y estable.

Coloque el microondas sobre una superficie plana y estable.

3. Ventilación.

No obstruya las rejillas de ventilación. Si estas son bloqueadas durante la operación, el horno se puede calentar excesivamente y eventualmente tener alguna falla.

Para proporcionarle la adecuada ventilación, mantenga como mínimo 4 inches (10.16 cm) de espacio entre cualquier costado del horno y el lugar en donde va a instalarse.

4. Manténgalo alejado de equipos de radio y televisión.

Una mala recepción de televisión e interferencia en la radio pueden presentarse si el horno está colocado cerca de la TV, radio, antena, etc.,

Mantenga alejado el horno de microondas de estos equipos lo más que se pueda.

5. Manténgalo alejado de equipos generadores de calor y de llaves de agua.

No coloque el equipo en lugares calurosos y húmedos, para prevenir el riesgo de incendio o de sufrir una descarga eléctrica. Asimismo no lo instale cerca de la tarja.

6. Suministro de Energía - Revise el voltaje de su domicilio.

Compruebe su fuente de energía local.

Este horno de microondas requiere una corriente aproximada de 12 amperes, a 120 Voltios, 60 Hz y con contacto polarizado con conexión a tierra.

1) Este horno tiene suministrado un cable de corriente corto; esto es con la intención de prevenir el riesgo de llegar a enredarse o tropezar con él.

2) Se puede llegar a utilizar juegos de cable más largos o extensiones de corriente, siempre y cuando se tenga el debido cuidado en su uso.

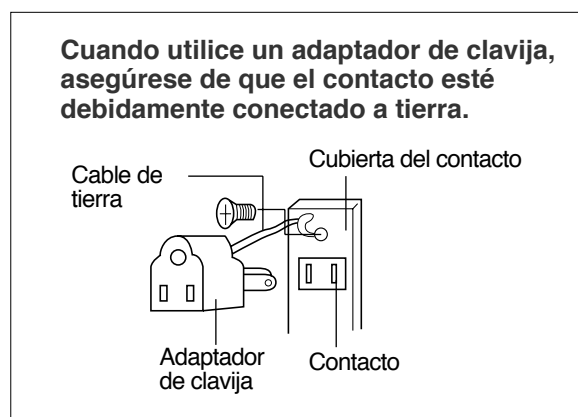
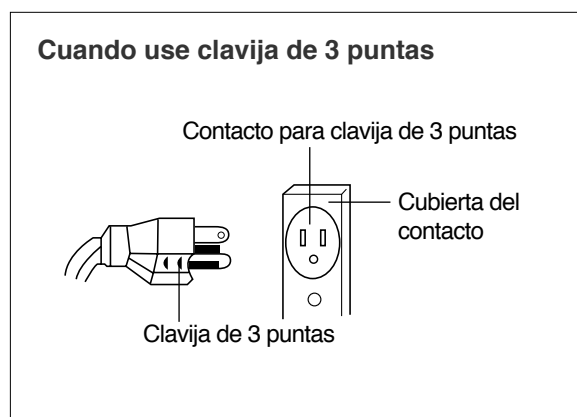
3) Si se utiliza un cable largo o una extensión.

Entonces el rango eléctrico del cable (calibre) o de la extensión debe de ser por lo menos del mismo tipo que el usado en el horno.

El cable de extensión debe de ser del tipo de 3 conductores.

El cable largo debe de acomodarse de forma que no se pueda producir un accidente, debido al tropezar o enredarse con él y a su vez de no quedar al alcance de los niños.

7. El espacio mínimo necesario que debe haber sobre la parte superior del horno es de 4 inches (10.16 cm).

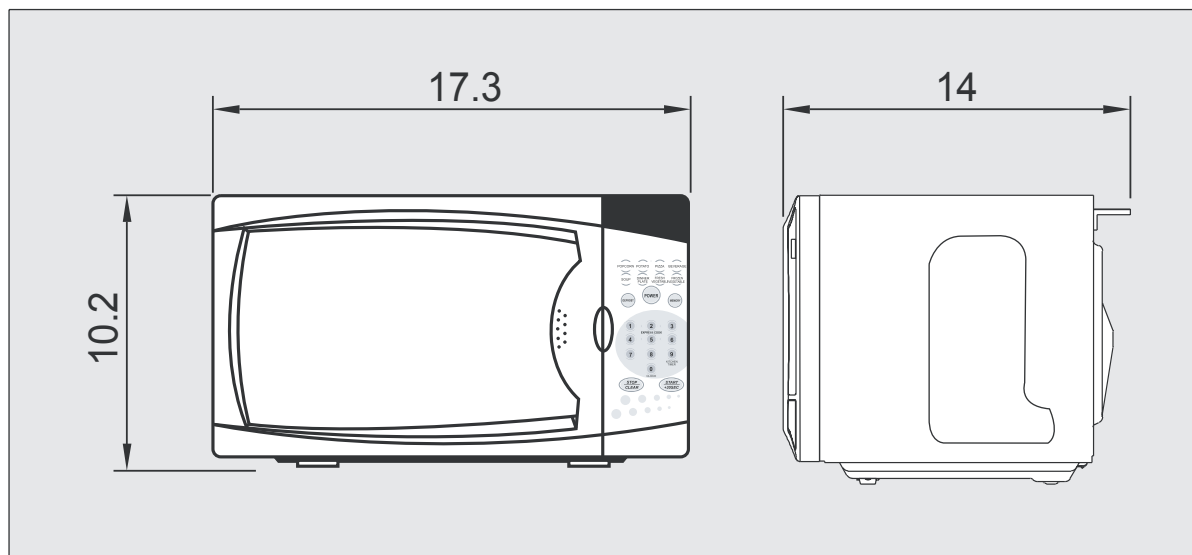


"EL REGLAMENTO ELECTRICICO CANADIENSE NO PERMITE EL USO DE ADAPTADORES DE TIERRA"

ESPECIFICACIONES

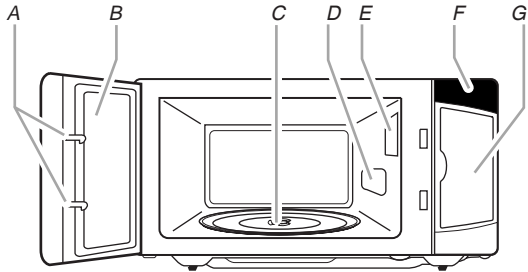
Fuente de Alimentación		120 V ~ / 60 Hz. Fase sencilla con tierra
MICROONDAS	Consumo	1050 W
	Potencia de salida de microondas	700 W
	Frecuencia de microondas	2450 MHz
Dimensiones externas (Ancho x Alto x Fondo)		440x258.5x355 mm (17.3x10.2x14.0 pulgadas)
Dimensiones de la cavidad (Ancho x Alto x Fondo)		306x307.1x208.2mm (12.0x12.1x8.2 pulgadas)
Volumen de la cavidad		0.7 cu.ft.
Peso neto		Aproximadamente 21.6 lbs.
Cronómetro		99 min. 99 seg.
Niveles de potencia		10 niveles

** Las especificaciones están sujetas a cambio sin notificación previa, por mejoras del equipo.*



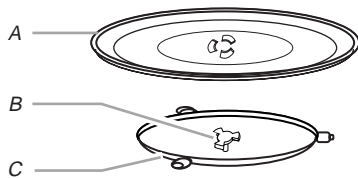
PARTES Y CARACTERÍSTICAS

Este manual corresponde a varios modelos diferentes. El modelo que usted adquirió puede presentar sólo algunas de las características que aparecen aquí o todas ellas. El aspecto del modelo que usted adquirió puede ser algo diferente de las ilustraciones que aparecen en el manual.



- A. Traba de seguridad de la puerta
- B. Malla metálica de protección para la puerta
- C. Plato giratorio de vidrio
- D. Tapa de la ranura de ingreso a la cavidad
- E. Luz del horno
- F. Visor
- G. Panel de control

PLATO GIRATORIO



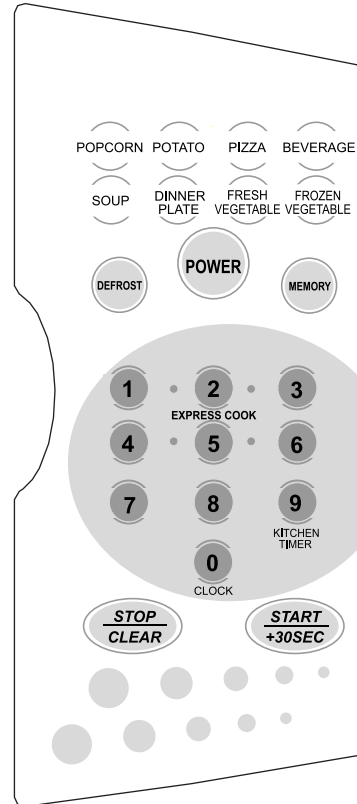
- A. Plato giratorio
- B. Eje
- C. Soporte

El plato giratorio puede rotar en ambas direcciones para obtener una cocción más pareja. Para obtener mejores resultados, no ponga en funcionamiento el horno sin el plato giratorio colocado en su lugar. Consulte la sección "Ayuda o Servicio" para realizar el pedido de alguna parte.

Para instalar:

1. Coloque el eje en el orificio que se encuentra en el centro de la base de la cavidad del horno.
2. Coloque el soporte en la base de la cavidad del horno.
3. Coloque el plato giratorio en el soporte. Coloque las partes elevadas y curvas en el centro de la base del plato giratorio entre los tres rayos del eje.

CONTROL DE HORNO DE MICROONDAS



Visor

Cuando el horno se conecte por primera vez a la corriente eléctrica, la leyenda "0:00" aparecerá en el visor. Si en algún otro momento aparece la leyenda "0:00" en el visor, significa que hubo un corte de corriente. Vuelva a programar el reloj si es necesario. Consulte la sección "Reloj". Cuando el horno está en uso, el visor muestra el tiempo de cocción restante. Cuando el horno no está en uso, en el visor aparece la hora del día (si se ha programado el reloj para mostrar la hora) o el tiempo restante fijado en el temporizador.

Inicio

El control **START** (tecla **START/+30SEC**) pone en funcionamiento el horno. Si se interrumpe el proceso de cocción pulsando la tecla **STOP/CLEAR** o abriendo la puerta del horno, al pulsar la tecla **START/+30SEC** se reinicia el ciclo.

Agregar 30 Segundos

El control **+30SEC (START/+30SEC)** automáticamente pone en funcionamiento el horno de microondas a una potencia del 100% durante 30 segundos, y agrega 30 segundos al tiempo de cocción con cada pulsación adicional del control. Se puede aumentar el tiempo de cocción en incrementos de 30 segundos pulsando el control **START/+30SEC** durante el proceso de cocción.

Cocción Express

Cada uno de los controles de la función **EXPRESS COOK** (teclas números 1-6) automáticamente pone en funcionamiento el horno de microondas a una potencia del 100% durante 1 minuto, 2 minutos, 3 minutos, 4 minutos, 5 minutos o 6 minutos, según la tecla que se pulse.

Detener/Borrar

El control **STOP/CLEAR** borra todo comando equivocado e interrumpe y/o cancela cualquier programa durante la cocción. No borra la hora del día. Cualquier programa de cocción se puede interrumpir pulsando el control **STOP/CLEAR** una vez o abriendo la puerta del horno. El ciclo se puede reiniciar pulsando la tecla **START/+30SEC**. Cualquier programa de cocción se puede cancelar pulsando el control **STOP/CLEAR** dos veces o abriendo la puerta del horno y luego pulsando el control **STOP/CLEAR**.

El control **STOP/CLEAR** también se usa para trabar y destrabar el panel de control. Consulte la sección "Bloquear el panel de controles".

Reloj

Se trata de un reloj estándar de 12 horas (12:00-11:59). Si el reloj no se programa para mostrar la hora, la leyenda "0:00" se mantendrá en el visor. Cuando el reloj se está poniendo en hora, el signo ":" aparecerá titilando. Si durante la cocción pulsa el control **CLOCK** puede consultar la hora durante 3 segundos.

Para programar en hora:

El horno de microondas debe estar en modo standby (no en funcionamiento).

1. Pulse el control **CLOCK** (tecla número 0). Aparecerá "00:00" en el visor con el primer "0" titilando.
2. Ingrese la hora actual, completando los cuatro dígitos de izquierda a derecha. El primer dígito únicamente puede ser "1" ó "0."
3. Pulse la tecla **START/+30SEC**.

Tonos

Los tonos son señales sonoras que indican lo siguiente:

Un tono

1. Ingreso válido (tono corto)
2. Fin de una etapa durante una cocción con múltiples etapas
3. Bloqueo del panel de control activado o desactivado (tono largo)

Cinco tonos

1. Fin de un ciclo
2. Fin de la cuenta regresiva del temporizador de la cocina

Temporizador de la cocina

El temporizador de la cocina (función Kitchen Timer) se puede programar en minutos y segundos, hasta un máximo de 99 minutos 99 segundos y cuenta en forma regresiva el tiempo programado. El temporizador de la cocina no se puede utilizar mientras esté activada otra función del horno.

NOTA: El temporizador de la cocina no pone en funcionamiento ni detiene el horno de microondas.

USO DEL HORNO DE MICROONDAS

Para programar:

1. Pulse el control **KITCHEN TIMER** (tecla número 9). Aparecerá "00:00" en el visor con el primer "0" titilando.
2. Ingrese el tiempo deseado en minutos y segundos, completando los cuatro dígitos de izquierda a derecha. Ejemplo: 1-0-0-0 para 10 minutos, ó 0-5-0-0 para 5 minutos.
3. Pulse la tecla **START/+30SEC**. Cuando haya transcurrido el tiempo programado, se escuchará el tono que indica el fin del temporizador y el visor volverá a marcar la hora del día.
4. Pulse la tecla **STOP/CLEAR** en cualquier momento de la cuenta regresiva para cancelar el funcionamiento del temporizador de la cocina.

Bloquear el panel de controles

La función Control Lock inhabilita las teclas del panel de control para evitar que se ponga en uso el horno de microondas cuando no es esa la intención.

Para activar y desactivar la función: El horno de microondas debe estar en modo *standby*. Pulse y mantenga oprimido la tecla **STOP/CLEAR** durante 3 segundos hasta que escuche el sonido de un tono largo, se borre la leyenda del visor y aparezca un diagrama de la zona del visor. Repita para destrabar el control y volverá a aparecer en el visor la hora del día. Si se pulsa alguna tecla mientras el control está activado no habrá respuesta alguna por parte del horno de microondas.

El magnetrón instalado en el horno de microondas produce microondas que se reflejan en las superficies metálicas del piso, paredes y techo de la cavidad del horno, atraviesan el plato giratorio y la vajilla usada para cocinar, hasta llegar a los alimentos. Las microondas son atraídas y absorbidas por las moléculas de grasa, azúcar y agua de los alimentos. Por esta razón, entran en movimiento y producen la fricción y el calor que produce la cocción de los alimentos.

Para evitar daños en el horno de microondas no se apoye ni permita que los niños se cuelguen de la puerta del horno.

Para evitar daños en el horno de microondas, no lo ponga en funcionamiento cuando esté vacío.

No se deben calentar biberones ni frascos con alimento para bebés en el horno de microondas.

No se deben poner a secar prendas, flores, frutas, hierbas, maderas, calabazas, papeles, incluyendo sacos de papel madera y periódicos, en un horno de microondas.

La cera parafinada no se derretirá dentro de un horno de microondas por que no absorbe las microondas.

Use mitones para horno o agarraderas cuando retire recipientes de un horno de microondas.

No cocine en exceso las patatas. Al terminar el tiempo de cocción recomendado, las patatas deben estar firmes. Déjelas reposar durante 5 minutos. Terminarán de cocinarse mientras descansan.

No cocine ni caliente huevos enteros dentro de la cáscara. El vapor acumulado en los huevos enteros puede hacerlos explotar y la limpieza de la cavidad del horno puede resultar una tarea muy difícil. Cubra los huevos escalfados y déjelos reposar por un rato.

Características de los alimentos

Durante el proceso de cocción, la cantidad, el tamaño y forma, la temperatura inicial del horno, y la composición y densidad de los alimentos influye sobre los resultados de la cocción.

Cantidad de alimentos

Cuanto mayor sea la cantidad de alimentos cocinados de una vez, más tiempo de cocción se necesitará. Controle si está cocido y siga cocinado agregando pequeños incrementos de tiempo si es necesario.

Forma y tamaño

Los trozos pequeños de alimentos se cocinan más rápido que los trozos más grandes, y los alimentos de forma uniforme se cocinan más parejos que los de formas irregulares.

Temperatura inicial

Los alimentos que estén a temperatura ambiente se calientan más rápido que los refrigerados, y los refrigerados más rápido que los congelados.

Composición y densidad

Los alimentos ricos en grasa y azúcar alcanzan temperaturas superiores y se calientan más rápido que otros alimentos. Los alimentos pesados y densos, como la carne y las patatas, requieren más tiempo de cocción que un alimento del mismo tamaño pero más liviano y poroso, como una torta.

Pautas para la cocción

Cubrir los alimentos

Cubrir los alimentos ayuda a mantener la humedad, reducir el tiempo de cocción y reducir las salpicaduras. Use la tapa que viene con la vajilla para cocinar. Si no tiene la tapa, puede usar papel encerado, toallas de papel o plástico indicado para hornos de microondas. Las cubiertas de plástico deben levantarse en una de las esquinas para permitir la salida del vapor.

Es normal que se produzca condensación sobre la puerta y sobre las superficies de la cavidad del horno.

Revolver y dar vuelta

Revolver y dar vuelta los alimentos ayuda a redistribuir el calor en forma pareja y a evitar la cocción excesiva en los bordes del alimento. Revuelva desde los bordes hacia adentro. Si es posible, de vuelta los alimentos y coloque arriba lo que estaba abajo.

Disposición

Si calienta alimentos que tienen formas irregulares o diferentes tamaños, coloque las partes más finas o los trozos de menor tamaño hacia el centro. Si cocina varios trozos del mismo tamaño y forma, colóquelos en forma de anillo, dejando el centro del anillo vacío.

Perforación

Antes de calentar, utilice un tenedor o cuchillo pequeño para perforar o hacer pequeños agujeritos en los alimentos que tengan membrana o cáscara, como las patatas, las yemas de huevo, el hígado de pollo, los perros calientes y las salchichas. Perfóre en varios lugares para dejar salir el vapor.
metal".

Protección

Use trozos pequeños y planos de papel de aluminio para proteger las partes finas de alimentos con formas irregulares, huesos y otras piezas como las alas del pollo, los extremos de las patas y la cola del pescado. Consulte primero la sección "Papel de aluminio y metal".

Tiempo de reposo

Los alimentos seguirán cocinándose por la conducción natural del calor aún cuando termine el ciclo de cocción del microondas. La duración del tiempo de reposo depende del volumen y la densidad del alimento.

Vajilla para cocinar y para servir

La vajilla para cocinar y servir deberá caber en el plato giratorio. Use siempre mitones para el horno o agarraderas para tocar los elementos porque cualquier fuente puede calentarse por el calor transmitido por la comida. No use vajilla para cocinar o servir que tenga borde dorado o plateado. Use la siguiente tabla como guía, y pruebe antes de usarla.

MATERIAL	RECOMENDACIONES
Papel de aluminio	Consulte primero la sección "Papel de aluminio y metal".
Fuente para dorar	La base debe estar por lo menos 3/16" (5 mm) por encima del plato giratorio. Siga las instrucciones del fabricante.
Cerámica vidriada, vidrio	Uso aceptable.
Porcelana, vajilla de barro cocido	Siga las instrucciones del fabricante.
Melamina	Siga las instrucciones del fabricante.
Papel: toallas vajilla, servilletas	Use artículos de papel no reciclado y aquellos que estén aprobados para el uso de horno de microondas.
Plástico: envoltorios, sacos, tapas, vajilla, recipientes	Use los artículos que estén aprobados para el uso de horno de microondas.

MATERIAL	RECOMENDACIONES
Cerámica y arcilla	Siga las instrucciones del fabricante.
Vajilla de silicona para cocinar	Siga las instrucciones del fabricante.
Recipientes de paja, mimbre, madera	No usar en el horno de microondas.
Papel encerado	Uso aceptable.

Para probar si la vajilla es apta para usar en el horno de microondas:

1. Coloque la vajilla para cocinar o servir en un horno de microondas con una taza de agua (250 ml) al lado.
2. Cocine al 100% de la potencia durante un minuto. No use la vajilla si se calentó y el agua se mantuvo fría.

Papel de aluminio y metal

Use mitones para hornos o agarraderas para retirar recipientes de un horno de microondas.

El papel de aluminio y algunos metales se pueden usar en el horno de microondas. Si no se usan en forma adecuada, se puede producir un arco voltaico (un resplandor azul de luz) y dañar el horno de microondas.

Apto para uso

Se pueden usar las rejillas y vajilla que vienen con el horno de microondas (en algunos modelos), papel de aluminio para proteger y los termómetros aprobados para carne, con las siguientes instrucciones:

Para evitar todo daño en el horno de microondas, no deje que el papel de aluminio ni el metal toquen las paredes, el techo o el piso de la cavidad del horno. Use siempre el plato giratorio.

Para evitar todo daño en el horno de microondas, no permita que entre en contacto con ningún objeto metálico durante el proceso de cocción.

No use

No se debe usar vajilla para cocinar y hornear de metal, oro, plata, peltre, termómetros para carne que no estén aprobados, pinchos, hilo metálico plastificado, forro metálico como el que envuelve los sándwiches, ganchos y objetos que tengan borde dorado o plateado o una cubierta metálica.

Potencia para cocinar en el horno de microondas

Muchas recetas para cocinar en el horno de microondas especifican qué potencia utilizar en términos de porcentaje, nombre o cantidad. Por ejemplo, use la tabla siguiente a modo de guía general para la potencia sugerida para la cocción de alimentos específicos.

Porcentaje /Nombre	Numero	Uso
100%, Alta	10	Para calentar comida de preparación rápida, y alimentos con alto contenido de agua, bebidas y la mayoría de los vegetales.
90%	9	Para cocinar trozos pequeños y tiernos de carne, carne picada, aves y filetes de pescado. Para calentar sopas crema.
80%	8	Para calentar arroz, pasta y guisos que se pueden revolver. Para cocinar y calentar alimentos que necesiten una potencia de cocción no tan alta. Por ejemplo, un pescado entero o un pan de carne.
70%, Medio alta	7	Para volver a calentar una porción individual.
60%	6	Para cocinar alimentos delicados como platos con queso y huevo, budines y flanes. Para cocinar platos que no se pueden revolver, como la lasagna.

Porcentaje /Nombre	Numero	Uso
50%, Medio	5	Para cocinar un jamón entero, aves enteras y estofados. Para cocinar guisos a fuego lento.
40%	4	Para derretir chocolate. Para calentar pan, bollos y pastelería.
30%, Medio baja, descongelar	3	Para descongelar pan, pescado, carnes, aves y alimentos precocidos.
20%	2	Para ablandar manteca, queso y helado.
10%, Baja	1	Para quitar el frío de la fruta.

Cocción manual

Para usar:

1. Coloque los alimentos sobre el plato giratorio y cierre la puerta.
2. Pulse la tecla **POWER**. La leyenda "PL10" aparecerá momentáneamente en el visor. Si cocina con otra potencia que no sea el 100%, pulse la tecla **POWER** reiteradamente para desplegar el menú de niveles de potencia, desde la más elevada a la más baja. Consulte el cuadro "Potencias para cocinar en el horno de microondas".
3. Ingrese el tiempo de cocción deseado.
4. Pulse la tecla **START/+30SEC**.
El visor mostrará la cuenta regresiva del tiempo de cocción. Cuando termine el ciclo, se escuchará el tono que indica el fin del ciclo y el visor volverá a marcar la hora del día.
5. Pulse la tecla **STOP/CLEAR** en cualquier momento de la cuenta regresiva para interrumpir o cancelar el proceso de cocción.

Cocción en etapas

El horno de microondas se puede programar para cocinar a diferentes potencias durante distintos períodos de tiempo, hasta en dos etapas. Una de las etapas puede ser Descongelar en forma automática según el peso (ver sección "Descongelar"), que será la primera etapa.

Para cocinar en etapas:

1. Coloque los alimentos sobre el plato giratorio y cierre la puerta.
2. Pulse la tecla **POWER**. La leyenda "PL10" aparecerá momentáneamente en el visor. Si cocina con otra potencia que no sea el 100%, pulse la tecla **POWER** reiteradamente para desplegar el menú de niveles de potencia, desde la más elevada a la más baja. Consulte el cuadro "Potencias para cocinar en el horno de microondas".
3. Ingrese el tiempo de cocción deseado para la primera etapa.
4. Pulse la tecla reiteradamente hasta que aparezca el nivel de potencia deseado para la segunda etapa.
5. Ingrese el tiempo de cocción deseado para la segunda etapa.
6. Pulse la tecla **START/+30SEC**.
El visor mostrará la cuenta regresiva del tiempo de cocción programado para cada etapa, y un tono corto indicará el final de la primera etapa. Se podrá verificar el nivel de potencia durante 3 segundos pulsando la tecla **POWER** durante el etapa que esté en marcha.
Cuando termine el ciclo, se escuchará el tono que indica el fin del ciclo y el visor volverá a marcar la hora del día.
7. Pulse la tecla **STOP/CLEAR** en cualquier momento de la cuenta regresiva para interrumpir o cancelar el proceso de cocción.
Se puede aumentar el tiempo de cocción en incrementos de 30 segundos durante la etapa que esté en proceso pulsando la tecla de control **START/+30SEC**.

Para usar la función Descongelar como primera etapa:

Pulse la tecla Defrost una vez. La leyenda "dEF1" aparecerá en el visor. Ingrese la cantidad de onzas entre 4 y 100 onzas (ver sección "Descongelar"), y luego siga los pasos 4-7 de arriba para programar la segunda etapa.

Descongelar

El programa Descongelar tiene dos funciones: dEF1, que descongela automáticamente según el peso, y dEF2, que descongela en forma manual por tiempo. El nivel de potencia para descongelar es 30% y no se puede modificar.

Desenvuelva los alimentos y quite la tapa (por ejemplos, de los recipientes que contienen jugo de frutas) antes de descongelar.

Los bloques de poca altura se descongelarán más rápidamente que los de mayor altura.

Separe los trozos de alimentos tan pronto como sea posible durante el ciclo o al final de éste para descongelar en forma más uniforme.

Use pequeños trozos de papel de aluminio para proteger algunas partes del alimento, como las alas y patas del pollo y la cola del pescado. Consulte primero la sección "Papel de aluminio y metal".

La función Descongelar no debe usarse con alimentos que hayan estado fuera del congelador durante más de 20 minutos o con alimentos congelados ya preparados. Use el siguiente cuadro a modo de guía.

Para descongelar por peso:

1. Coloque los alimentos, sin cubrir, sobre el plato giratorio y cierre la puerta.
2. Pulse la tecla **DEFROST**. La leyenda "dEF1" aparecerá en el visor.
3. Ingrese el peso en onzas, desde 4 a 100. Si ingresa un valor inválido, el horno no empezará a funcionar.
4. Pulse la tecla **START/+30SEC**.
El visor mostrará la cuenta regresiva del tiempo de descongelamiento. Cuando termine el ciclo, se escuchará el tono que indica el fin del ciclo y el visor volverá a marcar la hora del día.
5. Pulse la tecla **STOP/CLEAR** en cualquier momento de la cuenta regresiva para interrumpir o cancelar el proceso.

Para descongelar por tiempo

1. Coloque los alimentos, sin cubrir, sobre el plato giratorio y cierre la puerta.
2. Pulse la tecla **DEFROST** dos veces. La leyenda "dEF2" aparecerá en el visor.
3. Ingrese el tiempo deseado para descongelar.

4. Pulse la tecla **START/+30SEC**.

El visor mostrará la cuenta regresiva del tiempo de descongelamiento. Cuando termine el ciclo, se escuchará el tono que indica el fin del ciclo y el visor volverá a marcar la hora del día.

5. Pulse la tecla **STOP/CLEAR** en cualquier momento de la cuenta regresiva para interrumpir o cancelar el proceso.

CARNE

Carne de vaca: carne picada, bistec, asado, guisos
Las partes angostas o con más grasa de cortes de forma irregular deben protegerse con papel de aluminio antes de descongelar.

No descongele hamburguesas de menos de 1/4 libra (113 g) o dos de 4 onzas (113 g). Coloque todas las carnes en bandejas que sean aptas para cocinar en horno de microondas. No cubra.

Cordero: guisos y costillas

Cerdo: chuletas, costillas, asado, salchicha

AVES

Pollo: entero y trozado

Coloque en bandejas que sean aptas para cocinar en hornos de microondas, con la parte de la pechuga hacia arriba. No cubra.

Perdices

Pavo: pechuga

PESCADO

Filetes, chuletas, mariscos enteros Coloque en fuente apta para cocción en horno de microondas. No cubra.

Memoria

La memoria puede almacenar hasta 3 programas diferentes de cocción.

Las funciones del Menú Automático no se pueden programar como una función de la memoria.

\Para programar la memoria:

1. Pulse el control **MEMORY**. La leyenda "1" aparecerá en el visor para guardar el primer programa en la memoria.
2. Ingrese el programa, siguiendo las instrucciones de "Cocción manual" o "Cocción en etapas".

3. Pulse el control **MEMORY**. Se escuchará un tono de ingreso válido, que indica que el programa ha sido aceptado por la memoria; o pulse la tecla **START/+30SEC**. El programa se iniciará de inmediato y se guardará en la memoria.

Para ingresar el segundo y el tercer programa en la memoria: Pulse la tecla **MEMORY** dos o tres veces, luego siga los pasos 2 y 3, que figuran arriba.

Para usar la memoria:

1. Coloque los alimentos sobre el plato giratorio y cierre la puerta.
2. Pulse el control **MEMORY** reiteradamente hasta que aparezca el número del programa deseado en el visor.
3. Pulse la tecla **START/+30SEC**.
El visor mostrará la cuenta regresiva del tiempo de cocción del programa. Cuando termine el ciclo, se escuchará el tono que indica el fin del ciclo y el visor volverá a marcar la hora del día.
4. Pulse la tecla **STOP/CLEAR** en cualquier momento de la cuenta regresiva para interrumpir o cancelar el proceso.

Palomitas de maíz

ALMOHADILLA	TOUCH	VISOR	PORCION
Palomitas de maíz	Una vez	1.75	1.75 oz (50 g)
	Dos veces	3.0	3.0 oz (85 g)
	Tres veces	3.5	3.5 oz (99 g)

NOTA: Durante la función Palomitas de maíz (Popcorn), al igual que con las demás funciones del horno de microondas, el artefacto debe estar controlado permanentemente. Preste atención para escuchar cuando las explosiones se distancien y las palomitas salten cada 1 ó 2 segundos y detenga el ciclo.

Para evitar daños en el horno de microondas, no use sacos de papel ni vajilla de vidrio.

Procese un solo paquete de palomitas por vez. Siga las instrucciones del fabricante cuando use un envase de palomitas que se use para procesar en el horno de microondas.

Para obtener mejores resultados, no trate de procesar las palomitas que no explotaron.

Use sacos frescos de palomitas para obtener resultados óptimos.

Los resultados pueden variar según la marca y el contenido graso. Si procesa sacos de un tamaño que no esté incluido en esta sección, siga las instrucciones del envase.

Para usar la función POPCORN:

1. Coloque el envase de palomitas sobre el plato giratorio y cierre la puerta.
2. Pulse la tecla **POPCORN** para elegir el tamaño (ver cuadro).
3. Pulse la tecla **START/+30SEC**.
El visor mostrará la cuenta regresiva del tiempo de la función **POPCORN**. Cuando termine el ciclo, se escuchará el tono que indica el fin del ciclo y el visor volverá a marcar la hora del día.
4. Pulse la tecla **STOP/CLEAR** en cualquier momento de la cuenta regresiva para interrumpir o cancelar el proceso.

Patatas

ALMOHADILLA	TOUCH	VISOR	PORCION
Patatas	Una vez	1	1, 8 oz (227 g) de patata
	Dos veces	2	2, 8 oz (227 g) de patatas
	Tres veces	3	3, 8 oz (227 g) de patatas

Perfore cada patata varias veces con un tenedor antes de asarlas. Coloque una sola patata sobre el plato giratorio, fuera del borde (no en el centro). Coloque 2 ó 3 patatas sobre el plato giratorio alrededor de los bordes, separadas 1" (2.5 cm).

Deje que las patatas descansen durante 5 minutos después de hornear.

Para usar la función POTATO:

1. Coloque las patatas sobre el plato giratorio y cierre la puerta.
2. Pulse la función **POTATO** para elegir la cantidad de patatas (ver cuadro).
3. Pulse la tecla **START/+30SEC**.
El visor mostrará la cuenta regresiva del tiempo de cocción. Cuando termine el ciclo, se escuchará el tono que indica el fin del ciclo y el visor volverá a marcar la hora del día.
4. Pulse la tecla **STOP/CLEAR** en cualquier momento de la cuenta regresiva para interrumpir o cancelar el proceso.

Pizza

ALMOHADILLA	TOUCH	VISOR	PORCION
Pizza	Una vez	1	1, 3 oz (85 g) rebanadas
	Dos veces	2	2, 3 oz (85 g) rebanadas
	Tres veces	3	3, 3 oz (85 g) rebanadas

Coloque las porciones de pizza sobre una toalla de papel o plato de papel.

Para usar la función PIZZA:

- Coloque la pizza sobre el plato giratorio y cierre la puerta.
- Pulse la función **PIZZA** para elegir la cantidad de porciones (ver cuadro).
- Pulse la tecla **START/+30SEC**.
El visor mostrará la cuenta regresiva del tiempo de recalentamiento. Cuando termine el ciclo, se escuchará el tono que indica el fin del ciclo y el visor volverá a marcar la hora del día.
- Pulse la tecla **STOP/CLEAR** en cualquier momento de la cuenta regresiva para interrumpir o cancelar el proceso.

Bebidas

ALMOHADILLA	TOUCH	VISOR	PORCION
Bebidas	Una vez	1	1, 8 oz (250 g) cup
	Dos veces	2	2, 8 oz (250 g) cups
	Tres veces	3	3, 8 oz (250 g) cups

No cubra.

El diámetro de la boca de la taza afectará la forma en que los líquidos se calienten. Las bebidas en tazas con pequeñas aberturas pueden calentarse más rápido.

Para usar la función BEVERAGE:

- Coloque las tazas sobre el plato giratorio y cierre la puerta.
- Pulse la tecla **BEVERAGE** para elegir la cantidad (ver cuadro).
- Pulse la tecla **START/+30SEC**.
El visor mostrará la cuenta regresiva del tiempo de recalentamiento. Cuando termine el ciclo, se escuchará el tono que indica el fin del ciclo y el visor volverá a marcar la hora del día.

- Pulse la tecla **STOP/CLEAR** en cualquier momento de la cuenta regresiva para interrumpir o cancelar el proceso.

Sopa

ALMOHADILLA	TOUCH	VISOR	PORCION
Patatas	Una vez	4.0	4.0 oz (113 g)
	Dos veces	8.0	8.0 oz (227 g)
	Tres veces	12.0	12.0 oz (340 g)
	Quattro veces	16.0	16.0 oz (454 g)

Coloque en recipientes seguros para el horno de microondas.

Cubra con plástico y permita que salga el vapor. Revuelva y deje descansar 2-3 minutos después de cocinar.

Para usar la función SOUP:

- Coloque el recipiente sobre el plato giratorio y cierre la puerta.
- Pulse la tecla **SOUP** para elegir la cantidad (ver cuadro).
- Pulse la tecla **START/+30SEC**.
El visor mostrará la cuenta regresiva del tiempo de cocción. Cuando termine el ciclo, se escuchará el tono que indica el fin del ciclo y el visor volverá a marcar la hora del día.
- Pulse la tecla **STOP/CLEAR** en cualquier momento de la cuenta regresiva para interrumpir o cancelar el proceso.

Bandeja de cena preparada

ALMOHADILLA	TOUCH	VISOR	PORCION
Bandeja de cena preparada	Una vez	9.0 oz	9.0 oz (255 g)
	Dos veces	12.0 oz	12.0 oz (340 g)
	Tres veces	18.0 oz	18.0 oz (510 g)

Coloque los alimentos sobre la fuente, cubra con plástico y permita la salida del vapor.

Para usar la función DINNER PLATE:

- Coloque la fuente sobre el plato giratorio y cierre la puerta.
- Pulse la tecla **DINNER PLATE** para elegir el tamaño (ver cuadro).
- Pulse la tecla **START/+30SEC**.
El visor mostrará la cuenta regresiva del tiempo de cocción. Cuando termine el ciclo, se escuchará el tono que indica el fin del ciclo y el visor volverá a marcar la hora del día.

4. Pulse la tecla **STOP/CLEAR** en cualquier momento de la cuenta regresiva para interrumpir o cancelar el proceso.

Vegetales frescos, vegetales congelados

ALMOHADILLA	TOUCH	VISOR	PORCION
VEGETALES FRESCOS	Una vez	4.0 oz	4.0 oz (113 g)
	Dos veces	8.0 oz	8.0 oz (227 g)
	Tres veces	16.0 oz	16.0 oz (454 g)
VEGETALES CONGELADOS	Una vez	4.0 oz	4.0 oz (113 g)
	Dos veces	8.0 oz	8.0 oz (227 g)
	Tres veces	16.0 oz	16.0 oz (454 g)

Retire los vegetales congelados del envase.

Coloque en recipientes seguros para horno de microondas.

Agregue agua:

2 cucharadas (30 mL) para 4.0 onzas (113 g) de vegetales;

4 cucharadas (60 mL) para 8.0 onzas (227 g) de vegetales;

1/3 taza (80 mL) para 16.0 onzas (454 g) de vegetales.

Cubra con plástico y permita que salga el vapor.

Revuelva y deje descansar 2-3 minutos después de cocinar.

Para usar la función **FRESH VEGETABLE/FROZEN VEGETABLE**:

1. Coloque los alimentos sobre el plato giratorio y cierre la puerta.
2. Pulse la tecla **FRESH VEGETABLE** o **FROZEN VEGETABLE** para elegir la cantidad (ver cuadro).
3. Pulse la tecla **START/+30SEC**.
El visor mostrará la cuenta regresiva del tiempo de cocción. Cuando termine el ciclo, se escuchará el tono que indica el fin del ciclo y el visor volverá a marcar la hora del día.
4. Pulse la tecla **STOP/CLEAR** en cualquier momento de la cuenta regresiva para interrumpir o cancelar el proceso.

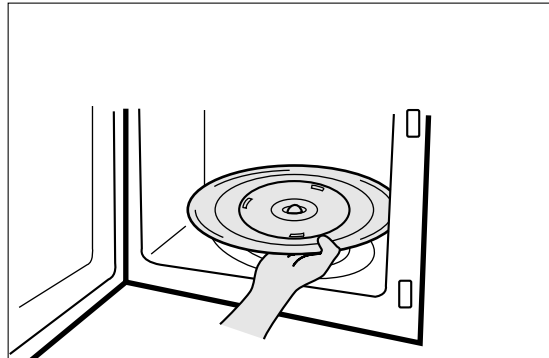
MANTENIMIENTO Y CUIDADO DE SU HORNO

El horno se debe limpiar regularmente y cualquier depósito del alimento quitado.

La falta de mantener el horno en condiciones limpias podrá conducir a la deterioración de la superficie que podrá afectar al contrario la vida de la aplicación y dar lugar posiblemente a una situación peligrosa.

- 1 Desconecte el horno antes de limpiarlo.
- 2 Mantenga limpio el interior del horno. Cuando los alimentos salpiquen las paredes o se derramen en el interior, limpie el interior con un paño húmedo. Puede usar un detergente suave si el horno se encuentra demasiado sucio. No es recomendable usar detergentes fuertes o abrasivos.
- 3 La parte exterior del horno debe limpiarse con agua y jabón, y enjuagarse y secarse con un paño suave. Para evitar daños a las partes que operan dentro del horno, no permita que entre agua por la abertura de ventilación.
- 4 Si el panel de control se moja, límpielo con un paño suave. No use detergentes o abrasivos fuertes en el panel de control.
- 5 Si se acumula vapor en el interior del horno o el borde de la puerta, límpielo con un paño suave. Esto suele ocurrir cuando el horno de microondas está siendo operado bajo condiciones de alta humedad, sin embargo, esto no es un indicio de mal funcionamiento.

- 6 Ocasionalmente es necesario retirar el plato de cristal para limpiarlo. Lávelo en agua tibia con jabón o en lavaplatos automático.



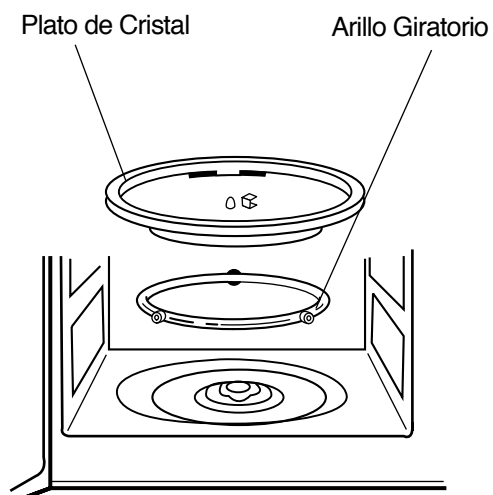
- 7 El arillo y la base de la cavidad, deben limpiarse regularmente para evitar que hagan demasiado ruido. Simplemente limpie la superficie con agua y detergente suave o con limpiador de ventanas y seque. El eje puede lavarse con agua tibia.

ARILLO GIRATORIO

- 1 El ARILLO y la base de la cavidad, deben limpiarse regularmente para evitar que hagan demasiado ruido.
- 2 El Plato de Cristal siempre debe colocarse sobre el ARILLO para cocinar.

PLATO DE CRISTAL

- 1 No opere el horno sin el Plato de Cristal.
- 2 No use ningún otro plato de cristal en este horno.
- 3 Si el plato de cristal está caliente, permita que se enfríe antes de limpiarlo o colocarlo en agua.
- 4 No cocine directamente sobre el Plato de Cristal.



ANTES DE LLAMAR AL SERVICIO TECNICO

Revisando la siguiente lista, usted podría evitar una llamada innecesaria al servicio técnico.

* El horno no funciona:

1. Revise que el cable de alimentación eléctrica esté bien conectado.
2. Revise que la puerta esté firmemente cerrada.
3. Revise que el tiempo de cocción esté seleccionado.
4. Revise si los fusibles de su casa se encuentran en perfecto estado o si hay algún corto circuito.

* Chispas en el interior:

1. Revise que los utensilios empleados no sean de metal o no tengan algún borde metálico.
2. Revise que las brochetas metálicas o el papel aluminio no estén rozando en las paredes internas del horno.

Si persiste el problema llame al centro de servicio más cercano a su domicilio.

La lista de centros de servicio se encuentra en el certificado de garantía que viene en el interior del horno.

CUIDADO Y LIMPIEZA

Aunque su horno se proporciona las características de seguridad, es importante observar el siguiente:

1. Es importante no derrotar o no tratar de forzar con los dispositivos de seguridad.
2. No ponga ningún objeto entre el frontface del horno y la puerta ni permita que el residuo acumule en superficies de lacre. Limpie el área de lacre con frecuencia con un detergente suave, aclaración y séquese. Nunca utilice los polvos abrasivos o los cojines.
3. Cuando está abierta, la puerta no se debe sujetar a la tensión, por ejemplo, un niño que colgaba en una puerta abierta o cualquier carga podría hacer el horno caer adelante para causar lesión y también para dañar a la puerta. No funcione el horno si se daña, hasta que ha sido reparado por un técnico competente del servicio. Es particularmente importante que el horno se cierra correctamente y que no hay daños a:
 - i) Door(bent)
 - ii) Bisagras y Hookes(broken o aflojado)
 - iii) Sellos de puerta y superficies de lacre.
4. El horno no se debe ajustar o reparar por cualquier persona excepto un técnico correctamente competente del servicio.
5. El horno se debe limpiar regularmente y cualquier depósito del alimento quitado;
6. La falta de mantener el horno en condiciones limpias podría conducir a la deterioración de la superficie que podría afectar al contrario la vida de la aplicación y dar lugar posiblemente a una situación peligrosa.

PREGUNTAS Y RESPUESTAS

***P : ¿Puedo operar el horno sin el plato de cristal o sin la guía giratoria?**

*R : No. Ambos utensilios deben utilizarse en el horno antes de cocinar algún alimento.

***P : ¿Puedo abrir la puerta cuando el horno está operando?**

*R : Sí. La puerta puede abrirse en cualquier momento durante la operación. Entonces la energía de la microonda será apagada inmediatamente y el ajuste del tiempo mantendrá hasta que la puerta es cerrada.

***P : ¿Porqué se acumula vapor en el horno de microondas después de cocinar?**

*R : La acumulación de humedad es normal que ocurra. Esto sucede, porque la comida produce vapor al cocinarse, y aunque gran parte de este vapor se elimina por el aire que es ventilado, algo de vapor suele permanecer, concentrándose en las superficies frías como lo es la puerta del horno.

***P : El horno de microondas causa interferencia en mi TV. ¿Es normal esto?**

*R : Sí. Algunas interferencias de radio o televisión pueden ocurrir mientras el horno está en funcionamiento. Esta interferencia es similar a la causada por equipos pequeños como batidoras, aspiradoras, secadoras de pelo, etc. Esto no significa que haya problemas con el horno o su TV.

*** P : ¿La energía de las microondas puede traspasar la ventanilla de la puerta?**

*R : No. La pantalla de metal de la ventanilla hace regresar la energía de las microondas dentro de la cavidad del horno. Los orificios están hechos para permitir el paso de la luz a través de ellos y permitir inspeccionar los alimentos. Pero no dejan pasar la energía.

***¿Q:Why esta vez derecha recomendada después de que se haya terminado la operación que cocinaba?**

*A: El tiempo derecho es muy importante. Con cocinar de microonda, el calor está en el alimento, no en el horno. Muchos alimentos acumulan bastante calor interno para permitir que el proceso que cocina continúe, incluso después el alimento se quite del horno. Hora derecha para los empalmes de la carne, los vehículos y las tortas grandes deben permitir que el interior cocine totalmente, sin quemar el exterior.

***¿Q:What la "situación mide el tiempo" de medio?**

*A: el "tiempo que está parado" significa que el alimento se debe quitar del horno y cubrir por hora adicional de permitir que acabe el cocinar. libera el horno para otro cocinar.

***¿Q:Why mi horno no cocina siempre como los fastas que la guía el cocinar de microonda dice?**

*A: Compruebe a su guía que cocina otra vez, para cerciorarse de usted haber seguido direcciones exactamente; y para ver qué pudo causar variaciones en tiempo de cocción. Cocinando tiempos de la guía y calor los ajustes son sugerencias, para ayudar a evitar el quemar... del problema más común de conseguir utilizados a un horno de microonda. Las variaciones en el tamaño, la forma y los pesos y las dimensiones podían requerir tiempo más de largo de cocción. Utilice su propio juicio junto con las sugerencias de la guía que cocinan al cheque si el alimento se ha cocinado correctamente apenas pues usted haría con una cocina convencional.

***¿Se dañe Q:Will el horno de microonda si los itoperates mientras que es vacío?**

*A: Sí. Nunca funciónela vacía.

***Q: ¿Puedo funcionar mi horno de microonda sin la placa giratoria o dar la vuelta a la placa giratoria para sostener un plato grande?**

*A: No. Si usted quita o vuelca la placa giratoria, usted conseguirá a pobres que cocinan resultados. Los platos usados en su horno deben caber en la placa giratoria.

***Q: ¿Es normal para que la placa giratoria dé vuelta en cualquier dirección?**

*A: Sí. La placa giratoria rota a la derecha o a la izquierda, dependiendo de la rotación del motor cuando el ciclo que cocina comienza.

***Q: ¿Puedo hacer estallar las palomitas en mi horno de microonda? ¿Cómo consigo los mejores resultados?**

*A: Sí. El estallido empaquetó las pautas de la fabricación de siguiente de las palomitas de la microonda. No utilice las bolsas de papel regulares. Utilice la "prueba que escucha" parando el horno tan pronto como el hacer estallar retarde un "estallido" a cada 1 o 2 segundos. No el repop unpopped núcleos. No haga estallar las palomitas en el cookware de cristal.

USAR SU HORNO DE MICROONDAS CON SEGURIDAD

Uso General

- Es importante no obstruir los orificios o eliminar los ganchos de seguridad de la puerta.
- No coloque ningún objeto entre la parte frontal y la puerta, ni permita que se acumulen residuos o suciedad en las superficies de sellado. Limpie continuamente las superficies de sellado con detergente suave, enjuague y seque. Nunca use polvos o limpiadores abrasivos.
- No permita que la puerta se deforme o sufra algún daño al estar abierta, por ejemplo cuando un niño se cuelgue o se apoye alguna carga. Esto puede causar que el horno se voltee y caiga, dañándose la puerta o el equipo.
- No opere el horno si está dañado y hasta no ser reparado por un técnico calificado. Es importante que la puerta cierre apropiadamente y que no existan daños en los sellos, superficie de sellado, bisagras y seguros. Cuando desempaque su horno, revise que no esté rayado o golpeado y asimismo que la cavidad no esté rayada o golpeada.
- No haga funcionar el horno si se encuentra vacío. Esto puede dañar el horno.
- No intente usar el horno para secar ropa, trapos, papel periódico u otros materiales. Estos pueden causar fuego. Tampoco introduzca animales dentro del horno.
- No use productos de papel reciclado, ya que estos pueden contener impurezas, las cuales pueden reflejar las microondas y producir chispas o fuego. Tampoco caliente líquidos, gases volátiles o materiales inflamables.
- No introduzca recipientes sellados, envases herméticos o alimentos enlatados.
- No maltrate ni golpee el panel de control. Esto puede dañar el horno.

Alimentos

- Nunca utilice su horno de microondas para esterilizar comida en casa. El horno no está diseñado para esterilizar adecuadamente. La comida mal esterilizada puede descomponerse y ser peligrosa para su consumo.
- Siempre procure utilizar el menor tiempo de cocción de la receta. Recuerde que es mejor dejar un poco crudo que bien cocido. Si la comida quedó cruda puede regresarse al horno para volverla a cocinar. Si la comida está muy cocida y se ha quemado, entonces ya nada se puede hacer.
- Las pequeñas cantidades de alimento o la comida con bajo contenido de humedad puede llegar a quemarse, secarse o inflamarse si el tiempo de cocción es demasiado largo.
- No cocine huevos con cascarón o con la yema entera, ya que la presión podría hacer que el huevo explote. Revuelva los huevos antes de cocinarlos.
- Papas, manzanas, yemas de huevo, pollo, jitomates y salchichas son ejemplos de comidas con pieles no porosas, las cuales se deben perforar antes de cocinarse para evitar que estallen.
- No intente freír en el horno de microondas.
- Los líquidos calientes pueden hacer ebullición si no se olean un poco. No caliente líquidos en su horno de microondas sin revolverlos constantemente.
- No descuide el horno mientras se cocinan las palomitas.
- No cocine el maíz palomero en bolsas de papel común y corriente, a menos que se trate de un producto especial para preparar palomitas en microondas. Las semillas de maíz se pueden sobrecalentar e incendiar las bolsas de papel estraza.
- No coloque la bolsa de palomitas directamente sobre el plato. Póngalas en un recipiente especial para microondas. No use aceite al menos que esto se halle especificado por el fabricante.
- No exceda el tiempo de cocción indicado por el fabricante de las palomitas. La cocción prolongada no hará que estalle más el maíz, y sólo ocasionará que se quemen e incendien. Recuerde que después de hacer las palomitas, el plato y la bolsa estarán muy calientes. Tome la bolsa cuidadosamente usando pinzas para cocina y utilice guantes para retirar el plato del horno.

ARCING

Si usted ve la formacin de arcos, toque el cojin de STOP/CLEAR y corrija el problema.

La formacin de arcos es el trmino de la microonda para las chispas en el horno.

La formacin de arcos se causa cerca:

- * Metal u hoja que toca el lado del horno.
- * Hoja no moldeada al alimento (acto vuelto hacia arriba de los bordes como las antenas).
- * El metal, por ejemplo torcer-ata, los pernos de las aves de corral, o goldrimmed platos, en la microonda.
- * Toallas de papel recicladas que contienen los pedazos pequeños del metal que son utilizados en la microonda.



Garantía Del Horno De Microonda

MC Appliance corp. autoriza cada horno de microonda nuevo para estar libre de defectos en material y la ejecución y acuerda remediar cualquier defecto o equipar un nuevo part(s) (en la opción de los company?s) para cualquier part(s) de la unidad que ha fallado durante el período de la garantía. Las piezas y los costos del trabajo se cubren en esta unidad por un período de un año después de la fecha de la compra. Además MC Appliance corp. autoriza el magnetrón (piezas solamente) para estar libre de defectos en material y la ejecución por un período de 8 años. El consumidor es responsable de todo el trabajo y los costos del transporte relacionados con la diagnosis y el reemplazo del magnetrón después de las uno garantías inicial del año expiran. Si en el acontecimiento la unidad requiere el reemplazo o el reembolso bajo términos de esta garantía el consumidor es responsable de todos los costos del transporte volver la unidad a nuestra fábrica antes de recibir una unidad o un reembolso del reemplazo. **Una copia de las ventas anticuadas pone el recibo/factura se requiere para recibir servicio de la garantía, reemplazo o reembolso**

Esta garantía cubre aplicaciones en uso dentro de los Estados Unidos, del Puerto Rico y de la Hawaii continentales. La garantía no cubre el siguiente:

- Daños debido al daño del envío o a la instalación incorrecta.
- Daños debido al uso erróneo o al abuso.
- Pérdidas contentas debido a la falta de la unidad.
- Las reparaciones se realizaron por los agentes desautorizados del servicio.
- Llamadas de servicio que no implican defectos en material y la ejecución tal como instrucción en el uso apropiado del producto o de la instalación incorrecta.
- Reemplazo o reajuste de los fusibles o de los interruptores de la casa.
- Falta de este producto si está utilizado para otro entonces su propósito previsto.
- Costes de la disposición de unidades falladas no vueltas a nuestra fábrica
- Cualquier costos de la entrega contrajeron como el resultado de una unidad que falla de realizar como specified.

Esta garantía está en lugar de todas las garantías expresadas o implicó y no se autoriza a ningún representante o persona a asumir para nosotros ninguna otra responsabilidad en la conexión con la venta de este producto. Bajo ningunas circunstancias está el consumidor permitido para volver esta unidad a la fábrica sin consentimiento anteriormente escrito de las ventas y de la comercialización, inc. de MC.

Modelo	Piezas	Trabajo	Magnetron (Parte Solamente)	Tipo de servicio
MCM770W/B	Uno-Año	Uno-Año	Ocho Años	Lleve Adentro

**Para el servicio o la ayuda llame por favor 888 775-0202
o visítenos en la tela en www.mcappliance.com**