

norpole

48" Refrigerated Deli Case ♦ NPDC-48B



Standard Features

- ♦ Aluminum interior liner with stainless steel floor
- ♦ Attractive curved glass and sliding glass doors
- ♦ Rounded corner design inside the cabinet makes cleaning easy
- ♦ Keeps product between 32°F to 43°F (0°C to 6°C)
- ♦ Easy to set electronic temperature and defrost control
- ♦ Easy access to condensor coil for cleaning and service
- ♦ Adjustable heavy-duty PVC coated shelves
- ♦ LED interior lighting

Technical Specifications

Product Classification	Refrigerator
Climate Class	N
Number of Doors / Lids	2 Doors
External Cabinet Material	Coated Stainless Steel
Internal Cabinet Material	Aluminum and Stainless Steel
Type of Refrigeration Agent	R-290
Type of Temperature Control	Digital
Temperature Range °C	0°C to 6°C
Temperature Range °F	32°F to 43°F
Voltage / Frequency	115V / 60Hz
Amp	3.12
Compressor HP	1/4+
Type of Insulation	2.5-Inch Polyurethane Foam
Door Handle	N/A

Certified Safety Standard

- ♦ ETL Listed
- ♦ ETL Sanitation Listed



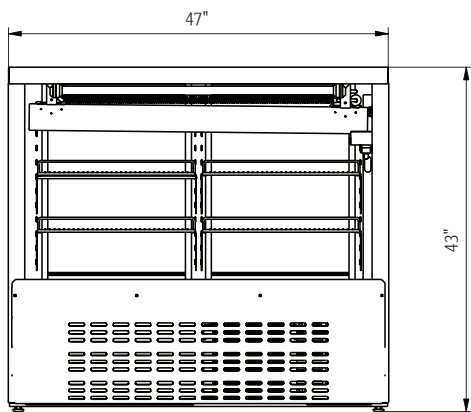
Warranty Information

- ♦ 5 Years Compressor
- ♦ 3 Year Parts & Labor

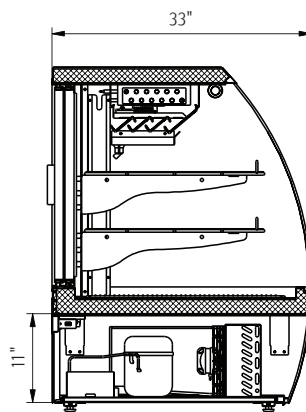


norpole

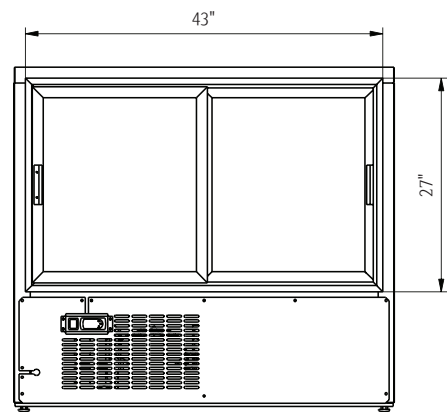
48" Refrigerated Deli Case ♦ NPDC-48B



Front View



Side Section



Rear View



Plug Type: (NEMA) 5-15P

Capacity

Gross Capacity 18 cu. ft.

Dimensions

Internal Cabinet Width	43 in
Internal Cabinet Depth	27 in
Internal Cabinet Height	27 in
External Width	47 in
External Depth	33 in
External Height	43 in
Shipping Dimensions (W x D x H)	52 x 37 x 49 in

Weight

Gross Weight 388 lbs.

Accessories

Frost Free	Yes
Adjustable Shelves	4
Fixed Shelves	No
Internal Light	Yes
Internal Light Switch	No
External Light Switch	Yes
Self Closing Door / Lid	No
Door Holder for Loading	No
Door / Lid Lock	No
Reversible (Left) Door	No
Adjustable Feet	No
Adjustable Thermostat	Yes