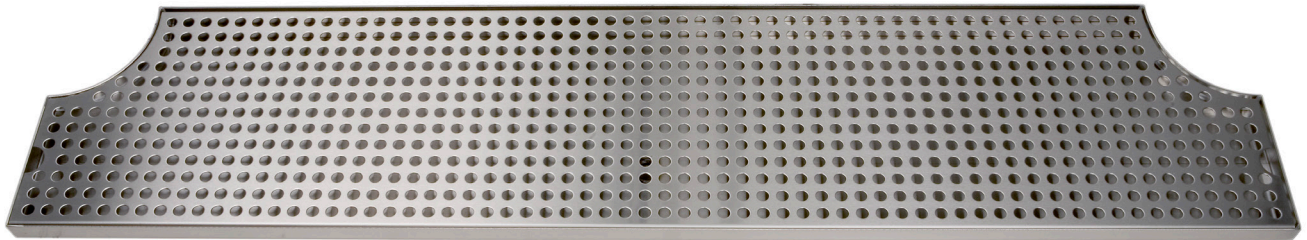




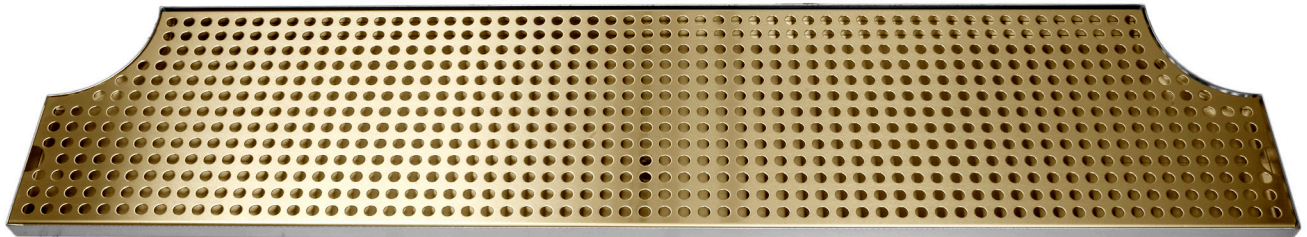
## SURFACE MOUNT SERIES WITH CUTOUT 8 1/2" X 52"

- Designed specifically for Metropolis H draft towers
- Robust 18 gauge stainless steel construction
- Welded corners, finished smooth for safety and appearance
- Fast draining, precision perforated screen



**DP-MET-H-52-Z**

Stainless Steel

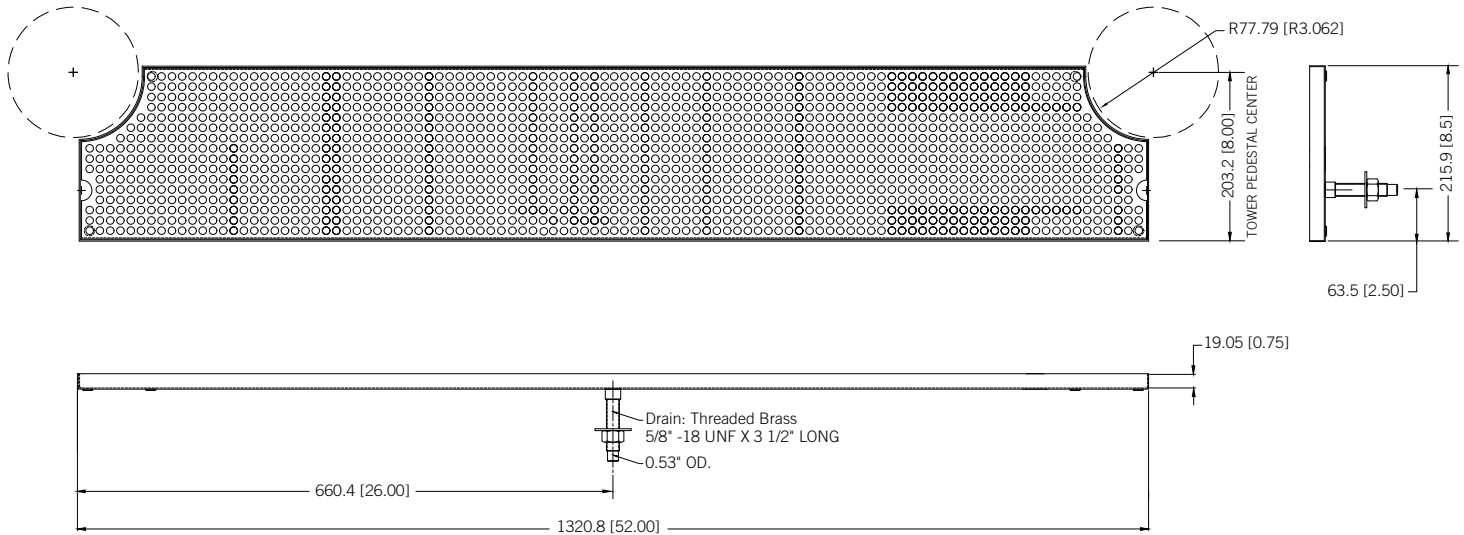


**DP-MET-H-PVD-52-Z**

PVD Brass / Stainless Steel

Part No.	Dimensions	Finish	Shipping Weight
□ DP-MET-H-52-Z	8 1/2"W x 52"L x 3/4"H	Stainless Steel	TBD
			TBD
□ DP-MET-H-PVD-52-Z	8 1/2"W x 52"L x 3/4"H	PVD Brass / Stainless Steel	TBD
			TBD

Dimensions



 **MICRO MATIC**  
 Toll-Free: 1-866-327-4159  
[www.micromatic.com](http://www.micromatic.com)

**West**  
 19791 Bahama St.  
 Northridge, CA 91324  
 Tel. (818) 701-9765  
 Fax. (818) 701-9844

**Central**  
 10726 North Second St.  
 Machesney Park, IL 61115  
 Tel. (815) 968-7557  
 Fax. (815) 968-0363

**Southeast**  
 2386 Simon Ct.  
 Brooksville, FL 34604  
 Tel. (352) 799-6331  
 Fax. (352) 796-2429

**Northeast**  
 4601 Saucon Creek Rd.  
 Center Valley, PA 18034  
 Tel. (610) 625-4464  
 Fax. (610) 625-4466