

### KEY FEATURES:

- Stainless Steel Construction
- Quiet Working Speed
- 50W Halogen Lamps
- Dishwasher-Safe Mesh Filters
- 3 Speed Stainless Steel Buttons
- Easy Installation



**MODELS** MH00130CS  
MH00136CS

**SIZES** 30in  
36in

**NET WIDTHS** 29-15/16in  
35-7/8in

**MAX. CFM** 750

**MAX. SONES** 6

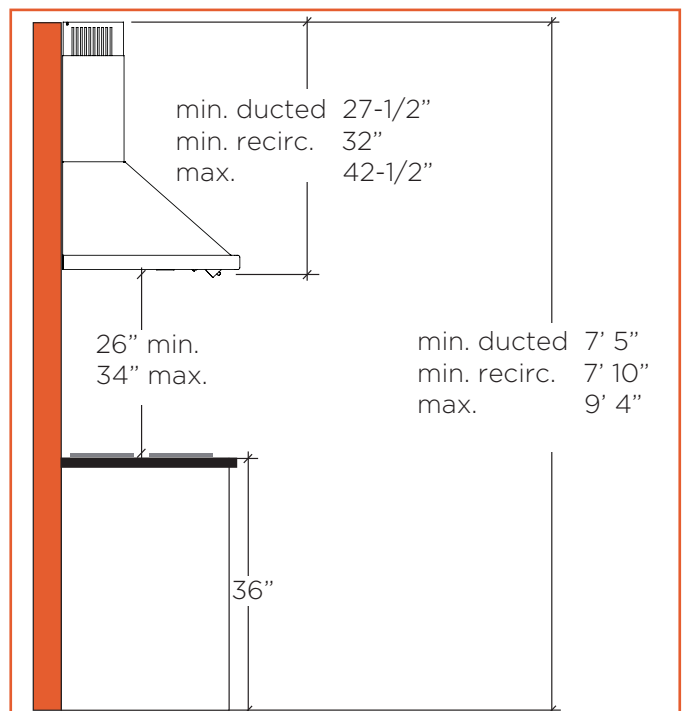
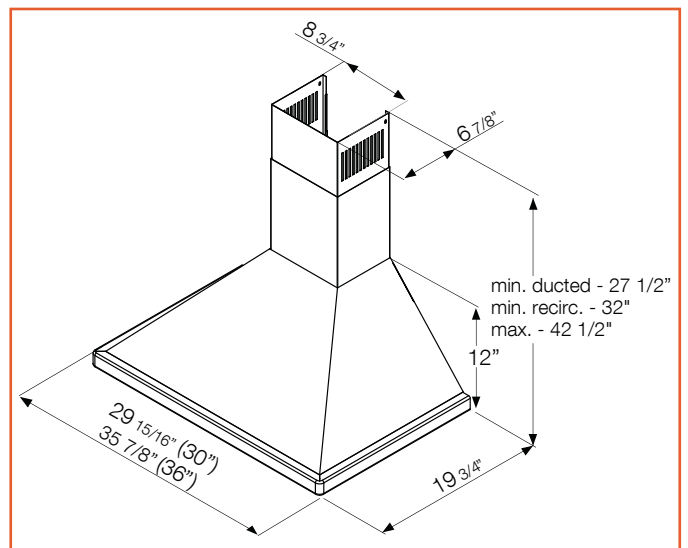
**DUCTING**  
**top** 6in round  
**back** n/a  
**recirculating** yes

**ACCESSORIES**  
**recirculating** RHRK001CS  
**ext. duct cover** RHEX001S (up to 12' ceiling)

**AC INPUT** 120v, 60hz

**AC POWER** max. 426w @ 3.5a

**INSTALL HEIGHT\*** 26in - 34in



\*install height is the distance between top of cooking surface and bottom of hood.

Specifications subject to change without notice.