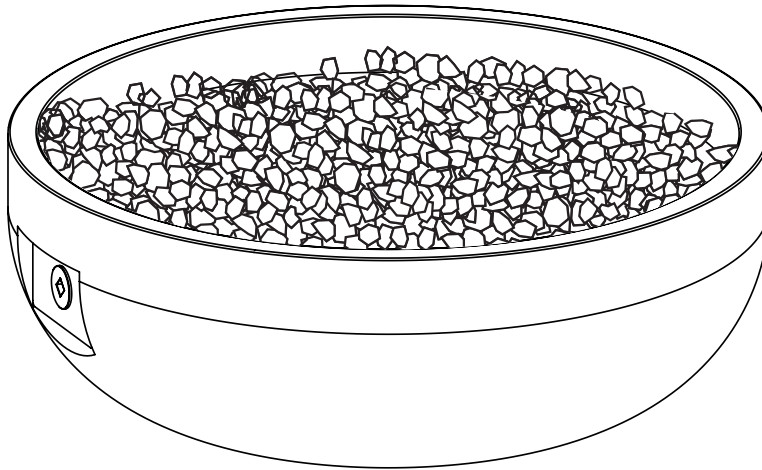


JENSEN CO

ESTD 1982



302NG 48" Fire Bowl Owner's Manual

⚠ DANGER

CARBON MONOXIDE HAZARD

This appliance can produce carbon monoxide which has no odor. Using it in an enclosed space can kill you.

Never use this appliance in an enclosed space such as a camper, tent, car or home.



⚠ DANGER

FIRE OR EXPLOSION HAZARD

If you smell gas:

- Shut off gas to the appliance.
- Extinguish any open flame.
- If odor continues, leave the area immediately.
- After leaving the area, call your gas supplier or fire department. Failure to follow these instructions could result in fire or explosion, which could cause property damage, personal injury, or death.

⚠ WARNING: FOR OUTDOOR USE ONLY.

Installation and service must be performed by a qualified installer, service agency, or the gas supplier.

INSTALLER: Leave this manual with the appliance.

CONSUMER: Retain this manual for future reference.

⚠ WARNING: If the information in this manual is not followed exactly, a fire or explosion may result causing property damage, serious injury, or loss of life.

⚠ WARNING: Do not store or use gasoline or other flammable vapors and liquids in the vicinity of this or any other appliance.

An LP gas tank not connected for use shall not be stored in the vicinity of this or any other appliance.



Intertek

TABLE OF CONTENTS

Important Safety Information	3
Natural Gas (NG) Dangers and Warnings	5
Parts List	6
Assembly Instructions	7
Pre-Use Instructions	10
Lighting Instructions	11
Care and Cleaning	12
Spider and Insect Warning	13
Tips and Troubleshooting	14
Technical Parts List	16
Warranty	17
Return Policies	18

SPECIFICATIONS

Product Name

48" Firebowl

Type of Gas

Natural Gas (NG)

Model No.

302NG

Gas SupplyProfessionally Installed
NG System**Rated Heat Output**

85,000 BTUs/hr

ATTENTION

Please register your fireplace for recall notifications, proof of ownership and quality assurance at <https://www.realflame.com/registration>.

IMPORTANT SAFETY INFORMATION

General Warnings

- **Children and adults should be alerted to the hazards of high surface temperatures and should stay away to avoid burns or clothing ignition.**
- **Children should be carefully supervised when in the area of the fireplace.**
- **Clothing or other flammable materials should not be hung from the fireplace or placed on or near the fireplace.**
- **Any guard or other protective device removed for servicing the fireplace must be replaced prior to operating the fireplace.**
- **Installation and service must be performed by a qualified service agency or gas supplier. Real Flame recommends using professionals who are certified in the U.S. by the National Fireplace Institute® (NFI) as NFI Gas Specialists.**
- **More frequent cleaning may be required as necessary. It is imperative that the control compartment, burners, and circulating air passageways of the appliance are kept clean.**
- Do not store or use gasoline or other flammable vapors or liquids within 25 ft (7.62 m) of this fireplace or any other appliance.
- Do not store combustible materials in the fireplace enclosure.
- Be sure to protect the hose and its components from any hot surfaces. It is dangerous to allow the hose to come into contact with any hot surface.
- Use only the natural gas hose and quick connect assembly provided. The replacement NG hose and quick connect assembly shall be that specified by the manufacturer.
- Do not attempt to disconnect natural gas hose or quick connect socket from the main gas supply or any gas fitting while the outdoor fireplace is in use.
- Always shut off gas at the shut-off valve and disconnect the quick connect socket from the main gas supply when the fireplace is not in use.
- Keep all parts of the fireplace clean including the burner and hose assembly. For more information on cleaning your fireplace please refer to the “Care and Cleaning” section of this manual.
- Do not use this fireplace if any part has been under water. Immediately call a qualified service technician to inspect the fireplace and replace any part of the system that has been under water.
- Do not use this fireplace for cooking.
- Do not pour water into the fireplace.
- Do not attempt to move or store this fireplace until all parts are cool.
- Always shut off the gas supply at the source and disconnect the hose when the fireplace is not in use.
- Any alteration of this fireplace that is not specifically directed in the owner’s manual will void the manufacturer’s warranty. This includes the use of unapproved filler materials.

IMPORTANT SAFETY INFORMATION

Installation Warnings

- Minimum clearance from the fireplace to combustible materials is 48 inches (121.9 cm) on all sides. Do not place this fireplace under any overhead structure or vegetation.
- The normal inlet pressure for this fireplace is 7.0" W.C. (1.74 kPa). Maximum inlet pressure is 10.5" W.C. (2.61 kPa). Minimum inlet pressure is 7.0" W.C. (1.74 kPa).
- A fireplace with a connection to a fixed piping system must conform with local codes, or in the absence of local codes with *The National Fuel Gas Code, ANSI Z223.1/NFPA 54, or International Fuel Gas Code*.
- Do not remove the feet from this fireplace.
- Do not place the fireplace on anything that blocks or seals the gap between the fireplace and the ground.
- Do not permanently secure the fireplace in any way or to any surfaces.
- Do not bury the hose. You must be able to visually inspect the hose for damage before each use.
- The hose could be damaged if it touches hot surfaces.

Set Up Warnings

- Prior to each operation, check the hose assembly for evidence of excessive abrasion, wear or damage. Use a handheld mirror, if necessary, to see the hose sections located below the unit.
- If the hose assembly is damaged, cracked, or cut, it must be replaced before using the fireplace. The hose assembly must be replaced with a hose assembly specified by Real Flame. Please contact Real Flame Customer Service at 1-800-654-1704 for assistance.
- Place the hose out of the pathways where people may trip over it. Do not place the hose in areas where it may be accidentally damaged.
- Before each use, examine the burner and its components for dirt and debris. If cleaning is required, use a pipe cleaning brush and compressed air. Also examine the area around the burner. Any dirt or foreign material, such as spider webs, nests, leaves, etc., should be removed. If it is evident that the burner is damaged, the fireplace must not be used, and the burner assembly must be replaced. Please contact Real Flame Customer Service at 1-800-654-1704 for support.

In-Use Warnings

- NEVER LEAVE this fireplace unattended when in use.
- Do not burn solid fuels, such as charcoal briquettes, lump charcoal, manufactured logs, trash, leaves paper, cardboard, any type of natural or treated wood, or any other materials in this fireplace.
- The use of alcohol, prescription or non-prescription drugs may impair your ability to safely operate this fireplace.
- Always use in accordance with all applicable local, state, and national codes. Contact your local fire department for details on outdoor burning.
- Do not use in windy conditions. High winds may cause the flame to extinguish.
- Some surfaces of this fireplace may become hot during use. Be careful and do not touch surfaces until the unit has cooled.
- Do not attempt to disconnect the gas supply from the fireplace when the unit is in use.
- Do not sit on the fireplace.

NATURAL GAS (NG) DANGERS AND WARNINGS

⚠ DANGER

This outdoor fireplace is for use with natural gas only. The conversion to or attempted use of liquid propane in this outdoor fireplace is dangerous and could result in property damage, serious injury, or death.

⚠ WARNING

Natural gas is flammable and hazardous if handled improperly. Become aware of its characteristics before using any natural gas product. Failure to understand and follow these warnings or any directions and warnings provided by your gas supplier may result in property damage, serious injury, or death.

⚠ CAUTION

During any pressure testing of the gas supply piping system at test pressures equal to or in excess of 1/2 psi (3.5 kPa) the fireplace and its individual shut-off valve must be disconnected from the gas supply piping system.

⚠ WARNING

Burner valves are pre-tested at the factory to operate on natural gas. Do not attempt to convert or change.

Natural Gas Characteristics

- Natural gas is flammable, explosive under pressure, lighter than air, and collects in high areas. Collected gas may ignite causing a fire or explosion which could cause property damage, serious injury, or death.
- In its natural state, natural gas has no odor. For your safety, a scent has been added.
- Direct contact with natural gas can burn your skin.
- Natural gas is extremely flammable and hazardous if handled improperly.

Natural Gas Information

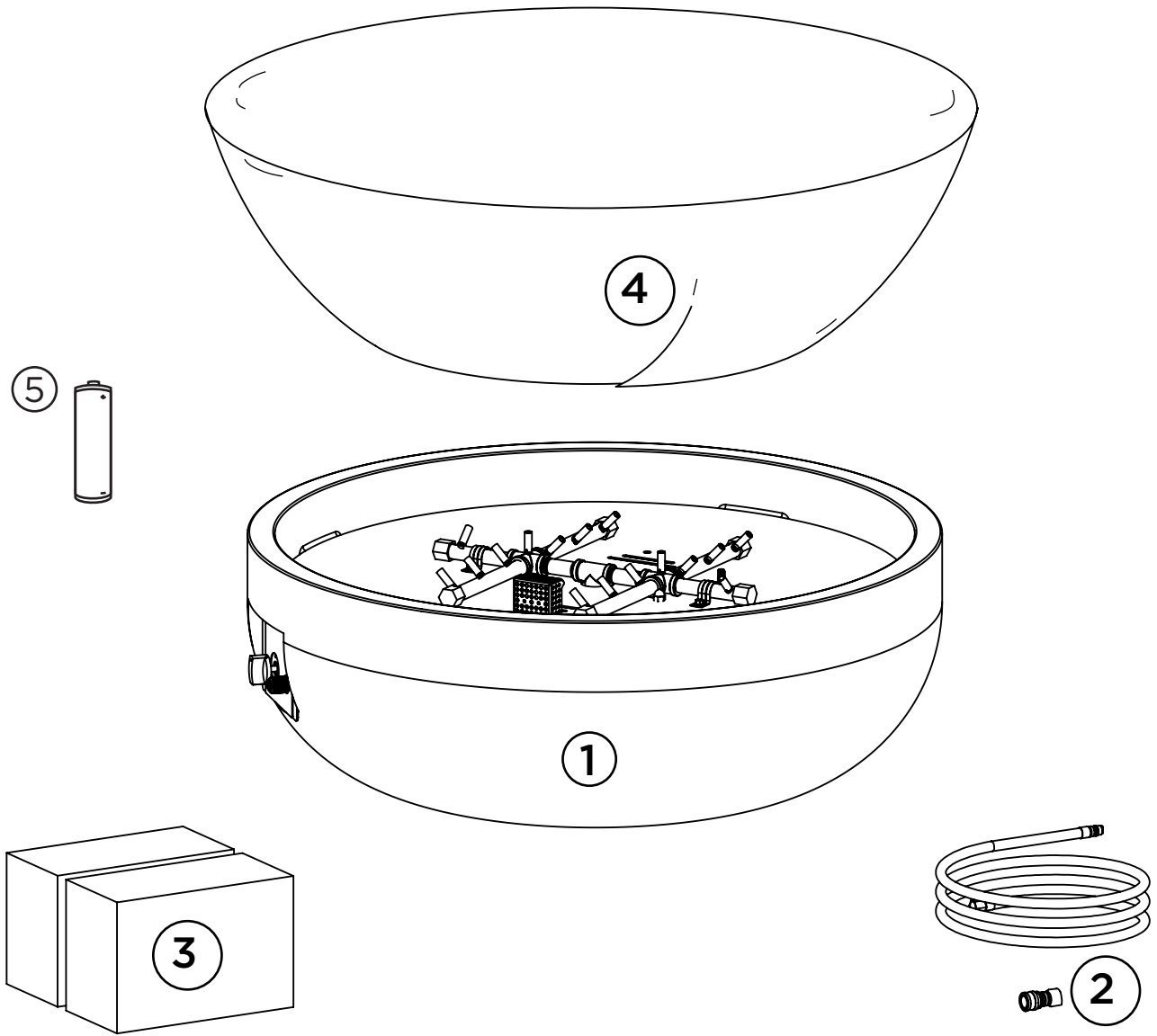
- This natural gas fireplace is designed to operate on natural gas only at a pressure of 7" W.C. (1.74 kPa).
- Check with your local gas provider for local gas pressure, because in some areas natural gas pressure varies.

Natural Gas Connection

- It is recommended that an ON/OFF manual shut-off valve be installed outdoors at the gas supply source after the gas line exits the outside wall or before the gas line enters the ground, and before the quick connect.
- When making a connection, sealing compound or pipe thread tape of the type resistant to the action of natural gas must be applied on 3 to 4 threads of all male pipe threads.
- Connect the end of the natural gas hose with the quick release connector to the manual shut-off valve at the gas supply.

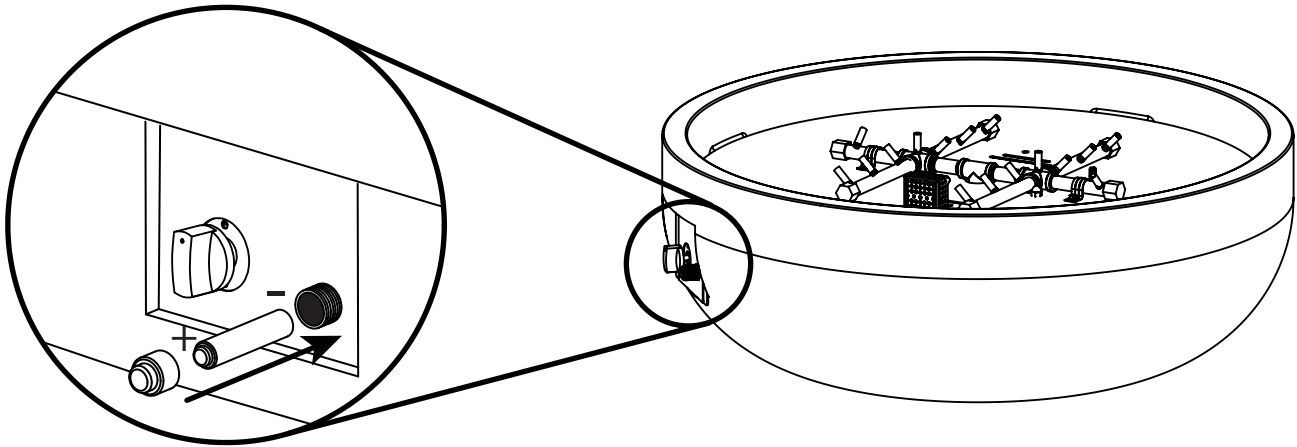
PARTS LIST

ITEM	JCo NUMBER	QUANTITY
① Fire Bowl Body	N/A	1
② NG Hose and Quick Connect Socket	115029602	1
③ Black Lava Rock	100240120J	2
④ Protective Cover	0302A000	1
⑤ AA Battery	N/A	1



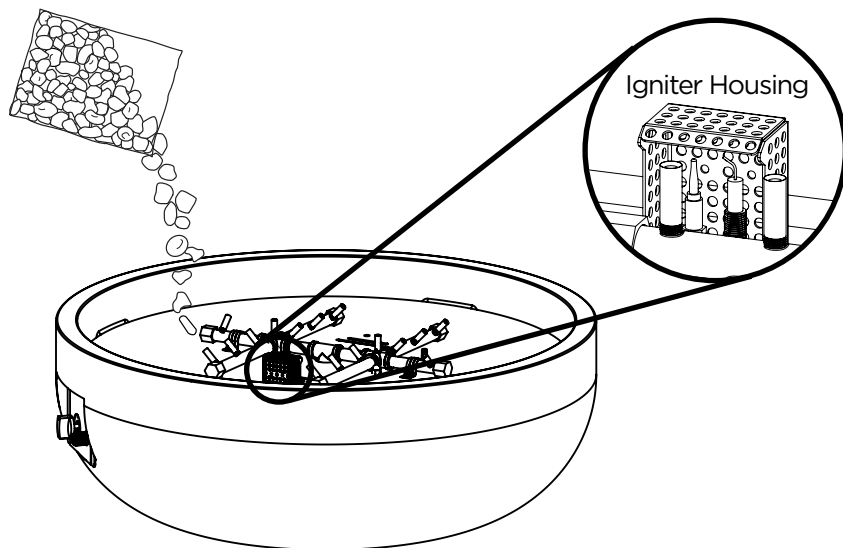
ASSEMBLY INSTRUCTIONS

1. Install the AA battery as shown in the diagram below.



2. Place the filler material into the burner pan by hand. To avoid clogging the burner with dust do not dump the bag into the burner pan. Position the filler across the burner pan to a level that is .5 inches (1.27 cm) above the burner tube. Make sure you do not block the igniter housing with the filler material to ensure proper ignition and operation.

If using glass filler, Real Flame suggests first placing a layer of lava rock in the burner pan to improve airflow.



Filler Material Warning

- Do not overfill the burner area with rock or glass filler; use only the specified amount. The depth of the filler should not be more than .5 inches (1.27 cm) above the burner tube. Only Real Flame filler products have been certified and tested for safe use with this Real Flame fireplace. Using other filler material may result in increased popping and cracking or increased carbon monoxide emissions.
- Do not light or use this fireplace if the filler is wet. Ensure filler is completely dry before lighting. Intense heat can cause wet filler to explode and hit someone causing property damage, serious injury, or death.
- Keep away from the fireplace for at least 20 minutes during initial start-up as filler could retain moisture from manufacturing and shipping.

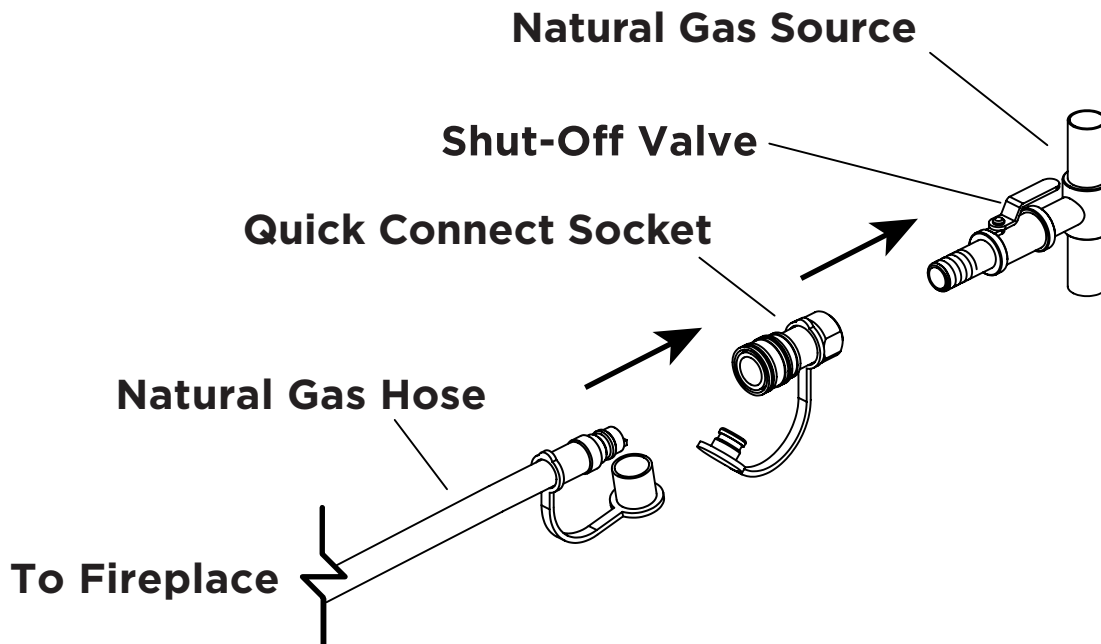
ASSEMBLY INSTRUCTIONS

2. Connect the fireplace to the natural gas source:

A professionally installed shut-off valve between the supply piping and the socket is recommended by the *National Fuel Gas Code*, and must be used for the fireplace. A professional gas technician or plumber must make sure that your gas system is capable of providing the correct amount of gas at the correct pressure for your fireplace to operate safely and correctly.

The quick connect socket connection must be made outdoors. The diagram below shows the main components of a standard natural gas connection.

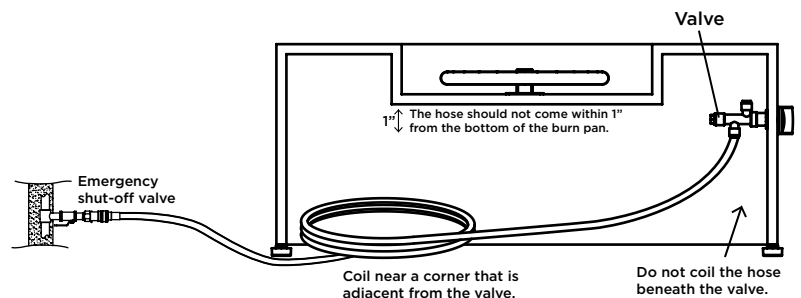
If the socket connection is below the fireplace, no part of the hose may contact the side panels or base panel of the burner area when the fireplace is in its normal operating position.



⚠ WARNING

If the table is installed with a portion of the hose under the table, the hose must be secured, so that no part of the hose will be within 1" or come in contact with the underside of the burn pan or where the hose will not be accidentally damaged or pinched.

Failure to secure the hose in a safe location may result in a gas leak that could cause property damage, injury, or death. Follow all other hose inspection instructions listed in this manual.

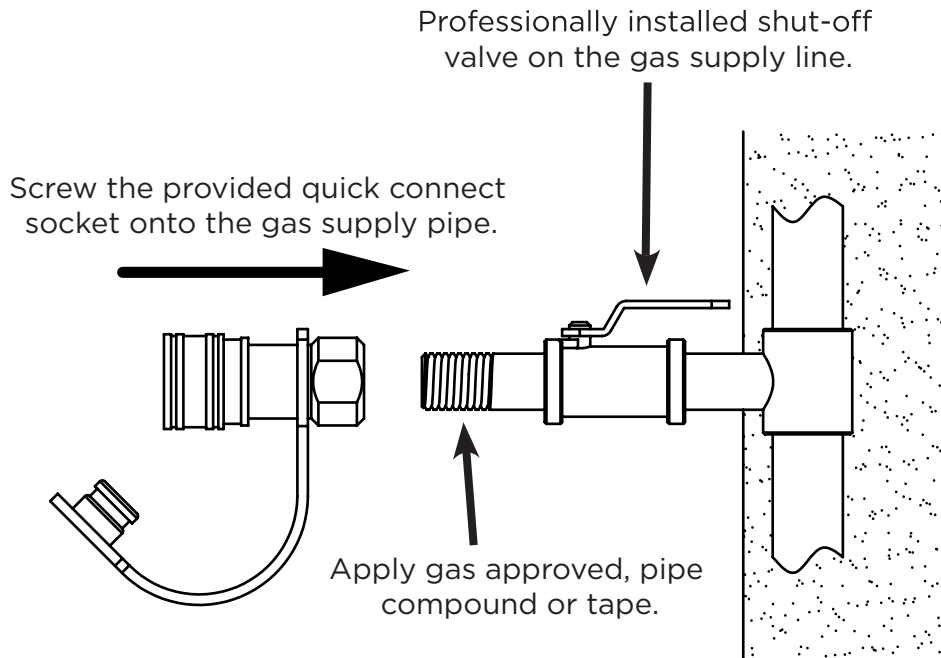


ASSEMBLY INSTRUCTIONS

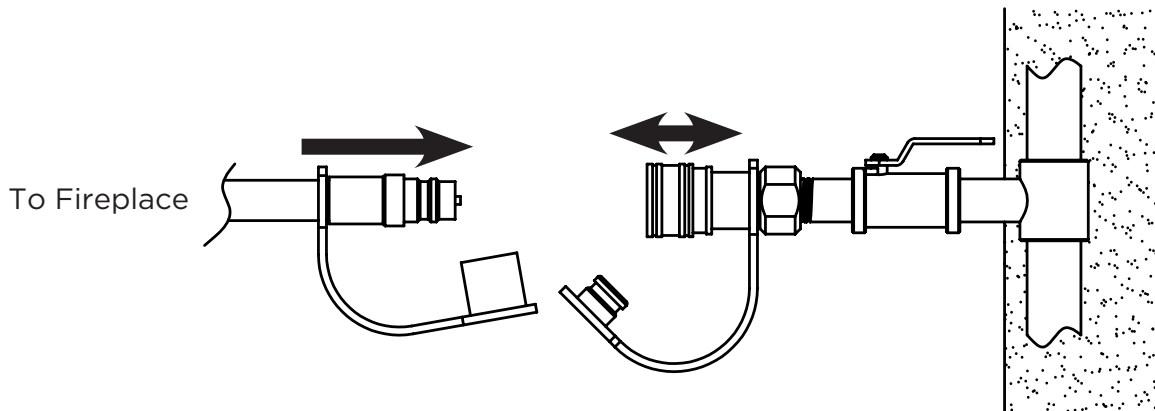
3. Install the quick connect socket:

Coat the gas supply threading with gas approved pipe compound or tape. Screw the quick connect socket included with the fireplace onto the gas supply pipe.

The quick connect should not be permanently attached to the gas hose on the fireplace. The direction of the gas flow is indicated on the socket.



Using one hand, pull back the sleeve on the quick connect socket and with the other hand, insert the unattached end of the fireplace gas hose into the socket. Release the sleeve and continue pushing the hose into the socket until the sleeve snaps into the locked position.



After making the connection, perform a leak check as described on the next page.

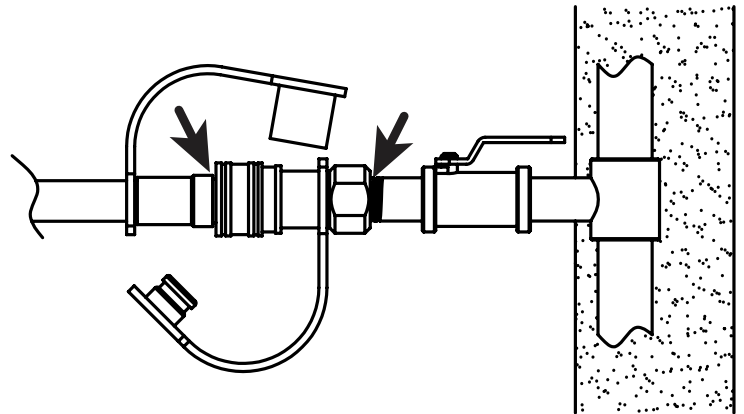
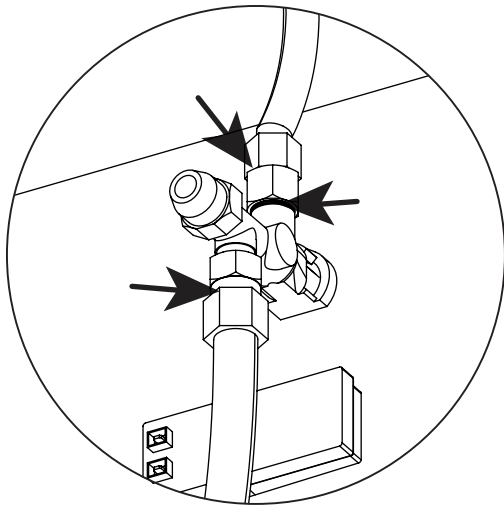
PRE-USE INSTRUCTIONS

⚠ WARNING

Before using this fireplace, make sure you have read, understand, and are following all information provided in this manual. Failure to follow these instructions could cause property damage, serious injury, or death.

Checking for Leaks

1. Make a leak check solution by mixing 1 part dishwashing soap with 3 parts water in a spray bottle.
2. Make sure the control knob on the fireplace is in the “OFF” position, then connect your fireplace to the gas supply line and turn the gas on.
3. Spray the leak solution on the valve connections, paying particular attention to the areas indicated by arrows in the diagrams below.
4. If bubbles appear, shut off the gas supply, disconnect the hose and inspect all connections making sure threads are clear of debris. Reconnect the hose, turn the gas supply on and retest. If you continue to see bubbles, turn the gas supply off, disconnect the hose, and call Real Flame Customer Service at 1-800-654-1704 for assistance.
5. If no bubbles appear after 1 minute, wipe away excess leak solution and proceed to “Lighting Instructions.”

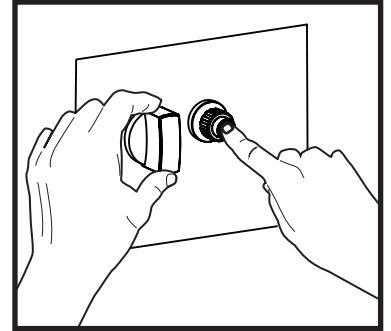


Pay close attention to the areas indicated by the arrows.

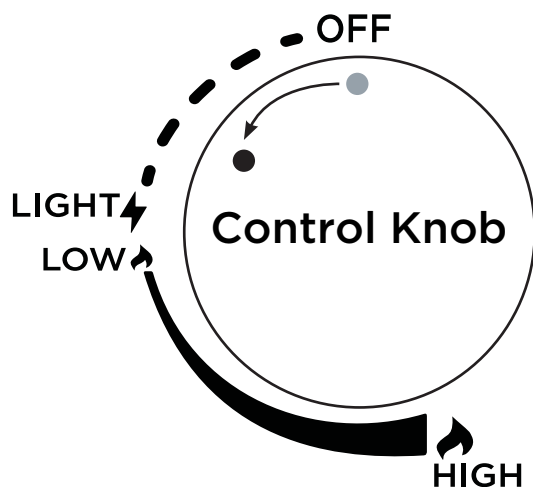
LIGHTING INSTRUCTIONS

Using the Igniter

1. Read and understand all operating instructions before lighting.
2. Before beginning, make sure the control knob is in the "OFF" position.
3. Connect the quick connect hose to the gas supply.
4. Slowly turn the gas on.
5. Prepare to ignite your fireplace by placing one hand on the control knob and one hand on the igniter button (see diagram). DO NOT lean over any part of the burner. Verify that the area around the burner is free of hazards.



6. Push and hold the igniter button. You should hear a clicking sound.
7. While keeping the ignition button depressed, use your other hand to push in and turn the control knob counter-clockwise to the "LIGHT" position.
8. Once the burner ignites, release the igniter button, but continue to keep the control knob pushed in for 15-30 seconds.
WARNING: If ignition does not occur in 30 seconds, turn the control knob to the "OFF" position and turn the gas off at its source. Make sure there is no source of ignition around the fireplace and wait at least 5 minutes until the gas has cleared to repeat the lighting procedure. Failure to do so could result in a large flashback of pooled gas, causing property damage, serious injury, or death.
9. After successfully lighting the fireplace, release the control knob and turn it to the "LOW" setting. Observe the flame and make sure that all the burner ports are lit.
10. Adjust the flame to the desired height using the control knob.



Flame Height



8-14" (20.3-35.5 cm)

Shut-Off Instructions

1. Turn the control knob to the "OFF" position.
2. Turn the gas supply off at the source.

CARE AND CLEANING

Inspecting Your Fireplace

⚠ WARNING

DO NOT inspect, clean, move or store your fireplace until the flames are COMPLETELY out and all parts are cool to the touch.

Your fireplace should be inspected regularly to ensure that it is safe to use and to extend the life of its parts.

Inspect your fireplace:

1. Make sure all parts are securely fastened in place. If a part moves when touched, check its connection points to see if they are loose.
2. Check all connections for leaks using the method described in the “Checking for Leaks” section of this manual.
3. Visually check all components for any signs of damage, rust, or excessive wear.
4. If damage or leaks of any kind are found. DO NOT operate the fireplace until the proper repairs have been made.

⚠ WARNING

DO NOT tamper with this fireplace. This is dangerous and will void the warranty. Repairs and modifications must be approved by Real Flame and completed by a professional gas technician.

This fireplace has been tested and certified by a third party certification agency based on its specific and unique parts. Installing any other parts will void both the certification and the warranty. For approved replacement parts contact Real Flame Customer Service at 1-800-654-1704.

General Care and Cleaning

After repeated use, a slight discoloration or weathering of the fireplace finish may occur. Your fireplace should be cleaned regularly to ensure safe use and extend its life.

General Cleaning

Make a cleaning solution using a mild soap mixed with water. Use a soft cloth to wipe down exterior surfaces and rinse with clean water. Never use oven cleaners or abrasive solvents as these will damage the fireplace.

Burner

The burner should be kept clean to ensure proper operation. Clogged burner ports may be cleared with a paper clip or pin. Debris in the burner tube can be cleaned using compressed air or a pipe cleaning brush.

Soot

After use it is possible for soot to develop on some surfaces. This soot deposit will usually come off with water and mild soap.

Storage

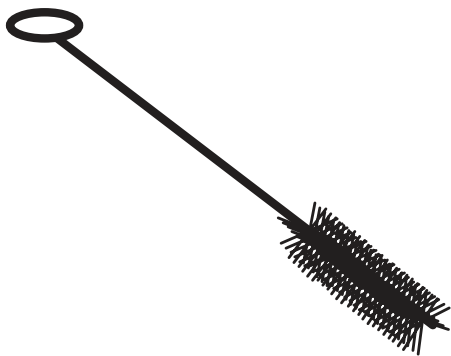
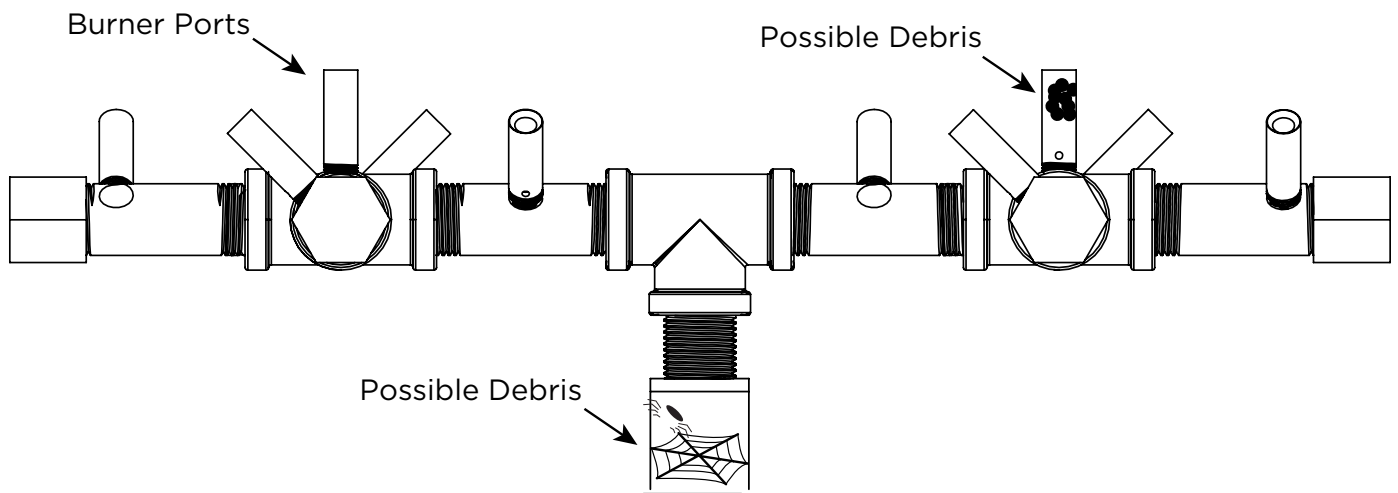
1. Turn the gas supply off at the source. Remove the quick connect hose from the gas supply line and coil for storage under the fireplace.
2. Secure all loose filler material or parts.
3. Cover the fireplace when not in use and do not allow water to pool on the cover surface. Covering the fireplace will help to protect the internal components from dirt and debris and prevent the finish from fading.
4. Store the fireplace in a cool, dry location away from children and pets.

SPIDER AND INSECT WARNING

Spiders or other insects may build webs or nests in your fireplace burner tube which can obstruct or block the flow of gas.

Some of the gas may back up in the burner tube and cause a flashback (a fire in the burner tube or underneath the fireplace), which could result in property damage, serious injury, or death. Check and clean the burner tube periodically using a pipe cleaning brush (shown below) and compressed air available at any hardware store.

**Example of a typical burner tube.
Your exact burner tube may vary.**

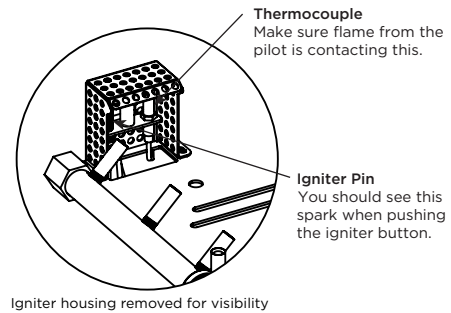


Example of pipe cleaning brush available at local hardware store.

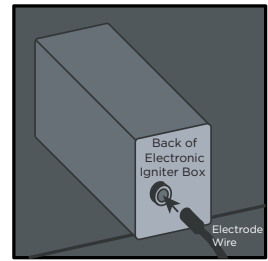
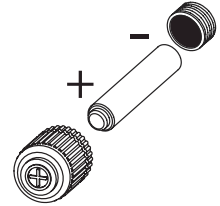
TIPS AND TROUBLESHOOTING

If the Fireplace Will Not Ignite

If the igniter system is working correctly, you should hear a clicking sound while the igniter button is being pushed and you should see a spark inside the igniter housing. If you do not see the spark or hear a clicking sound, please check the following:



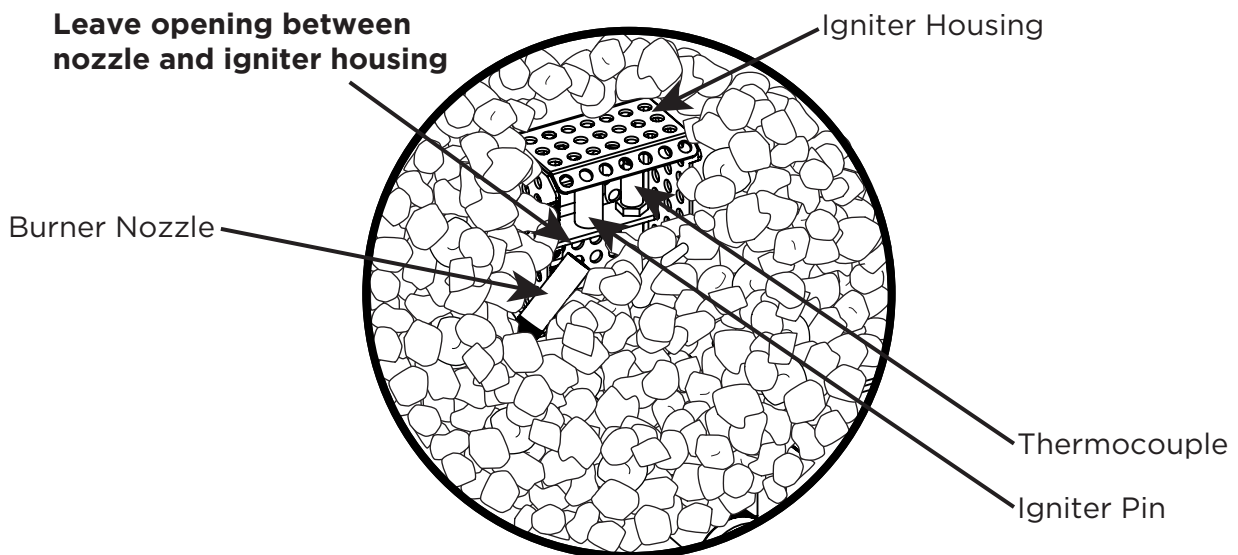
1. Make sure the battery is not dead and that it is installed correctly, with the positive (+) side facing out.
2. If you still do not hear a clicking sound or see a spark in the igniter box, look under the fireplace and make sure that the electrode wire is correctly inserted into the back of the electronic igniter box. While inspecting the electrode wire, make sure that it is not cut or broken in any place. If the wire has been damaged contact Real Flame Customer Service at 1-800-654-1704 for a replacement.



If the Fireplace Will Not Stay Lit

If the fireplace lights, but will not stay lit, or remains lit only for a brief time, please check the following:

1. Make sure that the igniter housing is unobstructed. Clear away any filler material or debris on the housing and make sure there is nothing between the igniter pin and the thermocouple.

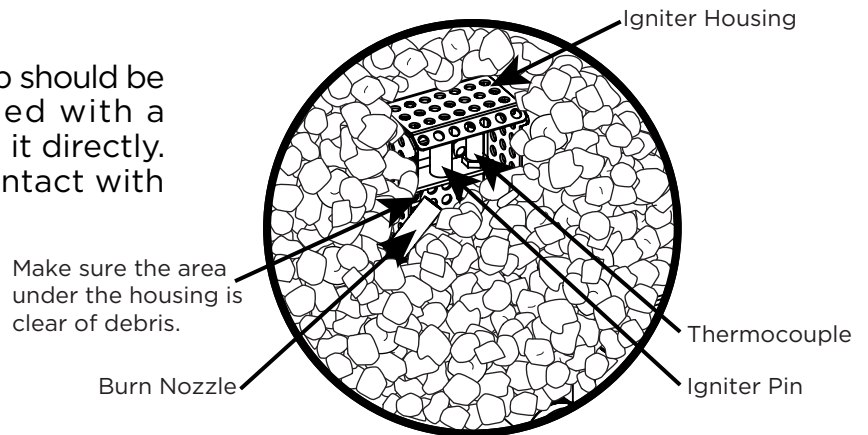


TIPS AND TROUBLESHOOTING

If the Fireplace Will Not Stay Lit (Cont.)

2. Make sure the thermocouple and igniter pin are correctly positioned.

Thermocouple - The thermocouple tip should be located close to the burner, aligned with a burner nozzle so that flames contact it directly. Make sure the flames are making contact with the thermocouple tip.



Damaged Thermocouple

If the igniter housing and the thermocouple tip are clear of debris and the flame is clearly contacting the tip of the thermocouple, but the fireplace will still not stay lit, the thermocouple may be damaged. Look beneath the fireplace and find the copper thermocouple wire coming out of the back of the valve. Examine the length of it for any signs of damage. Sharp bends, kinks or damage can cause the thermocouple to not function correctly. If you find damage to the thermocouple contact Real Flame Customer Service at 1-800-654-1704 for a replacement.

Igniter Pin - The igniter pin is where the spark is generated to ignite your fireplace. Make sure you can see this sparking when the igniter button is pushed. If you do not see a spark please contact Real Flame Customer Service at 1-800-654-1704.

Other Common Problems

Clogged or Obstructed Burner

It is common for bugs, especially spiders, to make webs or nests inside of burner tubes. If it seems like you are getting low or no gas flow, visually check all openings in the burner for signs of clogs. If you see anything clogging the burner try using a pipe cleaning brush and compressed air to remove the debris.

High Winds

High winds may cause the flame to blow out. Do not operate your fireplace in high wind conditions.

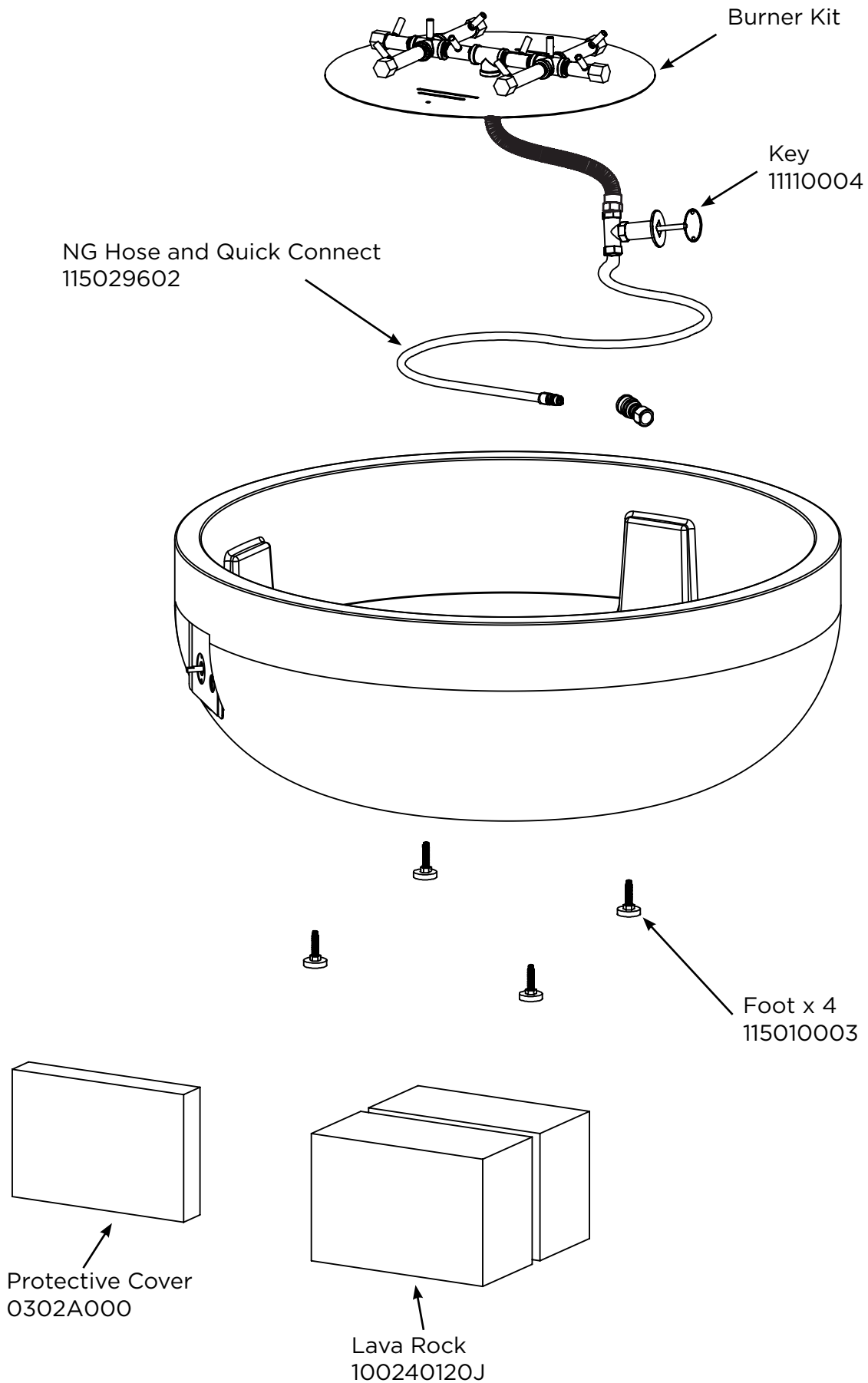
Out of Gas

Verify that the shut-off valve is open.

If you continue to have problems with your fireplace please contact Real Flame Customer Service at 1-800-654-1704.

TECHNICAL PARTS LIST

For replacement parts, contact Jensen Company at 1-800-654-1704.



WARRANTY

JENSEN CO
ESTD 1982

Limited Warranty

Real Flame® warrants that the following components of this Jensen Company fireplace ("the Product") will be free from manufacturing defects in material and workmanship after correct assembly and under normal use and proper maintenance for the periods indicated below, commencing with the date of purchase of the Product:

- The body - 5 year limited warranty.
- The internal components - 2 year limited warranty.
- The burner system - limited lifetime warranty.

This non-transferable warranty extends to the original purchaser only, provided that the purchase was made through an authorized Real Flame dealer. The warranty is also subject to the following conditions and limitations:

This warranty does not extend to damages caused by shipping, improper assembly, installation or storage, installation that does not comply with building codes and ordinances, installation or operation not in accordance with the included manual, abuse, lack of maintenance, hostile environments, accident, natural weather, or unworkmanlike repairs. Modification of the Product, use of fuels other than what is approved by Real Flame, or use of parts installed from other manufacturers will nullify this warranty.

This warranty applies to the functionality of the Product only and does not cover cosmetic issues such as scratches, dents, rust, oxidation, corrosion, areas discolored or cracked due to prolonged exposure to extreme heat, or damage caused by abrasive or chemical cleaners. However, should deterioration of parts occur to the degree of non-performance within the duration of the warranty period, Real Flame will provide a replacement part.

Real Flame requires reasonable proof of your date of purchase. Therefore, you should retain your sales receipt and/or invoice. Defective parts subject to this warranty will not be replaced without proof of purchase.

Real Flame must have the opportunity to verify the alleged defect. In order for any internal components to be covered under warranty, Real Flame requires the user to troubleshoot with a Real Flame Customer Service member to ensure proper operation and diagnosis of issue.

In the event of covered defects in warranted items, Real Flame will, at its sole option and discretion, replace the defective component, replace the Product or refund the purchase price. Real Flame is not responsible for the installation, labor or any other costs associated with the reinstallation. The foregoing is the exclusive remedy under the terms of this limited warranty. Real Flame will not be responsible for any incidental or consequential damages caused by defects in the Product. Some states do not allow the exclusion or limitation of incidental or consequential damages, so the above limitation or exclusion may not apply to you.

This limited warranty is the sole express warranty given by Real Flame. The duration of any implied warranty arising under the laws of any state, including implied warranty of merchantability or fitness for a particular purpose or use, is limited to the duration of the warranty specified above. Some states do not allow limitations on how long an implied warranty lasts, so this limitation may not apply to you.

This warranty gives you specific legal rights, and you may also have other rights which vary from State to State.

For warranty service:

1. Call Real Flame Customer Service at 1-800-654-1704 for technical support and troubleshooting.
2. If experiencing issues with finish, please fill out the 'Outdoor Warranty Claim' form at www.realflame.com.

RETURN POLICY

Return Policy

You may return your purchase within 90 days of receipt. No refunds will be issued for incomplete or unauthorized returns. All returned products must be 100% complete, adequately packaged in original packaging and in resalable condition. Products that have been assembled or modified will not be eligible for return. All items must be returned in their entirety, meaning all items included must be returned together. No returns or exchanges on discontinued items. Please begin the return process by contacting the store or company where you bought your Real Flame® item.

Replacement Parts

In the event that an item has been lost or damaged, either by the manufacturer or in shipping, you may request a replacement. Replacement parts are not available for all units and only given at Real Flame's discretion. We will assess any damage and find a solution, which could include shipping you a replacement. No replacements are available for discontinued items or repackaged (open box) products. Please call Real Flame Customer Service at 1-800-654-1704 for replacement parts before returning the damaged item. Please have the following information (which can be found in your instruction manual) ready before you call Customer Service:

- Model number of item
- 4-8 digit part number
- Lot code number
- Shipping address
- A picture of the damaged item may be requested. Pictures should be sent to csrep@realflame.com

Incorrect Order Received

If you received something other than what you ordered, please contact Real Flame Customer Service at 1-800-654-1704 within 48 hours of receiving the item.

Refer to www.realflame.com for our complete return guidelines and policies.

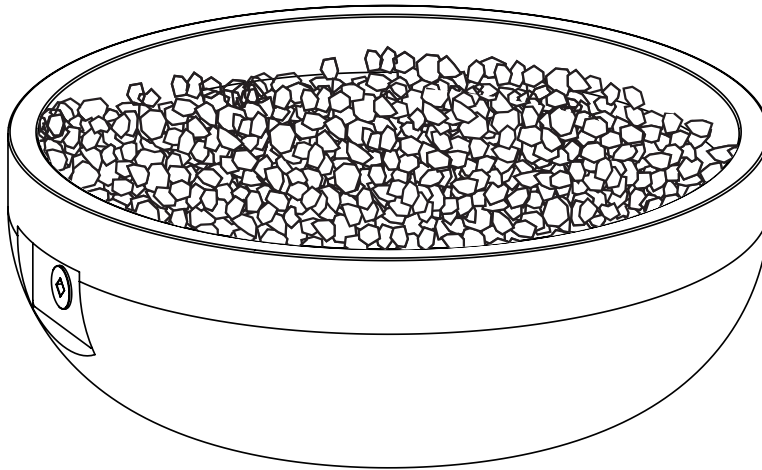
Please register your fireplace for recall notifications, proof of ownership and quality assurance at <https://www.realflame.com/registration>.

Real Flame®
7800 Northwestern Ave.
Racine, WI 53406
USA

Customer Service: 1-800-654-1704 in USA
Service à la clientèle: 1-800-363-6443 in Canada
csrep@realflame.com

JENSEN CO

ESTD 1982



302NG 48" Fire Bowl Owner's Manual

⚠ DANGER

RISQUE DE MONOXYDE DE CARBONE

Cet appareil peut produire du monoxyde de carbone qui n'a pas d'odeur. Son utilisation dans un espace clos peut vous tuer. Ne jamais utiliser cet appareil dans un espace clos tel qu'une caravane, une tente, une voiture ou une maison.



⚠ DANGER

RISQUES D'INCENDIE ET D'EXPLOSION

En cas de présence d'odeur de gaz :

- Couper l'alimentation en gaz vers l'appareil.
- Éteindre toute flamme nue.
- Si l'odeur persiste, quitter immédiatement l'endroit.
- Après avoir quitté les lieux, appeler votre fournisseur de gaz ou le service d'incendie. Si ces précautions ne sont pas respectées, cela pourrait provoquer un incendie ou une explosion, pouvant causer des dommages matériels, des blessures ou la mort.

⚠ AVERTISSEMENT : USAGE EXTÉRIEUR UNIQUEMENT.

L'installation et l'entretien doivent être effectués par un installateur qualifié, un service d'entretien ou le fournisseur de gaz.

INSTALLATEUR : Laisser ce manuel avec l'appareil.
CONSUMMATEUR : Conserver ce manuel pour référence future.

⚠ AVERTISSEMENT : Si les informations contenues dans ce manuel ne sont pas suivies à la lettre, un incendie ou une explosion pourrait survenir et entraîner des dommages matériels, des blessures graves ou la mort.

⚠ AVERTISSEMENT : Ne pas entreposer et ne pas utiliser d'essence ou d'autres liquides ou vapeurs inflammables à proximité de cet appareil ou de tout autre appareil. Un réservoir de GPL non raccordé pour être utilisé ne doit pas être entreposé à proximité de cet appareil ou de tout autre appareil.



TABLE DES MATIÈRES

Informations importantes sur la sécurité	3
Dangers et avertissements concernant le gaz naturel (GN)	5
Liste des pièces	6
Instructions d'assemblage	7
Instructions avant l'utilisation	10
Instructions d'allumage	11
Entretien et nettoyage	12
Avertissement concernant les araignées et les insectes	13
Conseils et dépannage	14
Liste des pièces techniques	16
Garantie et	17
Politiques de retour	18

SPÉCIFICATIONS

Nom du produit 48" Firebowl	Type de gaz Gaz naturel (GN)
N° de modèle 302NG	Approvisionnement en gaz Approvisionnement en gaz
Puissance thermique nominale 85,000 BTU/h	Système GN installé professionnellement

ATTENTION

Veuillez enregistrer votre foyer pour recevoir les notifications de rappel, les preuves de propriété et l'assurance qualité à l'adresse <https://www.realflame.com/registration>.

INFORMATIONS IMPORTANTES SUR LA SÉCURITÉ

Avertissements généraux

- **Les enfants et les adultes doivent être informés des risques de températures de surface élevées et doivent rester éloignés pour éviter les brûlures ou que leurs vêtements prennent feu.**
- **Les jeunes enfants devraient être soigneusement surveillés autour du foyer.**
- **Les vêtements ou autres matériaux inflammables ne doivent pas être accrochés au foyer ou placés sur ou à proximité de l'appareil.**
- **Toute protection ou autre dispositif de protection retiré pour l'entretien du foyer doit être remplacé avant d'utiliser l'appareil.**
- **L'installation et l'entretien doivent être effectués par un service d'entretien qualifié ou le fournisseur de gaz. Real Flame recommande d'utiliser des professionnels certifiés aux États-Unis par le National Fireplace Institute® (NFI) en tant que Spécialistes NFI du Gaz.**
- **Un nettoyage plus fréquent peut être nécessaire. Il est impératif que le compartiment de commande, les brûleurs et les passages de circulation d'air de l'appareil soient maintenus propres.**
- Ne pas entreposer et ne pas utiliser d'essence ou d'autres liquides ou vapeurs inflammables à moins de 7,62 m (25 pi) de cet appareil ou de tout autre appareil.
- Ne pas ranger de matériaux combustibles dans le boîtier du foyer.
- S'assurer de protéger le tuyau et ses composants de toutes surfaces chaudes. Il est dangereux de laisser le tuyau entrer en contact avec une surface chaude.
- N'utiliser que le tuyau de gaz naturel et le raccord rapide fournis. Le tuyau de gaz naturel et la prise de connexion rapide de rechange doivent être ceux spécifiés par le fabricant.
- Ne pas essayer de débrancher le tuyau de gaz naturel ou la prise de connexion rapide de l'alimentation en gaz principale lorsque l'appareil est en marche.
- Toujours couper l'alimentation en gaz à la vanne d'arrêt et débrancher la prise de connexion rapide de l'alimentation en gaz principale lorsque l'appareil est en marche.
- Conserver toutes les parties du foyer propres, y compris le brûleur et le tuyau. Pour plus d'informations sur le nettoyage du foyer, consulter la section Entretien et nettoyage de ce manuel.
- Ne pas utiliser ce foyer si une pièce a été submergée. Appeler immédiatement un technicien de service qualifié pour inspecter l'appareil et remplacer toute pièce du système qui a été submergée.
- Ne pas utiliser ce foyer pour la cuisson.
- Ne pas verser d'eau dans le foyer.
- Ne pas essayer de déplacer ou de ranger ce foyer jusqu'à ce que toutes les pièces soient froides.
- Toujours couper l'alimentation en gaz à la source et débrancher le tuyau lorsque le foyer n'est pas utilisé.
- Toute modification de ce foyer qui n'est pas spécifiée dans le manuel du propriétaire annulera la garantie du fabricant. Cela comprend l'utilisation de matériaux de remplissage non approuvés.

INFORMATIONS IMPORTANTES SUR LA SÉCURITÉ

Avertissements d'installation

- Distance minimale de l'unité aux matériaux combustibles : 121,9 cm (48 po) de tous les côtés. Ne pas placer ce foyer sous aucune structure suspendue ou végétation.
- La pression d'entrée normale pour ce foyer est de 7,0 po W.C. (1,74 kPa). La pression d'entrée maximale est de 10,5 po W.C. (2,61 kPa). La pression d'entrée minimale est de 7,0 po W.C. (0,87 kPa).
- Un foyer connecté aux tuyauteries de gaz fixes doit se conformer aux codes locaux ou, en l'absence de tels codes, au Code national du gaz combustible (*National Fuel Gas Code*), ANSI Z223.1 / NFPA 54 ou le Code international du gaz combustible.
- Ne pas retirer les pieds du foyer.
- Ne pas placer le foyer sur tout ce qui bloque ou scelle l'espace entre le foyer et le sol.
- Ne pas fixer en permanence le foyer de quelque manière que ce soit ou à aucune surface.
- Ne pas enterrer le tuyau. Il faut pouvoir inspecter visuellement le tuyau avant chaque utilisation.
- Le tuyau pourrait être endommagé s'il touche des surfaces chaudes.

Avertissements de préparation

- Avant chaque fonctionnement, vérifier le tuyau pour s'assurer qu'il n'y a pas d'abrasion, d'usure ou de dommage. Utiliser un miroir portatif, si nécessaire, pour voir les sections de tuyau situées sous l'appareil.
- Si le tuyau flexible est endommagé, fissuré ou coupé, il doit être remplacé avant d'utiliser le foyer. Le tuyau doit être remplacé par un tuyau spécifié par Real Flame. Contacter le service à la clientèle Real Flame au 1-800-654-1704 pour obtenir de l'assistance.
- Placer le tuyau hors des sentiers où les gens risquent de trébucher. Ne pas placer le tuyau dans les endroits où il risque d'être endommagé accidentellement.
- Avant chaque utilisation, examiner le brûleur et ses composants pour la présence de saleté et de débris. Si le nettoyage est nécessaire, utiliser une brosse à tuyau et de l'air comprimé. Examiner également la zone autour du brûleur. Toutes saletés ou matières étrangères telle que les toiles d'araignées, les nids, les feuilles, etc., doivent être enlevées. S'il est évident que le brûleur est endommagé, le foyer ne doit pas être utilisé et le brûleur doit être remplacé. Contacter le service à la clientèle Real Flame au 1-800-654-1704 pour obtenir de l'assistance.

Avertissements lors de l'utilisation

- NE JAMAIS LAISSER ce foyer sans surveillance lorsqu'il est en cours d'utilisation.
- Ne pas brûler de combustibles solides, tels que briquettes de charbon de bois, charbon de bois en bloc, bûches de papier, rebut, feuilles, papier, carton, bois naturel ou traité, ou tout autre matériau dans ce foyer.
- La consommation d'alcool, de médicaments sur ordonnance ou en vente libre peut nuire à la capacité d'utiliser ce foyer de façon sécuritaire.
- Toujours utiliser conformément à tous les codes locaux, provinciaux et nationaux applicables. Contacter le service d'incendie local pour plus de détails concernant les feux extérieurs.
- Ne pas utiliser dans des conditions venteuses. Des vents forts peuvent éteindre la flamme.
- Certaines surfaces de ce foyer peuvent devenir chaudes pendant l'utilisation. Faire attention et ne pas toucher les surfaces jusqu'à ce que l'appareil soit refroidi.
- Ne pas essayer de débrancher l'alimentation en gaz du foyer lorsque l'appareil est en marche.
- Ne pas s'asseoir sur le foyer.

DANGERS ET AVERTISSEMENTS CONCERNANT LE GAZ NATUREL (GN)

⚠ DANGER

Ce foyer extérieur est pour une utilisation avec le gaz naturel uniquement. La conversion ou la tentative d'utilisation de propane liquide dans ce foyer extérieur est dangereuse et peut entraîner des dommages matériels, des blessures graves ou la mort.

⚠ AVERTISSEMENT

Le gaz naturel est inflammable et dangereux s'il n'est pas manipulé correctement. Prendre conscience de ses caractéristiques avant d'utiliser tout produit à base de gaz naturel. Le non-respect de ces avertissements ou de ces instructions fournis par le fournisseur de gaz, peut entraîner des dommages matériels, des blessures graves ou la mort.

⚠ ATTENTION

Pendant tout test à haute pression du système de tuyauterie d'alimentation en gaz à des pressions de test supérieures à ½ psi (3,5 kPa), le foyer et son robinet d'arrêt individuel doivent être déconnectés du système de tuyauterie d'alimentation en gaz.

⚠ AVERTISSEMENT

Les vannes des brûleurs sont pré-testées en usine pour fonctionner au gaz naturel. Ne pas essayer de les convertir ou de les changer.

Caractéristiques du gaz naturel _____

- Le gaz naturel est inflammable, explosif sous pression, plus léger que l'air et s'accumule dans les zones hautes. Le gaz accumulé peut s'enflammer en provoquant un incendie ou une explosion qui pourrait causer des dommages matériels, des blessures ou la mort.
- Dans son état naturel, le gaz naturel n'a pas d'odeur. Pour la sécurité, une odeur y a été ajoutée.
- Le contact direct avec du gaz naturel pourrait brûler la peau.
- Le gaz naturel est extrêmement inflammable et dangereux s'il n'est pas manipulé correctement.

Informations concernant le gaz naturel _____

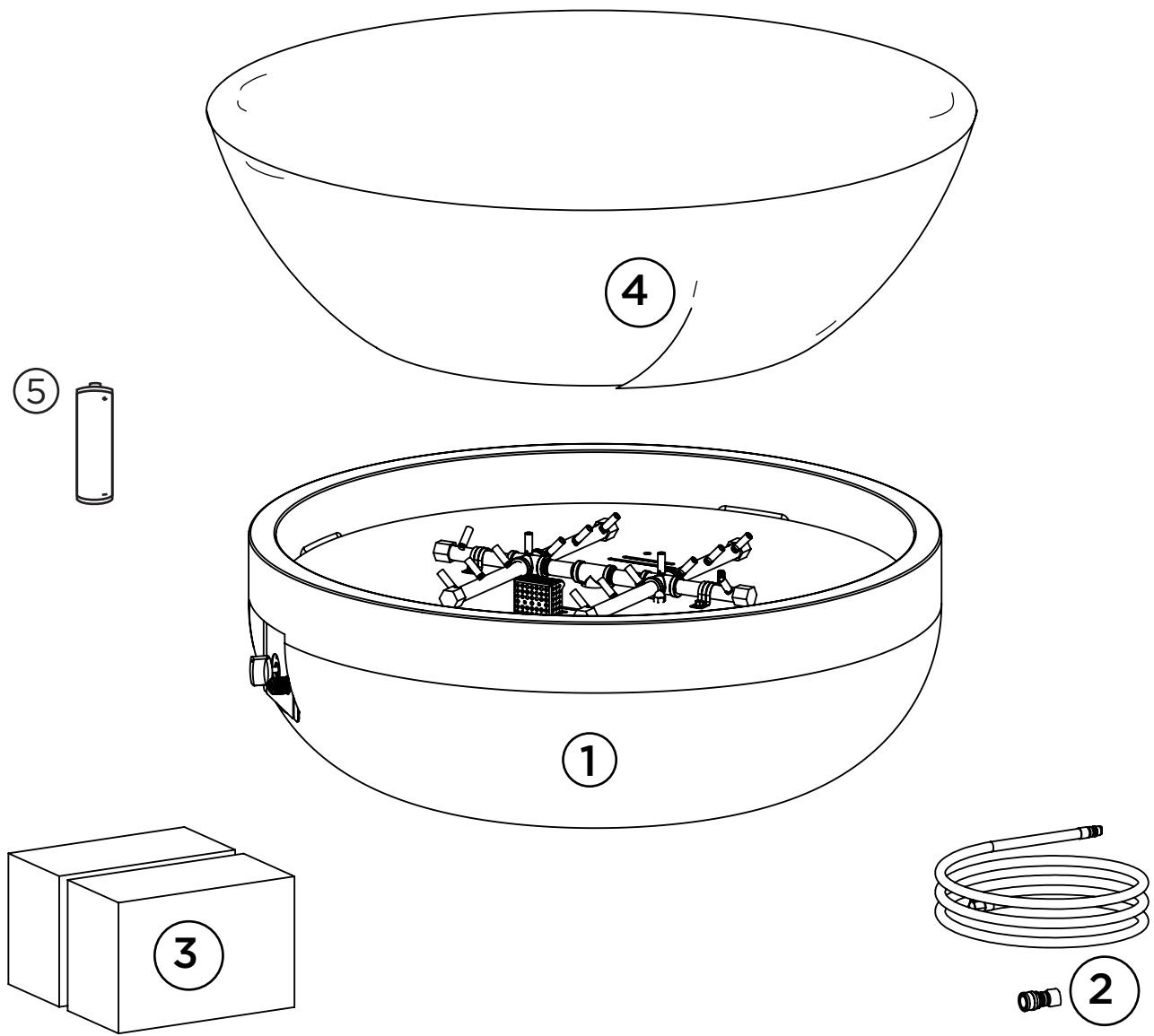
- Ce foyer au gaz naturel est conçu pour fonctionner au gaz naturel uniquement à une pression de 7 po CE (1,74 kPa).
- Vérifier auprès du fournisseur de gaz local la pression de gaz locale, car la pression de gaz naturel varie dans certaines régions.

Connexion pour le gaz naturel _____

- Il est recommandé d'installer une vanne d'arrêt manuelle ON/OFF (MARCHE/ARRÊT) à l'extérieur, à la source d'alimentation en gaz, où la conduite de gaz sort du mur extérieur ou avant que la conduite de gaz ne pénètre dans le sol et avant le raccord rapide.
- Lors de la connexion, un produit d'étanchéité ou du ruban pour filetage de tuyau résistant à l'action du gaz naturel doit être appliqué sur 3 à 4 filets de tous les filets de tuyau mâles.
- Brancher l'extrémité du tuyau de gaz naturel avec le raccord à dégagement rapide sur la vanne d'arrêt manuelle de l'alimentation en gaz.

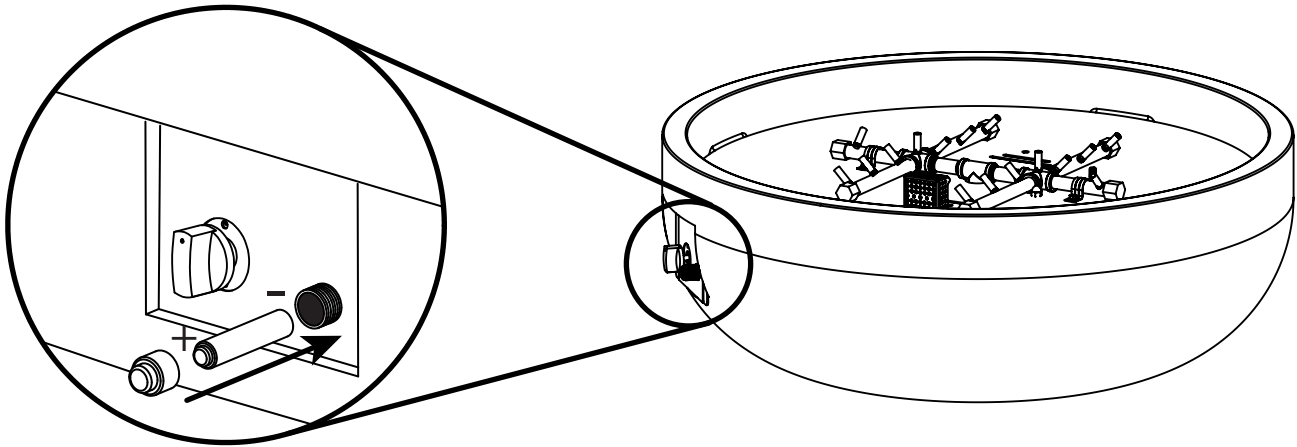
LISTE DES PIÈCES

ITEM	JCo NUMBER	QUANTITY
① Bol de feu	N/A	1
② Tuyau de gaz naturel et raccord rapide	115029602	1
③ Pierre De Lave	100240120J	2
④ Couvercle de Protection	0302A000	1
⑤ Pile AA	N/A	1



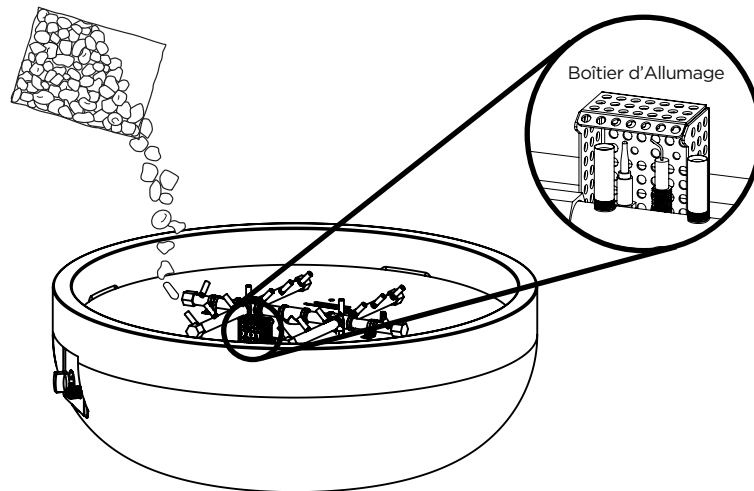
INSTRUCTIONS D'ASSEMBLAGE

1. Installer la pile AA comme indiqué sur le schéma ci-dessous.



2. Placer le matériau de remplissage dans le plateau du brûleur à la main. Ne pas vider le sac sur le plateau du brûleur afin d'éviter de boucher le brûleur avec de la poussière. Placer le matériau de remplissage sur tout le plateau du brûleur jusqu'à 1,27 cm (.5 po) au-dessus du conduit du brûleur. S'assurer de ne pas bloquer le boîtier de l'allumeur avec le matériau de remplissage pour assurer un allumage et un fonctionnement appropriés.

Lors de l'utilisation de verre concassé, Real Flame suggère de placer une couche de pierre volcanique d'abord autour du brûleur puis d'ajouter du verre ensuite pour améliorer l'écoulement d'air.



Avertissement concernant le matériau de remplissage

- Ne pas trop remplir la zone du brûleur avec de la pierre ou du verre concassé; utiliser uniquement la quantité spécifiée. La profondeur du matériau de remplissage ne doit pas être supérieure à 1,27 cm (.5 po) au-dessus de la conduite du brûleur. Seuls les produits de remplissage Real Flame ont été certifiés et testés pour une utilisation sécuritaire avec ce foyer Real Flame. L'utilisation d'un autre matériau de remplissage peut entraîner une augmentation des bruits et des craquements ou des émissions accrues de monoxyde de carbone.
- Ne pas allumer ou ne pas utiliser ce foyer si le matériau de remplissage est humide. S'assurer que le matériau de remplissage est complètement sec avant l'allumage. Une chaleur intense peut provoquer une explosion du matériau de remplissage humide et frapper quelqu'un, causer des dommages matériels, des blessures graves ou la mort.
- Se tenir à l'écart du foyer pendant au moins 20 minutes lors du démarrage initial car le matériau de remplissage pourrait conserver l'humidité de la fabrication et de l'expédition.

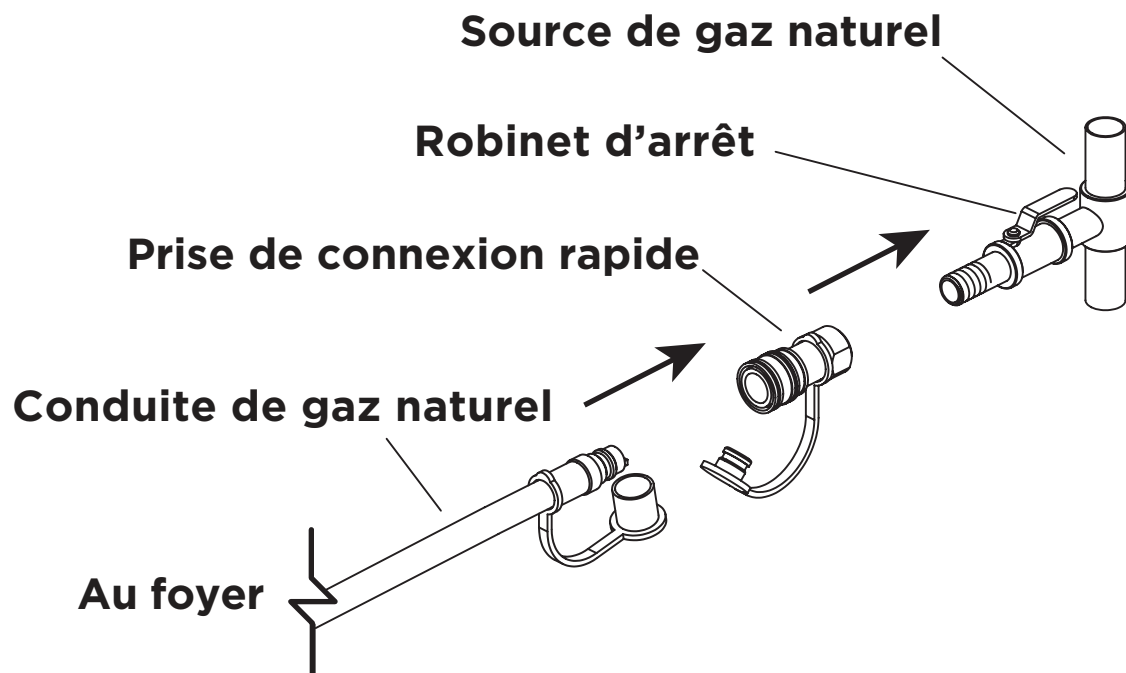
INSTRUCTIONS D'ASSEMBLAGE

2. Brancher le foyer à l'alimentation en gaz naturel:

Une vanne d'arrêt installée par un professionnel entre le tuyau d'alimentation et la prise est recommandé par le *Code national du gaz combustible (National Fuel Gas Code)* et doit être utilisé pour le foyer. Un technicien professionnel en gaz ou un plombier doit s'assurer que le système de gaz est capable de fournir la bonne quantité de gaz à la pression adéquate pour que le foyer fonctionne correctement et en toute sécurité.

La connexion de prise rapide doit être faite à l'extérieur. Le schéma ci-dessous montre les principaux composants d'une connexion standard au gaz naturel.

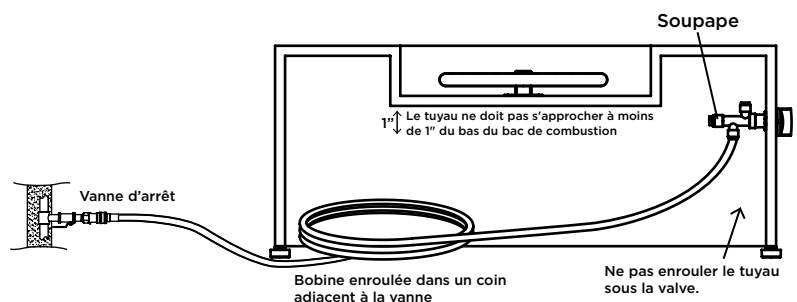
Si la prise est située sous le foyer, aucune partie du tuyau ne doit entrer en contact avec les panneaux latéraux ou le panneau de base du brûleur lorsque le foyer est dans sa position de fonctionnement normale.



⚠ ATTENTION

Si la table est installée avec une partie du tuyau sous la table, le tuyau doit être fixé, de sorte qu'aucune partie du tuyau ne se trouve à moins de 1" ou n'entre en contact avec le dessous du bac de combustion ou positionner-le où il ne peut-être accidentellement endommagé ou pincé.

Ne pas fixer le tuyau dans un endroit sûr peut entraîner une fuite de gaz qui pourrait causer des dommages matériels, des blessures ou la mort. Suivez toutes les autres instructions concernant les tuyaux répertoriées dans ce manuel.

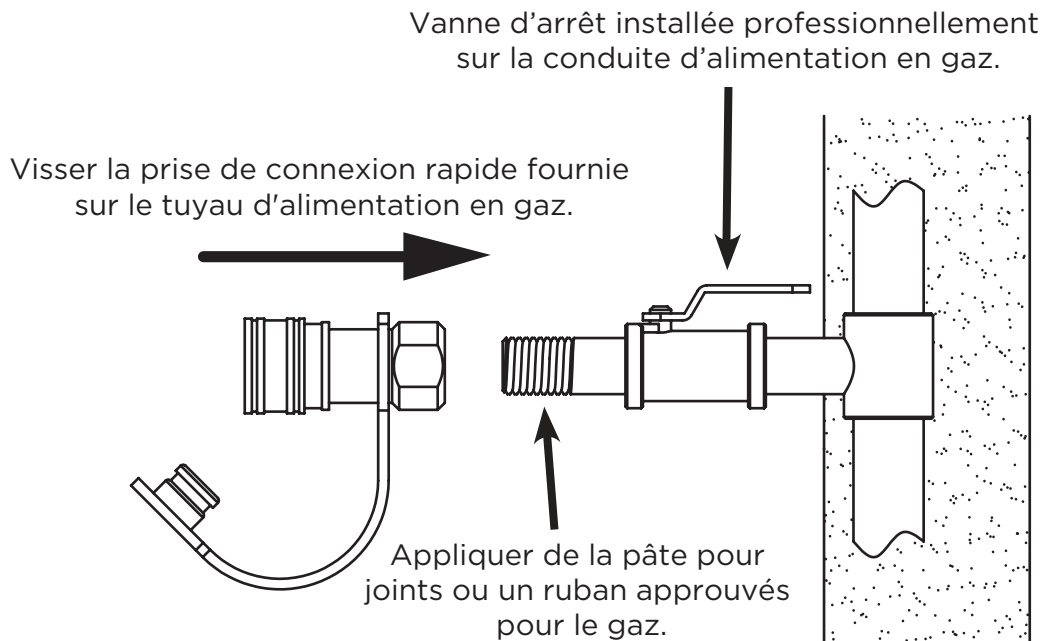


INSTRUCTIONS D'ASSEMBLAGE

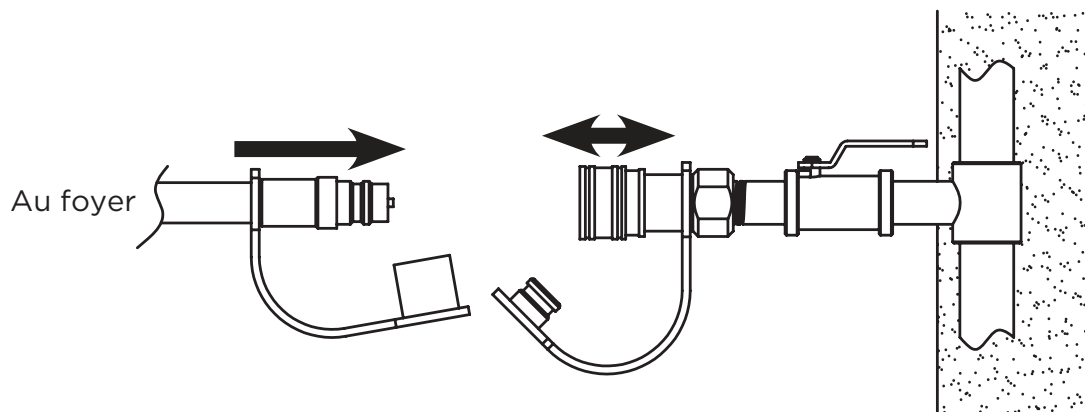
3. Installer la prise de connexion rapide:

Enduire le filetage de l'alimentation en gaz avec une pâte pour joints ou un ruban approuvés pour le gaz. Visser la prise de connexion rapide fournie avec le foyer sur le tuyau d'alimentation en gaz.

Le raccord rapide ne doit pas être attaché de manière permanente au tuyau de gaz sur le foyer. Le sens du flux de gaz est indiqué sur la prise.



À l'aide d'une main, retirer le manchon de la prise à connexion rapide et, de l'autre main, insérer l'extrémité non attachée du tuyau de gaz du foyer dans la prise. Relâcher le manchon et continuer à pousser le tuyau dans la prise jusqu'à ce que le manchon s'enclenche dans la position verrouillée.



Une fois la connexion effectuée, faire un contrôle d'étanchéité (fuites) comme décrit à la page suivante.

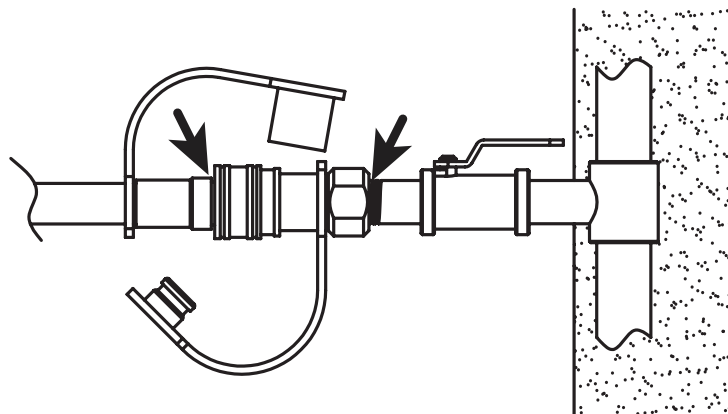
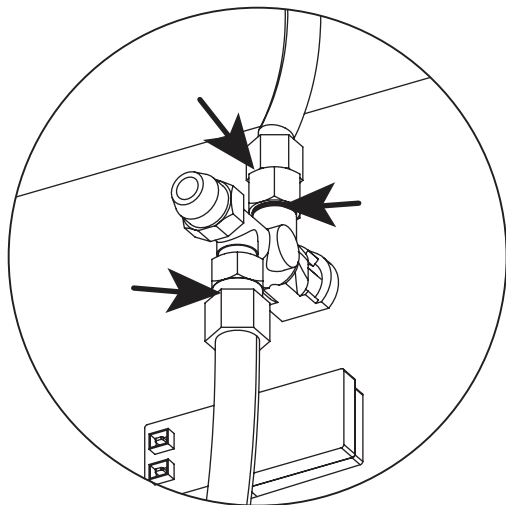
INSTRUCTIONS AVANT L'UTILISATION

⚠ AVERTISSEMENT

Avant d'utiliser ce foyer, s'assurer d'avoir lu, compris et suivi toutes les informations fournies dans ce manuel. Le non-respect de ces instructions pourrait causer des dommages matériels, des blessures graves ou la mort.

Vérification des fuites

1. Faire une solution de vérification des fuites en mélangeant une part de savon à vaisselle avec trois parts d'eau dans un flacon pulvérisateur.
2. S'assurer que le bouton de commande sur le foyer est en position ARRÊT, puis connecter le foyer à la conduite d'alimentation en gaz et l'ouvrir.
3. Pulvériser la solution de fuite sur les raccords de la vanne, en accordant une attention particulière aux zones indiquées dans les diagrammes ci-dessous par des flèches.
4. Si des bulles apparaissent, fermer l'alimentation en gaz, débrancher le tuyau et inspecter tous les raccords, en s'assurant que les filets ne contiennent pas de débris. Rebrancher le tuyau, ouvrir le gaz et vérifier de nouveau. S'il y a encore des bulles, éteindre l'alimentation en gaz, débrancher le tuyau et appeler le service à la clientèle Real Flame au 1-800-654-1704 pour obtenir de l'assistance.
5. Si aucune bulle n'apparaît après une minute, essayer la solution de fuite excédentaire et passer à l'étape suivante.

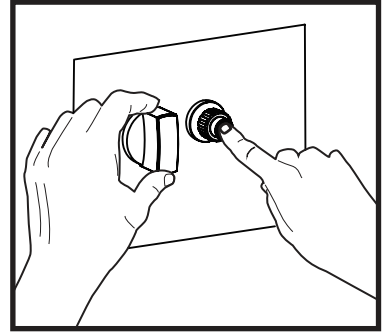


Faire particulièrement attention aux zones indiquées par les flèches.

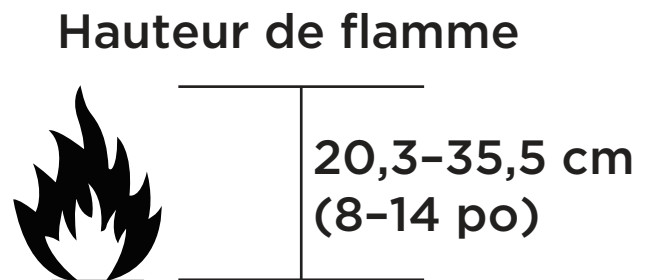
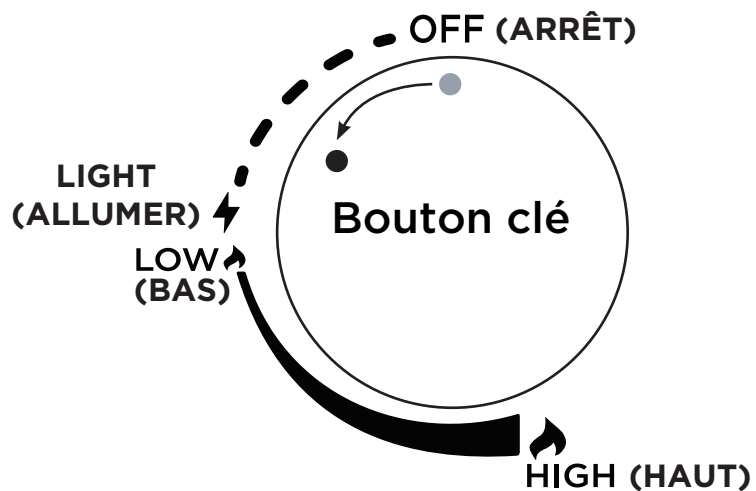
INSTRUCTIONS D'ALLUMAGE

Utilisation de l'allumeur

1. Lire et comprendre toutes les instructions d'utilisation avant l'allumage.
2. Avant de commencer, s'assurer que le bouton clé est en position ARRÊT.
3. Brancher le tuyau de connexion rapide à l'alimentation en gaz.
4. Ouvrir le gaz.
5. Préparez-vous à allumer votre table-foyer en plaçant une main sur le bouton de commande et une main sur le bouton d'allumage (comme indiqué sur le schéma). **NE PAS** s'appuyer sur aucune partie du brûleur. Vérifier que la zone autour du brûleur est exempte de risques.



6. Appuyer et maintenir l'allumeur enfoncé. Des cliquetis se feront entendre.
7. Tout en maintenant l'allumeur enfoncé d'une main, utiliser l'autre main pour pousser et tourner le bouton de commande sur la position ALLUMER.
8. Une fois que le brûleur s'allume, relâcher l'allumeur, mais continuer à maintenir le bouton de commande enfoncé pendant 15 à 30 secondes.
AVERTISSEMENT : Si l'allumage ne se produit pas en 30 secondes, tourner le bouton de commande sur la position ARRÊT et éteindre le gaz à sa source. S'assurer qu'il n'y a pas de source d'inflammation autour de la table-foyer et attendre au moins cinq minutes jusqu'à ce que le gaz se soit dissipé pour répéter la procédure d'allumage. Si ce n'est pas fait, il y a un risque de générer un grand retour de gaz accumulé, causant des dommages aux biens, des blessures graves ou la mort.
9. Après avoir réussi à allumer le foyer, relâcher le bouton de commande et le tourner au réglage BAS. Observer la flamme et s'assurer que tous les orifices de brûlage sont allumés.
10. Régler la flamme à la hauteur désirée en utilisant le bouton de commande.



Instructions de fermeture

1. Tourner le bouton clé à la position ARRÊT.
2. Fermer l'alimentation en gaz à la source.

ENTRETIEN ET NETTOYAGE

Inspection du foyer

⚠ AVERTISSEMENT

NE PAS inspecter, NE PAS nettoyer, NE PAS déplacer ou NE PAS entreposer le foyer jusqu'à ce que les flammes soient COMPLÈTEMENT éteintes et que toutes pièces soient froides au toucher.

Le foyer doit être inspecté régulièrement pour s'assurer qu'il est utilisable en toute sécurité et pour prolonger la durée de vie de ses pièces.

Inspection du foyer:

1. S'assurer que toutes les pièces sont solidement fixées en place. Si une pièce bouge lorsqu'on la touche, vérifier ses points de connexion pour voir s'ils sont lâches.
2. Vérifier toutes les connexions pour des fuites en utilisant la méthode de vérification des fuites décrite dans la section « Vérification des fuites » de ce manuel.
3. Vérifier visuellement tous les composants pour tout signe de dommage, de rouille ou d'usure excessive.
4. Si des dommages ou des fuites de toute nature sont trouvés, Ne pas utiliser le foyer jusqu'à ce que les réparations appropriées aient été effectuées.

⚠ AVERTISSEMENT

NE PAS modifier cet appareil. C'est dangereux et cela annulera la garantie.

Les réparations et les modifications doivent être approuvées par Real Flame et complétées par un technicien professionnel du gaz.

Ce foyer a été testé et certifié par une agence de certification tierce en fonction de ses pièces spécifiques et uniques. L'installation de toute autre pièce annulera à la fois la certification et la garantie. Pour les pièces de rechange approuvées, contacter Real Flame à 1-800-654-1704.

Entretien et nettoyage généraux

Après une utilisation répétée, une légère décoloration ou une altération de la finition du foyer peut se produire. Le foyer doit être nettoyé régulièrement pour assurer une utilisation sécuritaire et prolonger sa vie.

Nettoyage général

Faire une solution de nettoyage à l'aide d'un savon doux mélangé à de l'eau. Utiliser un chiffon doux pour essuyer les surfaces extérieures et rincer à l'eau propre. Ne jamais utiliser de produits de nettoyage ou de solvants abrasifs, car ceux-ci endommageraient le foyer.

Brûleur

Le brûleur doit être maintenu propre pour assurer un bon fonctionnement. Les orifices de brûlage obstrués peuvent être débloqués avec un trombone ou une épingle. Les débris à l'intérieur de la conduite du brûleur peuvent être enlevés à l'aide d'air comprimé ou d'une brosse à tuyau.

Suie

Après l'utilisation, il est possible que la suie se développe sur certaines surfaces, ce dépôt de suie s'enlève habituellement avec de l'eau et du savon doux.

Entreposage

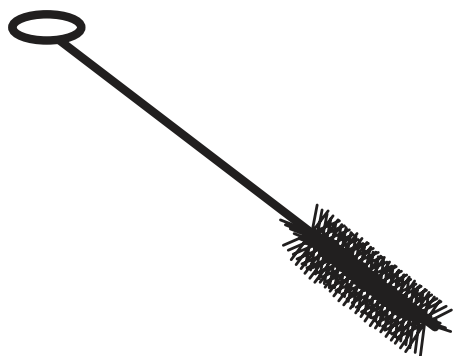
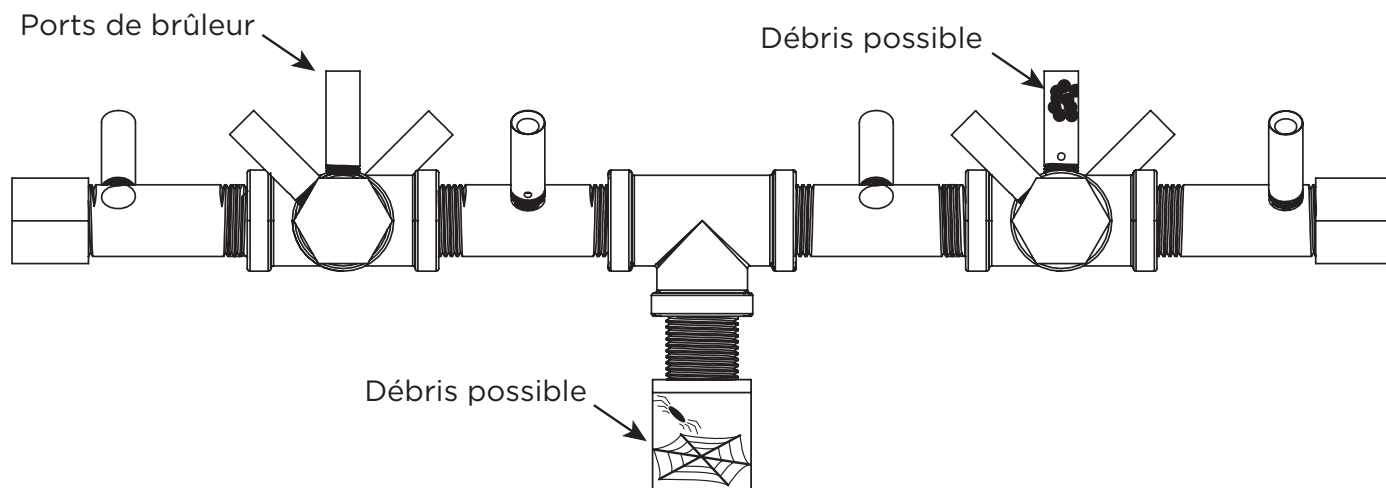
1. Fermer l'alimentation en gaz à la source. Retirer le tuyau de raccord rapide de la conduite d'alimentation en gaz et l'enrouler pour ranger sous le foyer.
2. Attacher tout le matériau de remplissage ou les pièces.
3. Recouvrir le foyer lorsqu'il n'est pas utilisé et ne pas laisser d'eau s'accumuler sur la surface de couverture. Recouvrir le foyer aidera à protéger les composants internes contre la saleté et les débris et empêchera la finition de se décolorer.
4. Ranger le foyer dans un endroit frais et sec, à l'écart des enfants et des animaux domestiques.

AVERTISSEMENT CONCERNANT LES ARAIGNÉES ET LES INSECTES

Les araignées ou d'autres insectes peuvent construire des toiles ou des nids dans votre tuyau de foyer, ce qui peut entraver ou bloquer le flux de gaz.

Une partie du gaz peut revenir dans le tuyau du brûleur et provoquer un retour de gaz (un feu dans le tube de combustion ou sous le foyer) qui pourrait entraîner des dommages matériels, des blessures graves ou la mort. Vérifier et nettoyer périodiquement le tuyau du brûleur à l'aide d'une brosse à tuyaux (comme indiqué ci-dessous) disponible dans n'importe quelle quincaillerie.

Exemple d'un tuyau de brûleur typique. Le tuyau de brûleur exact peut varier.



Exemple de brosse de nettoyage du tuyau disponible en quincaillerie.

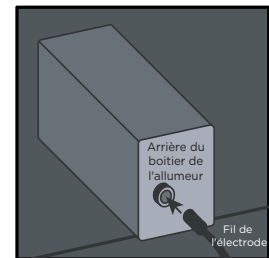
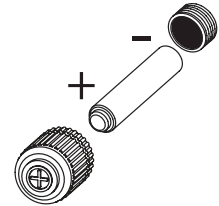
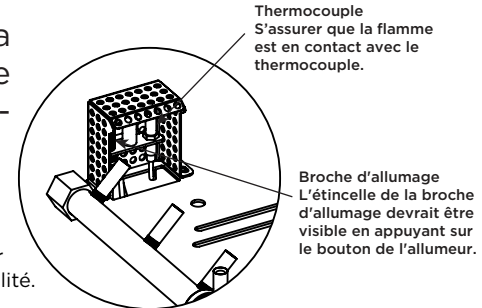
CONSEILS ET DÉPANNAGE

Si le foyer ne s'enflamme pas

Si le système d'allumage fonctionne correctement, un clic se fera entendre lorsque le bouton de l'allumeur est enfoncé et une étincelle devrait être visible dans le boîtier de l'allumeur. S'il n'y a pas d'étincelle ou aucun un clic, vérifier les points suivants:

1. S'assurer que la batterie n'est pas morte et qu'elle est correctement installée, le côté positif (+) étant orienté vers l'extérieur.
2. S'il n'y a toujours pas de cliquetis ou ni d'étincelle dans le boîtier de l'allumeur, regarder sous le foyer et s'assurer que le fil de l'électrode est correctement inséré à l'arrière du boîtier d'allumage électronique. Lors de l'inspection du fil de l'électrode, s'assurer qu'il n'est pas coupé ou cassé à aucun endroit. Si le fil a été endommagé, contacter le service à la clientèle Real Flame au 1-800-654-1704 pour obtenir un remplacement.

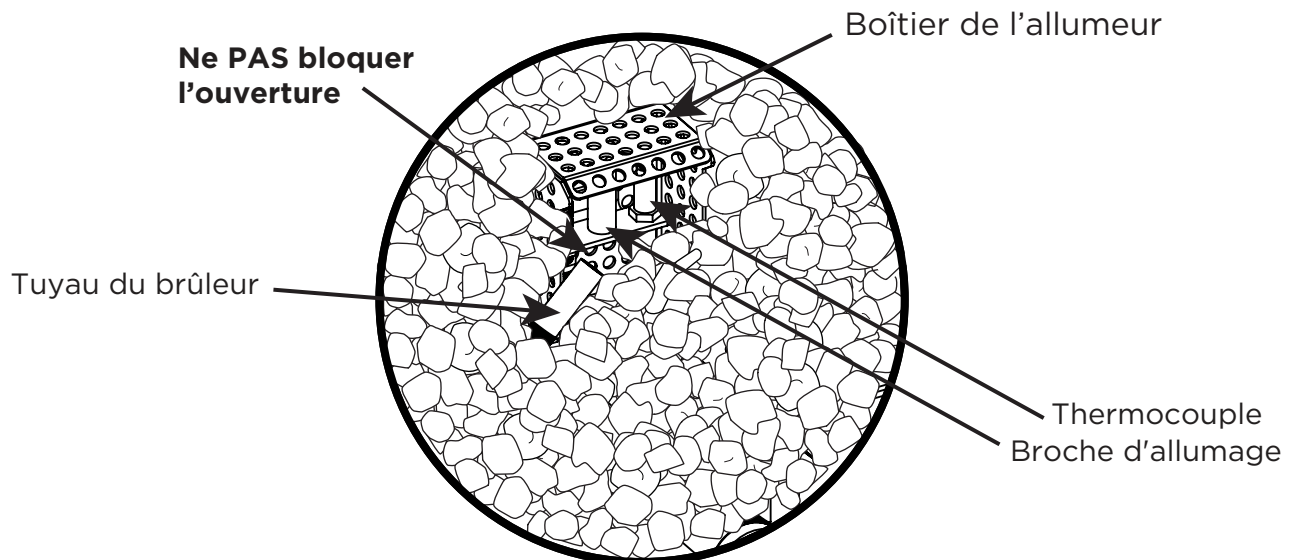
Boîtier de l'allumeur enlevé pour la visibilité.



Si le foyer ne reste pas allumé

Si le foyer s'allume, mais ne reste pas allumé, ou reste allumé seulement pour une brève période, vérifier les points suivants:

1. S'assurer que le boîtier de l'allumeur n'est pas obstrué. Enlever tout matériau de remplissage ou débris sur le boîtier et s'assurer qu'il n'y ait rien entre la broche d'allumage et le thermocouple.

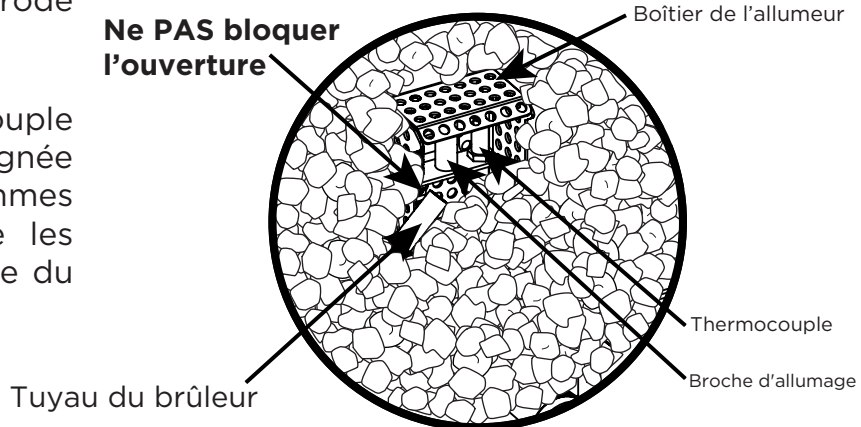


CONSEILS ET DÉPANNAGE

Si le foyer ne reste pas allumé (suite)

2. S'assurer que le thermocouple et l'électrode sont correctement positionnés.

Thermocouple - La pointe du thermocouple doit être située à proximité du brûleur, alignée avec un orifice de brûlage afin que les flammes soient en contact direct. S'assurer que les flammes entrent en contact avec la pointe du thermocouple.



Thermocouple endommagé

Si le boîtier de l'allumeur et la pointe du thermocouple sont exempts de débris et que la flamme est clairement en contact avec la pointe du thermocouple, mais le foyer ne reste pas allumé, le thermocouple peut être endommagé. Regarder sous le foyer et trouver le fil du thermocouple en cuivre qui sort de l'arrière de la vanne. Examiner toute la longueur de celui-ci pour des signes de dommage. Des coudes, des plis ou des dommages peuvent affecter le bon fonctionnement du thermocouple. Si le thermocouple a été endommagé, contacter le service à la clientèle Real Flame au 1-800-654-1704 pour obtenir un remplacement.

Broche d'allumage - La broche d'allumage est l'endroit où l'étincelle est générée pour allumer le foyer. S'assurer de voir cette étincelle en appuyant sur le bouton de l'allumeur. S'il n'y a pas d'étincelle, contacter le service à la clientèle Real Flame au 1-800-654-1704.

Autres problèmes courants

Brûleur bloqué ou obstrué

Il est courant pour les insectes, en particulier les araignées, de faire des toiles ou des nids à l'intérieur des tuyaux de brûleur. S'il semble que le flux de gaz est faible ou nul, vérifier visuellement toutes les ouvertures du brûleur pour détecter les signes d'obstruction. Si quelque chose obstrue le brûleur, essayer d'utiliser de l'air comprimé pour enlever les débris.

Vents forts

Des vents forts peuvent éteindre la flamme. Ne pas utiliser le foyer en présence de vents forts.

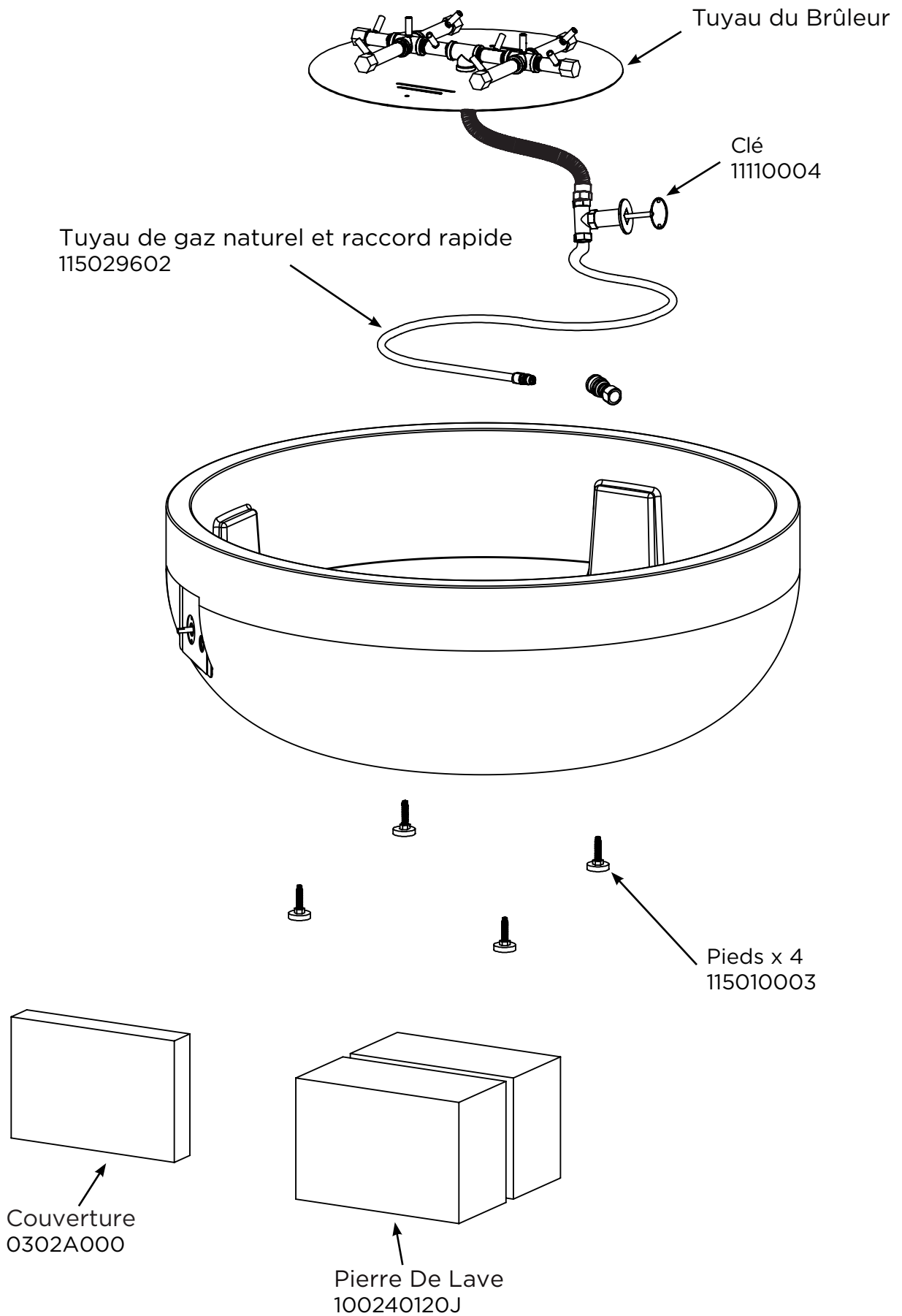
Panne de gaz

Vérifier que la vanne d'arrêt est ouverte.

**En cas de problèmes persistants avec le foyer,
contacter le service à la clientèle Real Flame au 1-800-654-1704.**

LISTE DES PIÈCES TECHNIQUES

Pour les pièces de rechange, contactez Jensen Company au 1-800-654-1704.



GARANTIE

JENSEN CO
ESTD 1982

Garantie limitée

Real Flame® garantit que les composants suivants de ce foyer Jensen Company (« le Produit ») seront exempts de défauts de fabrication de matériaux et de main d'œuvre après un assemblage correct et dans des conditions normales d'utilisation et d'entretien pour les périodes indiquées ci-dessous, à compter de la date d'achat du Produit :

- Le corps - Garantie limitée de 5 ans.
- Les composants internes - Garantie limitée de 2 ans.
- Le système de brûleur - Garantie à vie limitée.

Cette garantie ne s'applique qu'à l'acheteur d'origine, à condition que l'achat ait été effectué auprès d'un revendeur agréé Real Flame. La garantie est également soumise aux conditions et limitations suivantes :

Cette garantie ne s'étend pas aux dommages causés par l'expédition, un assemblage, une installation ou un entreposage incorrects, une installation non conforme aux codes et normes du bâtiment, une installation ou un fonctionnement non conforme au manuel inclus, des abus, un manque d'entretien, des environnements hostiles, un accident, les intempéries ou les réparations impropres. La modification du produit, l'utilisation de carburants autres que ceux approuvés par Real Flame ou l'utilisation de pièces installées d'autres fabricants annulera cette garantie.

Cette garantie s'applique uniquement au fonctionnement du produit et ne couvre pas les problèmes cosmétiques tels que les rayures, les bosses, la rouille, l'oxydation, la corrosion ou la décoloration causées par la chaleur, les nettoyeurs abrasifs et les nettoyeurs chimiques. Cependant, si une détérioration des pièces se produit au point de non-performance pendant la durée de la période de garantie, Real Flame fournira une pièce de rechange.

Real Flame nécessite une preuve raisonnable de votre date d'achat. Par conséquent, vous devez conserver votre reçu de caisse et / ou votre facture. Les pièces défectueuses soumises à cette garantie ne seront pas remplacées sans preuve d'achat.

Real Flame doit avoir la possibilité de vérifier le défaut allégué. Pour que tous les composants internes soient couverts par la garantie, Real Flame demande à l'utilisateur d'obtenir de l'aide auprès d'un membre du service client Real Flame pour assurer le bon fonctionnement et le diagnostic du problème.

En cas de défauts couverts d'articles garantis, Real Flame remplacera, à sa seule discrétion, remplacera le composant défectueux, le produit ou remboursera le prix d'achat. Real Flame n'est pas responsable de l'installation, de la main-d'œuvre ou de tout autre coût associé à la réinstallation. Ce qui précède est le recours exclusif aux termes de cette garantie limitée. Real Flame ne sera pas responsable des dommages accessoires ou indirects causés par des défauts dans le produit. Certains états n'autorisent pas l'exclusion ou la limitation des dommages accessoires ou indirects, de sorte que la limitation ou l'exclusion ci-dessus peut ne pas s'appliquer à vous.

Cette garantie limitée est la seule garantie expresse donnée par Real Flame. La durée de toute garantie implicite découlant des lois de tout État, y compris la garantie implicite de qualité marchande ou d'adéquation à un usage ou à un usage particulier, est limitée à la durée de la garantie spécifiée ci-dessus. Certains États n'autorisent pas les limitations de la durée d'une garantie implicite, il se peut donc que cette limitation ne s'applique pas à vous.

Cette garantie vous donne des droits légaux spécifiques, et vous pouvez également avoir d'autres droits qui varient d'un État à l'autre.

Pour le service de garantie :

1. Contacter le service à la clientèle Real Flame au 1-800-654-1704 pour le support technique et le dépannage.
2. Si vous rencontrez des problèmes avec la finition, veuillez remplir le formulaire « Réclamation de garantie extérieure » sur www.realflame.com.

POLITIQUES DE RETOUR

Politiques de retour

L'achat peut être retourné dans les 90 jours suivant la réception. Il n'y aura aucun remboursement pour de retours incomplets ou non autorisés. Tous les produits retournés doivent être à 100 % complets, emballé d'une manière adéquate, dans l'emballage original et dans une condition revendable. Les produits qui ont été assemblés ou modifiés ne seront pas admissibles au retour. Tous les éléments doivent être retournés dans leur intégralité, ce qui signifie que tous les éléments inclus doivent être retournés ensemble. Aucuns échanges ou retours pour les articles retirés. Commencer le processus de retour en contactant le magasin ou l'entreprise où l'article Real Flame® a été acheté.

Pièces de remplacement

Dans le cas où un article a été perdu ou détérioré, soit par le fabricant ou pendant le transport, une pièce de remplacement peut être demandée. Les pièces de remplacement ne sont pas disponibles pour tous les appareils et sont donnés à la discrétion de Real Flame. Nous évaluerons tout dommage et trouverons une solution, ce qui pourrait inclure la livraison du remplacement. On ne peut pas remplacer les articles retirés ou les produits remballés (emballage ouvert). Appeler le Service à la clientèle de Real Flame 800-654-1704 pour les pièces de remplacement avant de retourner l'article endommagé. Avoir les informations suivantes (qui se trouvent dans le manuel d'utilisation) avant d'appeler le Service à la clientèle :

- Numéro de modèle de l'article
- Numéro de référence de 4-8 chiffres
- Numéro de code de lot
- Adresse de livraison
- Une photo de l'article endommagé peut être demandée. Les photos doivent être envoyées à csrep@realflame.com

Commande incorrecte reçue

En cas de la réception de quelque chose d'autre que ce qui a été commandé, contacter le Service à la clientèle de Real Flame au 800-654-1704 dans un délai de 48 heures après avoir reçu l'article.

Consulter www.realflame.com pour nos directives et nos politiques de retour complètes.

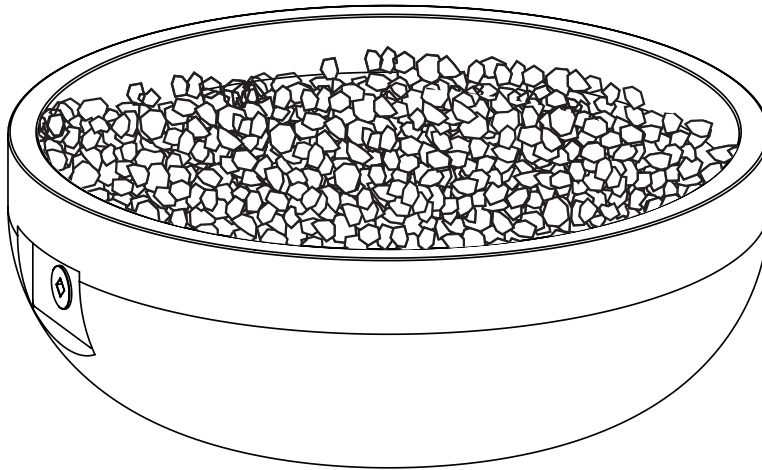
Veillez enregistrer votre foyer pour recevoir les notifications de rappel, les preuves de propriété et l'assurance qualité à l'adresse <https://www.realflame.com/registration>.

Real Flame®
7800 Northwestern Ave.
Racine, WI 53406
USA

Customer Service: 1-800-654-1704 in USA
Service à la clientèle: 1-800-363-6443 in Canada
csrep@realflame.com

JENSEN CO

ESTD 1982



302NG 48" Fire Bowl Owner's Manual

⚠ PELIGRO

RIESGO DE MONÓXIDO DE CARBONO

Este artefacto puede producir monóxido de carbono, el cual no tiene olor. Usarlo en un espacio cerrado puede causarle la muerte. Nunca use este artefacto en un espacio cerrado tal como una caravana, tienda de campaña, carro o vivienda.



⚠ PELIGRO

RIESGO DE INCENDIO O EXPLOSIÓN

Si huele a gas:

- Corte el suministro de gas al artefacto.
- Apague las llamas expuestas.
- Si el olor continúa, abandone el área de inmediato.
- Después de abandonar el área, llame a su proveedor de gas o al Departamento de bomberos. No seguir estas instrucciones pudiera resultar en un incendio o explosión, lo cual pudiera ocasionar daños a la propiedad, lesiones personales o la muerte.

⚠ ADVERTENCIA: SOLO PARA USO EN EXTERIORES.

La instalación y el servicio los debe realizar un instalador calificado, una agencia de servicio o el proveedor de gas.

INSTALADOR: Deje este manual con el artefacto.
CONSUMIDOR: Conserve este manual para referencia futura.

⚠ ADVERTENCIA: Si no se sigue exactamente la información de este manual, puede resultar en un incendio o explosión ocasionando daños a la propiedad, lesiones graves o la muerte.

⚠ ADVERTENCIA: No almacene ni use gasolina, ni otros vapores o líquidos inflamables, en las inmediaciones de este o de cualquier otro artefacto. Un tanque de gas de propano líquido (LP) no conectado para el uso no se debe almacenar en las inmediaciones de este o de cualquier otro artefacto.



ÍNDICE

Información importante sobre seguridad	3
Peligros y advertencias del gas natural (NG)	5
Lista de piezas	6
Instrucciones de ensamblaje	7
Instrucciones previas al uso	10
Instrucciones de encendido	11
Cuidado y limpieza	12
Advertencia sobre arañas e insectos	13
Consejos y solución de problemas	14
Lista de piezas técnicas	16
Garantía y	17
Políticas de devolución	18

ESPECIFICACIONES

Nombre del producto
48 Inch Firebowl

Tipo de gas
Gas natural (GN)

Modelo n.º
302NG

Suministro de gas
Instalado profesionalmente
Sistema de gas natural

Salida de calor nominal
85,000 BTUs/hr

ATENCIÓN

Registre su chimenea para notificaciones de retiro del mercado, prueba de titularidad y garantía de la calidad en <https://www.realflame.com/registration>.

INFORMACIÓN IMPORTANTE SOBRE SEGURIDAD

Advertencias generales

- **Los niños y los adultos deben ser alertados sobre los peligros de las altas temperaturas de las superficies y que deben mantenerse alejados para evitar quemaduras o incendio de la ropa.**
- **Se debe supervisar a los niños atentamente cuando estén en el área de la chimenea.**
- **No se debe colgar ropa ni otros materiales inflamables de la chimenea ni colocarlos en o cerca de la chimenea.**
- **Cualquier protector u otro dispositivo de protección similar que haya sido retirado para prestar servicio a la chimenea se debe volver a colocar antes de hacer funcionar la chimenea.**
- **La instalación y el servicio los debe realizar un instalador calificado, una agencia de servicio o el proveedor de gas. Real Flame recomienda utilizar profesionales que estén certificados en EE. UU. por el Instituto Nacional de Chimeneas (National Fireplace Institute®, NFI) como Especialistas de gas del NFI.**
- **Es posible que se requiera limpieza más frecuente según sea necesario. Es imperativo que el compartimiento de control, los quemadores y las vías de circulación del artefacto se conserven limpios.**
- No almacene ni use gasolina ni otros vapores o líquidos inflamables a una distancia de 25 pies (7.62 m) de esta chimenea ni de ningún otro artefacto.
- No almacene materiales combustibles en el recinto de la chimenea.
- Cerciórese de proteger la manguera y sus componentes de las superficies calientes. Es peligroso permitir que la manguera esté en contacto con cualquier superficie caliente.
- Use solo la manguera de gas natural y el ensamble de conexión rápida que se suministra. La manguera de reemplazo de gas natural y el ensamble de conexión rápida será el especificado por el fabricante.
- No intente desconectar la manguera de gas natural ni el acople del suministro principal de gas ni ningún acople de gas mientras la chimenea de exteriores esté en uso.
- Siempre cierre el gas en la válvula y desconecte el acople de conexión rápida del suministro principal de gas cuando la chimenea no esté en uso.
- Conserve limpias todas las partes de la chimenea incluyendo el quemador y el ensamble de la manguera. Para más información sobre cómo limpiar su chimenea consulte la sección “Cuidado y limpieza” de este manual.
- No utilice esta chimenea si alguna de sus partes ha estado bajo agua. Llame de inmediato a un técnico de servicio calificado para inspeccionar la chimenea y reemplazar cualquier parte del sistema que haya estado bajo el agua.
- No utilice esta chimenea para cocinar.
- No vierta agua dentro de la chimenea.
- No intente mover ni almacenar esta chimenea hasta que todas las partes estén frías.
- Siempre corte el suministro de gas en su origen y desconecte la manguera cuando la chimenea no esté en uso.
- Cualquier alteración de esta chimenea que no esté específicamente indicada en el manual del propietario anulará la garantía del fabricante. Esto incluye el uso de materiales de relleno no aprobados.

INFORMACIÓN IMPORTANTE SOBRE SEGURIDAD

Advertencias sobre la instalación

- La distancia de separación mínima de esta chimenea a materiales combustibles es de 48" (122 cm) desde todos los lados. No coloque esta chimenea debajo de estructuras cubiertas ni de vegetación.
- La presión normal de entrada de gas para esta chimenea es 7.0" en columna de agua (WC) (1.74 kPa). La presión máxima de entrada es 10.5" (33 cm) en columna de agua (WC) (2.61 kPa). La presión mínima de entrada es 7.0" en Columna de agua (W.C.) (1.74 kPa).
- Una chimenea con una conexión fijada a un sistema de tubería debe conformarse con los códigos locales, o en ausencia de códigos locales con *The National Fuel Gas Code, ANSI Z223.1/NFPA 54*, o con el *Código Internacional de combustible de gas*.
- No retire las patas de esta chimenea.
- No coloque la chimenea en algo que bloquee o selle la separación entre la chimenea y el suelo.
- No asegure permanentemente la chimenea en ninguna forma o a ninguna superficie.
- No entierre la manguera. Inspeccione visualmente la manguera en busca de daños antes de cada uso.
- La manguera se podría dañar si toca superficies calientes.

Advertencias de configuración

- Antes de cada funcionamiento, revise el ensamblaje de la manguera en busca de evidencia de abrasión excesiva, desgaste o daño. Use un espejo de mano, si fuese necesario, para ver las secciones de la manguera ubicadas debajo de la unidad.
- Si el ensamblaje de la manguera está dañado, agrietado o cortado, reemplácela antes de utilizar la chimenea con un ensamble de manguera especificado por Real Flame. Para asistencia, comuníquese con el Servicio al cliente de Real Flame al 1-800-654-1704.
- Coloque la manguera fuera del trayecto donde las personas pudieran tropezarse con ella. No coloque la manguera en áreas donde pudiera dañarse accidentalmente.
- Antes de cada uso, examine el quemador y sus componentes en busca de suciedad y residuos. Si se requiere de limpieza, use un cepillo para limpiar tubos y aire comprimido. También examine el área alrededor del quemador. Se debe retirar cualquier suciedad o material extraño, tal como telarañas, nidos, hojas, etc.. Si es evidente que el quemador está dañado, no se debe usar la chimenea, y el ensamblaje del quemador se debe reemplazar. Para asistencia, comuníquese con el Servicio al cliente de Real Flame al 1-800-654-1704.

Advertencias durante el uso

- NUNCA DEJE esta chimenea desatendida cuando esté en uso.
- No queme en esta chimenea combustibles sólidos, tales como briquetas, carbón en bulto, leños manufacturados, basura, hojas, papel, cartón, cualquier tipo de madera natural o tratada ni cualesquiera otros materiales.
- El uso de alcohol, medicamentos recetados o no recetados puede afectar su capacidad de operar esta chimenea de forma segura.
- Siempre use de acuerdo con los códigos locales, estatales y nacionales aplicables. Contacte con su Departamento de bomberos para los detalles sobre cómo quemar en exteriores.
- No use cuando haya mucho viento. Los vientos fuertes pueden ocasionar que la llama se apague.
- Algunas superficies de esta chimenea pueden calentarse durante el uso. Tenga cuidado de no tocar las superficies hasta que la unidad se haya enfriado.
- No intente desconectar el suministro de gas de la chimenea cuando la unidad esté en uso.
- No se siente sobre la chimenea.

PELIGROS Y ADVERTENCIAS DEL GAS NATURAL (NG)

⚠ PELIGRO

Esta chimenea de exterior es para uso con gas natural únicamente. La conversión o el intento de uso de propano líquido en esta chimenea de exterior es peligroso y puede ocasionar daños a la propiedad, lesiones graves o la muerte.

⚠ ADVERTENCIA

El gas natural es inflamable y peligroso si se manipula inadecuadamente. Tome conciencia de sus características antes de usar cualquier producto de gas natural. No comprender y observar estas advertencias o cualesquiera instrucciones y advertencias suministradas por su proveedor de gas puede ocasionar daños a la propiedad, lesiones graves o la muerte.

⚠ PRECAUCIÓN

Durante cualquier prueba de alta presión del sistema de tubería de suministro de gas en presiones de prueba que excedan de ½ psi. (3.5 kPa) la chimenea y su válvula de corte deben ser desconectadas del sistema de tubería de suministro de gas.

⚠ ADVERTENCIA

Las válvulas del quemador se prueban previamente en fábrica para funcionar con gas natural. No intente convertir ni cambiar.

Características del gas natural

- El gas natural es inflamable, explosivo bajo presión, más ligero que el aire y se acumula en áreas altas. El gas acumulado se puede incendiar ocasionando un incendio o explosión que pudieran ocasionar daños a la propiedad, lesiones graves o la muerte.
- En su estado natural, el gas natural no tiene olor. Por su seguridad, se le ha añadido un aroma.
- El contacto directo con el gas natural puede quemar su piel.
- El gas natural es extremadamente inflamable y peligroso si se manipula inadecuadamente.

Información sobre el gas natural

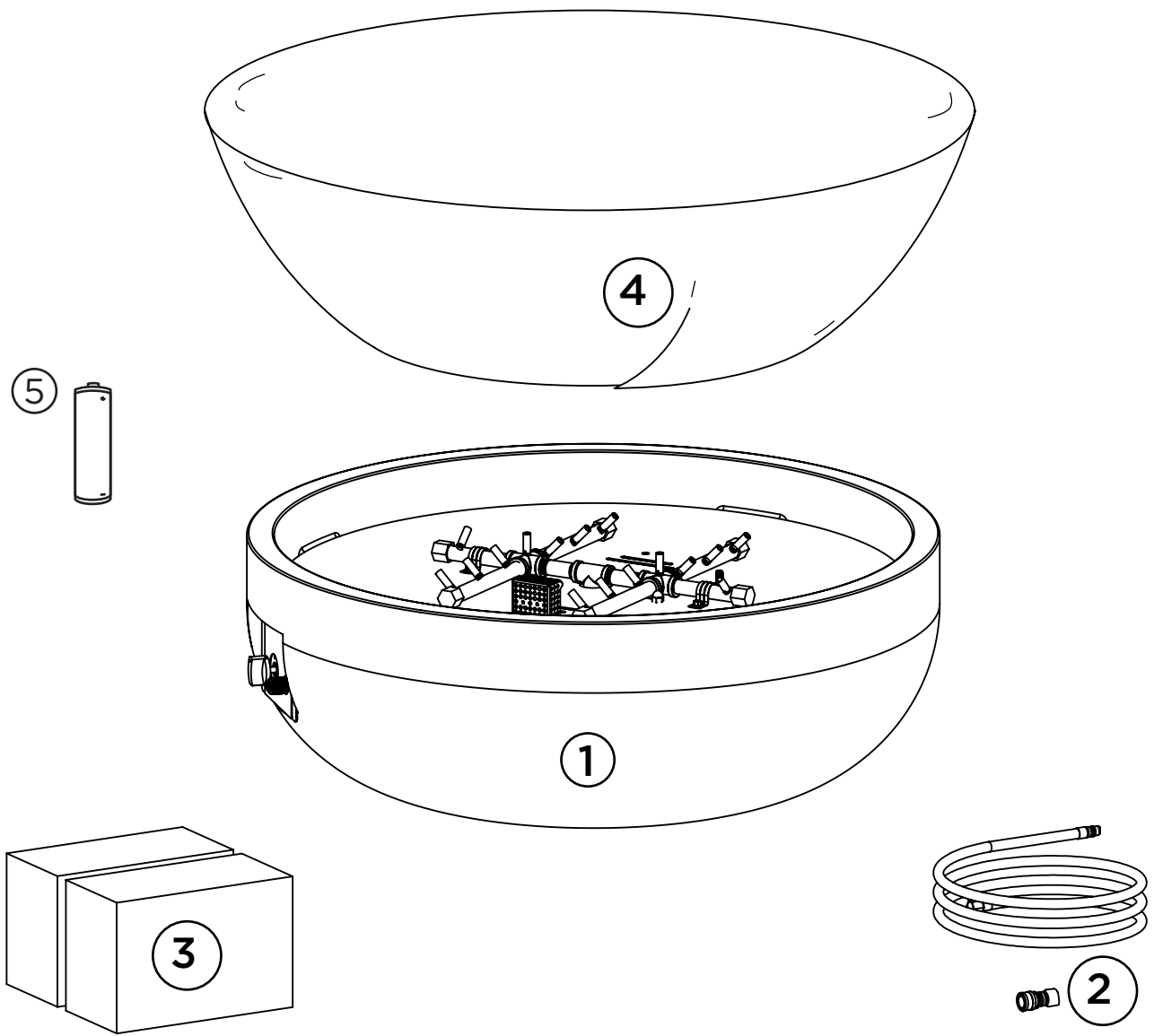
- Esta chimenea de gas natural está diseñada para funcionar con gas natural únicamente a una presión de 7" W.C. (1.74 kPa).
- Consulte con su proveedor local de gas la presión local del gas, porque en algunas áreas la presión del gas natural varía.

Conexión de gas natural

- Se recomienda que instale una válvula manual de ENCENDIDO/APAGADO en exteriores en la fuente de gas natural después de que la tubería de gas salga de la pared exterior o antes de que la tubería de gas ingrese en la tierra y antes del conector rápido.
- Cuando haga una conexión, debe aplicar compuesto o cinta de rosca para tubos del tipo resistente a la acción del gas natural en 3 a 4 roscas de todas las roscas de tubos macho.
- Conecte el extremo de la manguera de gas natural con el conector de liberación rápida a la válvula de corte manual en el suministro de gas.

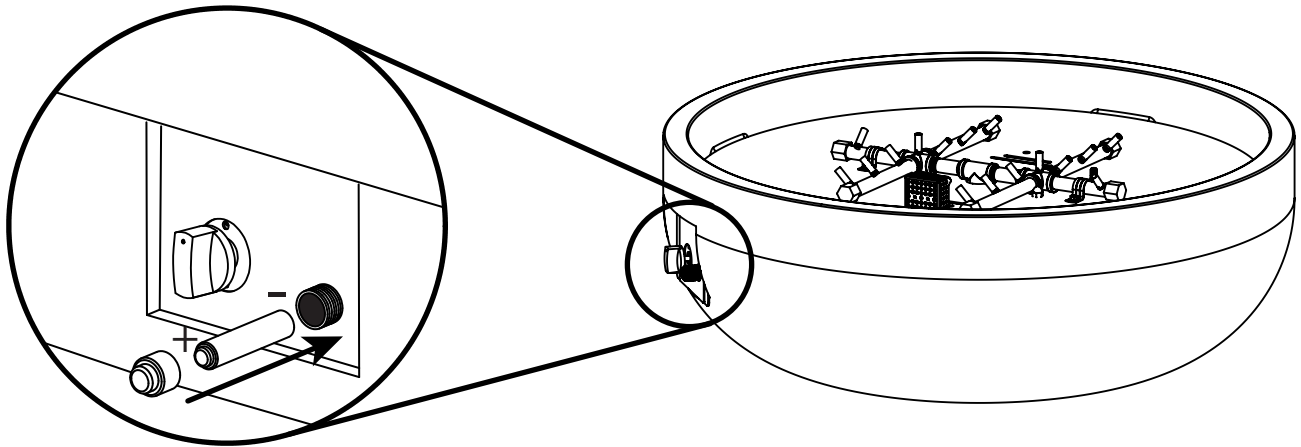
LISTA DE PIEZAS

ITEM	JCo NUMBER	QUANTITY
① Tazón de fuego	N/A	1
② Manguera de gas natural y de acoplamiento rápido	115029602	1
③ Roca de Lava	100240120J	2
④ Cubierta	0302A000	1
⑤ Pila AA	N/A	1



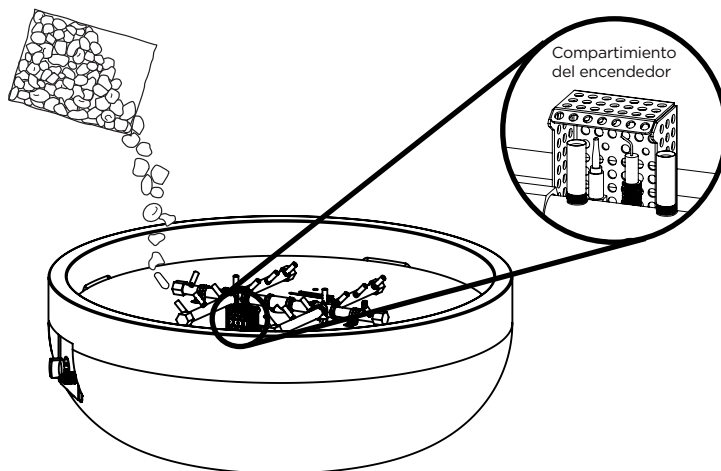
INSTRUCCIONES DE ENSAMBLAJE

1. Instale la batería AA como se indica en el diagrama que sigue.



2. Coloque el material de relleno en el recipiente del quemador con la mano. Para evitar obstruir el quemador con polvo no vierta la bolsa en el recipiente del quemador. Coloque el relleno en el recipiente del quemador a un nivel que tenga 1" (2.5 cm) por encima del tubo del quemador. Cerciérese de no bloquear la carcasa del encendedor con el material de relleno para garantizar el encendido adecuado y el funcionamiento.

Si usa relleno de vidrio, Real Flame sugiere colocar primero una capa de piedra de lava en el recipiente del quemador para mejorar el flujo del aire.



Advertencia sobre el material de relleno

- No rellene excesivamente el área del quemador con el relleno de piedras o de vidrio; use solo la cantidad especificada. La profundidad del relleno no debe ser más de 1" (2.5 cm) sobre el tubo del quemador. Solo los productos de relleno Real Flame han sido certificados y probados para uso seguro con esta chimenea Real Flame. Utilizar otro material de relleno puede resultar en estallido y crepitación o aumento de emisiones de monóxido de carbono.
- No encienda ni use esta chimenea si el relleno está mojado. Cerciérese de que el relleno esté completamente seco antes del encendido. El calor intenso puede provocar que el relleno mojado explote y golpee a alguien ocasionando daños a la propiedad, lesiones graves o la muerte.
- Manténgase alejado de la chimenea durante al menos 20 minutos durante la puesta en marcha ya que el relleno puede retener humedad procedente de la fabricación y el envío.

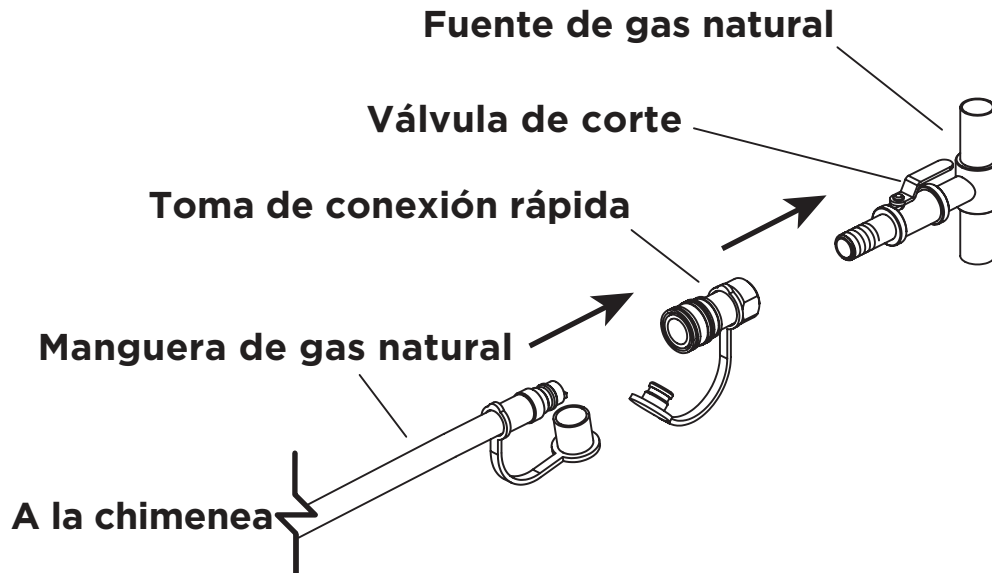
INSTRUCCIONES DE ENSAMBLAJE

2. Conecte la chimenea a la fuente de gas natural:

El *Código Nacional de Combustible de gas (National Fuel Gas Code)*, recomienda la instalación profesional de una válvula de cierre entre la tubería de suministro y la toma y se debe usar para la chimenea. Un técnico profesional de gas o plomero debe asegurarse de que su sistema de gas sea capaz de proporcionar la cantidad correcta de gas a la presión correcta para que su chimenea funcione de forma segura y correcta.

La toma de conexión rápida se debe hacer en exteriores. El diagrama que sigue muestra los componentes principales de una conexión estándar de gas natural.

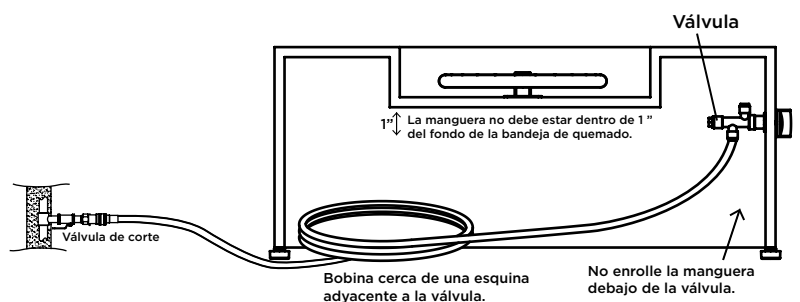
Si la toma de la conexión está debajo de la chimenea, ninguna parte de la manguera debe estar en contacto con los paneles laterales ni con el panel de base o el área del quemador cuando la chimenea esté en su posición de funcionamiento normal.



⚠ ADVERTENCIA

Si la mesa se instala con una parte de la manguera debajo la mesa, la manguera debe estar asegurada, de modo que ninguna parte de la manguera este dentro de 1" o entre en contacto con la parte inferior de la bandeja de combustión o donde la manguera no se dañe accidentalmente o sea pellizcado.

No asegurar la manguera en un lugar seguro puede resultar en una fuga de gas que podría causar daños a la propiedad, lesiones o la muerte. Seguir todas las demás instrucciones de inspección de la manguera enumerados en este manual.

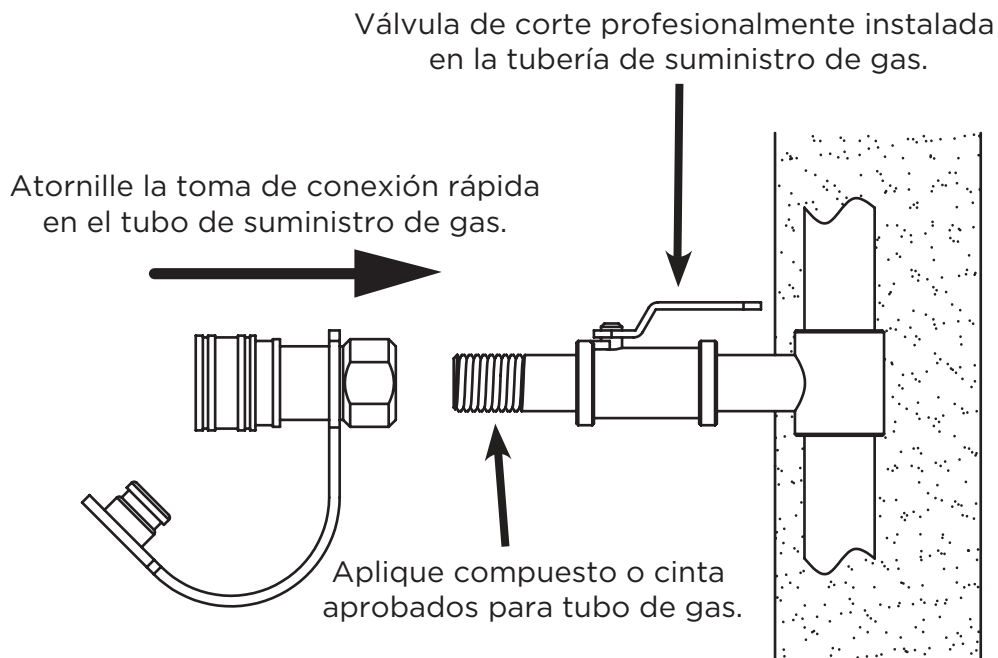


INSTRUCCIONES DE ENSAMBLAJE

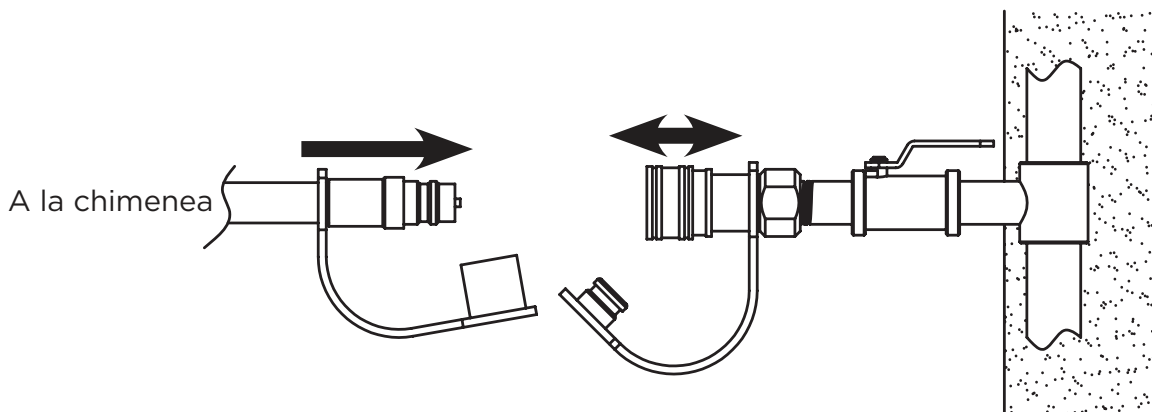
3. Instale la toma de conexión rápida:

Cubra las roscas de suministro de gas con un compuesto o cinta de tubería aprobados para gas. Atornille la toma de conexión rápida con la chimenea en el tubo de suministro de gas.

El conector rápido no debe estar permanentemente fijado a la manguera de gas en la chimenea. La dirección del flujo de gas está indicada en la toma.



Utilizando una mano, hale el manguito de la toma de conexión rápida y con la otra mano, inserte el extremo no fijado de la manguera de gas a la chimenea en la toma. Libere el manguito y continúe empujando la manguera en la toma hasta que el manguito calce a presión en la posición fijada.



Después de hacer la conexión realice una prueba de fuga como se describe en la próxima página.

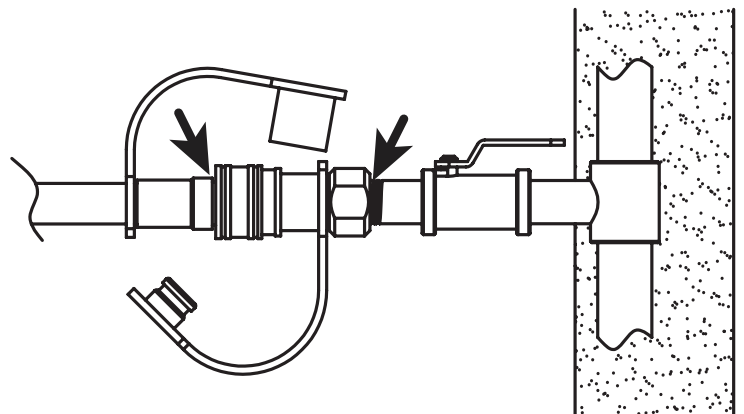
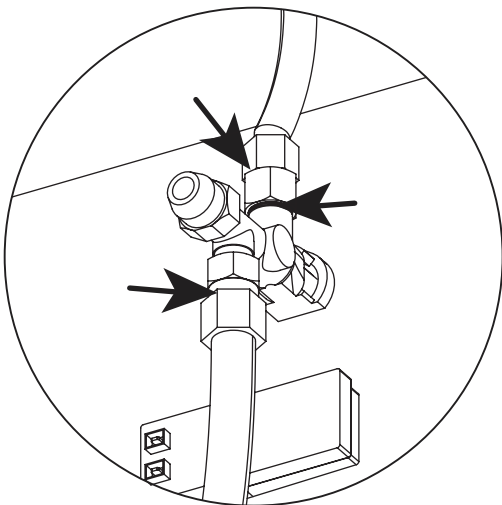
INSTRUCCIONES PREVIAS AL USO

⚠ ADVERTENCIA

Antes de usar esta chimenea, cerciórese de haber leído, comprendido y observado toda la información que se suministra en este manual. No seguir estas instrucciones pudiera ocasionar daños a la propiedad, lesiones personales o la muerte.

Revisión de fugas

1. Haga una solución para fugas mezclando 1 parte de jabón de lavaplatos con 3 partes de agua en un frasco atomizador.
2. Cerciórese de que la perilla de control de la chimenea esté en la posición “OFF” (apagado), y seguidamente conecte su chimenea al suministro de gas y gire la válvula a la posición “ON” (encendido).
3. Rocíe la solución para fugas en las conexiones de la válvula, prestando atención particular a las áreas indicadas por flechas en los diagramas.
4. Si aparecen burbujas, corte el suministro de gas, desconecte la manguera e inspeccione todas las conexiones cerciorándose de que las roscas estén libres de residuos. Vuelva a conectar la manguera, abra el suministro de gas y repita la prueba. Si continúa observando burbujas, cierre el suministro de gas, desconecte la manguera y llame al Servicio al cliente de Real Flame al 1-800-654-1704 para obtener asistencia.
5. Si no aparecen burbujas después de 1 minuto, limpie el exceso de solución para fugas y proceda a las “Instrucciones de encender”.

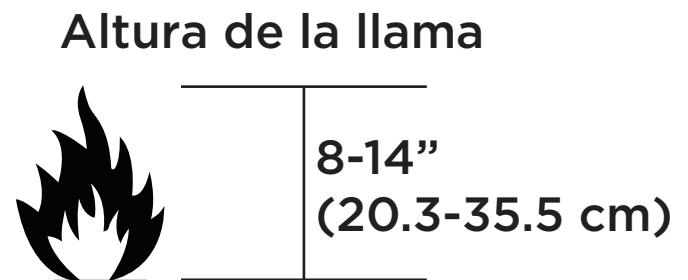
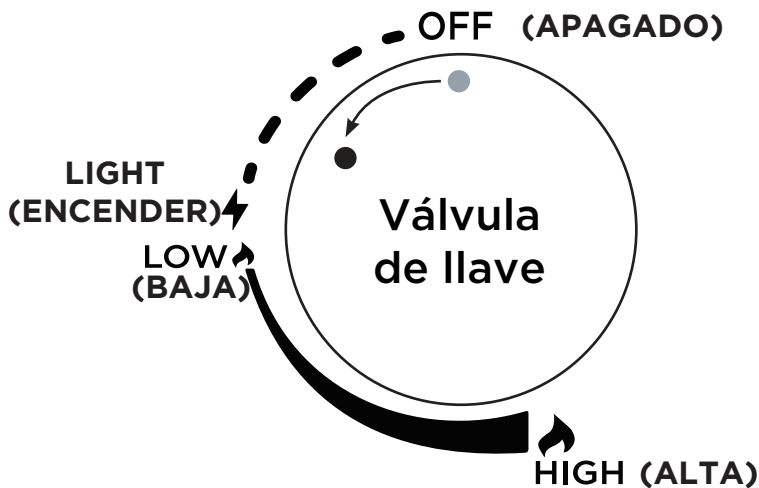
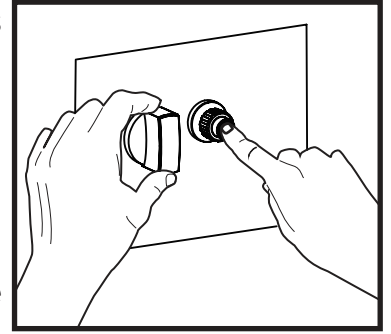


Preste atención a las áreas indicadas por las flechas.

INSTRUCCIONES DE ENCENDIDO

Uso del encendedor

1. Lea y comprenda todas las instrucciones de funcionamiento antes de encender.
2. Antes de comenzar, verifique que la válvula de llave esté en la posición "OFF".
3. Conecte la manguera de conexión rápida a su suministro de gas.
4. Enciende el gas.
5. Prepárese para encender su chimenea colocando una mano en la perilla de control y la otra mano en el botón del encendedor (consulte el diagrama). NO se incline sobre ninguna parte del quemador. Verifique que el área alrededor del quemador esté libre de riesgos.
6. Presione y sostenga el botón del encendedor. Debe escuchar un sonido de chasquido.
7. Mientras mantiene oprimido el botón del encendido, use su otra mano para presionar y girar la perilla de control en el sentido antihorario a la posición "LIGHT" (encender).
8. Una vez que el quemador encienda, suelte el botón del encendedor pero continúe manteniendo la perilla de control oprimida durante 15-30 segundos.
ADVERTENCIA: Si no ocurre el encendido en 30 segundos, gire la perilla de control a la posición "OFF" (apagado) y corte el suministro de gas desde su origen. Cerciórese de que no haya ninguna fuente de encendido alrededor de la chimenea y espere al menos 5 minutos hasta que el gas se haya disipado para repetir el procedimiento de encendido. No hacerlo podría resultar en acumulación de gas causando daños a la propiedad, lesiones graves o la muerte.
9. Después de encender satisfactoriamente la chimenea, libere la perilla de control y gírela a la configuración "LOW" (baja). Observe la llama y cerciórese de que todos los puertos del quemador estén encendidos.
10. Ajuste la llama a la altura deseada utilizando la perilla de control.



Instrucciones de corte

1. Gire la válvula de llave a la posición "OFF" (apagado).
2. Apaga el gas.

CUIDADO Y LIMPIEZA

Inspección de su chimenea

⚠ ADVERTENCIA

NO inspeccione, limpie, mueva ni almacene su chimenea hasta que las llamas estén COMPLETAMENTE extinguidas y todas las partes estén frías al tacto.

Inspeccione su chimenea periódicamente para garantizar que es segura y prolongar la vida de sus piezas.

Inspeccione su chimenea:

1. Verifique que todas las piezas estén fijadas de forma segura en su lugar. Si una pieza se mueve cuando la toca, revise sus puntos de conexión para observar si están sueltos.
2. Revise todas las conexiones en busca de fugas utilizando el método descrito en la sección “Revisión de fugas” de este manual.
3. Revise visualmente todos los componentes en busca de señales de daño, óxido o desgaste excesivo.
4. Si encuentra daño o fugas de cualquier clase, NO haga funcionar la chimenea hasta que se hayan realizado las reparaciones adecuadas.

⚠ ADVERTENCIA

NO altere esta chimenea. Esto es peligroso y anulará la garantía.

Las reparaciones y modificaciones deben estar aprobadas por Real Flame y realizadas por un técnico profesional de gas.

Esta chimenea ha sido probada y certificada por una agencia de certificación de tercera parte basada en sus piezas específicas y únicas. Instalar otras piezas anulará tanto la certificación como la garantía. Para las piezas de repuesto aprobadas comuníquese con el Servicio al cliente de Real Flame al 1-800-654-1704.

Cuidado general y limpieza

Después del uso repetido, puede ocurrir una ligera decoloración o desgaste de la chimenea. Inspeccione su chimenea periódicamente para garantizar que es segura y prolongar la vida de sus piezas.

Limpieza general

Prepare una solución de limpieza utilizando jabón suave mezclado con agua. Use un paño suave para limpiar las superficies exteriores y enjuague con agua limpia. Nunca use limpiadores de horno ni solventes abrasivos ya que dañarán la chimenea.

Quemador

El quemador se debe conservar limpio para garantizar el funcionamiento adecuado. Los puertos obstruidos del quemador se pueden limpiar utilizando un clip o alfiler. Los residuos en el tubo del quemador se pueden limpiar utilizando aire comprimido o un cepillo para limpiar tubos.

Hollín

Después del uso es posible que se desarrolle hollín en algunas superficies. Este depósito de hollín por lo general se elimina con agua y jabón suave.

Almacenaje

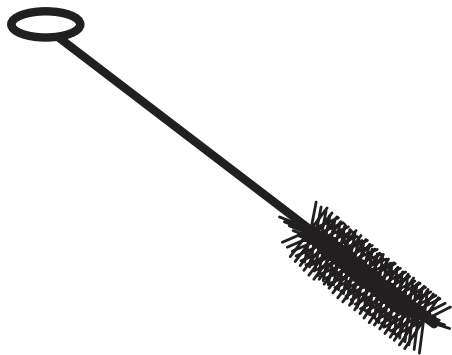
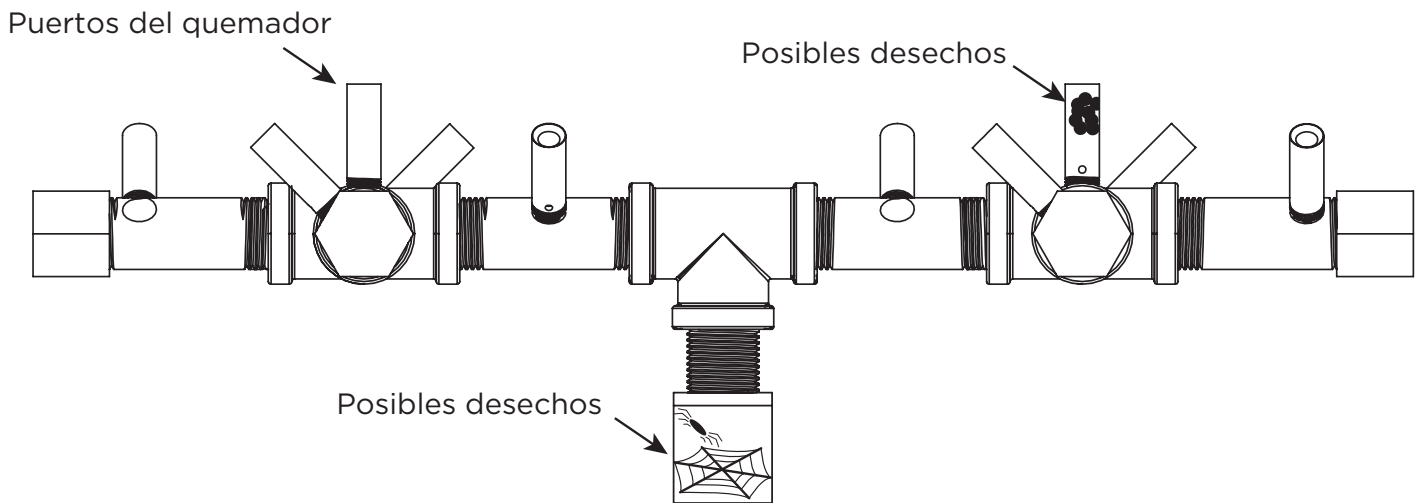
1. Corte el suministro de gas en la fuente. Retire la manguera de conexión rápida del suministro de gas y enrolle para almacenarla debajo de la chimenea.
2. Asegure todos los materiales sueltos del relleno o las piezas.
3. Cubra la chimenea cuando no esté en uso y no permita que el agua se acumule en la superficie de la cubierta. Cubrir la chimenea contribuirá a proteger los componentes internos de la suciedad y los desechos y evitará que al acabado se decolore.
4. Almacene la chimenea en un lugar fresco y seco alejado de los niños y las mascotas.

ADVERTENCIA SOBRE ARAÑAS E INSECTOS

Las arañas u otros insectos pueden construir telarañas o nidos en su tubo del quemador de la chimenea lo cual puede obstruir o bloquear el flujo del gas.

Parte del gas podría acumularse en el tubo del quemador y producir una llamarada (un incendio en el tubo del quemador o debajo de la chimenea), lo cual pudiera ocasionar daños a la propiedad, lesiones graves o la muerte. Revise y limpie el tubo del quemador periódicamente utilizando un cepillo para limpiar tubos (se ilustra a continuación) y aire comprimido disponible en cualquier ferretería.

Ejemplo de un tubo quemador típico. Su tubo exacto del quemador puede variar.



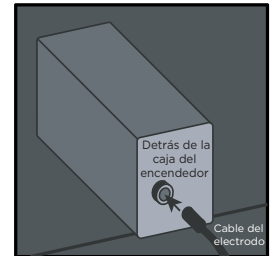
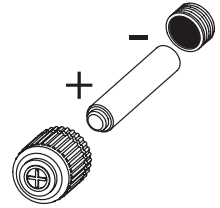
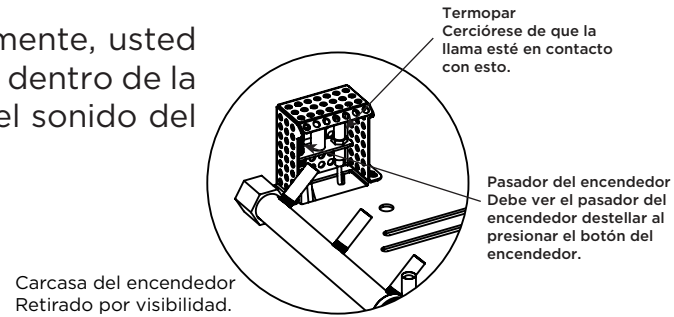
Ejemplo de un cepillo para limpiar tubos disponible en una ferretería local.

CONSEJOS PRÁCTICOS Y SOLUCIÓN DE PROBLEMAS

Si la chimenea no enciende

Si el sistema de encendedor está trabajando correctamente, usted debe escuchar un sonido de chasquido y ver una chispa dentro de la carcasa del encendedor. Si no ve la chispa ni escucha el sonido del chasquido, revise lo siguiente:

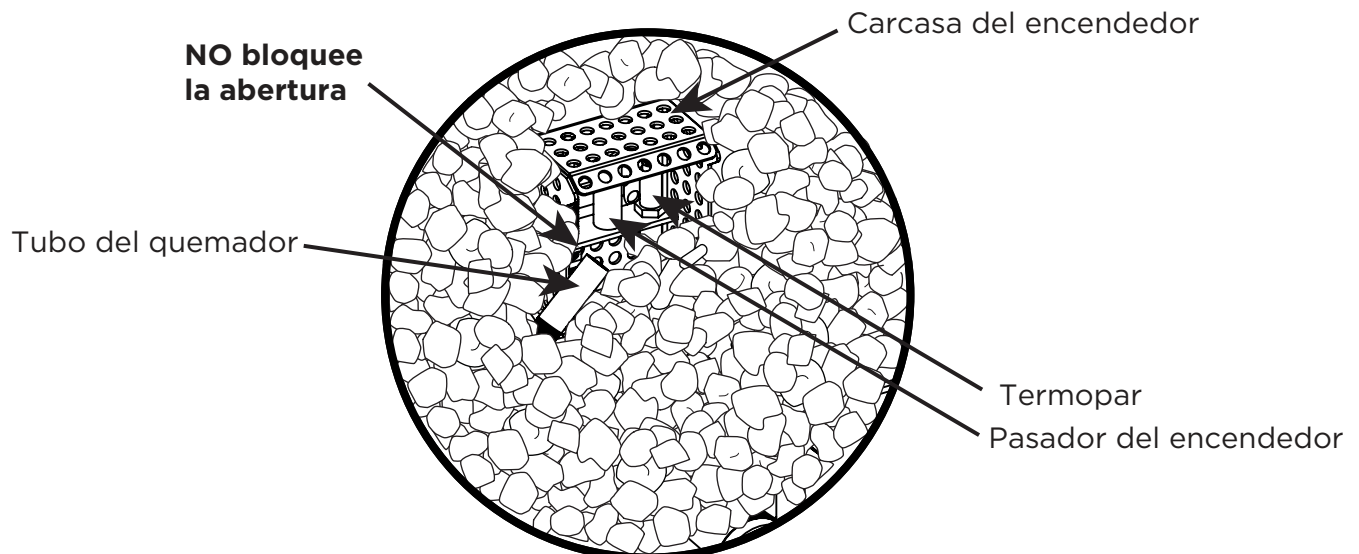
1. Cerciórese de que la batería no está descargada y que está instalada correctamente, con el lado positivo (+) orientado hacia afuera.
2. Si no escucha el sonido de chasquido ni ve una chispa en la caja del encendedor, mire debajo de la chimenea y compruebe que el cable del electrodo esté correctamente insertado en la parte posterior de la caja del encendedor electrónico. Mientras inspecciona el cable del electrodo, cerciórese de que este no esté cortado o partido en ningún lugar. Si el cable ha sido dañado, comuníquese con el Servicio al cliente de Real Flame al 1-800-654-1704 para un reemplazo.



Si la chimenea no permanece encendida

Si la chimenea enciende, pero no permanece encendida, o permanece encendida solo por un tiempo breve, revise lo siguiente:

1. Cerciórese de que la carcasa del encendedor no esté obstruida. Elimine cualquier material de relleno o desechos de la carcasa y cerciórese de que no haya nada entre el pasador del encendedor y el termopar.



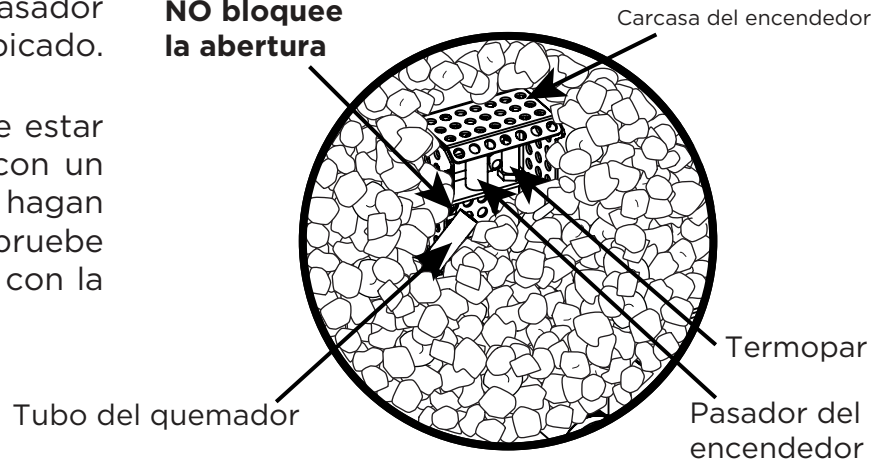
CONSEJOS PRÁCTICOS Y SOLUCIÓN DE PROBLEMAS

Si la chimenea no permanece encendida (Cont.)

2. Cerciórese de que el termopar y el pasador del encendido estén correctamente ubicado.

Termopar - La punta del termopar debe estar ubicada cerca del quemador, alineada con un puerto del quemador para que las llamas hagan contacto con este directamente. Compruebe que las llamas están haciendo contacto con la punta del termopar.

NO bloquee la abertura



Termopar dañado

Si la carcasa del termopar y la punta del termopar no tienen desechos y la llama está claramente contactando con la punta del termopar, pero la chimenea aún no permanece encendida, el termopar puede estar dañado. Mire debajo de la chimenea y encuentre el cable del termopar de cobre que sale de la parte posterior de la válvula. Examine a lo largo de este en busca de señales de daño. Los dobleces, torceduras o daños significativos pueden ocasionar que el termopar no funcione correctamente. Si encuentra daños en el termopar, comuníquese con el Servicio al cliente de Real Flame al 1-800-654-1704 para un reemplazo.

Pasador del encendedor - El pasador del encendedor es donde la chispa se genera para encender su chimenea. Cerciórese de que pueda ver esta chispa cuando se presiona el botón del encendedor. Si no observa una chispa, comuníquese con el Servicio al Cliente de Real Flame al 1-800-654-1704.

Otros problemas comunes

Quegador atascado u obstruido

Es común que los insectos, especialmente las arañas, hagan telarañas o nidos dentro de los tubos del quemador. Si parece que está obteniendo poco flujo o no hay flujo, revise visualmente todas las aberturas del quemador en busca de señales de atascamiento. Si ve algo que obstruye el quemador use un limpiador de tubos o aire comprimido para retirar los desechos.

No hay gas

Cerciórese de que su tanque de gas LP no esté vacío. Los tanques con poco flujo pueden producir llamas más bajas.

Vientos fuertes

Los vientos fuertes pueden ocasionar que la llama se apague. No use cuando haya mucho viento.

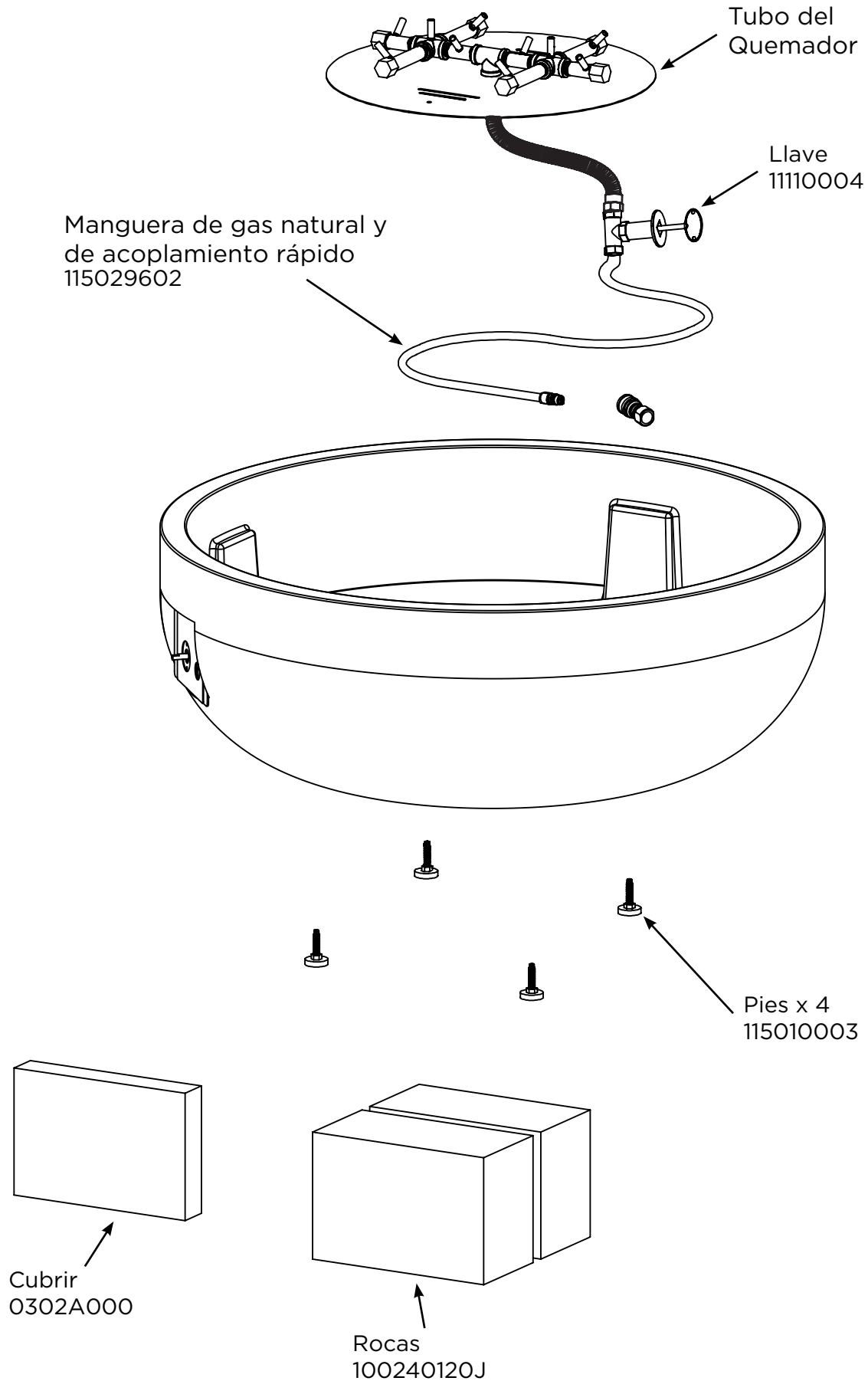
No hay gas

Cerciórese de que la válvula de cierra esté abierta.

Si continúa teniendo problemas con su chimenea, comuníquese con el Servicio al cliente de Real Flame al 1-800-654-1704.

LISTA DE PIEZAS TÉCNICAS

Para piezas de repuesto, comuníquese con Jensen Company al 1-800-654-1704.



GARANTÍA

JENSEN CO
ESTD 1982

Garantía Limitada

Real Flame® garantiza que los siguientes componentes de esta chimenea Jensen Company ("el Producto") estará libre de defectos de fabricación y materiales después el ensamble correcto y bajo el uso normal y el mantenimiento adecuado de los períodos indicados más abajo, comenzando con la fecha de compra del Producto:

- El cuerpo - 5 años de garantía limitada.
- Los componentes internos - 2 años de garantía limitada.
- El sistema de quemadores - garantía limitada de por vida.

Esta garantía se extiende al comprador original únicamente, siempre que la compra haya sido realizada a través de un distribuidor autorizado Real Flame. La garantía está también sujeta a las siguientes condiciones y limitaciones:

Esta garantía no se extiende a los daños ocasionados por transporte, ensamblaje inadecuado, instalación o almacenaje, instalación que no cumpla con los códigos y las ordenanzas de construcción, instalación u operación que no esté de acuerdo con el manual incluido, abuso, falta de mantenimiento, ambientes hostiles, accidentes, clima natural o reparaciones de baja calidad. La modificación del Producto, el uso de combustibles distintos a los aprobados por Real Flame, o el uso de piezas instaladas de otros fabricantes, anularán esta garantía.

Esta garantía se aplica a la funcionalidad del Producto únicamente y no cubre elementos cosméticos tales como raspones, hendiduras, corrosión, oxidación, corrosión o decoloración causada por el calor, limpiadores abrasivos y limpiadores químicos. Sin embargo, si el deterioro de las piezas ocurre a un grado que impida el funcionamiento dentro del período de la garantía, Real Flame proporcionará una pieza de reemplazo.

Real Flame exige una prueba razonable de su fecha de compra. Por lo tanto, usted debe conservar su recibo de venta y/o la factura. Las partes defectuosas sujetas a esta garantía no serán reemplazadas sin la prueba de compra.

Real Flame debe tener la oportunidad de verificar el defecto que alega. Para que cualesquiera de los componentes internos estén amparados bajo esta garantía, Real Flame exige que el usuario haga una localización de la avería con un miembro de servicio al cliente de Real Flame para garantizar el funcionamiento adecuado y el diagnóstico del problema.

En el caso de defectos amparados de los elementos garantizados, Real Flame, a su discreción, reemplazará el componente defectuoso, reemplazará el Producto o reembolsará el precio de compra. Real Flame no es responsable por la instalación, mano de obra u otros costos relacionados con la reinstalación. Lo anterior es el recurso exclusivo según los términos de esta garantía limitada. Real Flame no será responsable de los daños accidentales o resultantes causados por defectos en el Producto. Algunos estados no permiten la inclusión o limitación de daños accidentales o resultantes, así que es posible que la limitación o la exclusión puede que no apliquen para usted.

Esta garantía limitada es la única garantía expresa otorgada por Real Flame. La duración de cualquier garantía implícita que surja según las leyes de cualquier estado, incluyendo la garantía de mercantilidad o adecuación para un fin o uso en particular, está limitada a la duración de la garantía especificada anteriormente. Algunos estados no permiten limitaciones en cuanto a la duración de la garantía implícita, de modo que esta limitación puede no ser aplicable en su caso.

Esta garantía le otorga derechos legales específicos y usted puede tener también otros derechos que varían de un estado a otro.

Para el servicio de garantía:

1. Llame al Servicio al cliente de Real Flame al 1-800-654-1704 para apoyo técnico y para solución de problemas.
2. Si tiene problemas con el acabado, por favor rellene el formulario "Reclamo de la Garantía en Exterior" en www.realflame.com.

POLÍTICA DE DEVOLUCIÓN

Política de devolución

Usted puede devolver su compra en el plazo de 90 días de haberla recibido. No se emitirán reembolsos por devoluciones incompletas o no autorizadas. Todos los productos devueltos deben estar 100% completos, adecuadamente empacados en su empaque original y en condiciones de reventa. Los productos que han sido ensamblados o modificados no reúnen los requisitos para la devolución. Todos los artículos deben ser devueltos en su totalidad, lo cual significa que todos los artículos incluidos deben ser devueltos juntos. No se aceptan devoluciones o cambios de artículos discontinuados. Comience el proceso de devolución comunicándose con la tienda o la compañía donde adquirió su artículo Real Flame®.

Piezas de repuesto

En caso de que un artículo se haya perdido o dañado por parte del fabricante o en el envío, usted puede solicitar un reemplazo. Las piezas de reemplazo no están disponibles para todas las unidades y solo se suministran a la discreción de Real Flame. Nosotros evaluaremos cualquier daño y encontraremos una solución, lo cual puede incluir enviarle un reemplazo. No hay reemplazos disponibles para artículos discontinuados o productos reempacados (caja que ha sido abierta). Llame a Servicio al cliente de Real Flame al 1-800-654-1704 para las piezas de repuesto antes de devolver el artículo dañado. Tenga lista la siguiente información consigo (la cual puede encontrar en su manual de instrucciones) antes de llamar al Servicio al cliente:

- Número de modelo del artículo
- Número de pieza de 4-8 dígitos
- Número de código del lote
- Dirección de envío
- Se puede solicitar una foto del artículo dañado. Las fotos se pueden enviar a csrep@realflame.com

Orden incorrecta recibida

Si usted recibió algo distinto de lo que ordenó, comuníquese con el Servicio al cliente de Real Flame al 1-800-654-1704 en el plazo de 48 horas de haber recibido el artículo.

Consulte www.realflame.com para las pautas y políticas completas de devolución.

Registre su chimenea para las notificaciones de retiro del mercado, prueba de titularidad y aseguramiento de la calidad en <https://www.realflame.com/registration>.

Real Flame®
7800 Northwestern Ave.
Racine, WI 53406
USA

Servicio al cliente: 1-800-654-1704 en EE. UU.
Service à la clientèle: 1-800-363-6443 in Canada
csrep@realflame.com