



9000IS



9500IS



9000CJ



9000CD

# 9000 SERIES

PROFESSIONAL STEAM PRODUCTS

PRODUITS À VAPEUR PROFESSIONNELS

PRODUCTOS PROFESIONALES DE VAPOR

INSTRUCTION MANUAL

GUIDE D'UTILISATION

MANUAL DE INSTRUCCIONES



ENGLISH  
FRANÇAIS  
ESPAÑOL

01  
16  
29

THE 9000  
PROFESSIONAL STEAM PRODUCTS  
INSTRUCTION MANUAL  
ENGLISH

## RELIABLE. RIGHT THERE WITH YOU.

At Reliable, we do what we love, and take pride in doing it right. You want what's best for the people, places and things that matter in your life - from where you live to what you wear. So do we. From the start, we approach every product with a craftsman's attention to detail and passion for making it right. Quality, functionality, design and customer service play an equally important part in delivering what's right for you. With its stainless steel construction, and professional grade components; the 9000 Series will allow you to obtain the benefits of professional pressing or cleaning in a compact and convenient format.

For your safety and to fully enjoy the advantages of this product, please take a few minutes to read all the important safeguards and care instructions. Keep this manual handy and review the product warranty for your reference.

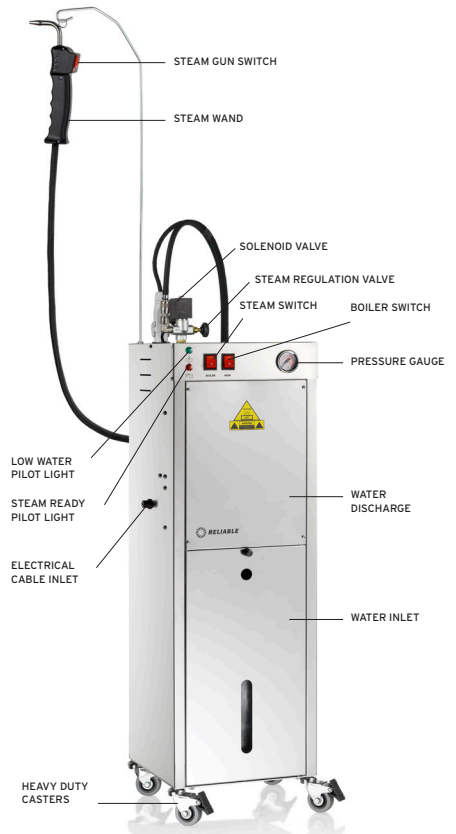
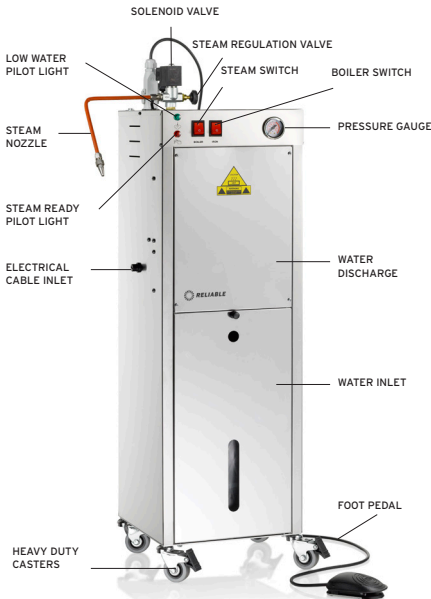
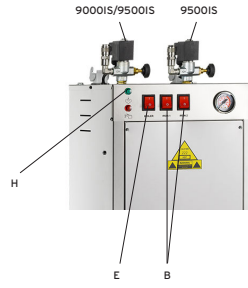
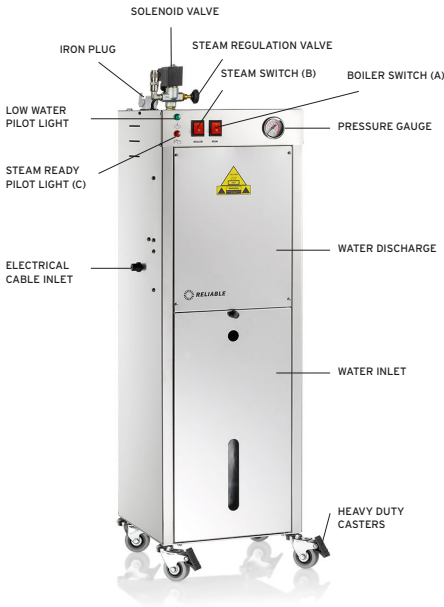
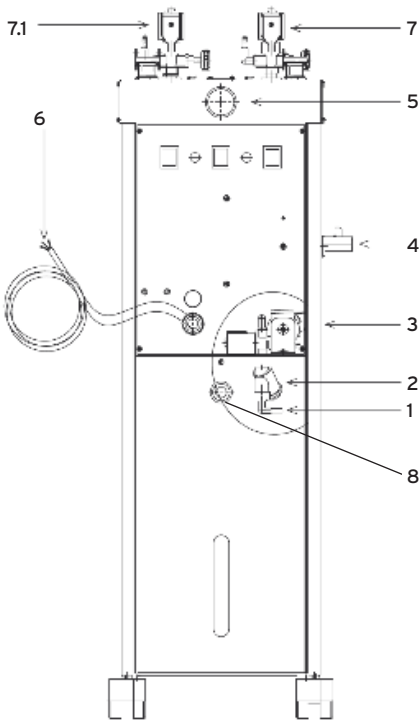


Fig. 5



- 1 = water inlet
- 2 = water filter
- 3 = pump
- 4 = water discharge
- 5 = pressure gauge
- 6 = power inlet
- 7 = solenoid valve
- 7.1 = solenoid valve
- 8 = water container valve

## THE INSTALLATION AND USE OF THIS PROFESSIONAL EQUIPMENT MUST BE DONE BY COMPETENT AND TRAINED PERSONNEL WITH APPROPRIATE TECHNICAL KNOWLEDGE AND UNDERSTANDING OF APPLICABLE SAFETY STANDARDS. BEFORE USING THIS EQUIPMENT IT IS NECESSARY TO CONDUCT THE FOLLOWING STEPS:

1. Water connection (tap with hose holder); the steam generator will be connected to the tap with hose holder labelled WATER INLET (fig. 5 #1), placed on the Boiler, via a rubber tube which must have a pressure capacity of at least 100 lbs. This rubber tube must be fixed tightly with 2 hose clamps. (NOTE: before inserting the rubber tube into the water inlet, you must flush a few litres of water in order to clean the conduit).
2. Protected electrical plug, suitable to the power voltage of the steam generator.
3. 9000IS - Screw the nozzle into the steam fitting and plug in the 4-pin receptacle for the electronic foot pedal. 9000CD - Connect the steam gun or steam brush the same way using the quick disconnect steam hose.
4. 9000IS/9500IS - Insert the two-piece wand into the flange on top of the boiler, tighten with the side screw and attach the spring on the iron hose to the coil end of the wand.

## PACKAGE OPENING

1. Remove the Boiler from the box, affix the wands, connect iron sockets and steam tubes, fix the iron cable to cable/steam wand support hook.

*ATTENTION: irons must be placed on their iron rests, on the ironing board.*

## CONNECTION TO WATER PIPE AND STARTING

1. Connect the rubber tube to the tube holder called WATER INLET placed on the steam generator and turn the water tap on.
2. Connect the power supply cable to a protected plug with a grounded switch, and a voltage suitable to the steam generator voltage.
3. After switching on the Boiler (A) and the irons and the steam switch (B), wait for the Boiler green pilot light to switch off (C) and for the pressure gauge to indicate 50-60 lbs. At this point press the steam button 3 or 4 times, so that the steam comes out: this must be carried out in order to heat up the



hose that delivers steam to the iron steam wand/nozzle. This prevents water leakage (the steam iron must always be held in such a way as not to harm the operator).

4. To adjust steam flow, regulate the steam adjustment tap (fig. 5/7.1: solenoid valve).
5. The Boiler is now ready for use. During use, the “steam ready” pilot light switches on and off (C).

*ATTENTION: Make sure that water is always available for the steam generator, the lack of water can cause air bubbles inside the conduit, i.e. the water will not reach the Boiler while the Boiler is under pressure. Without water, the pump will function for about a minute; after that the alarm will sound and will cause the automatic shut down of the entire unit.*

6. Water pressure should never go over 3.5 lbs, otherwise the pump will stop and, accordingly, the water will not reach the Boiler.

## CONNECTION TO THE WATER TANK

1. The Boiler is designed to be connected to a direct waterfeed. If a direct water-feed source is not available a water container kit is available.

*\*IF USING THE WATER CONTAINER KIT ENSURE THAT THE VALVE TO THE DIRECT FEED IS IN THE CLOSED POSITION.*

2. To assemble the kit please proceed as follows:
  - Open the front panel unscrewing the 4 screws.
  - Insert the silicon hose on the valve MC111 and place the opposite end into the water tank.
  - Insert the other silicon hose on the water inlet (1), placing the other end into the water tank.



CP089

## IMPORTANT

1. Use only tap water.
2. Flush the Boiler once a week, making sure that the unit is shut off and that the Boiler pressure is not over 0 lbs (pressure gauge). Open exhaust tap slowly (water discharge). During this operation wear appropriate regulation gloves, in order to avoid burns.
3. Never leave hot iron on the ironing board.
4. Connect the Boiler to suitable protected plug.
5. When not in use, switch the Boiler off and close the water tap; remember to open the water tap before switching on the machine again (only for the units connected to the direct waterfeed).
6. Always keep children away from the Boiler, both when it is on and off.
7. Make sure that during cold seasons the tubes that connect the Boiler to water supply do not freeze.
8. Do not put additives in the water.
9. Standard and extraordinary maintenance must be carried out by authorized personnel and all the components must be replaced only with original spare parts.

# WATER LEVEL PROBE CLEANING PROCEDURE

We recommend you clean the water level probe once a month. This cleaning operation must be carried out **ONLY** by authorized personnel. Please follow the cleaning instructions as indicated below:

1. REMOVE THE COVER OF THE LEVEL PROBE



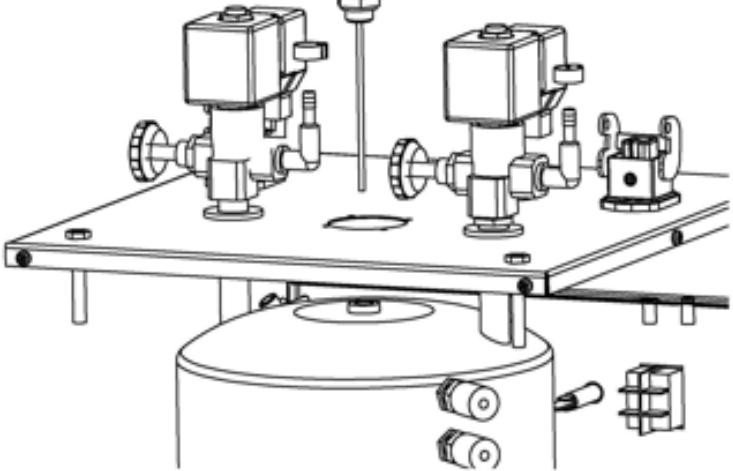
2. REMOVE THE CONNECTION PLUG



3. UNSCREW THE LEVEL PROBE WITH  
A TUBE SPANNER DIAM. 18MM



4. TAKE OUT THE LEVEL PROBE



## SPECIFICATIONS

Version 220V/110V Power supply:

Total Installed Power 1200W:

(Power Iron: W 800)

Boiler Power:

Pump Power: W 48-HZ 50 2/1 mm c f

Boiler Capacity: 5 L/1.3 Gal

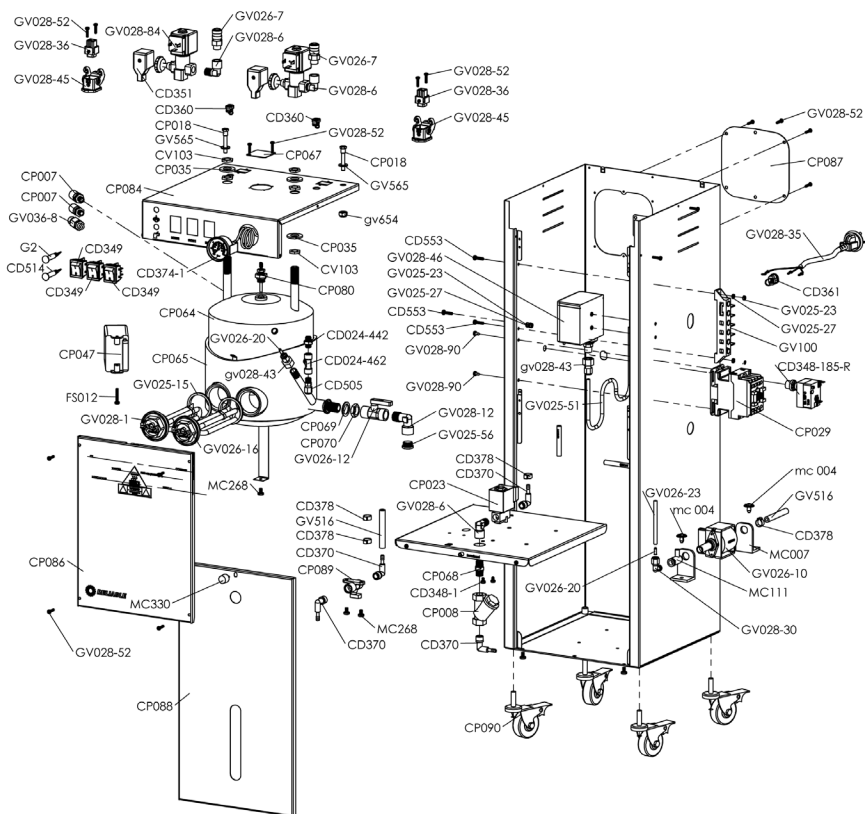
Ironing Endurance: CONTINUOUS

Operating Steam Pressure: 3,5 / 4 BAR

Maximum Pressure: 5,5 BAR

## IMPORTANT INFORMATION FOR CORRECT DISPOSAL OF THE PRODUCT

This product must not be disposed of as urban waste. It must be taken to a special local waste collection centre or to a dealer providing this service.



\*

Foot Pedal - GV028/71 (9000CJ)  
 Steam Nozzle - GV028/67 (9000CJ)  
 Steam Gun - 1700DA (9000CD)



RELIABLE CORPORATION LIFETIME  
PRODUCT WARRANTY POLICY FOR  
PRESSURIZED STEAM BOILER TANKS



**Reliable Corporation (“Reliable”) warrants to the original purchaser of the boiler noted above from Reliable (the “Reliable Boiler Tank”) that it will be free from defects in materials and workmanship when utilized for normal use by the original purchaser only. Should the Reliable Boiler Tank need replacement, Reliable will do so at no parts and labor cost to the original purchaser, exclusive of shipping.**

Subject to the conditions and limitations set forth below, Reliable will either repair or replace any part of a Reliable Boiler Tank that proves defective by reason of improper workmanship or materials. If the defective Reliable Boiler Tank is no longer available and cannot be repaired effectively or replaced with an identical model, Reliable shall replace the defective Reliable Boiler Tank with a current Reliable Boiler Tank of equal or greater value. Repaired parts or replacement products will be provided by Reliable on an exchange basis, and will be either new or refurbished to be functionally equivalent to new. If Reliable is unable to repair or replace a Reliable Boiler Tank, it will refund the current value of that Reliable Boiler Tank at the time the warranty claim is made.

This limited warranty does not cover any damage to a Reliable Boiler Tank that results from improper installation, accident, abuse, misuse, unreasonable use, natural disaster, insufficient or excessive electrical supply, abnormal mechanical or environmental conditions or any unauthorized disassembly, repair or modification. This limited warranty does not extend to any indirect, consequential or incidental damages that may be suffered by a user from the use of a Reliable Boiler Tank, including without limitation, any liability for third party claims for damage, and is limited to the amount paid by the original purchaser for the Reliable Boiler Tank with respect to which this limited warranty protection applies. This limited warranty does not apply with respect to products that have been altered or which are missing serial numbers or for products not purchased directly from Reliable or a dealer authorized by Reliable to sell the Reliable Boiler Tank.

This limited warranty is the only warranty that applies to the Reliable Boiler Tank, supersedes any and all terms that may be contained in any other document or purchase order and may not be altered or amended except expressly in writing by Reliable.

To obtain a repair or replacement under the terms of this warranty, please contact our customer service group at 1 800 268 1649 or at [support@reliablecorporation.com](mailto:support@reliablecorporation.com). You will be required to submit an original receipt via fax or e-mail. The receipt must reflect that you are the original purchaser, the product was bought directly from Reliable or from an authorized Reliable dealer and that the warranty claim is being made in compliance with the terms set out in this document or any subsequent document issued by Reliable in connection with this policy. You will be issued a return authorization number (RA#) and asked to ship the defective product together with proof of purchase and RA#, prepaid insured to the following address: Reliable Corporation, 5-100 Wingold Ave, Toronto, ON M6B 4K7.

Freight collect shipments will be refused. The risk of loss or damage in transit will be borne by the customer. Once Reliable receives the defective product, it will initiate the repair or replacement process.



Reliable Corporation (“Reliable”) warrants to original purchaser of its products that every product sold by Reliable (a “Reliable Product”) is free from defects in material and workmanship for a period of one year from the date of purchase if properly used and maintained. Subject to the conditions and limitations set forth below, Reliable will either repair or replace any part of a Reliable Product that proves defective by reason of improper workmanship or materials. If the defective Reliable Product is no longer available and cannot be repaired effectively or replaced with an identical model, Reliable shall replace the defective Reliable Product with a current Reliable Product of equal or greater value. Repaired parts or replacement products will be provided by Reliable on an exchange basis, and will be either new or refurbished to be functionally equivalent to new. If Reliable is unable to repair or replace a Reliable Product, it will refund the current value of that Reliable Product at the time the warranty claim is made.

This limited warranty does not cover any damage to a Reliable Product that results from improper installation, accident, abuse, misuse, natural disaster, insufficient or excessive electrical supply, abnormal mechanical or environmental conditions, wear and tear resulting from normal use of the product, or any unauthorized disassembly, repair, or modification. This limited warranty does not extend to any indirect, consequential or incidental damages that may be suffered by a user or from the use of a Reliable Product, including without limitation, any liability for third party claims for damage, and is limited to the amount paid by the original purchaser Reliable Product with respect to which this limited warranty protection applies. This limited warranty does not apply with respect to products that have been altered or which are missing serial numbers or for products not purchased directly from Reliable or a dealer authorized by us to sell Reliable Products.

This limited warranty is the only warranty that applies to any Reliable Product, supersedes any and all terms that may be contained in any other document or purchase order and may not be altered or amended except expressly in writing by Reliable.

To obtain a repair or replacement under the terms of this warranty, please contact our customer service group at 1-800-268-1649 or at [support@reliablecorporation.com](mailto:support@reliablecorporation.com). You will be required to submit an original receipt via fax or e-mail. The receipt must reflect that you are the original purchaser, the product was bought directly from us or from an authorized Reliable dealer and that the warranty claim is being made within the warranty period. You will be issued a return authorization number (RA#) and asked to ship the defective product together with proof of purchase and RA#, prepaid insured to the following address:

Reliable Corporation, 5-100 Wingold Avenue, Toronto, ON M6B 4K7. Freight collect shipments will be refused. The risk of loss or damage in transit will be borne by the customer. Once Reliable receives the defective product, it will initiate the repair or replacement process.

If you have any questions regarding this warranty, you may write to:

Reliable Corporation  
100 Wingold Avenue, Unit 5  
Toronto, Ontario  
Canada M6B 4K7  
[www.reliablecorporation.com](http://www.reliablecorporation.com)



LES PRODUITS À VAPEUR  
PROFESSIONNELS 9000  
MANUEL D'INSTRUCTIONS  
FRANÇAIS

## RELIABLE. PROCHE DE VOUS.

Chez Reliable, nous faisons ce que nous aimons et sommes fiers de bien le faire. Vous voulez ce qu'il y a de mieux pour les personnes, les lieux et les choses importantes de votre vie - depuis l'endroit où vous vivez jusqu'aux vêtements que vous portez. Nous aussi. Depuis le début, nous approchons chaque produit avec une attention aux détails artisanale et la passion de le fabriquer. La qualité, la fonctionnalité, la conception et le service à la clientèle jouent des rôles également importants dans notre mission de vous fournir ce qui vous correspond. Avec sa fabrication en acier inoxydable et ses composants de qualité professionnelle ; la 9000 vous permettra d'obtenir les avantages du repassage ou d'un nettoyage professionnel dans un format compact et pratique.

Pour votre sécurité et pour profiter pleinement des avantages de ce produit, veuillez prendre quelques minutes pour lire toutes les importantes mises en garde et les directives d'entretien. Gardez ce manuel et la garantie du produit à portée de main pour vous y référer ultérieurement.

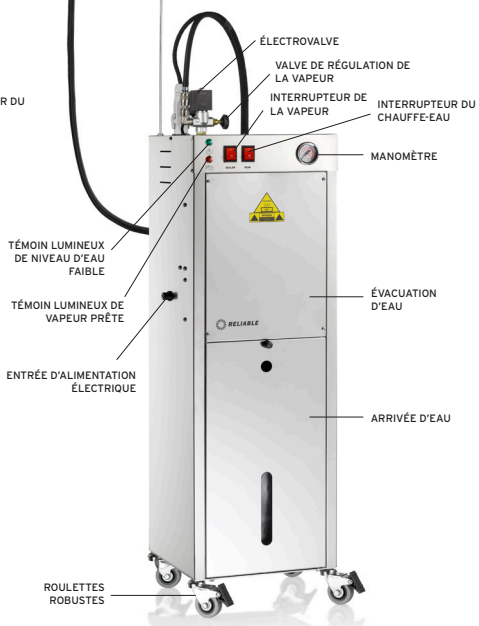
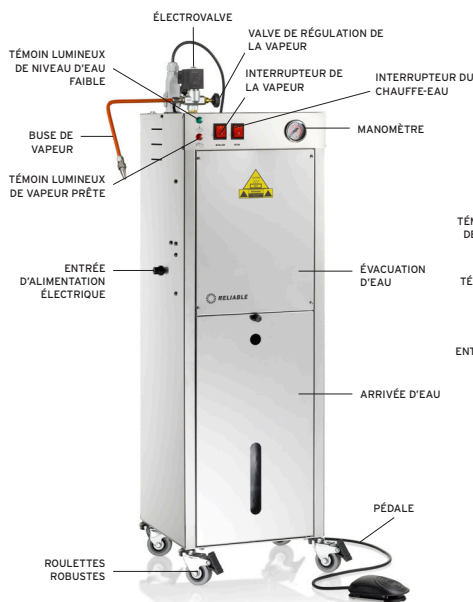
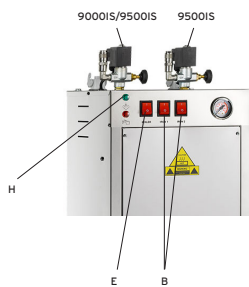
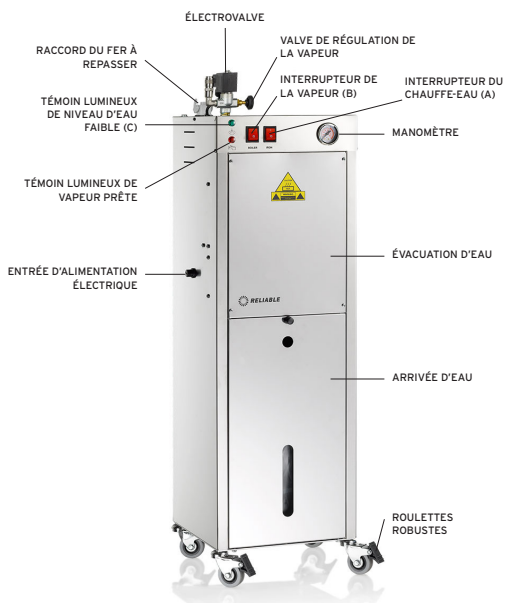
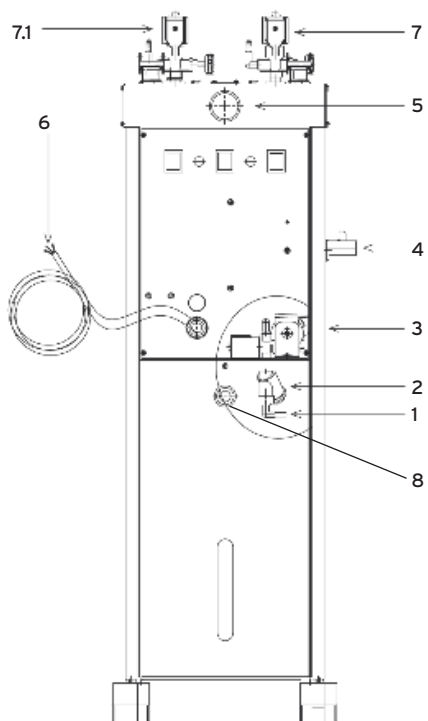


Fig. 5



1 = d'entrée d'eau

2 = filtre à eau

3 = pompe

4 = valve de purge d'eau

5 = manomètre

6 = entrée d'alimentation électrique

7 = électrovanne

7.1 = électrovanne

8 = vanne du réservoir d'eau

L'INSTALLATION ET L'UTILISATION DE CET ÉQUIPEMENT PROFESSIONNEL DOIVENT ÊTRE EFFECTUÉES PAR UN PROFESSIONNEL COMPÉTENT, QUI POSSÈDE LES CONNAISSANCES TECHNIQUES NÉCESSAIRES ET RESPECTE LES RÈGLES DE SÉCURITÉ EN VIGUEUR. AVANT D'INSTALLER LE CHAUFFE-EAU, IL EST NÉCESSAIRE DE METTRE EN PLACE LES INSTALLATIONS SUIVANTES :

1. Raccord d'eau (robinet avec support de tuyauterie); le générateur de vapeur sera connecté au robinet avec le support de tuyauterie appelé L'ARRIVÉE D'EAU (fig. 5 #1), placé sur le chauffe-eau au moyen d'un tube en caoutchouc qui doit avoir une capacité de pression d'au moins 100 lbs. Ce tube en caoutchouc doit être fermement fixé avec 2 colliers de serrage. (NB : avant d'insérer le tube en caoutchouc dans le d'entrée d'eau flush, vous devez verser quelques litres d'eau pour nettoyer le conduit).
2. Prise électrique protégée, adaptée à la tension électrique du générateur de vapeur.
3. 9000IS - Vissez l'embout dans le raccord de la tuyauterie de vapeur et branchez la prise à 4 broches de la pédale électronique. 9000CD - Raccordez le pistolet à vapeur ou la brosse à vapeur de la même façon à l'aide du tuyau de vapeur à raccord démontable.
4. 4. 9000IS/9500IS - Insérez le bec en 2 pièces dans la bride en haut du chauffe-eau, serrez à l'aide de la vis de fixation latérale et fixez le ressort sur le tuyau du fer à repasser jusqu'à l'extrémité d'enroulement du bec.

## OUVERTURE DE L'EMBALLAGE

1. Retirez le chauffe-eau de la boîte, fixez les tubes droits, connectez les prises du fer et les tubes à vapeur, fixez le câble du fer au crochet de support pour câbles.

*ATTENTION : les fers doivent être placés sur leurs supports, sur la table à repasser.*

## RACCORDEMENT AU TUYAU D'EAU ET MISE EN ROUTE

1. Branchez le tube en caoutchouc au support pour tubes appelé L'ARRIVÉE D'EAU situé sur le générateur de vapeur et ouvrez le robinet d'eau.
2. Branchez le câble d'alimentation électrique à une prise protégée avec un

interrupteur de prise de terre, conformément au règlement en vigueur et avec une tension électrique adaptée aux caractéristiques du générateur de vapeur.

3. Après la mise sous tension du chauffe-eau (A) et des fers (B), attendez que le témoin lumineux vert du chauffe-eau s'éteigne (C) et que le manomètre indique 50-60 lbs. À ce stade, saisissez le fer par la poignée en liège et appuyez sur le bouton de vapeur 3 ou 4 fois, afin que la vapeur sorte : cette opération doit être effectuée afin de chauffer le tuyau qui amène la vapeur jusqu'au fer. De cette façon, vous éviterez également que de petites gouttes d'eau tombent (le fer à vapeur doit toujours être maintenu de manière à ne pas blesser l'opérateur).
4. Pour réguler le débit de vapeur, ajustez le robinet de réglage de la vapeur (fig. 5/7.1).
5. Après cette opération, le chauffe-eau est prêt à l'emploi. Pendant le repassage, le témoin lumineux « vapeur prête » s'allume et s'éteint (C)

*ATTENTION : Assurez-vous que l'eau est toujours disponible pour le générateur de vapeur, sinon le manque d'eau peut provoquer des bulles d'air à l'intérieur du conduit, c'est à dire que l'eau n'atteindra pas le chauffe-eau lorsqu'il est sous pression. En cas de manque d'eau, la pompe fonctionnera pendant environ une minute, ensuite l'alarme continuera de sonner et entraînera l'arrêt automatique de l'unité entière.*

6. La pression de l'eau ne devra jamais dépasser 3,5 lbs, sinon la pompe s'arrêtera et par conséquent, l'eau n'atteindra pas le chauffe-eau.

## RACCORDEMENT AU RÉSERVOIR D'EAU

1. Le chauffe-eau a été conçu pour être connecté à une alimentation d'eau directe. Si une source d'alimentation d'eau directe n'est pas disponible, un kit de réservoir d'eau (en option) est disponible.

*\*SI VOUS UTILISEZ LE KIT DE RÉSERVOIR D'EAU, ASSUREZ-VOUS QUE LA VANNE DE L'ALIMENTATION DIRECTE EST MAINTENUE EN POSITION FERMÉE.*

2. Pour assembler le kit, veuillez procéder comme suit :
  - Ouvrez le panneau avant en dévissant les 4 vis de fixation.
  - Introduisez le tuyau en silicone dans la vanne MC111 et placez l'autre extrémité dans le réservoir d'eau.
  - Introduisez l'autre tuyau en silicone sur le raccord en « L » (1), en plaçant l'autre extrémité dans d'entrée d'eau.





## IMPORTANT

1. Utilisez uniquement de l'eau normale.
2. Rincez le chauffe-eau une fois par semaine, en vous assurant que l'appareil est éteint et que la pression du chauffe-eau ne dépasse pas 0 lbs (manomètre). Pour effectuer cette opération, ouvrez lentement le robinet d'évacuation. Pendant cette opération, portez des gants appropriés aux réglementations, afin d'éviter des brûlures.
3. Ne laissez jamais le fer chaud sur la table à repasser.
4. Connectez le chauffe-eau à une prise protégée adaptée.
5. Une fois le repassage terminé, éteignez le chauffe-eau et fermez le robinet d'eau; n'oubliez pas d'ouvrir le robinet d'eau avant de remettre la machine sous tension (uniquement pour les appareils reliés à une alimentation d'eau directe).
6. Maintenez toujours les enfants à l'écart du chauffe-eau, qu'il soit allumé ou éteint.
7. Assurez-vous que durant la saison froide les tubes qui raccordent le chauffe-eau à l'arrivée d'eau ne gèlent pas.
8. N'ajoutez pas d'additifs à l'eau.
9. L'entretien courant et extraordinaire doit être effectué par du personnel autorisé et tous les composants doivent uniquement être remplacés par des pièces de rechange d'origine.

## PROCÉDURE DE NETTOYAGE DU CAPTEUR DE NIVEAU D'EAU

Nous vous recommandons de nettoyer le capteur de niveau d'eau une fois par mois. Les opérations de nettoyage doivent **UNIQUEMENT** être effectuées par du personnel autorisé. Veuillez suivre les instructions de nettoyage comme indiqué ci-dessous :

1- RETIREZ LE COUVERCLE DU CAPTEUR DE NIVEAU



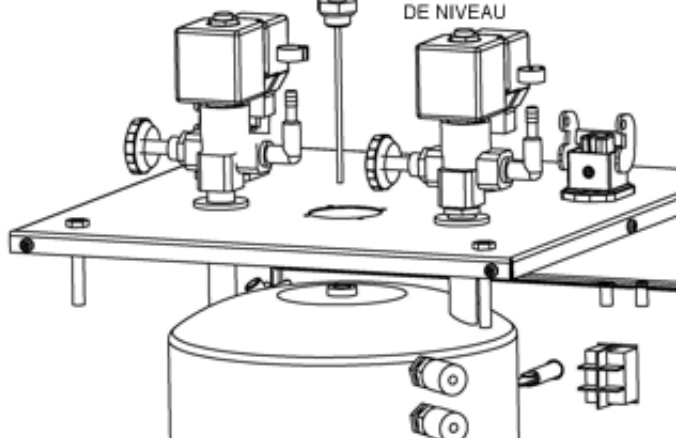
2 - RETIREZ LE TERMINAL



3 - DÉVISSEZ LE CAPTEUR DE NIVEAU  
À L'AIDE D'UNE CLÉ À TUBE DIA.  
18 MM



4 - RETIREZ LE CAPTEUR DE NIVEAU



## SPÉCIFICATIONS

Alimentation électrique version 220V/110V :

Puissance totale installée 1200 W :

(Puissance du fer : 800 W)

Puissance du chauffe-eau :

Puissance de la pompe : 48 W - 50 HZ 2/1 mm c f

Capacité du chauffe-eau : 5 L/1,3 Gal

Résistance du repassage : CONTINUE

Pression de fonctionnement de la vapeur : 3,5/4 bar

Pression maximum : 5,5 BAR

## INFORMATIONS IMPORTANTES POUR L'ÉLIMINATION CORRECTE DU PRODUIT

Au terme de sa vie utile, le produit ne doit pas être éliminé avec les déchets urbains. Il doit être déposé dans un centre spécial de ramassage différentiel des déchets dépendant des autorités locales ou auprès d'un revendeur fournissant ce service.



**Reliable Corporation (« Reliable ») garantit à l'acheteur original du chauffe-eau susmentionné de Reliable (le « réservoir de chauffe-eau Reliable ») qu'il sera exempt de tout défaut de fabrication et de main d'œuvre dans le cadre d'une utilisation normale par l'acheteur original uniquement. Si un remplacement du réservoir de chauffe-eau Reliable s'avérait nécessaire, Reliable y procédera sans aucun frais de pièces ni de main d'œuvre pour l'acheteur original, à l'exclusion des frais d'expédition.**

Soumis aux conditions et limitations établies ci-après, Reliable réparera ou remplacera toute pièce d'un réservoir de chauffe-eau Reliable qui s'avère défectueux en raison d'un défaut de fabrication ou de matériaux défectueux. Si le réservoir de chauffe-eau Reliable défectueux n'est plus disponible et ne peut pas être réparé efficacement ou remplacé par un modèle identique, Reliable remplacera le réservoir de chauffe-eau Reliable défectueux par un réservoir de chauffe-eau Reliable actuel de valeur équivalente ou supérieure. Les pièces réparées ou les produits remplacés seront fournis par Reliable sur la base d'un échange, et seront soit neufs ou remis à neuf pour être fonctionnellement équivalents aux neufs. Si Reliable n'est pas en mesure de réparer ou de remplacer un réservoir de chauffe-eau Reliable, elle remboursera la valeur actuelle dudit réservoir de chauffe-eau Reliable au moment où la réclamation de garantie est réalisée.

Cette garantie limitée ne couvre aucun dommage subi par un réservoir de chauffe-eau Reliable résultant d'une installation incorrecte, d'un accident, d'un abus, d'une mauvaise utilisation, d'une utilisation déraisonnable, d'une catastrophe naturelle, d'une alimentation électrique insuffisante ou excessive, de conditions mécaniques ou environnementales anormales, ou de tout démontage, réparation ou modification non autorisé. Cette garantie limitée ne s'étend à aucun dommage indirect ou direct dont peut être victime un utilisateur suite à l'utilisation d'un réservoir de chauffe-eau Reliable, y compris mais sans s'y limiter, toute responsabilité pour des réclamations de tiers pour des dégâts, et se limite au montant payé par l'acheteur original du réservoir de chauffe-eau auquel cette protection de garantie limitée s'applique. Cette garantie limitée ne s'applique pas aux produits qui ont été modifiés ou dont les numéros de séries sont manquants, ou aux produits non achetés directement auprès de Reliable ou d'un revendeur agréé par Reliable pour vendre des réservoirs de chauffe-eau Reliable.

Cette garantie limitée est l'unique garantie qui s'applique au réservoir de chauffe-eau Reliable, elle remplace toutes conditions qui peuvent être contenues dans un autre document ou bon de commande et ne peut être transformée ou modifiée, sauf dérogation expressément écrite de Reliable.

Pour obtenir une réparation ou un remplacement en vertu des conditions de cette garantie, veuillez contacter notre service à la clientèle au 1 800 268 1649 ou par courriel à [support@reliablecorporation.com](mailto:support@reliablecorporation.com). Il vous sera demandé d'envoyer le reçu original par fax ou courriel. Le reçu doit prouver que vous êtes l'acheteur original, que le produit a été acheté directement chez Reliable ou chez un revendeur agréé par Reliable et que la réclamation de garantie est effectuée conformément aux conditions définies dans le présent document ou tout document subséquent publié par Reliable en rapport avec la présente garantie. Un numéro d'autorisation de retour (N° AR) vous sera donné et il vous sera demandé d'expédier le produit défectueux accompagné de la preuve d'achat et du N° AR, les frais d'assurances étant prépayés à l'adresse suivante : Reliable Corporation, 5-100 Wingold Ave, Toronto, ON M6B 4K7.

Les expéditions avec fret à destination seront refusées. Le risque de perte ou d'endommagement lors du transport sera assumé par le client. Une fois que Reliable aura reçu le produit défectueux, elle initiera la réparation ou le remplacement.

Reliable Corporation (« Reliable ») garantit à l'acheteur original de ce produit que chaque produit vendu par Reliable (un « Produit Reliable ») est exempt de tout défaut de pièce et de main d'œuvre pour une période d'un an à compter de la date d'achat, s'il est utilisé et entretenu correctement. Sous réserve des conditions et des restrictions énoncées ci-dessous, Reliable réparera ou remplacera toute pièce d'un produit Reliable qui s'avère défectueuse en raison d'un défaut de fabrication ou de matériaux défectueux. Si le Produit Reliable défectueux n'est plus disponible et ne peut pas être réparé efficacement ou remplacé par un modèle identique, Reliable remplacera le Produit Reliable défectueux par un Produit Reliable actuel de valeur équivalente ou supérieure. Les pièces réparées ou les produits remplacés seront fournis par Reliable sur la base d'un échange, et seront soit neufs ou remis à neuf pour être fonctionnellement équivalents aux neufs. Si Reliable n'est pas en mesure de réparer ou de remplacer le Produit Reliable, elle remboursera la valeur actuelle du Produit Reliable au moment où la réclamation de garantie est réalisée.

Cette garantie limitée ne couvre aucun dommage subi par un Produit Reliable résultant d'une installation incorrecte, d'un accident, d'un abus, d'une mauvaise utilisation, d'une catastrophe naturelle, d'une alimentation électrique insuffisante ou excessive, de conditions mécaniques ou environnementales anormales, de l'usure et de la détérioration résultant de l'usure normale du produit, ou de tout démontage, réparation ou modification non autorisés. Cette garantie limitée ne couvre pas les dommages directs, indirects ou consécutifs dont peut être victime un utilisateur ou suite à l'utilisation d'un Produit Reliable, y compris mais sans s'y limiter, toute responsabilité pour des réclamations de tiers pour des dégâts, et se limite au montant payé par l'acheteur original du Produit Reliable auquel cette protection de garantie limitée s'applique. Cette garantie limitée ne s'applique pas aux produits qui ont été modifiés ou dont les numéros de séries sont manquants, ou aux produits non achetés directement auprès de Reliable ou d'un revendeur agréé pour vendre des Produits Reliable.

Cette garantie limitée est l'unique garantie qui s'applique à tout Produit Reliable, elle remplace toutes conditions qui peuvent être contenues dans un autre document ou bon de commande et ne peut être transformée ou modifiée, sauf dérogation expressément écrite de Reliable.

Pour obtenir une réparation ou un remplacement en vertu des conditions de cette garantie, veuillez contacter notre service à la clientèle au 1-800-268-1649 ou par courriel à support@reliablecorporation.com. Il vous sera demandé d'envoyer le reçu original par fax ou courriel. Le reçu doit prouver que vous êtes l'acheteur original, que le produit a été acheté directement chez nous ou chez un revendeur agréé par Reliable et que la réclamation de garantie est effectuée pendant la période de garantie. Un numéro d'autorisation de retour (N° AR) vous sera donné et il vous sera demandé d'expédier le produit défectueux accompagné de la preuve d'achat et du N° AR, les frais d'assurances étant prépayés à l'adresse suivante :

Reliable Corporation, 5-100 Wingold Avenue, Toronto, ON M6B 4K7. Les expéditions avec fret à destination seront refusées. Le risque de perte ou d'endommagement lors du transport sera assumé par le client. Une fois que Reliable aura reçu le produit défectueux, elle initiera la réparation ou le remplacement.

Si vous avez des questions concernant la présente garantie, vous pouvez écrire à :

Reliable Corporation  
100 Wingold Avenue, Unit 5  
Toronto, Ontario  
Canada M6B 4K7  
[www.reliablecorporation.com](http://www.reliablecorporation.com)

LA 9000  
PRODUCTOS DE VAPOR  
PROFESIONALES  
MANUAL DE INSTRUCCIONES  
ESPAÑOL



## RELIABLE. JUNTO A USTED.

En Reliable, hacemos lo que nos encanta hacer y nos enorgullecemos de hacerlo bien. Quiere lo mejor para las personas, los lugares y las cosas que importan en la vida: desde dónde vive a la ropa que viste. Nosotros también. Desde el inicio, abordamos cada producto con la atención al detalle de un artesano y la pasión por hacerlo bien. La calidad, la funcionalidad, el diseño y el servicio al consumidor son igual de importantes para ofrecerle algo adecuado para usted. Con su estructura de acero inoxidable y sus componentes de calidad profesional, la 9000 le permitirá obtener los beneficios de un planchado o un lavado al vapor de tipo profesional, en un formato compacto y conveniente.

Por su seguridad y para disfrutar al máximo las ventajas de este producto, tómese unos minutos para leer todas las precauciones importantes e instrucciones de cuidado. Conserve este manual a mano y lea la garantía del producto para su referencia.

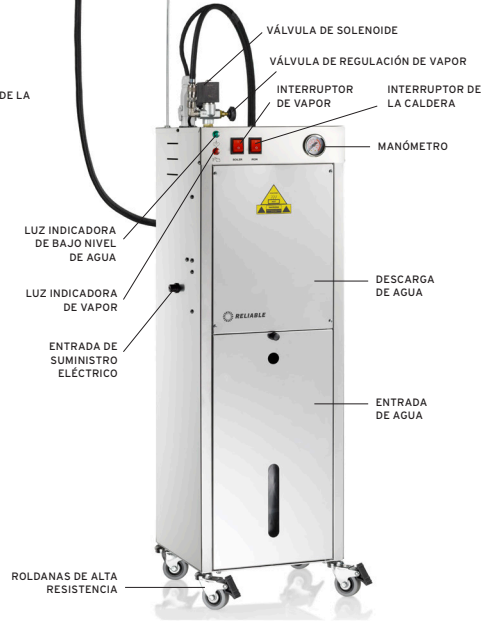
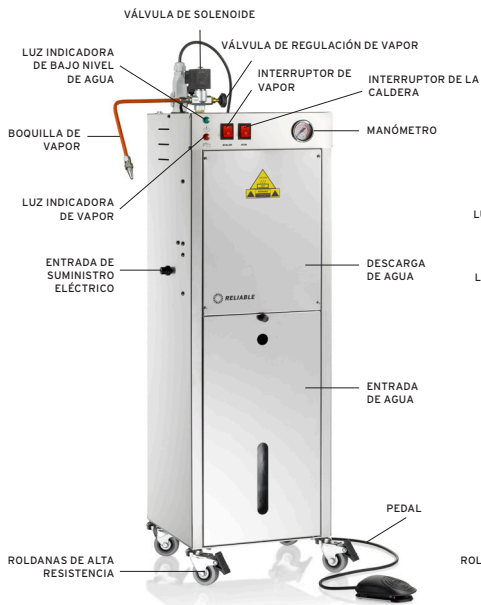
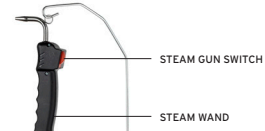
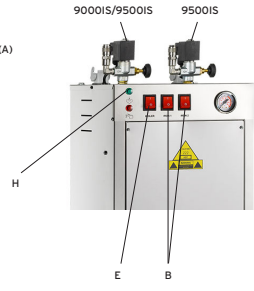
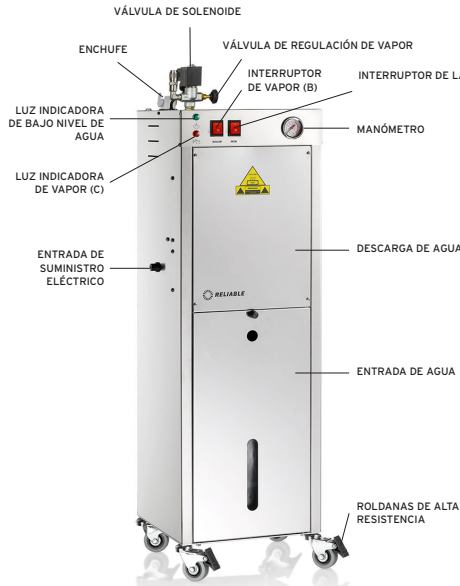
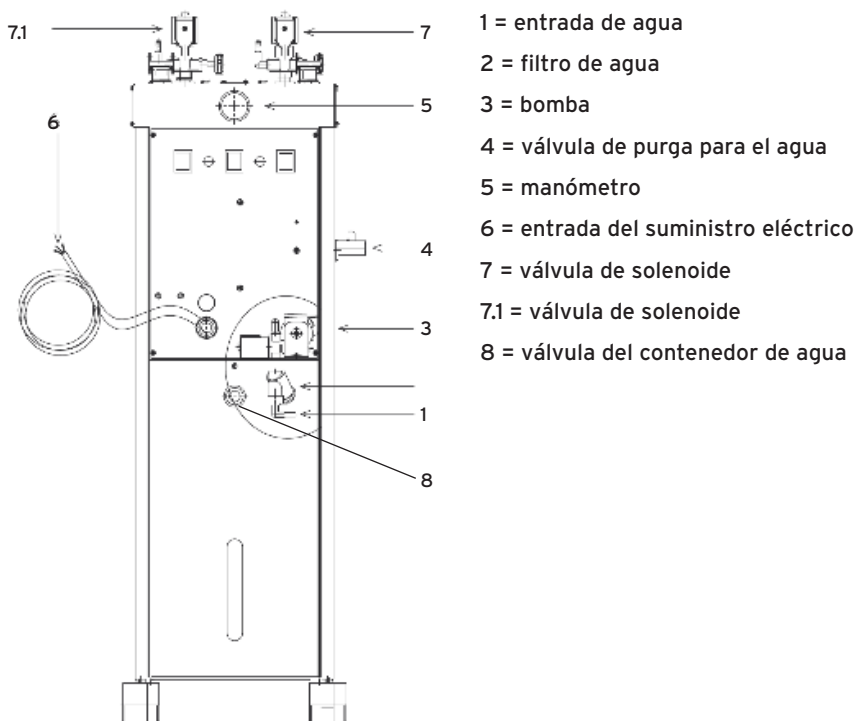


Figura 5



## LA INSTALACIÓN Y EL USO DE ESTE EQUIPO PROFESIONAL DEBERÁN ESTAR A CARGO DE PERSONAL COMPETENTE QUE CUENTE CON EL CONOCIMIENTO TÉCNICO APROPIADO Y RESPETE LAS LEYES DE SEGURIDAD VIGENTES. ANTES DE INSTALAR LA CALDERA, ES NECESARIO PREPARAR LAS SIGUIENTES INSTALACIONES:

1. Conexión de agua (grifo con soporte para manguera); el generador de vapor se conectará al grifo con el soporte para manguera llamado ENTRADA DE AGUA (figura 5 #1), colocado en la Caldera mediante un tubo de caucho, que debe mantener la capacidad de presión de al menos 100 libras. Este tubo de caucho debe fijarse fuerte con dos abrazaderas para manguera. (Nota: antes de insertar el tubo de caucho en entrada de agua, deberá rubor unos cuantos litros de agua para poder limpiar el conducto).
2. Enchufe eléctrico protegido, adecuado para el voltaje del generador de vapor.
3. 9000IS - Enrosque la boquilla en el adaptador de vapor y conecte el receptáculo de 4 clavijas para el pedal electrónico. 9000CD - Conecte la pistola o el cepillo de vapor de la misma forma usando la desconexión rápida para la manguera de vapor.
4. 9000IS/9500IS - Inserte la varilla de dos piezas en la pestaña de la parte superior de la caldera, ajuste con el tornillo lateral y acople el resorte a la manguera al extremo enrollado de la varilla.

## ABERTURA DEL EMPAQUE

1. Saque la Caldera de la caja, coloque las varillas, conecte los tomacorrientes de la plancha y los tubos de vapor, conecte el cable de la plancha con el gancho de soporte del cable.

**ATENCIÓN:** las planchas deberán colocarse en los soportes sobre la tabla para planchar.

## CONEXIÓN AL CONDUCTO DE AGUA Y PUESTA EN MARCHA

1. Conecte el tubo de caucho al soporte del tubo llamado ENTRADA DE AGUA que está ubicado en el mismo generador de vapor y abra el grifo del agua.
2. Conecte el cable de suministro eléctrico al enchufe protegido con el interruptor de protección de puesta a tierra, para hacerlo, tenga en cuenta la ley vigente y el voltaje adecuado para las características del generador de vapor.

3. Después de encender la caldera (A) y las planchas (B), espere que la luz verde del piloto de la caldera se apague (C) y que el manómetro indique de 50 a 60 libras. A continuación, tome la plancha por el asa de corcho y presione el botón del vapor tres o cuatro veces, para que el vapor salga; esta operación debe realizarse para poder calentar la manguera que lleva el vapor hacia la plancha. De esta forma, también previene que caigan pequeñas gotas de agua sobre las prendas (la plancha de vapor siempre debe sostenerse de tal forma que no moleste al operador, es decir, con la plancha siempre en dirección hacia abajo).
4. Para ajustar el flujo del vapor, regule el grifo regulador de vapor (fig. 5/7.1).
5. Después de esta operación, la caldera está lista para usarse. Durante el planchado, la luz del piloto que indica que el "vapor está listo" se enciende y apaga (C).

*ATENCIÓN: Asegúrese de que el agua siempre esté disponible para el generador de vapor, ya que de lo contrario, la falta de agua puede causar burbujas de aire dentro del conducto, es decir, que el agua no llegará hasta la caldera mientras la caldera está bajo presión. En caso de falta de agua, la bomba funcionará durante aproximadamente un minuto; después de eso, la alarma se encenderá y causará el apagado automático de toda la unidad.*

6. La presión del agua nunca debe sobrepasar las 3.5 libras, ya que de otra forma la bomba se detendrá y por consiguiente, el agua no llegará a la caldera.

## CONEXIÓN AL TANQUE DE AGUA

1. La Caldera está diseñada para ser conectada a una inyección de agua directa. Si no está disponible una fuente de inyección de agua, tiene a disposición un kit con un contenedor de agua (opcional).

*\*SI USA EL KIT DEL CONTENEDOR DE AGUA, ASEGÚRESE DE QUE LA VÁLVULA DE LA ALIMENTACIÓN DIRECTA ESTÉ CERRADA.*

2. Para ensamblar el kit proceda como se indica a continuación:
  - Abra el panel frontal y desatornille los cuatro tornillos de sujeción.
  - Inserte la manguera de silicona en la válvula MC111 y coloque el extremo opuesto en el tanque de agua.
  - Inserte la otra manguera de silicona en la unión en entrada de agua (1) y coloque el otro extremo en el tanque de agua.

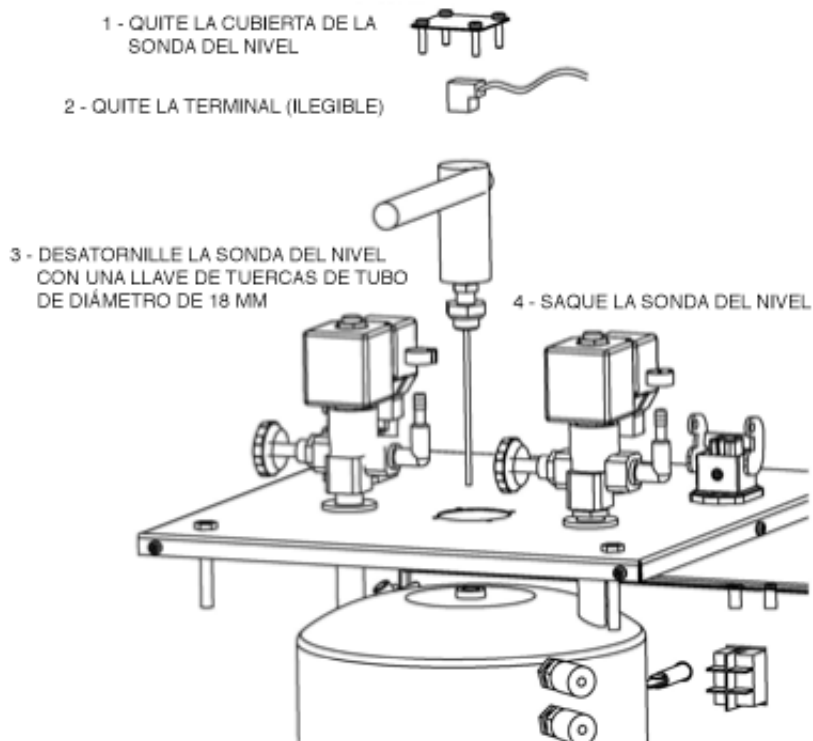


## IMPORTANTE

1. Use únicamente agua normal.
2. Enjuague la Caldera una vez a la semana y asegúrese de que la unidad esté apagada y que la presión de la Caldera no sobrepase 0 lb (manómetro). Para llevar a cabo esta operación, abra el grifo de escape lentamente (grifo de descarga). Durante esta operación use los guantes reglamentarios apropiados para evitar quemaduras.
3. Nunca deje la plancha caliente sobre la tabla de planchar.
4. Conecte la Caldera a un enchufe protegido adecuado.
5. Después de terminar, apague la Caldera y cierre el grifo del agua; recuerde abrirlo antes de encender la máquina nuevamente (únicamente para las unidades conectadas a una inyección de agua directa).
6. Siempre mantenga a los niños alejados de la Caldera, tanto cuando esté apagada como encendida.
7. Asegúrese de que durante la temporada de clima frío, los tubos que conectan la Caldera a la fuente de agua no se congelen.
8. No le ponga aditivos al agua.
9. El mantenimiento estándar y el extraordinario deben ser realizados por personal autorizado y todos los componentes deben reemplazarse únicamente con las piezas de repuestos originales.

## PROCEDIMIENTO DE LIMPIEZA DE LA Sonda DEL NIVEL DE AGUA

Le recomendamos que limpie la sonda del nivel de agua una vez al mes. Esta operación de limpieza debe llevarse a cabo ÚNICAMENTE por personal autorizado. Siga las instrucciones para la limpieza como se indica a continuación:





## ESPECIFICACIONES

Versión con suministro de alimentación de 220 V/110 V:

Potencia Total Instalada de 1200 W:

(Potencia de la Plancha: W 800)

Potencia de la Caldera:

Potencia de la Bomba: W 48 - HZ 50 2/1 mm c f

Capacidad de la Caldera: 5 L/1.3 Gal

Resistencia de Planchado: CONTINUA

Presión del Vapor durante el Funcionamiento: 3,5/4 BAR

Presión Máxima: 5,5 BAR

## INFORMACIÓN IMPORTANTE SOBRE LA FORMA CORRECTA PARA DESECHAR EL PRODUCTO

Al final de su vida útil, el producto no debe desecharse como desperdicios urbanos. Deberá llevarse a un centro especial de recolección de residuos diferenciales perteneciente a la autoridad local o a un distribuidor que proporcione este servicio.





RELIABLE CORPORATION - GARANTÍA DEL PRODUCTO DE POR VIDA - PÓLIZA PARA CALDERAS PRESURIZADAS A VAPOR



**Reliable Corporation ("Reliable") garantiza al comprador original de la caldera descrita arriba vendida por Reliable (la "Caldera Reliable") que se encuentra libre de defectos de material y mano de obra si es utilizada correctamente solo por el comprador original. Si la Caldera Reliable necesitara algún cambio, Reliable no le cobrará al comprador original el costo de las piezas y la mano de obra, excepto el envío.**

Conforme a las condiciones y limitaciones establecidas a continuación, Reliable reparará o cambiará la pieza de la Caldera Reliable que demuestre estar defectuosa a causa de material o fabricación inadecuadas. Si la Caldera Reliable defectuosa deja de estar disponible y no puede ser reparada con eficacia o reemplazada por un modelo idéntico, Reliable cambiará la Caldera Reliable defectuosa por otra Caldera Reliable vigente de igual o mayor valor. Las piezas de recambio o repuestos serán suministrados por Reliable a cambio de las piezas originales, y serán piezas nuevas o piezas que estarán reacondicionadas para convertirse en productos funcionalmente equivalentes a piezas nuevas. Si Reliable no puede reparar o reemplazar una Caldera Reliable, la compañía reembolsará el valor de la Caldera Reliable que esté vigente al momento de reclamar la garantía.

Esta garantía limitada no cubre los daños que sufra una Caldera Reliable como resultado de una instalación inadecuada, accidente, abuso, uso incorrecto o irrazonable, desastre natural, suministro de energía eléctrica insuficiente o excesivo, condiciones mecánicas o ambientales anormales, o cualquier desarme, reparación o modificación no autorizada. Esta garantía limitada no se extiende a ningún daño indirecto, resultante o accidental que el usuario pueda sufrir por el uso de una Caldera Reliable, incluyendo, entre otros, la responsabilidad ante los reclamos presentados por terceros; y se limita al monto pagado por el comprador original de la Caldera Reliable respecto del cual tiene aplicación esta protección de garantía limitada. Esta garantía limitada no es válida para los productos que hayan sido modificados o que no tengan número de serie, o para los productos que no hayan sido comprados directamente a Reliable o a través de un vendedor autorizado por Reliable para comerciar la Caldera Reliable.

Esta garantía limitada es la única garantía que se aplica a la Caldera Reliable, reemplaza todos los términos que puedan estar contenidos en cualquier otro documento u orden de compra, y no puede ser alterada o modificada, excepto que Reliable así lo haya autorizado expresamente por escrito.

Para obtener la reparación o cambio según los términos de esta garantía, comuníquese con nuestro grupo de servicio al cliente al 1 800 268 1649 o escriba a [support@reliablecorporation.com](mailto:support@reliablecorporation.com). Usted deberá presentar, por fax o correo electrónico, el comprobante original. Este comprobante debe demostrar que usted es el comprador original, que el producto fue adquirido directamente de nuestras oficinas o de un vendedor de Reliable autorizado y que el reclamo de la garantía se realiza dentro del período establecido en este documento o en un documento posterior emitido por Reliable en relación con esta póliza. Usted recibirá un número de autorización (RA#) y deberá enviar el producto defectuoso, junto con el comprobante de compra, el RA# y los seguros pagados por adelantado, a la siguiente dirección: Reliable Corporation, 5-100 Wingold Ave, Toronto, ON M6B 4K7.

Los costos de envío por cobrar serán rechazados. El riesgo de sufrir una pérdida o daño en tránsito será asumido por el cliente. Una vez que Reliable reciba el producto defectuoso, la compañía iniciará el proceso de reparación o cambio.

Reliable Corporation ("Reliable") garantiza al comprador original de sus productos que todas las unidades vendidas por Reliable (un "Producto Reliable") se encuentran libres de defectos de material y de mano de obra durante el período de un año a partir de la fecha de compra, si son utilizadas correctamente y han recibido el mantenimiento adecuado. En virtud de las condiciones y limitaciones establecidas a continuación, Reliable reparará o reemplazará la pieza de un Producto Reliable que demuestre estar defectuosa a causa de material o fabricación inadecuadas. Si el Producto Reliable defectuoso deja de estar disponible y no puede ser reparado efectivamente o reemplazado por un modelo idéntico, Reliable cambiará el Producto Reliable defectuoso por un Producto Reliable vigente de igual o mayor valor. Las piezas de recambio o repuestos serán suministrados por Reliable a cambio de las piezas originales, y serán piezas nuevas o piezas que estarán reacondicionadas para convertirse en productos funcionalmente equivalentes a piezas nuevas. Si Reliable no puede reparar o reemplazar un Producto Reliable, la compañía reembolsará el valor del Producto Reliable que esté vigente al momento de reclamar la garantía.

Esta garantía limitada no cubre los daños que sufra un Producto Reliable como resultado de una instalación inadecuada, accidente, abuso, uso incorrecto, desastre natural, suministro de energía eléctrica insuficiente o excesivo, condiciones mecánicas o ambientales anormales, desgaste provocado por el uso normal del producto, o cualquier desarme, reparación o modificación no autorizada. Esta garantía limitada no se extiende a ningún daño indirecto, resultante o accidental que el usuario pueda sufrir o que pueda causar el uso de un Producto Reliable, incluyendo, entre otros, la responsabilidad ante los reclamos presentados por terceros; y se limita al monto pagado por el comprador original del Producto Reliable respecto del cual tiene aplicación esta protección de garantía limitada. Esta garantía limitada no es válida para los productos que hayan sido modificados o que no tengan número de serie, o para los productos que no hayan sido comprados directamente a Reliable o a través de un vendedor certificado que cuente con nuestra autorización para comerciar los Productos Reliable.

Esta garantía limitada es la única garantía que tiene aplicación a todos los Productos Reliable, reemplaza todos los términos que puedan estar contenidos en cualquier otro documento u orden de compra, y no puede ser alterada o modificada excepto que Reliable así lo haya autorizado expresamente por escrito.

Para obtener una reparación o un reemplazo bajo los términos de esta garantía, póngase en contacto con nuestro grupo de servicio al cliente llamando al 1-800-268-1649 o escriba a [support@reliablecorporation.com](mailto:support@reliablecorporation.com). Se le pedirá que mande un recibo original por fax o por correo electrónico. Este comprobante debe demostrar que usted es el comprador original, que el producto fue adquirido directamente de nuestras oficinas o de un vendedor de Reliable autorizado y que el reclamo de la garantía se realiza dentro del período correspondiente. Usted recibirá un número de autorización (RA#) y deberá enviar el producto defectuoso, junto con el comprobante de compra, el RA# y los seguros pagados por adelantado, a la siguiente dirección:

Reliable Corporation, 5-100 Wingold Avenue, Toronto, ON M6B 4K7. Los costos de envío por cobrar serán rechazados. El riesgo de sufrir una pérdida o daño en tránsito será asumido por el cliente. Una vez que Reliable reciba el producto defectuoso, la compañía iniciará el proceso de reparación o reemplazo.

Si tiene preguntas sobre esta garantía, puede escribir a la siguiente dirección:

Reliable Corporation  
100 Wingold Avenue, Unit 5  
Toronto, Ontario  
Canada M6B 4K7  
[www.reliablecorporation.com](http://www.reliablecorporation.com)







1 800 268 1649  
[www.reliablecorporation.com](http://www.reliablecorporation.com)