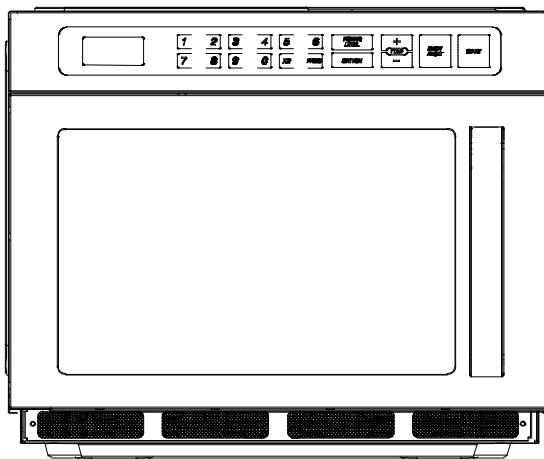




DUAL MAGNETRON COMMERCIAL MICROWAVE OVEN

Model: SCM1800M2



User's manual

Please read these instructions carefully before installing and operating the oven.

In the space below, record the SERIAL NO. found on the nameplate of your oven and retain this information for future reference.

SERIAL NO. _____

Please save sales receipt for warranty.

FELIX STORCH, INC.
Summit Appliance Division
770 Garrison Avenue
Bronx, New York 10474
www.summitappliance.com

PRECAUTIONS TO AVOID POSSIBLE EXPOSURE TO EXCESSIVE MICROWAVE ENERGY

Do not attempt to operate this oven with the door open since open-door operation can result in harmful exposure to microwave energy. It is important not to defeat or tamper with the safety interlocks.

Do not place any object between the oven front face and the door or allow soil or cleaner residue to accumulate on sealing surfaces.

Do not operate the oven if it is damaged. It is particularly important that the oven door close properly and that there is no damage to the:

- a. Door (bent),
- b. Hinges and latches (broken or loosened),
- c. Door seals and sealing surfaces.

The oven should not be adjusted or repaired by anyone except properly qualified service personnel.

TABLE OF CONTENTS

PRECAUTIONS / MICROWAVE ENERGY	1
IMPORTANT SAFETY INSTRUCTIONS	2
INSTALLATION GUIDE	4
GROUNDING INSTRUCTIONS	6
UTENSILS GUIDE	7
COOKING TECHNIQUES	8
SPECIFICATIONS	9
LOCATION OF PARTS	10
CONTROL PANEL	13
OPERATION INSTRUCTIONS	14
MICROWAVE COOKING	14
SAVE A MULTI-STAGE COOKING SETTING TO A NUMBER KEY	114
HOW TO USE THE X2 PAD	15
MULTI-STAGE COOKING	16
COUNT OF OPERATIONS	16
SWITCH	17
ADJUST THE COOKING TIME	17
CHILD-PROOF LOCK	17
RETURN TO FACTORY SETTING	17
CARE AND CLEANING	18
LIMITED WARRANTY	19

IMPORTANT SAFETY INSTRUCTIONS

When using electrical appliances, basic safety precautions should be followed.

WARNING - To reduce the risk of burns, electric shock, fire, and injury to persons or exposure to excessive microwave energy:

1. Read all instructions before using the appliance.
2. Read and follow the specific "PRECAUTIONS TO AVOID POSSIBLE EXPOSURE TO EXCESSIVE MICROWAVE ENERGY" on page 1.
3. This appliance must be grounded. Connect only to properly grounded outlet. See "GROUNDING INSTRUCTIONS" on page 6.
4. Install or locate this appliance only in accordance with the provided installation instructions.
5. Some products such as whole eggs and sealed containers –for example, closed glass jars– can explode and should not be heated in this oven.
6. Use this appliance only for its intended use as described in this manual. Do not use corrosive chemicals or vapors in this appliance. This type of oven is specifically designed to heat, cook, or dry food. It is not designed for industrial or laboratory use.
7. As with any appliance, close supervision is necessary when used by children.
8. To reduce the risk of fire in the oven cavity:
 - a. Do not overcook food. Carefully attend appliance when paper, plastic, or other combustible materials are placed inside the oven to facilitate cooking.
 - b. Remove wire twist-ties from paper or plastic bags before placing bag in oven.
 - c. If materials inside the oven should ignite, keep oven door closed, turn oven off, and disconnect the power cord or shut off power at the fuse or circuit breaker panel.
 - d. Do not use the cavity for storage purposes. Do not leave paper products, cooking utensils or food in the cavity when not in use.
9. Liquids such as water, coffee, or tea can be overheated beyond the boiling point without appearing to be boiling due to surface tension of the liquid. Visible bubbling or boiling when the container is removed from the microwave oven is not always present. **THIS COULD RESULT IN VERY HOT LIQUIDS SUDDENLY BOILING OVER WHEN A SPOON OR OTHER UTENSIL IS INSERTED INTO THE LIQUID.** To reduce the risk of injury to persons:
 - a. Do not overheat the liquid.
 - b. Stir the liquid both before and halfway through heating it.
 - c. Do not use straight-sided containers with narrow necks.
 - d. After heating, allow the container to stand in the microwave oven for a short time before removing the container.
 - e. Use extreme care when inserting a spoon or other utensil into the container.
10. Do not heat oil or fat for deep-frying. It is difficult to control the temperature of oil in a microwave oven.
11. Pierce foods with heavy skins such as potatoes, whole squash, apples and chestnuts before cooking.
12. The contents of feeding bottles and baby jars should be stirred or shaken and the temperature should be checked before serving in order to avoid burns.
13. Cooking utensils may become hot because of heat transferred from the heated food. Potholders

may be needed to handle the utensil.

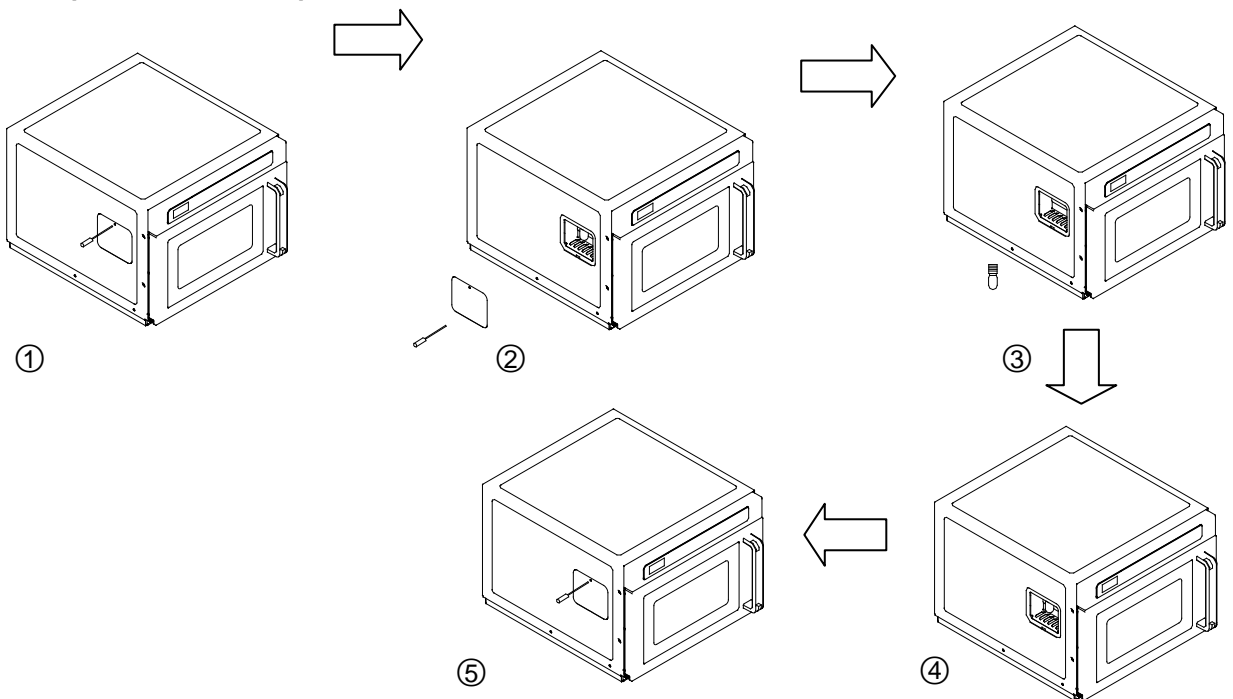
14. Do not cover or block any openings on the appliance.
15. Do not store or use this appliance outdoors. Do not use this product near water, for example, near a kitchen sink, in a wet basement, near a swimming pool, or similar locations.
16. Do not operate this appliance if it has a damaged cord or a plug, if it is not working properly or if it has been damaged or dropped.
17. Do not immerse cord or plug in water. Keep cord away from heated surfaces. Do not let cord hang over edge of table or counter.
18. Use only thermometers that are specifically designed for use in microwave ovens.
19. Do not operate any heating or cooking appliance beneath this microwave oven.
20. This appliance should be serviced only by qualified service personnel. Contact nearest authorized service facility for examination, repair, or adjustment.
21. When cleaning surfaces of door and oven that come together on closing the door, use only mild, nonabrasive soaps or detergents applied with a sponge or soft cloth.
22. This equipment generates, uses and can radiate radio frequency energy and, if not installed and used in accordance with the instructions, may cause harmful interference to radio communications. There is no guarantee that interference will not occur in a particular installation. If this equipment does cause harmful interference to radio or television reception, which can be determined by turning the equipment off and on, the user is encouraged to try to correct the interference by one or more of the following measures:
 - Reorient or relocate the receiving antenna.
 - Increase the separation between the equipment and receiver.
 - Connect the equipment into an outlet on a circuit different from that to which the receiver is connected.
 - Consult the dealer or an experienced radio/TV technician for help.

SAVE THESE INSTRUCTIONS

INSTALLATION GUIDE

1. Make sure that all packing materials are removed, both inside and out of the oven.
2. Check the oven for any damage, such as misaligned or bent door, damaged door seals and sealing surface, broken or loose door hinges and latches, and dents inside the cavity or on the door. If there is any damage, do not operate the oven but contact qualified service personnel.
3. This microwave oven must be placed on a flat, stable surface to hold its weight and the heaviest food likely to be cooked in the oven.
4. Do not place the oven where heat, moisture or high humidity are generated, or near combustible materials.
5. For correct operation, the oven must have sufficient airflow. Allow 20cm of space above the oven, 10cm at back and 5cm at both sides. Do not cover or block any openings on the appliance. Do not remove feet on which oven stands.
6. Make sure that the power supply cord is undamaged and does not run under the oven or over any hot or sharp surface.
7. The socket must be readily accessible so that it can be easily unplugged in an emergency.

To replace the oven lamp:



INSTALLATION GUIDE

Follow these steps to replace the oven lamp:

(lamp type: E14A/T170 Power Supply: 230v~ 240v / 25w)

1. Unplug the oven and carefully loosen the screw of the lamp cover with a Phillips-head screwdriver.
2. Remove the lamp cover.
3. Gently turn the bulb in a counter-clockwise direction to take it out.
4. Insert the new bulb and turn it in a clockwise direction until it is firmly seated.
5. Re-install the lamp cover, screwing it into place.

If you have a problem, please contact our Service Department at 1-800-932-4267 for help in replacing the lamp.

GROUNDING INSTRUCTIONS

This appliance must be grounded. In the event of an electrical short circuit, grounding reduces the risk of electric shock by providing an escape wire for the electric current.

WARNING: Improper use of the grounding plug can result in a risk of electric shock.

Consult a qualified electrician or serviceman if the grounding instructions are not completely understood, or if doubt exists as to whether the appliance is properly grounded, and either:

1) If it is necessary to use an extension cord, use only a 3-wire extension cord that has a 3-blade grounding plug and a 3-slot receptacle that will accept the plug on the appliance. The marked rating of the extension cord must be equal to or greater than the electrical rating of the appliance, or
2) Do not use an extension cord. If the power supply cord is too short, have a qualified electrician or serviceman install an outlet near the appliance.

Electrical Requirements

The electrical requirements are 240 volt 60 Hz, AC only, 20 amp. It is recommended that a separate circuit serving only the oven be provided. The oven is equipped with a 3-prong grounding plug. It must be plugged into a wall receptacle that is properly installed and grounded.

Power Supply Cord

1. A short power supply cord is provided to reduce the risks resulting from becoming

entangled in or tripping over a longer cord.

2. Longer cord sets or extension cords are available and may be used if care is exercised in their use.
3. If a long cord or extension cord is used:
 - a) The marked electrical rating of the cord set or extension cord should be at least as great as the electrical rating of the appliance.
 - b) The extension cord must be a grounding-type 3-wire cord, and the longer cord should be arranged so that it will not drape over the counter top or table top where it can be pulled on by children or tripped over.

Notes:

If you have any questions about the grounding or electrical instructions, consult a qualified electrician or service person.

Neither the manufacturer nor the dealer can accept any liability for damage to the oven or personal injury resulting from failure to observe the electrical connection procedures.

Radio or TV Interference

Should there be any interference caused by the microwave oven to your radio or TV, check that the microwave oven is on a different circuit. Try relocating the radio or TV as far away from the oven as feasible or check position and signal of receiving antenna.

UTENSILS GUIDE

This section lists which utensils can be used in the microwave, which ones have limited use for short periods, and which ones should not be used in the microwave.



RECOMMENDED

Microwave browning dish — Use to brown the exterior of small items such as steaks, chops, or pancakes. Follow the directions provided with your browning dish.

Microwaveable plastic wrap — Use to retain steam. Leave a small opening for some steam to escape and avoid placing it directly on the food.

Paper towels and napkins — Use for short-term heating and covering; these absorb excess moisture and prevent spattering. Do not use recycled paper towels, which may contain metal and could ignite.

Glass and glass-ceramic bowls and dishes — Use for heating or cooking.

Paper plates and cups — Use for short-term heating at low temperatures. Do not use recycled paper, which may contain metal and could ignite.

Wax paper — Use as a cover to prevent spattering.

Thermometers — Use only those labeled "Microwave Safe" and follow all directions. Check the food in several places. Conventional thermometers may be used on microwave food once the food has been removed from the oven.

LIMITED USE

Aluminum foil — Use narrow strips of foil to prevent overcooking of exposed areas. Using too much foil can damage your oven, so be careful. You should keep a distance of 1 inch (2.54cm) between aluminum foil and cavity.

Ceramic, porcelain, and stoneware — Use these if they are labeled "Microwave Safe". If they are not labeled, test them to make sure they can be used safely.

Plastic — Use only if labeled "Microwave Safe". Other plastics can melt.

Not Recommended

Glass jars and bottles — Regular glass is too thin to be used in a microwave. It can shatter and cause damage and injury.

Paper bags — These are a fire hazard, except for popcorn bags that are designed for microwave use.

Styrofoam plates and cups — These can melt and leave an unhealthy residue on food.

Plastic storage and food containers — Containers such as margarine tubs can melt in the microwave.

Metal utensils — These can damage your oven. Remove all metal before cooking.

NOTE:

Should you wish to check if a dish is safe for microwaving, place the empty dish in the oven and microwave on HIGH for 30 seconds. A dish which becomes very hot should not be used.

COOKING TECHNIQUES

Your microwave makes cooking easier than conventional cooking, provided you keep these considerations in mind:

STIRRING

Stir foods such as casseroles and vegetables while cooking to distribute heat evenly. Food at the outside of the dish absorbs more energy and heats more quickly, so stir from the outside to the center. The oven will turn off when you open the door to stir your food.

ARRANGEMENT

Arrange unevenly shaped foods, such as chicken pieces or chops, with the thicker, meatier parts toward the outside of the platter where they receive more microwave energy. To prevent overcooking, place delicate areas, such as asparagus tips, toward the center of the platter.

SHIELDING

Shield food with narrow strips of aluminum foil to prevent overcooking. Areas that need shielding include poultry wing tips, the ends of poultry legs, and corners of square baking dishes. Use only small amounts of aluminum foil. Larger amounts can damage your oven.

TURNING

Turn foods over midway through cooking to expose all parts to microwave energy. This is especially important with large foods such as roasts.

STANDING

Foods cooked in the microwave build up internal heat and continue to cook for a few minutes after heating stops. Let foods stand to complete cooking, especially foods such as cakes and whole vegetables. Roasts need this time to complete cooking in the center without overcooking the outer areas. All liquids, such as soup or hot chocolate, should be shaken or

stirred when cooking is complete. Let liquids stand a moment before serving. When heating baby food, stir well at removal and test the temperature before serving.

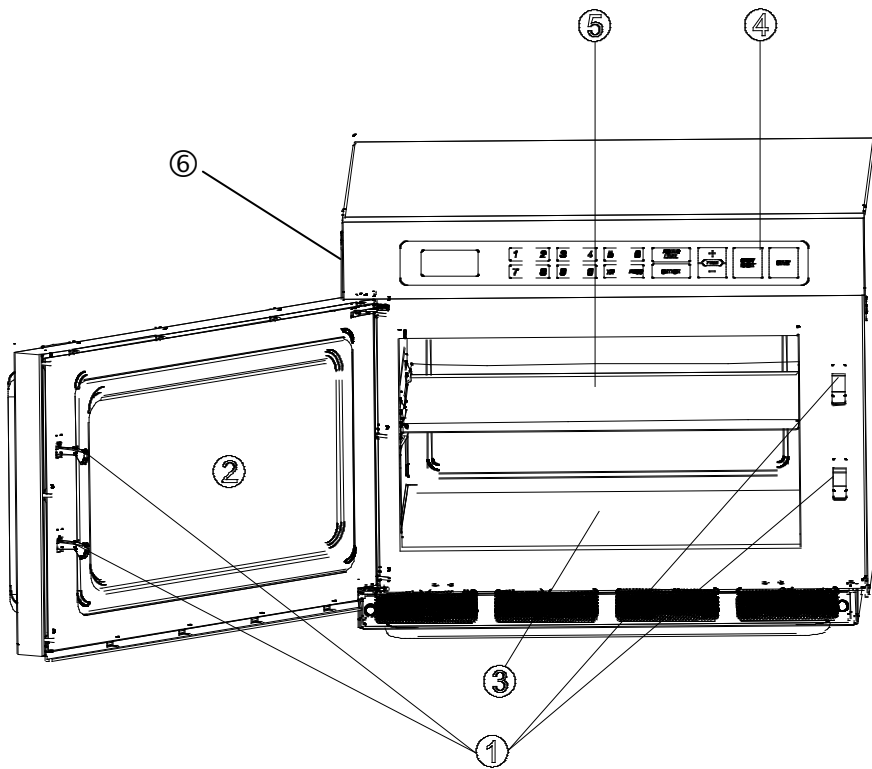
ADDING MOISTURE

Microwave energy is attracted to water molecules. Food that is uneven in moisture content should be covered or allowed to stand so that the heat disperses evenly. Add a small amount of water to dry food to help it cook.

SPECIFICATIONS

Power Supply	240V~60Hz
Power Consumption (Microwave)	2800W (2 MAGNETRONS) 1400W (1 MAGNETRON)
Rated Microwave Power Output	1800W (2 MAGNETRONS) 900W (1 MAGNETRON)
Operation Frequency	2450MHz
Outside Dimensions: (H)×(W)×(D)	15 15/16 × 19 5/16 × 25 1/8 in.
Oven Cavity Dimensions: (H)×(W)×(D)	8 13/16 × 14 3/4 × 14 7/8 in.
Oven Capacity	1.1 cu.ft.
Net Weight	Approx. 76 lb

LOCATION OF PARTS



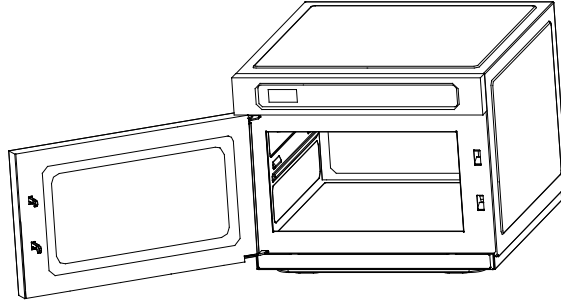
- 1. Door Safety Lock System
- 2. Oven Window
- 3. Cavity Floor
- 4. Control Panel
- 5. Ceramic Board
- 6. Lamp cover

Installing and removing the ceramic board:

The ceramic board is removable. You can install or remove it following the steps below :

To install the ceramic board:

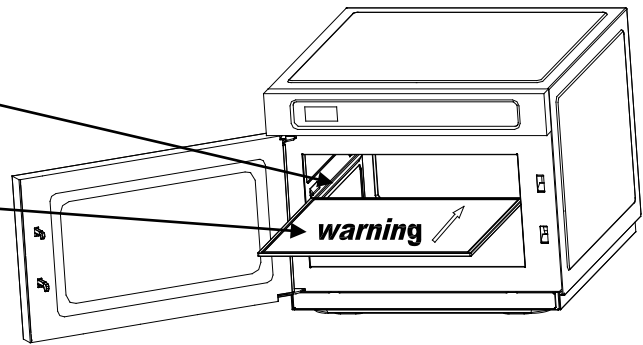
1. Turn off the power. Install the ceramic board when the cavity has cooled.



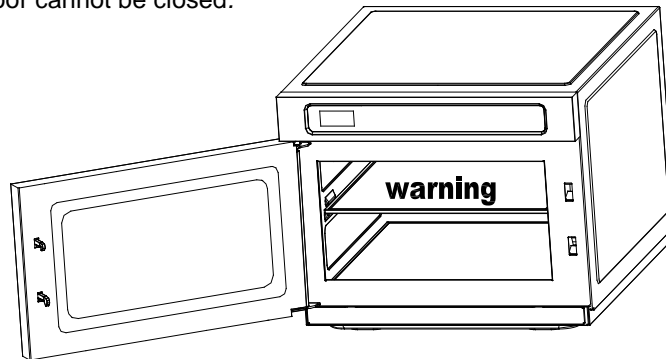
2. Hold the ceramic board with both hands and gently push it along the grooves. Be careful because the board is breakable. Make sure the board is installed within the grooves, not above them. The word **WARNING** should be visible at the front of the board.

Place the board in the groove on each side.

*The word **WARNING** is visible at the front of the board.*

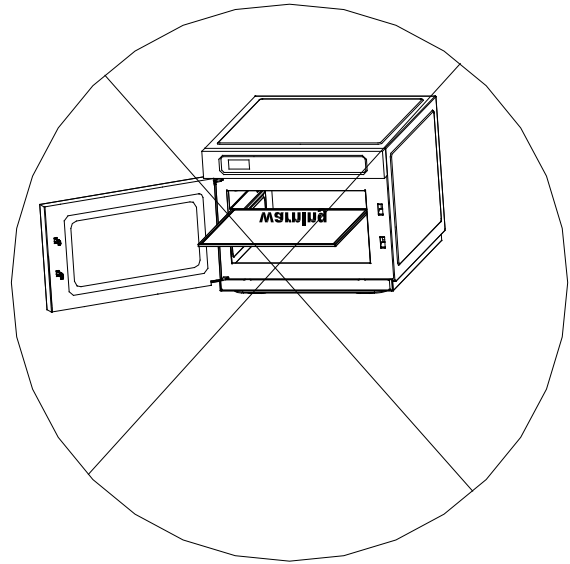


3. Be sure the ceramic board has been pushed all the way to the back of the cavity. If you do not install it correctly, the door cannot be closed.



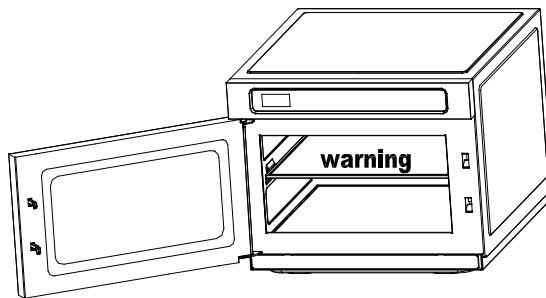
Never install the board above the groove.

Never place the board with WARNING at the back.

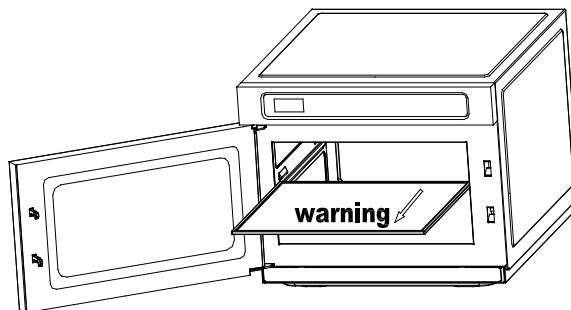


To remove the ceramic board from the cavity:

1. Unplug the unit. Remove the ceramic board when the cavity and board have cooled down.

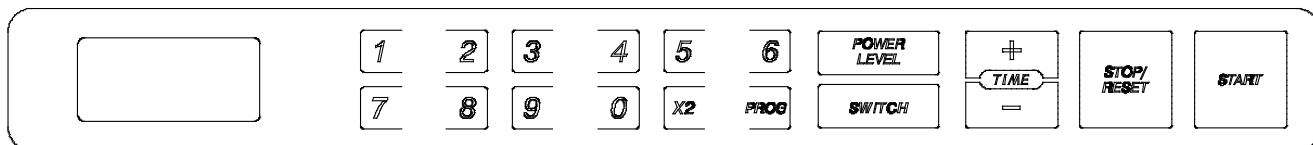


2. Gently pull the ceramic board out of the cavity along the grooves. To prevent damage, do not force or shake the board as you pull it.



3. Handle the ceramic board gently; it is breakable.

CONTROL PANEL



Display Screen

Cooking time, power, indicators and present time are displayed.

Number Pad

Press these button to set the cooking time, to set a cooking program, etc.

X2

Press to store a cooking program.

PROG

Press to store a multi-stage cooking program. It is also used to set child lock.

POWER LEVEL

Press to select a microwave cooking power.

SWITCH

Press to switch the oven cooking mode from single magnetron to double magnetron, and vice versa.

TIME +/-

Press to adjust the cooking time.

STOP/RESET

Press this button to stop or cancel a cooking program.

START

Press to start cooking program.

OPERATION INSTRUCTIONS

MICROWAVE COOKING

Microwave cooking allows you to customize cooking power and time. First, select a power level by pressing the *POWER LEVEL* button a number of times (see the table below). Maximum cooking time is 99 minutes and 99 seconds.

Suppose you want to cook for 5 minute at 80% power level.

1. Open the door, place food in the oven and close the door.
2. Press the *POWER LEVEL* button a number of times till the screen shows the desired power.

Press <i>POWER LEVEL</i> button	Power Level
Once	100% (HI)
Twice	80% (MED)
Three times	30% (DEF)

3. Use the number pad to enter cooking time until the correct cooking time (5:00) is displayed.
4. Press the *START* button to start.

Note:

When the cooking time ends, the system beeps once and "0" is displayed. Before starting another cooking session, press *STOP/RESET* to clear the display and reset the system.

SAVE A MULTI-STAGE COOKING PROGRAM TO A NUMBER KEY

You can save a frequently used cooking program to a number key and conveniently activate it by touching the number key and then *START*.

Each of the number keys is pre-set with a cooking program. In waiting mode, touch any of the ten number keys to select a cooking program, then press the *START* key to begin the preset program.

The following are the default settings for each of the number keys:

Number/Memory Keys	1	2	3	4	5	6	7	8	9	0
Preset Cooking Time	:10	:20	:30	:45	1:00	1:30	2:00	2:30	3:00	3:30

The user is free to reset the cooking program stored under each of the ten number keys at any time. In order to set a cooking program, which may contain up to 3 consecutive cooking stages with different power levels, and to designate a number key to this program, see the example below:

To set medium power cooking for 8 minutes and save it to number key 5:

1. Open the door, place food in the oven and close the door.
2. Touch *PROG* once.
3. Press number key 5.
4. Press *POWER LEVEL* twice to select MED.
5. Touch number pads 8, 0, 0.
6. Press *PROG* to save.

Note : When the program has been saved, you can press *START* to start cooking or you can also press *STOP/RESET* to cancel.

You can set a two or three stage cooking program by repeating steps 4 and 5 once or twice.

Suppose you want to set a multi-stage cooking program to number pad 3.

First stage : 5 minutes of DEF microwave power cooking ;

Second stage : 3 minutes of HI microwave power cooking ;

Third stage : 1 minute of MED microwave power cooking.

Steps :

1. Open the door, place food in the oven and close the door.
2. Touch *PROG* once.
3. Press number key 3.
4. Press *POWER LEVEL* three times and press number pad to enter the cooking time.
5. Press *POWER LEVEL* once and press number pad to enter the cooking time.
6. Press *POWER LEVEL* twice and press number pad to enter the cooking time.
7. Press *PROG* to save.

Note:

If you want the oven to start immediately after touching any of the number keys instead of after you touch the *START* key, press and hold down *STOP/RESET* for 5 sec until “*P L*” appears on the display; now you don't have to press the *START* key after selecting a cooking program by touching any of the number keys.

If you want to cancel the auto-number start setting, you can press and hold down *STOP/RESET* for 5 sec until “*P PROG*” appears on the display.

HOW TO USE THE X2 PAD

More cooking programs can be stored under the number keys by using the *X2* function.

In waiting mode, by pressing *X2*, any of the number keys, and the *START* key, you can recall a preset cooking program as follows:

Number/Memory Keys	1	2	3	4	5	6	7	8	9	0
Preset Cooking Time	:20	:40	1:00	1:30	2:00	3:00	4:00	5:00	6:00	7:00

The *X2* function can only program one stage cooking. After setting is finished, press *STOP/RESET* to return to waiting mode. The oven will start after you touch *X2*, any of the number keys and then the *START* key.

For example, to use the *X2* function, and save a program of full power and 3 minutes cooking to number pad 8.

1. Open the door and place food in the oven, close it.
2. Touch *PROG* once.
3. Touch *X2* pad once.
4. Press number pad 8.

5. Press Power Level once.
6. Touch number pads 3, 0, 0.
7. Press *PROG* to save.

NOTE : When the program has been saved, you can press *START* to start cooking or you can also press the *STOP/RESET* key to cancel.

If you want the oven to start immediately after you touch any of the number keys instead of after you touch the *START* key, press and hold down *STOP/RESET* for 5 sec until “*PL*” appears on the display; now you don’t have to press *START* key after selecting a cooking program by touching any of the number keys.

If you want to cancel the auto-number start setting, you can press and hold down *STOP/RESET* for 5 sec until “*P PROG*” appears on the display.

MULTI-STAGE COOKING

The oven has the ability to program several consecutive functions.

Suppose you want to set the following cooking program:

The first (1S): MICROWAVE COOKING



The second (2S): MICROWAVE COOKING



The third (3S): MICROWAVE COOKING

Steps:

1. Place food into the oven and close the door.
2. Touch the *STOP/RESET* key.

The first (1S):

3. Press the *POWER LEVEL* button a number of times until the screen shows the desired power.
4. Use the number pad to enter cooking time.

The second (2S):

5. Press the *POWER LEVEL* button a number of times till the screen show the desired power.
6. Use the number pad to enter cooking time.

The third (3S):

7. Press *POWER LEVEL* button a number of times till the screen show the desired power.
8. Use the number pad to enter cooking time.
9. Touch the *START* key.

COUNT OF OPERATIONS

You can read the count of how many times the oven has been used. To do this,

1. In waiting mode, press and hold down *STOP/RESET*.
2. Touch the *POWER LEVEL* button. The number on the display shows how many times the

oven has been used.

This function is for the user to analyze the usage of the oven and the traffic flow at a particular location where the oven is being used commercially.

SWITCH

The oven can use a single magnetron or double magnetrons to cook. In single magnetron mode, you can save power, while with double magnetrons, you can use less time to cook. The default setting for the oven is double magnetrons, but you can press *SWITCH* to change. Select it before setting a cooking program.

ADJUST THE COOKING TIME

During cooking, you can press +/- to adjust the cooking time. Each press adjusts the cooking time by 20 seconds. The maximum time you can set is 1H :39 seconds. For the preset programs, you cannot adjust the cooking time by pressing +/-.

CHILD PROOF LOCK

In waiting mode, press and hold *PROG* for 5 seconds. This locks the oven.

To release Child Lock, press and hold *PROG* for 5 seconds, and the oven goes back to normal.

RETURN TO FACTORY SETTING

If you want the oven to return to the factory default setting, press the *START* key and plug in the oven until "00: 00" shows on the screen, then press the following keys one by one: "1", "2", "3", "4", "5", "6", "7", "8", "9", "0", "*POWER LEVEL*", "*X2*", "*PROG*", "*SWITCH*", "+", "-", "*STOP/RESET*", "*START*". The screen will show "0018"; open and close the door, then open it again. A beep will be heard to signal that the oven is back to its factory setting.

CARE AND CLEANING

- a. Turn off the oven and remove the power plug from the wall socket before cleaning.
- b. Keep the inside of the oven clean. When food splatters or spilled liquids adhere to oven walls, wipe with a damp cloth. Mild detergent may be used if the oven gets very dirty. Avoid the use of spray and other harsh cleaners as they may stain, streak or dull the door surface.
- c. The outside surfaces should be cleaned with a damp cloth. To prevent damage to the operating parts inside the oven, water should not be allowed to seep into the ventilation openings.
- d. Wipe the window on both sides with a damp cloth to remove any spills or splatters.
- e. Do not allow the control panel to become wet. Clean with a soft, damp cloth. When cleaning the control panel, leave oven door open to prevent oven from accidentally turning on.
- f. If steam accumulates inside or around the outside of the oven door, wipe with a soft cloth. This may occur when the microwave oven is operated under high humidity conditions. In such case, it is normal.
- g. The oven floor and ceramic board should be cleaned. Simply wipe with mild detergent.
- h. Remove odors from your oven by combining a cup of water with the juice and skin of one lemon in a deep microwaveable bowl; microwave for 5 minutes. Wipe thoroughly and dry with a soft cloth.
- i. When it becomes necessary to replace the oven light, please consult our Service Department if you have difficulty.
- j. The oven should be cleaned regularly and any food deposits removed. Failure to maintain the oven in a clean condition could lead to deterioration of the surface that could adversely affect the life of the appliance and possibly result in a hazardous situation.
- k. Please do not discard this appliance in a trash bin or dumpster. It should be disposed of according to the particular disposal regulations of your municipality.

LIMITED WARRANTY

ONE-YEAR LIMITED WARRANTY

Within the 48 contiguous United States, for one year from the date of purchase, when this appliance is operated and maintained according to instructions attached to or furnished with the product, warrantor will pay for factory-specified parts and repair labor to correct defects in materials or workmanship. Service must be provided by a designated service company. Outside the 48 states, all parts are warranted for one year from manufacturing defects. Plastic parts, shelves and cabinets are warranted to be manufactured to commercially acceptable standards, and are not covered from damage during handling or breakage.

ITEMS WARRANTOR WILL NOT PAY FOR:

1. Service calls to correct the installation of your appliance, to instruct you how to use your appliance, to replace or repair fuses or to correct wiring or plumbing.
2. Service calls to repair or replace appliance light bulbs or broken shelves. Consumable parts (such as filters) are excluded from warranty coverage.
3. Damage resulting from accident, alteration, misuse, abuse, fire, flood, acts of God, improper installation, installation not in accordance with electrical or plumbing codes, or use of products not approved by warrantor.
4. Replacement parts or repair labor costs for units operated outside the United States.
5. Repairs to parts or systems resulting from unauthorized modifications made to the appliance.
6. Expenses for travel and transportation for product service in remote locations.
7. The removal and reinstallation of your appliance if it is installed in an inaccessible location or is not installed in accordance with published installation instructions.

DISCLAIMER OF IMPLIED WARRANTIES; LIMITATION OF REMEDIES

CUSTOMER'S SOLE AND EXCLUSIVE REMEDY UNDER THIS LIMITED WARRANTY SHALL BE PRODUCT REPAIR AS PROVIDED HEREIN. IMPLIED WARRANTIES, INCLUDING WARRANTIES OF MERCHANTABILITY OR FITNESS FOR A PARTICULAR PURPOSE, ARE LIMITED TO ONE YEAR. WARRANTOR SHALL NOT BE LIABLE FOR INCIDENTAL OR CONSEQUENTIAL DAMAGES. SOME STATES DO NOT ALLOW THE EXCLUSION OR LIMITATION OF INCIDENTAL OR CONSEQUENTIAL DAMAGES, OR LIMITATIONS ON THE DURATION OF IMPLIED WARRANTIES OF MERCHANTABILITY OR FITNESS, SO THESE EXCLUSIONS OR LIMITATIONS MAY NOT APPLY TO YOU. THIS WARRANTY GIVES YOU SPECIFIC LEGAL RIGHTS AND YOU MAY ALSO HAVE OTHER RIGHTS, WHICH VARY FROM STATE TO STATE.

FELIX STORCH, INC.
770 Garrison Avenue
Bronx, NY 10474
Phone: (718) 893-3900
Fax: (718) 842-3093
www.summitappliance.com



For parts and accessory ordering,
troubleshooting and helpful hints, visit:
www.summitappliance.com/support

Printed in China