

BI1215 • 15" Crescent Ice Maker • 1000 Series

FEATURES & BENEFITS



STAINLESS SOLID



INTEGRATED SOLID



BLACK SOLID



WHITE SOLID

| | |
|--------------------------|---|
| PERFORMANCE | <ul style="list-style-type: none"> • Uses less than 3 gallons of water to produce up to 25 lbs of ice per day • Up to 25 lbs in ice storage capacity • Daily ice production rate is approx. 4 times greater than the average household refrigerator • Crescent ice cube dimensions: 1/2" W x 3/4" H x 2 1/4" L • On/Off switch is conveniently located on lower face of unit |
| INTERIOR/EXTERIOR | <ul style="list-style-type: none"> • No drain required • Standard commercial stainless steel handle is interchangeable with professional handle accessory • Door swing is field reversible |
| INTEGRATION | <ul style="list-style-type: none"> • Unit is designed to be built-in or can be freestanding • Integrated model requires 3/4" custom door panel (panels not supplied by U-Line) • Four independently adjustable leveling legs provide a precise undercounter fit • Available in the following finishes: Stainless, Integrated, Black, or White |

MODEL DETAILS

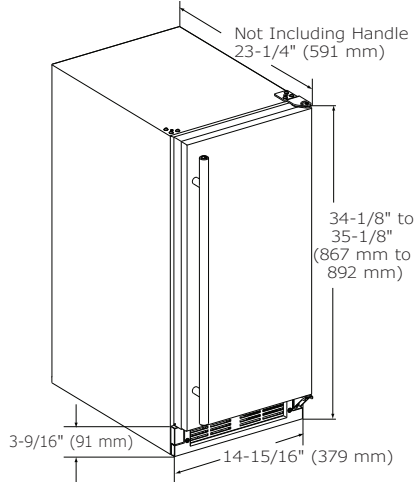
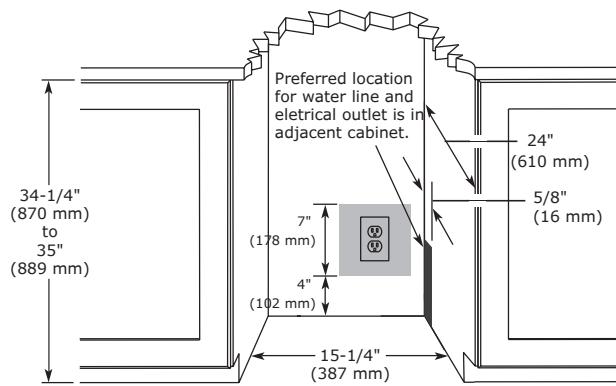
| Model | Voltage/Hz | Door Swing | Finish | Shipping Weight |
|-----------------|------------|------------------|------------------|-----------------|
| U-BI1215S-00B | 115 / 60 | Field Reversible | Stainless Solid | 89 lb |
| U-BI1215INT-00B | 115 / 60 | Field Reversible | Integrated Solid | 89 lb |
| U-BI1215B-00B | 115 / 60 | Field Reversible | Black Solid | 89 lb |
| U-BI1215W-00B | 115 / 60 | Field Reversible | White Solid | 89 lb |

ACCESSORIES

| Model | Description | Finish | Shipping Weight |
|-------------|---|-----------|-----------------|
| 80-54247-00 | Professional Door Handle, 1 1/4" Diameter | Stainless | 2 lb |
| 80-54214-00 | Commercial Door Handle, 7/8" Diameter | Stainless | 2 lb |
| 80-54674-00 | Braided water supply line kit | N/A | 2 lb |

1000 Series • 15" Crescent Ice Maker • BI1215
DIMENSIONS

Dimensions shown apply to all finishes, including Integrated (INT) models with 3/4" integrated panel/frame installed.


CABINET CUT-OUT

INSTALLATION NOTES

When installing adjacent to wall, ensure 2 1/2" clearance on hinged side for 90° door opening, allowing ample room for door handle.

No additional clearance around sides, top or rear of unit is needed for ventilation.

Do not obstruct front grille air flow.

SPECIFICATIONS

| | |
|-----------------------------------|--------------------|
| Model | BI1215 |
| Amps: Running | 2.5 |
| Control Type | On/Off Switch |
| Defrost Type | Manual |
| Dimensions: Product Depth | 23 1/4" / 591 mm |
| Dimensions: Product Height | 34 1/8" / 867 mm |
| Dimensions: Product Width | 14 15/16" / 379 mm |
| Energy Consumption: Avg. Per Year | N/A |
| ENERGY STAR | N/A |
| Ice Production Per Day | 25 lb |
| Ice Storage | 25 lb |
| Panel Height | 30 1/4" / 768 mm |
| Panel Thickness | 3/4" / 20 mm |
| Panel Type | Solid Panel |
| Panel Width | 14 3/4" / 375 mm |
| Product Weight: Max | 83 lb |
| Refrigerant Type | R134a |
| Sabbath (Star K Certified) | No |

ELECTRICAL REQUIREMENTS

This unit requires a grounded, polarized 115 VAC, 60 Hz, 15 A power supply (normal household current).



Please visit U-Line.com to view this model's User Guide. All specifications are subject to change without notice.