

CLR1215SOD • 15" Outdoor Clear Ice Machine • Outdoor Series

FEATURES & BENEFITS



STAINLESS
SOLID

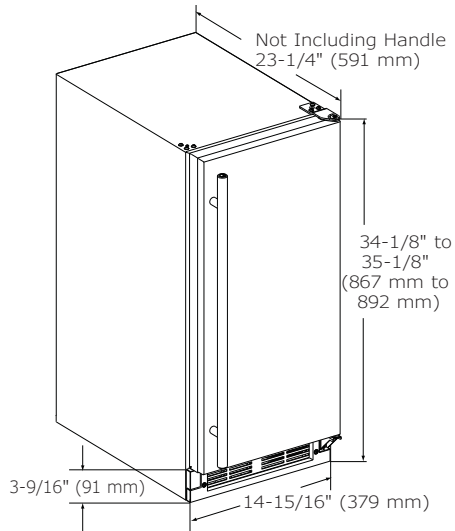
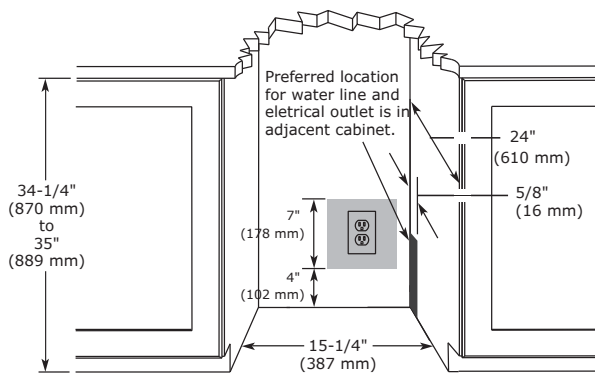
PERFORMANCE	<ul style="list-style-type: none"> • Daily ice production of up to 60 lbs of ice • Up to 30 lbs in ice storage capacity • Clear ice cube dimensions: 7/8" W x 7/8" H x 7/8" L • Clear ice cube fullness can be adjusted • Silent setting temporarily suspends ice making for 3 hours • Digital Touch Pad Control is conveniently located on face of unit • Indicator alert notifies user when cleaning is needed • Easy clean process only lasts 45 minutes
INTERIOR/EXTERIOR	<ul style="list-style-type: none"> • White interior is illuminated with LED lighting • Clear heavy duty ice scoop included • Drain required • Factory installed drain line simplifies installation • Model can be ordered with factory installed drain pump if gravity drain is not accessible • Standard professional stainless steel handle is interchangeable with commercial handle accessory • Full stainless steel cabinet and door are deemed suitable for outdoor use by UL • Door swing is field reversible, and is shipped right-hand hinged
INTEGRATION	<ul style="list-style-type: none"> • Unit is designed to be built-in or can be freestanding • Four independently adjustable leveling legs provide a precise undercounter fit

MODEL DETAILS

Model	Voltage/Hz	Door Swing	Pump	Finish	Shipping Weight
U-CLR1215SOD-00B	115 / 60	Field Reversible	-	Stainless Solid	92 lb
U-CLR1215SOD-40B	115 / 60	Field Reversible	Pump Included	Stainless Solid	101 lb

ACCESSORIES

Model	Description	Finish	Shipping Weight
80-54214-00	Commercial Door Handle, 7/8" Diameter	Stainless	2 lb
80-54081-00	Clear Ice Machine Cleaner (1 box of 6 packets)	N/A	1 lb
80-54147-00	Drain Pump	N/A	7 lb

Outdoor Series • 15" Outdoor Clear Ice Machine • CLR1215SOD
DIMENSIONS

CABINET CUT-OUT

INSTALLATION NOTES

When installing adjacent to wall, ensure 2-1/2" clearance on hinged side for 90° door opening, allowing ample room for door handle.

No additional clearance around sides, top or rear of unit is needed for ventilation.

Do not obstruct front grille air flow.

SPECIFICATIONS

Model	CLR1215SOD
Amps: Running	4
Amps: Ice Harvest	5.5
Control Type	Digital Touch Pad
Defrost Type	N/A
Dimensions: Depth	24" / 610 mm
Dimensions: Height	34 1/8" / 867 mm
Dimensions: Width	14 15/16" / 379 mm
ENERGY STAR	N/A
Ice Production Per Day	60 lb
Ice Storage	30 lb
Product Weight: Max	91 lb
Refrigerant Type	R134a
Sabbath (Star K Certified)	Yes

ELECTRICAL REQUIREMENTS

This unit requires a grounded, polarized 115 VAC, 60 Hz, 15 A power supply (normal household current).



Warranty

Please visit u-line.com to view this model's User Guide & Service Manual. All Specifications are subject to change without notice.

Deemed suitable for outdoor use by UL.