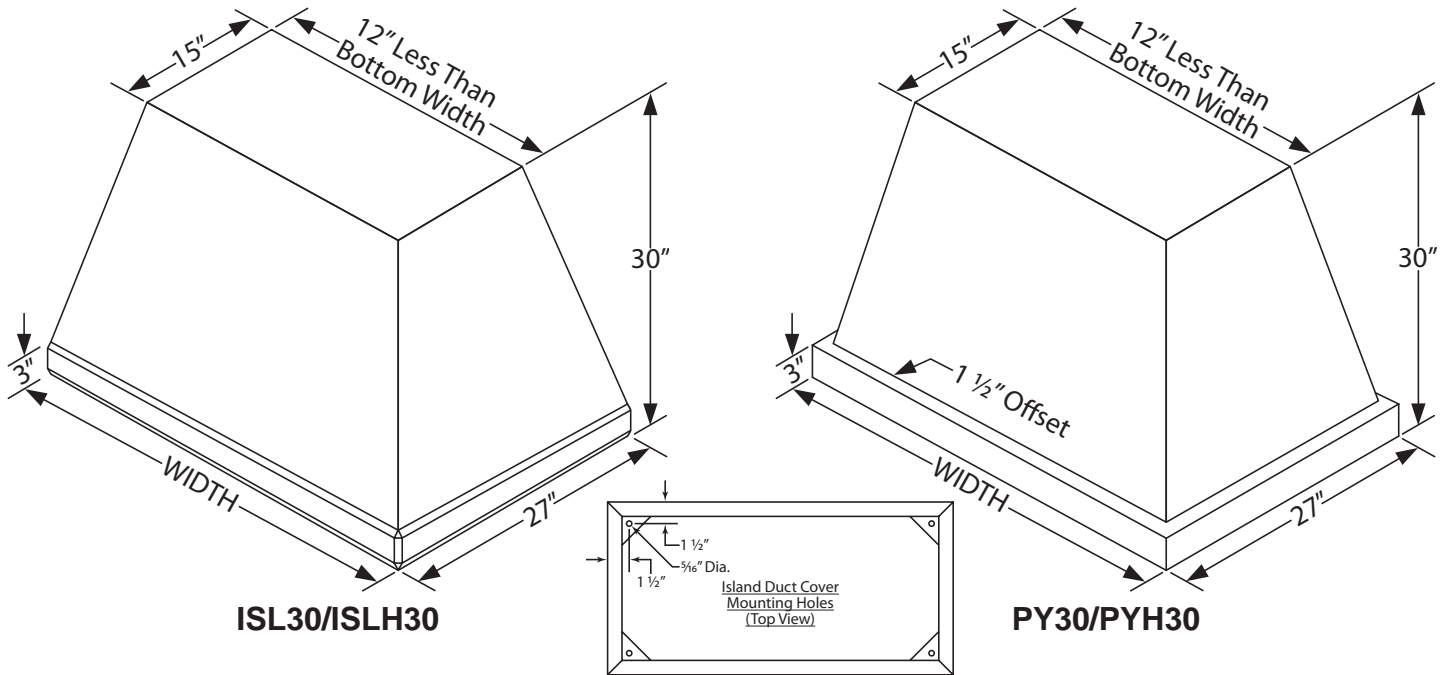


# VentA Hood® ISLAND RANGE HOOD SPECIFICATIONS

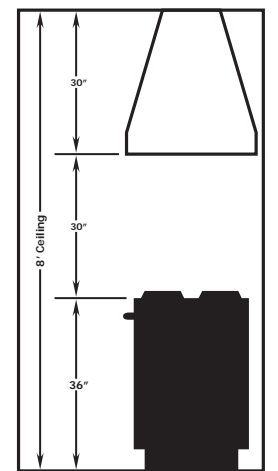
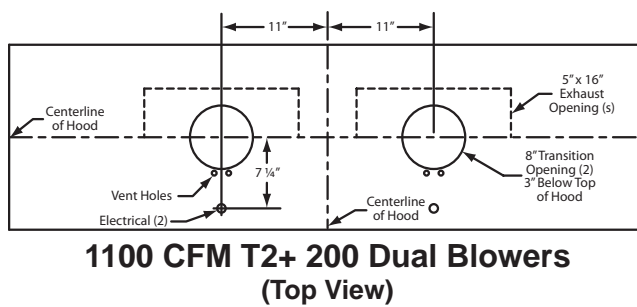
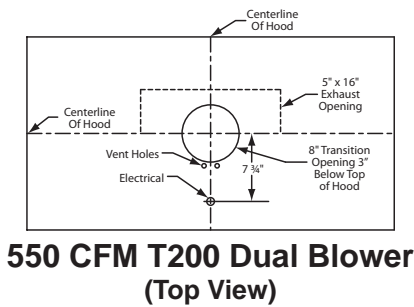
ISL30/ISLH30/PY30/PYH30 "H" in part number indicates halogen lighting. These models not available with heat lamps.



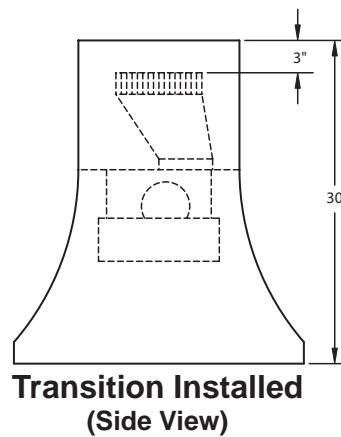
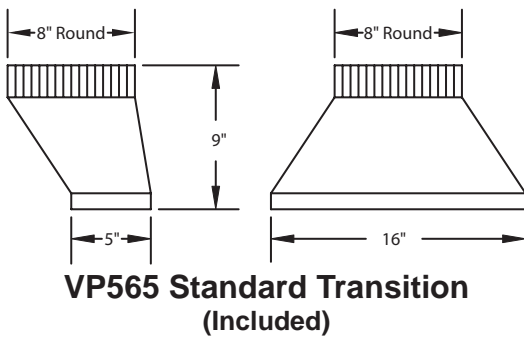
**Connection Diagram (36" - 54")**

**Connection Diagram (60" - 66")**

**Recommended Mounting Height\***



\*Exceeding recommended mounting height may compromise performance.



## Electrical/Mechanical Specifications For Blower Units

Model	Volts	Amps*	Hz	RPM	CFM SP@0.0"	Equivalent CFM*	CFM SP@0.1"	CFM SP@0.2"	CFM SP@0.3"	Minimum Round Duct Size	Sones#
T200 Island Dual	115	2.9	60	1550	550	900	507	471	431	8" (50 in. <sup>2</sup> )	6.0

\* Add 0.5 amp for each halogen light. Hood is available with fluorescent lights (two for each dual blower) or with halogen lights (one in each corner).  
 # Because the Magic Lung® blower uses centrifugal filtration rather than conventional baffle or mesh filters, the Magic Lung® blower can handle cooking equipment with higher cubic feet per minute (CFM) requirements and can deliver equivalent CFM much more efficiently than other filtration systems. When comparing the Magic Lung® with other blower units made by other manufacturers, use the "Equivalent CFM".  
 # Ratings in accordance with the Standard Test Code by the Energy Systems Laboratory of the Texas Engineering Experiment Station.