



Read and Save These Instructions
All Hoods Must Be Installed By A Qualified Installer

INSTALLATION INSTRUCTIONS

XLH12 WALL MOUNT HOOD

Read All Instructions Thoroughly Before Beginning Installation

WARNING - TO REDUCE THE RISK OF FIRE, ELECTRIC SHOCK, OR INJURY TO PERSONS, OBSERVE THE FOLLOWING:

- A. Installation work and electrical wiring must be done by qualified person(s) in accordance with all applicable codes and standards, including fire-rated construction. Switch power off at service panel and lock the service disconnecting means to prevent power from being switched on accidentally during installation.**
- B. When cutting or drilling into wall or ceiling, do not damage electrical wiring and other hidden utilities.**
- C. Ducted fans must always be vented to the outdoors.**
- D. Sufficient air is needed for proper combustion and exhausting of gases through the flue (chimney) of fuel burning equipment to prevent back drafting. Follow the heating equipment manufacturer's guideline and safety standards such as those published by the National Fire Protection Association (NFPA), and the American Society for Heating, Refrigeration and Air Conditioning Engineers (ASHRAE), and local code authorities.**

WARNING - TO REDUCE THE RISK OF FIRE, USE ONLY METAL DUCTWORK

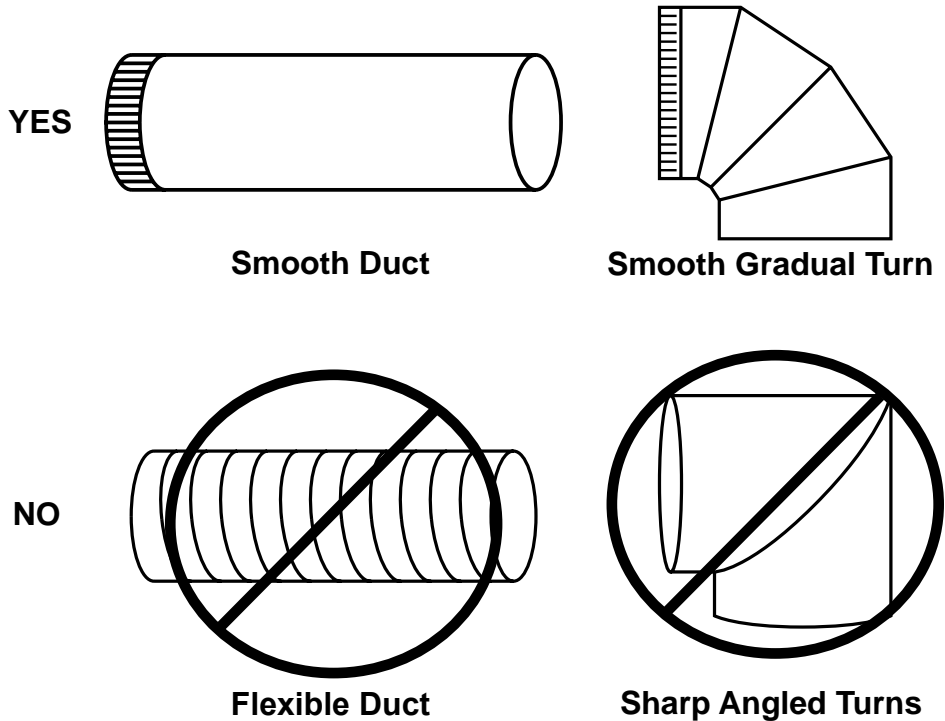
Vent-A-Hood®

Ducting Do's and Don'ts

NEVER restrict the duct size. The dual blower unit (B200) requires 8" round duct or equivalent (50 square inches). Using Vent-A-Hood transitions (back page) will ensure proper efficiency.

Blower	Duct Size	Sq. Inch Area	Vent-A-Hood Transition
Dual (B200)	8" round or equivalent	50"	N/A

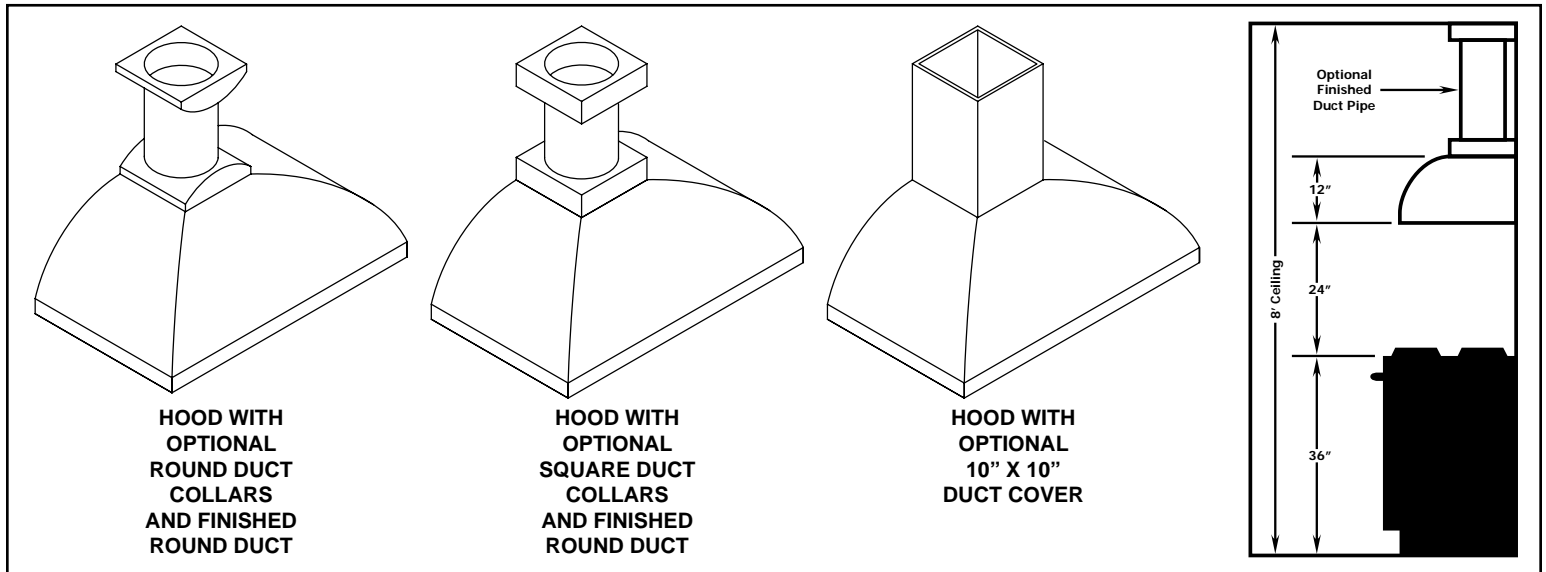
Do not use flexible or corrugated duct. This type of duct will restrict airflow and reduce performance. Only use smooth, galvanized, metal duct. Observe local codes regarding special duct requirements and placement of duct against combustibles. Make the duct run as short and as straight as possible with as few turns as possible. Avoid sharp-angled turns. Instead, use smooth, gradual turns such as adjustable elbows or 45 degree angled turns. For duct runs over 20 feet, increase the duct diameter by one inch for every ten feet of duct. A 90 degree elbow is equal to 5 feet of duct. Using Vent-A-Hood roof jacks or wall louvers (back page) will ensure proper efficiency. Airflow must not be restricted at the end of the duct run. Do not use screen wire or spring-loaded doors on wall louvers or roof jacks. Do not terminate venting into an attic or chimney. Where possible, seal joints with duct tape. The hood must be ducted to the outdoors without restrictions.



Vent-A-Hood®

Installation Details

- 1) Read all instructions thoroughly before beginning installation.
- 2) When installing an XLH12 wall mount hood, it is recommended that the bottom edge of the hood be located no more than 24" from the cooking surface. Exceeding recommended mounting height may compromise performance.



- 3) IF THE HOOD IS TO BE "BACK VENTED" (HOODS WITH 10" X 10" SQUARE DUCT COVER ONLY), SKIP STEP 4 AND PROCEED DIRECTLY TO STEP 5.

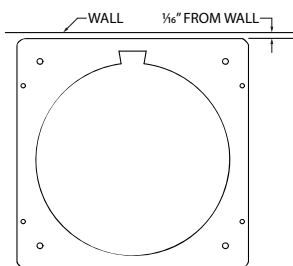
Install the 8" duct from the outside of the home to the ceiling over the exhaust outlet of the hood. The end of the duct should terminate 1" above the ceiling. Consult the connection diagram (below) for further details on exhaust outlet placement.

Use duct tape to seal all joints. A complete listing of available Vent-A-Hood ducting materials is provided on the back page of this instruction sheet.

- 4) FINISHED ROUND DUCT INSTALLATIONS ONLY. IF USING A 10" X 10" SQUARE DUCT COVER, PROCEED DIRECTLY TO STEP 5.

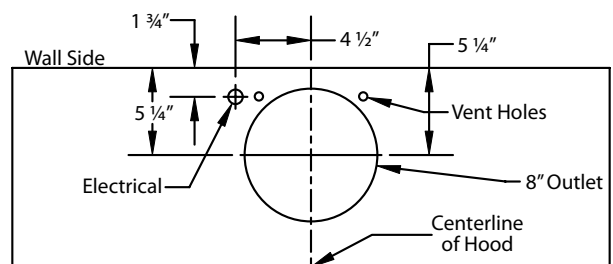
Remove the ceiling mounting plate from the duct collar packaging. Place the ceiling mounting plate on the ceiling with the notched side 1/16" from the wall (see diagram below). Center the ceiling mounting plate over the location where the hood will hang. Trace the opening and the four larger screw holes from the plate onto the ceiling. Remove the ceiling mounting plate and cut the center opening in the ceiling as marked. Place the ceiling mounting plate back onto the ceiling, aligning the screw holes with the marks on the ceiling. Using appropriate hardware, secure the plate to the ceiling through the four larger screw holes. Match drill the four smaller holes into the ceiling with a 3/16" drill bit to a minimum of 3/8" depth. With the notched side toward the wall, place the duct collar under the ceiling mounting plate taking care to align the pins in the duct collar with the small holes in the ceiling mounting plate. From inside the duct collar, press the four pins, one at a time, into the ceiling mounting plate.

Ceiling Mounting Plate



(Top View)

Connection Diagram (30"- 36" Widths)



600 CFM B200 Dual Blower (Top View)

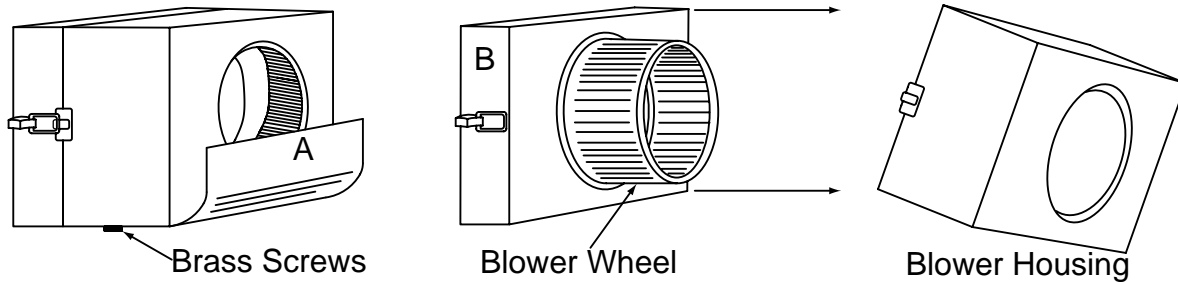
Vent-A-Hood®

Installation Details Continued

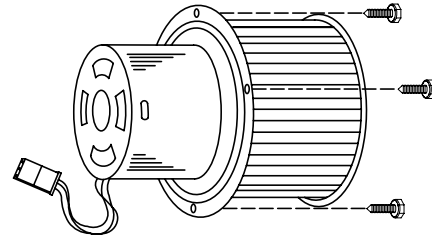
- Remove the hood from its packaging and place the back of the hood on the floor or countertop in front of the wall where it will hang.
- FOR FINISHED ROUND DUCT APPLICATIONS ONLY. FOR 10" x 10" SQUARE DUCT COVER APPLICATIONS, PROCEED DIRECTLY TO STEP 7.**

Remove the duct collar from its packaging. Discard the ceiling mounting plate. With the notched side toward the back of the hood, place the duct collar over the top of the hood taking care to align the pins in the duct collar with the holes on the top of the hood. From inside the duct collar, press the four pins, one at a time, into the top of the hood. Insert the finished round duct, crimped end up, through the lower duct collar and into the exhaust collar on the hood. Seal joint with duct tape.

- Remove the blower shield (A) by loosening the two brass screws on the bottom of the shield. Gently close the back draft dampers from the top side of the hood. Unsnap the suitcase latches (B) (one on each side of the blower housing). The blower housing should be pulled forward and gently "tipped" to clear the blower wheels and then out of the hood.



- Remove the three screws retaining the blower motor(s). Unplug and remove the motor(s), taking care not to damage the blower wheel(s). It is not necessary to remove the blower wheel from the motor.



Warning: Make sure power is off and locked at the service disconnecting means on the service panel during installation.

- Install an appropriate 1/2" UL listed electrical wire clamp through the motor box electrical opening on top of the hood. Install electrical wiring from the service panel to the hood location for the motor box. Consult the connection diagram (on previous page) for further details on electrical placement. Extend wire to the hood. Electrical hook up will occur before the hood is installed on the wall.

Model	Volts	Amps	Hz	RPM	CFM SP@0.0"	Equivalent CFM*	CFM SP@0.1"	CFM SP@0.2"	CFM SP@0.3"	Minimum Round Duct Size	Sones [‡]
B200 Dual	115	3.9	60	1550	600	900	531	480	430	8" (50 in. ²)	6.5

* Because the Magic Lung® blower uses centrifugal filtration rather than conventional baffle or mesh filters, the Magic Lung® blower can handle cooking equipment with higher cubic feet per minute (CFM) requirements and can deliver equivalent CFM much more efficiently than other than other filtration systems. When comparing the Magic Lung® with other blower units made by other manufacturers, use the "Equivalent CFM".
[‡] Ratings in accordance with the Standard Test Code by the Energy Systems Laboratory of the Texas Engineering Experiment Station.

- FOR USE WITH 10" X 10" SQUARE DUCT COVERS ONLY. IF A 10" X 10" SQUARE DUCT COVER IS NOT BEING USED, PROCEED DIRECTLY TO STEP 11.** Remove the duct cover from its packaging. Remove and save the screws from the base of the duct cover. Place the duct cover onto the top of the hood. Attach the duct cover to the hood with the screws previously removed.

- Lift the hood and duct cover assembly and hold in place on the wall in the location where it will be installed. Lightly mark the wall with a short horizontal mark along the bottom edge of the hood.

Installation Details Continued

12) Remove the hood and duct cover assembly from the wall. On the back side of the hood, measure the distance between the bottom edge of the hood and the top edge of the wood mounting strip. Measure this distance above the horizontal line made in Step 11 and lightly mark the wall with a level, horizontal line. Measure where the center (left to right) of the hood will be and mark the upper horizontal line on the wall with a short, vertical centerline.

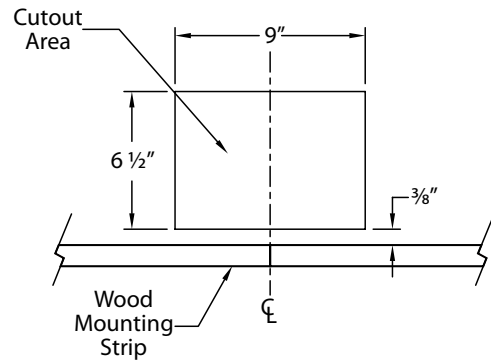
13) Remove the screws inside the top of the back of the hood that retain the wood mounting strip that is recessed in the mounting channel. Note: Some retaining screws may be located inside the motor box. Remove the wood mounting strip from the back of the hood and place the top edge of the strip on the upper, level horizontal line on the wall. Referencing the vertical centerline from Step 12, place the mounting strip so it is centered (left to right) on the wall in the space where the hood will be located. Drill pilot holes in the wood mounting strip to prevent splitting. Using proper hardware, attach the mounting strip to at least two wall studs.

14) **BACK VENTING APPLICATIONS ONLY (HOODS WITH 10" X 10" SQUARE DUCT COVERS). IF NOT BACK VENTING, PROCEED DIRECTLY TO STEP 15.**

Note: Wall studs may interfere with back venting installations. Additional framing may be required. It is necessary to cut a duct access hole in the wall prior to installing the hood.

Starting 3/4" above the wood mounting strip, cut a hole 6 1/2" high x 9" wide centered on the hood centerline (see diagram at right). Install the duct from the outside of the home to the opening in the wall. Use duct tape to seal joints.

Back Venting Cut Out Diagram



15) Hang the hood by aligning the channel at the top of the back of the hood over the wood mounting strip on the wall. While holding the hood in place, mark locations on the wood mounting strip through the two mounting holes in the channel at the top of the hood. Some mounting holes may be located inside the motor box. Remove the hood and drill 3/32" pilot holes at the center of the marks in the wood mounting strip to prevent splitting.

16) **BACK VENTING APPLICATIONS ONLY (HOODS WITH 10" X 10" SQUARE DUCT COVERS). IF NOT BACK VENTING, PROCEED DIRECTLY TO STEP 17 FOR FINISHED ROUND DUCT APPLICATIONS OR STEP 18 FOR TOP VENTED 10" x 10" SQUARE DUCT COVER APPLICATIONS.**

Place the appropriate elbow (Vent-A-Hood part number VP515) on the top of the hood. The elbow should be placed inside the collar of the exhaust outlet. Use duct tape to seal joint. Insert the electrical wire from the service panel through the electrical wire clamp on the motor box. Tighten the wire clamp. While securing the slack in the electrical wire, lift the hood up to the wall and hang the hood on the mounting strip, taking care to properly align the duct connection between the elbow and the duct in the wall. Secure the hood to the wood mounting strip by installing the screws (previously removed from the strip in Step 13) into the pilot holes drilled in Step 15. **SKIP STEPS 17 AND 18. PROCEED DIRECTLY TO STEP 19.**

17) **FINISHED ROUND DUCT INSTALLATIONS ONLY.** Remove the wire channel cover from the back of the finished round duct. Insert the electrical wire from the service panel through the electrical wire clamp on the motor box. Tighten the wire clamp. Guide the electrical wire into the electrical wire channel and press the wire channel cover back into place, taking care not to pinch the electrical wire. Lift the hood into position while aligning the finished round duct and the ceiling duct collar. As the hood is lifted into position, secure the slack in the electrical wire to ensure that the electrical wire does not get pinched. Secure the hood to the wood mounting strip by installing the screws (previously removed from the strip in Step 13) into the pilot holes drilled in Step 15. **SKIP STEP 18. PROCEED DIRECTLY TO STEP 19.**



Installation Details Continued

- 18) **TOP VENTED 10" x 10" SQUARE DUCT COVER APPLICATIONS ONLY.** Insert the electrical wire from the service panel through the electrical wire clamp on the motor box. Tighten the wire clamp. Cut a piece of duct the length of the duct cover plus 2". One end of the duct must be crimped to fit inside the duct in the ceiling. Insert non-crimped end into the exhaust collar on top of the hood and seal with duct tape. While securing the slack in the wire, lift the hood up to the wall and hang the hood on the mounting strip, taking care to align the duct connection between the hood and the ceiling. Secure the hood to the wood mounting strip by installing the screws (previously removed from the strip in Step 13) into the pilot holes drilled in Step 15.
- 19) From inside the hood, using UL listed wire nuts, attach the "neutral" wire to the white lead inside the motor box, the "hot" wire to the black lead inside the motor box, and the ground wire to the green lead inside the motor box.

Warning: Do not operate hood without proper ground connection.

- 20) Plug the motors into the hood and reinstall the blower motor retaining screws that were previously removed in Step 8.
- 21) Replace the blower housing and the blower shield. Make sure that the dampers open and close smoothly.
- 22) Refer to the Owner Maintenance Guide Operating Instructions for proper hood operation. Test all blower and light functions to ensure they are operating properly.

VENTING



ACCESSORIES

WALL LOUVER

MODEL	DIM
VP526	6" Round
VP527	7" Round
VP528	8" Round

WALL LOUVER

MODEL	DIM
VP554	10" Round

WALL LOUVER

MODEL	DIM
VP555	12" Round

RECTANGULAR WALL LOUVER

MODEL	DIM
VP538	6" x 8 1/2"
VP560	3 1/4" x 10"

LOW PROFILE ROOF JACK (MAXIMUM 4/12 PITCH)

MODEL	DIM
VP539	6" Round
VP540	7" Round
VP541	8" Round

LOW PROFILE ROOF JACK (MAXIMUM 4/12 PITCH)

MODEL	DIM
VP552	10" Round
VP553	12" Round

ADJUSTABLE ELBOW

VP513 - 8 1/2"
VP514 - 9 9/16"
VP515 - 10 3/8"

MODEL	DIM
VP513	6" Round
VP514	7" Round
VP515	8" Round

BACK/SIDE VENT ELBOW

MODEL	DIM
VP561	8" to 6" x 8 1/2"

3 1/4" x 10" BACK VENT ELBOW

MODEL	DIM
VP559	3 1/4" x 10"

MULTI-BLOWER TRANSITION

VP562 - 17 1/2"
VP563 - 16 1/2"
VP562 - 23 1/4"
VP563 - 30 1/2"

MODEL	DIM
VP562	6" & 8" to 10"
VP563	8" & 8" to 12"

"Y" TRANSITION

MODEL	DIM
VP517	8" & 8" to 12"
VP518	6" & 8" to 12"
VP551	6" & 8" to 10"

3 1/4" x 10" TO 7" TRANSITION

MODEL	DIM
VP521	3 1/4" x 10" to 7"

OFFSET KIT - ROUND

MODEL	DIM
VP529	6" Rnd to 7" Rnd

OFFSET KIT - RECTANGULAR

MODEL	DIM
VP550	6" Rnd to 3 1/4" x 10"

STANDARD ISLAND TRANSITION

MODEL	DIM
VP565	5" x 16" to 8"

CLUSTER BLOWER TRANSITION

MODEL	DIM
VP564	8" & 8" to 12"

OFFSET L & R TRANSITION FOR ISLAND BLOWERS

MODEL	DIM
VP542	Top Left
VP543	Top Right

SIDE VENT TRANSITION L & R FOR ISLAND BLOWERS

MODEL	DIM
VP544	Left Side
VP545	Right Side

6" & 8" COLLAR

MODEL	DIM
VP533	6" Round
VP535	8" Round

6" x 8 1/2" COLLAR

MODEL	DIM
VP537	6" x 8 1/2"

ROUND DUCT PIPE

MODEL	DIM
VP500	6" Round
VP501	7" Round
VP502	8" Round

3 1/4" RECTANGULAR DUCT PIPE

MODEL	DIM
VP504	3 1/4" x 10"
VP505	3 1/4" x 12"
VP506	3 1/4" x 16"

6" RECTANGULAR DUCT PIPE

MODEL	DIM
VP507	6" x 8 1/2"