

A PROUD HERITAGE OF EXPERIENCE & QUALITY



# DISHWASHER

BR-DWSH01-S

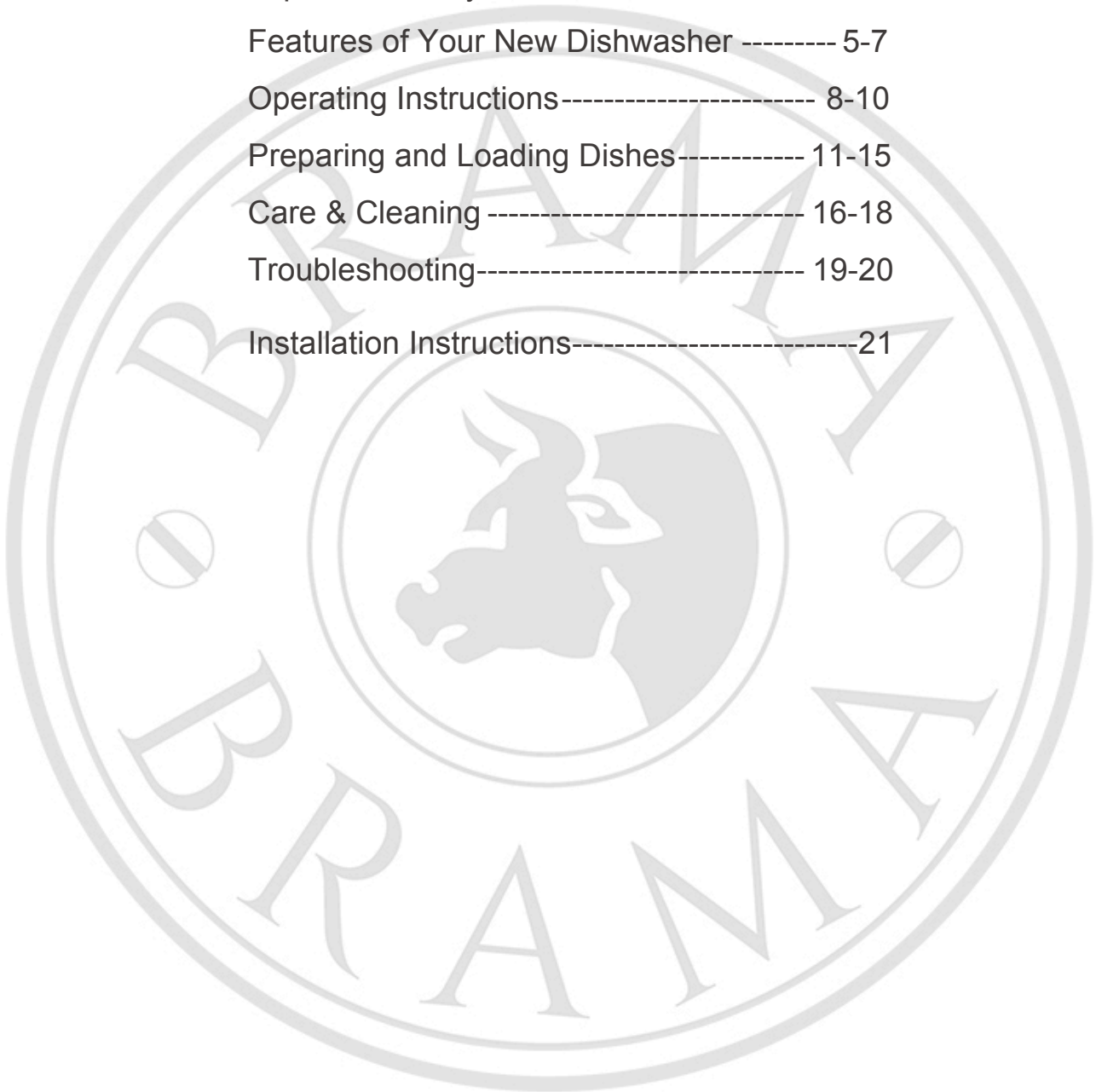
OWNER'S MANUAL



[WWW.VINOTEMP.COM](http://WWW.VINOTEMP.COM)

## Table of Contents

Important Safety Instructions-----	4
Features of Your New Dishwasher -----	5-7
Operating Instructions-----	8-10
Preparing and Loading Dishes-----	11-15
Care & Cleaning -----	16-18
Troubleshooting-----	19-20
Installation Instructions-----	21



## IMPORTANT SAFETY INSTRUCTIONS



For your safety, please follow the information in this manual to minimize the risk of fire, explosion, electric shock, and to help prevent property damage or personal injury.

### Proper Installation

To install your dishwasher properly, please follow the guide below:

- Water supply inlet temperature should be between 120°F - 149°F.
- Dispose and discard the appliance and packing materials properly.
- The dishwasher must be properly grounded, or it can result in a risk of electric shock. PERMANENTLY CONNECTED and CORD-CONNECTED are both allowed.
- If there is any damage to the Dishwasher, please contact to your Dealer. Please do not to attempt to repair or replace any part by yourself.

### Basic Precautions to Take Before Use

This manual does not cover every possible condition or situation that may occur.

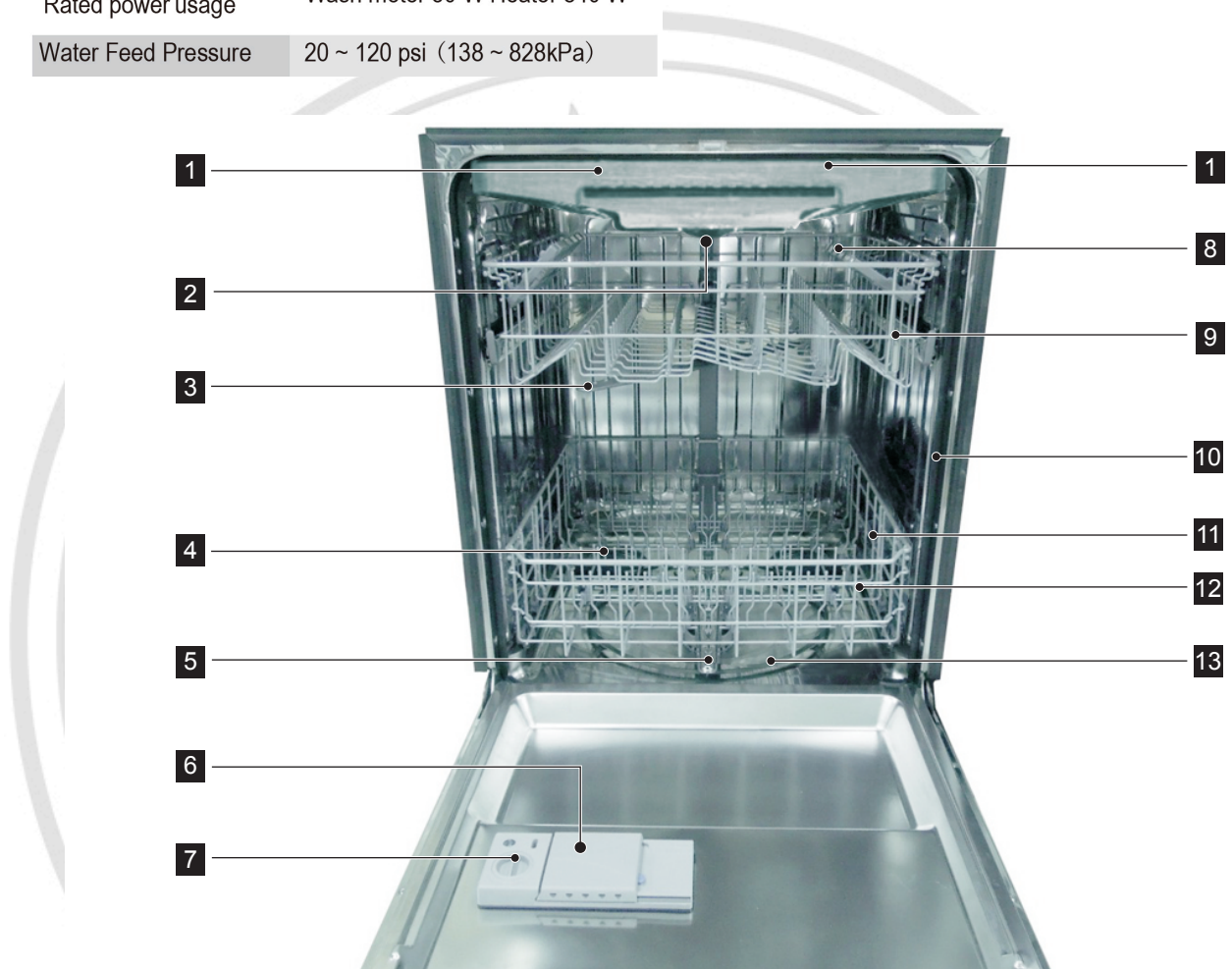
- Read all instructions before using the dishwasher. The manual does not cover every possible condition or situation that may occur.
- Use the dishwasher only for the intended function as described in this manual.
- When loading items to be washed:
  - Load sharp items and knives so that they are not likely to damage the door seal and tub.
  - Load sharp items and knives with the handles up to reduce the risk of injury.
- Do not wash plastic items unless they are marked dishwasher safe, if not marked, check with the manufacture for cleaning recommendations. Items that are not dishwasher safe may melt and create a potential fire hazard.
- If the dishwasher drains into a food disposer, please make sure the disposer is completely empty before running the dishwasher.
- Do not tamper with controls.
- Do not operate your dishwasher unless all enclosure panels are properly in place.
- Do not touch the heating element during or immediately after use, especially if the Sani Rinse option has been selected.
- Do not let children abuse, sit, or stand on door or racks of the dishwasher.
- Under certain conditions, hydrogen gas may be produced in a hot water system that has not been used for two or more weeks. HYDROGN GAS IS EXPLOSIVE. If the hot water system has not been used for two or more weeks, before using the dishwasher, turn on all hot water faucets and let the water flow for several minutes. This will release any accumulated hydrogen gas. Hydrogen gas is flammable. Do not smoke or use an open flame during this time.
- Do not store or use combustible materials, gasoline or other flammable vapors and liquids in the vicinity of this dishwasher or any other appliance.
- Use only detergents or rinse agents recommended for use in a dishwasher and keep them out of reach of young children.
- Keep young children and infants away from the dishwasher when it is operating.
- Do not use the dishwasher if it has a damaged power line or plug, and do not plug the dishwasher into a damaged outlet. Failure to observe these instructions may result in electrical shock.
- Remove the door to the washing compartment when removing an old dishwasher from service or discarding it.

**SAVE THESE INSTRUCTIONS**

# FEATURES OF YOUR NEW DISHWASHER

## Specifications

Capacity	14 place settings
Dimension	606 x 623 x 857 mm (W x D x H)
Power Supply	120 volts, 60Hz
Rated power usage	Wash motor 50 W Heater 840 W
Water Feed Pressure	20 ~ 120 psi (138 ~ 828kPa)



- |   |                                |
|---|--------------------------------|
| <b>1</b> Top blue light                                   | <b>8</b> Cup Shelf             |
| <b>2</b> Upper Spray Arm                                  | <b>9</b> Adjustable Upper Rack |
| <b>3</b> Middle Spray Arm                                 | <b>10</b> Tub Gasket           |
| <b>4</b> Turbo wash arm (Located on the left side of tub) | <b>11</b> Silverware Basket    |
| <b>5</b> Low Spray Arm                                    | <b>12</b> Bottom Rack          |
| <b>6</b> Detergent Dispenser                              | <b>13</b> Heating Element      |
| <b>7</b> Rinse Aid Dispenser                              |                                |

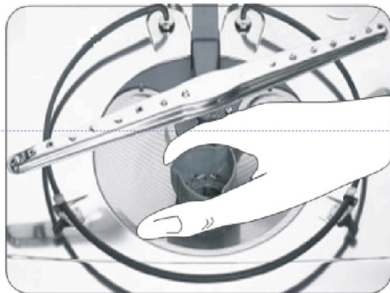


# FEATURES OF YOUR NEW DISHWASHER

## Features

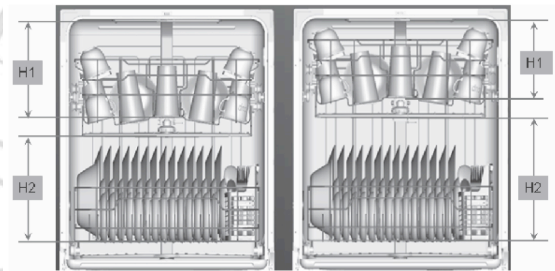
### Filter System

Your dishwasher has a multiple Filter System. In the system, there are four filter-meshes. It can separate soiled water and clean water into different chambers. The multiple filter system helps your dishwasher to achieve better performance with less water and energy.



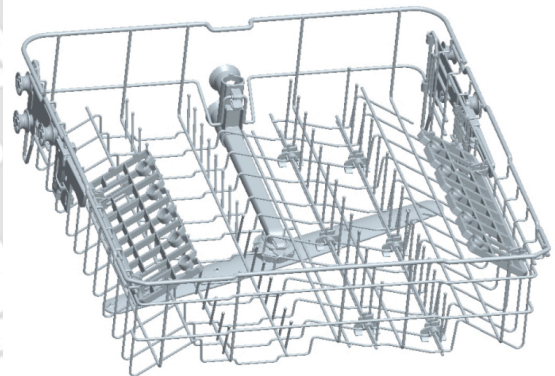
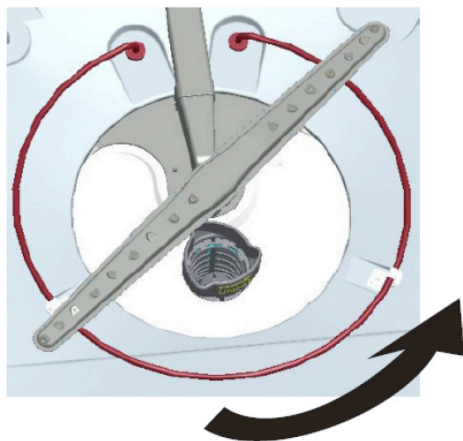
### Adjustable Upper Rack

The Upper Rack can be raised or lowered to accommodate the loading of taller dishes in either rack. The Upper Rack clearance height H1 goes from 8" to 10". The Bottom Rack clearance height H2 is 11" to 13".



### Smart Wash System

Your dishwasher has a Smart Wash System. When a partial load of lightly soiled dishes is placed in the unit, a wash cycle similar to a short wash will automatically be performed. When a full load of heavily soiled dishes is placed in the unit, a heavy wash cycle will automatically be performed. The dishwasher can determine the type of cycle required to clean the dishes and will clean more efficiently every time.



# FEATURES OF YOUR NEW DISHWASHER

## How Your Dishwasher Cleans

Your dishwasher cleans by spraying a mixture of hot water and detergent through spray arms onto soiled surfaces.

The dishwasher fills with water covering the filter area. Water is then pumped through the multiple filter and spray arms. Separated soil particles go down the drain as the water is pumped out and replaced with clean water.

The number of water fills will vary with the cycle being used.

## Getting Started

1. Load dishwasher (See preparing and loading dishes).
2. Add detergent (See Fill detergent to the dispenser).
3. Add rinse aid, if needed (See Fill rinse to dispenser).
4. Select desired CYCLE (See Cycle Chart). The indicator light beside the pad will glow when selected.
5. Select desired FUNCTIONS, the indicator light that beside the pad will glow when selected.
6. To start, press Start/Cancel (See Start/Cancel) pad.
7. Close the door, then the machine will start to work.

### NOTE

1. Your dishwasher has a top control panel. The door should be opened first if you want to operate the machine.
2. To start a cycle, the door must be closed within 4 seconds after press Start/Cancel.

## Wash Cycle Selections

Cycle times will vary depending on water use, detergent and level of soiled dishware.

A sensor will check the water temperature. If the water is not hot enough the timer will be delayed for automatic water heating in the main wash. Hi Temp wash will require hotter temperatures to handle the more soiled dishware.

# CONTROL PANEL



## NOTE

This unit is a built-in model. All the buttons can only be operated in the open state.

## How Your Dishwasher Cleans

- 1. Pots & PANS**  
This cycle is for hard-to-clean, heavily soiled dishes, pots and dishes.
- 2. Normal Wash**  
This cycle is for regularly soiled dinner dishes or silverware.
- 3. China / Gentle**  
This cycle is for lightly soiled china and crystal.
- 4. Quick Wash**  
This cycle is for lightly soiled and pre-rinsed dishes and silverware.
- 5. Rinse Only**  
This cycle is for pre-rinsing dishes or glasses. This is only a rinse that keeps food from drying on your dishes and reduces odor buildup in your dishwasher until you are ready to wash a full load. Do not use detergent.
- 6. ENERGY SAVER**  
For lightly soiled or pre-rinsed dishes and silverware.

## Functions:

- 7. Air Exchange**  
Select the "Air exchange function, the dishwasher will exchange the air every 6 hours to keep the air in the dishwasher fresh.

- 8. Steam Wash**  
For use with heavily soiled items, this STEAM option adds 30 minutes to the cycle time.
- 9. Child Lock**  
You can lock all controls to prevent children from accidentally changing the dishwasher cycle or starting the dishwasher. Press the "Steam Wash" and the "Turbo Wash" simultaneously to select or cancel the function. After the function is selected, the corresponding indicator light will turn on.
- 10. Turbo Wash**  
Use this option when you want to wash pots and pans, durable serving bowls, and other large, very dirty, hard to clean dishes. To use the Turbo Wash, place dishes face down in the lower rack directly above the Turbo Wash arm, in the back left corner.
- 11. Heated Dry**  
When the "Heated Dry" function is selected, the heater will function during the drying process.
- 12. Sani Rinse**  
To sanitize your dishes and glassware, select the "Sani Rinse" option. When the "Sani Rinse" function is selected, the temperature of water will maintain at 70°C (158°F) max.

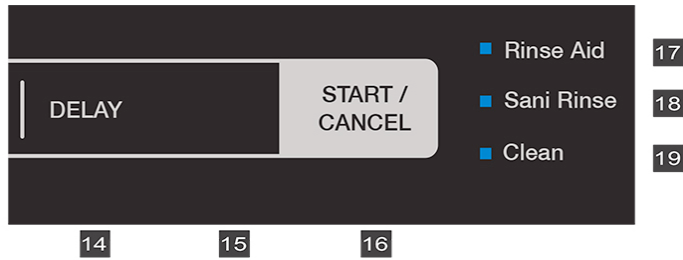
**Certified residential dishwashers are not intended for licensed food establishments. The "Sani Rinse" cycle is not NSF certified.**

**The Sani Rinse option is available with "POTS & PANS", "NORMAL WASH", and "ENERGY SAVER" cycles.**

- 13. Hi Temp Wash**  
When the "Hi Temp Wash" function is selected, the temperature of water will maintain at 60°C (140°F) max.



# OPERATING DISHWASHER



## 16. Start / Cancel

Open the door, select a wash cycle you desire, and the indicator light will turn on. Press the Start/Cancel button and close the door within 4 seconds, then the selected program light begins to blink and the cycle progress indicator on the control panel will light on, the washing cycle is then running.

If you close the door more than 4 seconds after pressing the Start/Cancel button, the cycle will pause and not run.

To cancel a running cycle, open the door and press the Start/Cancel button for 3 seconds, then the dishwasher will drain the water for 60 seconds and the screen will display the time "60". After the drain, you can select the desired cycle.

When you want to load more dishes or pause the dishwasher while it is already running, make sure to open the door slowly and carefully as there is a possibility of injury by hot steam from inside the dishwasher. You can add more dishes before the main wash starts.

Open the door and check the detergent dispenser. If the detergent dispenser is still closed, you can add items. To achieve the best washing experience, it's strongly recommended that all dishes be loaded before washing program begins.

## 14. Delay

To delay the start of a selected cycle, open the door, then press the Delay Start pad until the desired delay time shows in the LED display screen. It will allow you to start your dishwasher for 1 to 24 hours delay. Press the Start/Cancel pad once, after that, you should close the door within 4 seconds, then the delay is running.

If you open the door during the delay, you should press the Start/Cancel pad, then close the door within 4 seconds, the delay will run again.

To cancel the Delay Start option and begin the cycle, before the delay period is over press the Start/Cancel pad for 3 seconds.

## 15. Display Window

To display the remained hours and minutes of the running cycle, delay hours and error codes etc.

## 17. Rinse Aid Indicator Light

Turns on when the dishwasher needs to add Rinse aid.

## 18. Sani Rinse Indicator Light

If a cycle with the sanitize function is finished, the sanitized indicator light turns on. If you open the door, it will turn off after 30 seconds.

## 19. Clean Indicator Light

Turns on after a cycle finished. If you open the door, it will turn off after 30 seconds.

## CYCLE PROGRESS INDICATOR



Located on ride side of the front of the dishwasher, these lights indicate how far along is the current wash cycle while the dishwasher is running.

1	WASH	When the dishwasher is in a wash or rinse portion of a cycle, the Wash lights are illuminated.
2	DRY	When the dishwasher is in a drying portion of a cycle, the Wash and Dry lights are illuminated.
3	CLEAN	After the dishwasher has completed all portions of a cycle, all indicator lights are illuminated. If you open the door when the Cleaning lights are illuminated, all the portion lights will turn off after 30 seconds.

# CONTROL PANEL

## Status Window

### H:01-H:24

If the Delay Start option is selected, the number of delay start hours shows in the Status Window.

### H:01-H:24

After the machine runs the remaining time of the cycle that has been selected, it will be shown in the Status Window.

## Error Indication

In certain situations critical to the machine's function and safe operation, the control shall shut down and indicate an error code (See Error Codes on page 18).

If Error codes are displayed, contact the dealer or servicer. They will be able to provide assistance in trouble shooting the problem and or locate an authorized service technician if needed.

### NOTE

The remaining time could suddenly increase or drop by several minutes. This means the Smart Sensor checked the soil level and determined if additional water fills are needed or if water fills can be cancelled.

## CYCLE CHART

Program	Description of Cycle	Water (L)	Cycle time (min)
POTS & PANS	Pre Wash	22.8	140
	Pre Wash		
	Wash(48°C)		
	Rinse		
	Rinse		
	Rinse(58°C)		
	Drying		
NORMAL WASH	Pre Wash	10.8~23.0	105~135
	Auto(42~48°C)		
	Rinse(50~58°C)		
	Drying		
CHINA / GENTLE	Pre Wash	19.3	120
	Pre Wash		
	Wash(48°C)		
	Rinse		
	Rinse(58°C)		
	Drying		
QUICK WASH	Pre Wash	15.5	60
	Wash(40°C)		
	Rinse(50°C)		
	Drying		
RINSE ONLY	Rinse Only	8	20
ENERGY SAVER	Pre Wash	19.3	105
	Pre Wash		
	Wash(40°C)		
	Rinse		
	Rinse(50°C)		
	Drying		



# PREPARING AND LOADING DISHES

## Adjustable Upper Rack

The upper rack height can be easily adjusted to accommodate loading taller dishes in either rack. To accommodate taller dishes in the bottom rack, there are 2 positions available:

### 1. Lift the rack for upper position



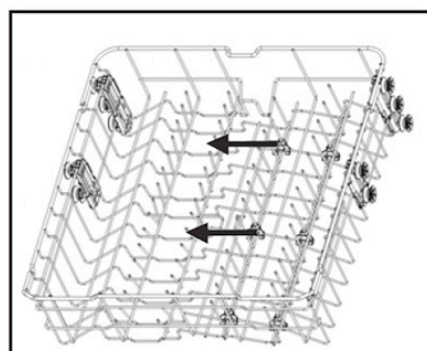
The upper rack in the upper position



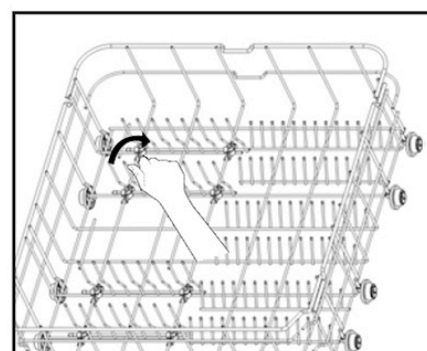
### 2. Up press the handle to lower the rack



The upper rack in the lower position



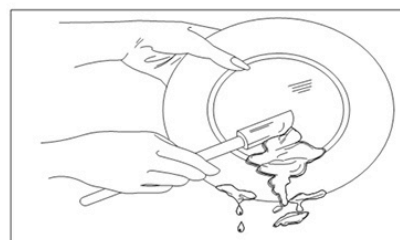
Upper rack



Lower rack

## Dish Preparation

Scrape away large pieces of food, bones, pits, toothpicks, etc. The continuous filtered wash system will remove the remaining food particles. Burned-on foods should be loosened before loading. Empty liquids from glasses and cups. Foods such as mustard, mayonnaise, vinegar, lemon juice and tomato based products may cause discoloration of stainless steel and plastics if allowed to sit for a long period of time. Unless the dishwasher is operating at once, it is best to rinse off these food soils. If the dishwasher drains into a food disposer, be sure disposer is completely empty before starting dishwasher.



Height should be adjusted without dishes in the racks.



# PREPARING AND LOADING DISHES

## Loading the Upper Rack

The upper rack is designed for cups, glasses, small plates, bowls and plastic items marked safe etc.

For best results, place the bowls, cups, glasses, sauce pans with soiled surface facing down or toward the center. Tilt slightly for better drainage.



Make sure the loaded dishes do not interfere with the rotation of the middle spray arm, which is located at the bottom of the upper rack. (Check this by rotating the middle spray arm by hand.)

## Loading the Bottom Rack

The bottom rack is designed to load plates, soup bowls, plates, saucers and cookware. The adjustable rack space will allow you to load maximum 13 inch items.



Large items should be placed along the edge so they do not interfere with the middle spray arm rotation, and make sure they do not prevent the detergent dispenser from opening. Large items should be turned so that the inside faces downward, and make sure these items do not interfere with the lower spray arm rotation.

The fold-down bottom racks make it easy to load those extra large and hard-to-fit items. The racks may be left up for normal use or folded down for more flexible loading. Fold down for more space to load large pots or pans.



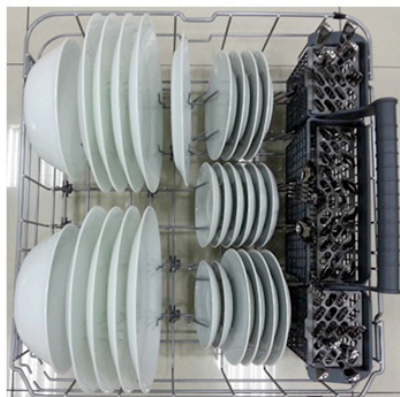
Upper Rack 8 place settings



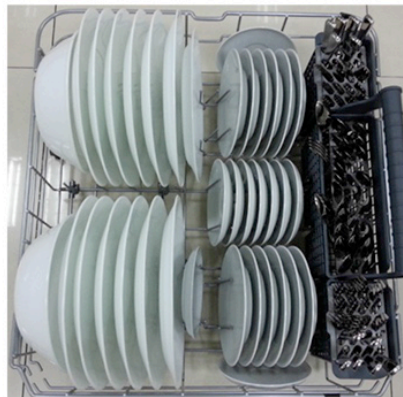
Upper Rack 12 place settings



Upper Rack 14 place settings



Bottom Rack 8 place settings



Bottom Rack 12 place settings



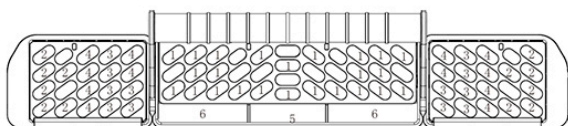
Bottom Rack 14 place settings

# PREPARING AND LOADING DISHES

## Loading the Silverware Basket


The silverware basket could be divided into three separate modules that can be used in both upper and lower racks.

1. Spoons
2. Knives
3. Salad forks
4. Forks
5. Large spoons
6. Large forks



### WARNING

Do not let any item extend through bottom.

 Be sure nothing protrudes through bottom of the basket or rack to block the lower spray arm.

## Adding a Dish

To add or remove items after wash cycle starts:

1. Open door slightly and wait a few seconds until wash action stops before completely opening.
2. Add the item.
3. Press the Start/Pause pad, then close the door latch firmly within 4 seconds, the cycle will automatically resume. If you close the door more than 4 seconds after pressed the Start/Cancel pad, the cycle will pause and not run.

### CAUTION

**TO AVOID BURN INJURY:** Slightly open door and wait until spray arms and wash action stop. Hot water may splash out of dishwasher. Failure to do so may result in injury.

## Filling the Rinse Aid Dispenser

Rinse aid greatly improves drying and reduces water spots and filming. Without a rinse aid your dishes and dishwasher interior will have excessive moisture. The Heated Dry option will not perform as well without rinse aid. The rinse aid dispenser, located next to the Detergent cup, automatically releases a measured amount of rinse aid during the last rinse.

If spotting and poor drying is a problem, increase the amount of rinse aid dispensed by rotating the dial to a higher number. The dial is located under the dispenser cap.

If the rinse aid is low, the Rinse Aid light is illuminated at the beginning and end of the cycle indicating that it is time to refill.



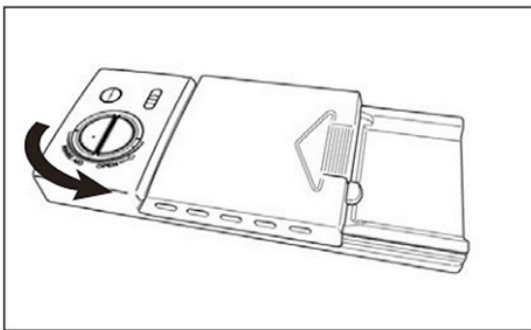
# PREPARE AND LOADING DISHES

## Filling the Rinse Aid Dispenser

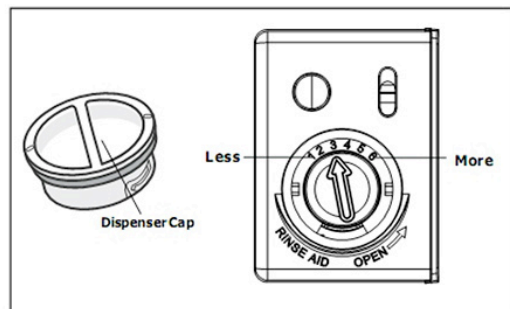


Your dishwasher is designed to use a liquid rinse aid. The use of rinse greatly improves drying performance after the final rinse. Do not use a solid or bar-type rinse aid. Under normal conditions, the rinse aid will last approximately one month, try to keep it full, but do not over fill.

1. Open the door, turn the dispenser cap to left and lift it out.



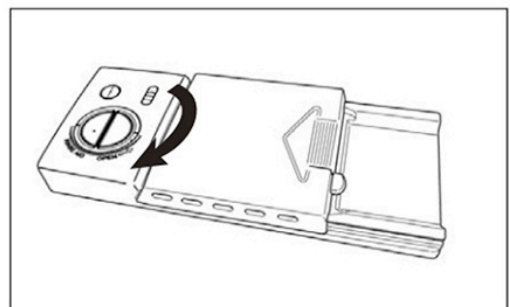
3. You can adjust the amount of the rinse aid released during the rinse operation, the greater number indicates the larger amount of rinse aid released.



2. Add rinse agent until the indicator point to max.

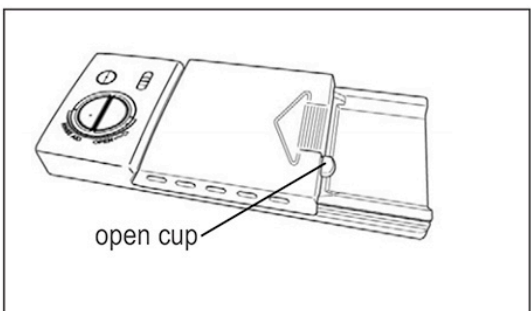


4. Replace the dispenser cap.

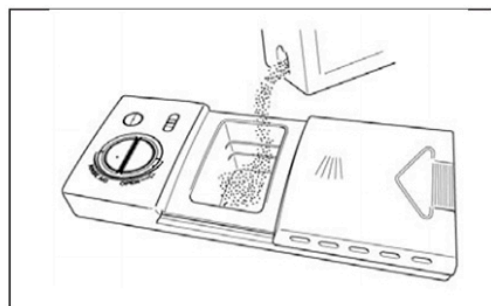


## Filling the detergent dispenser

1. Push the dispenser cover latch downwards and open it.

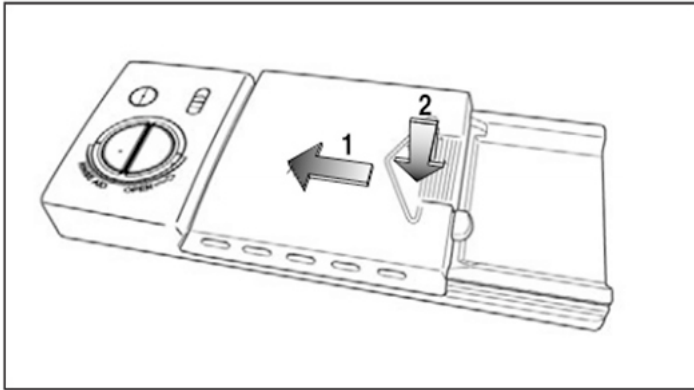


2. Add the detergent to the main wash compartment.



## PREPARE AND LOADING DISHES

3. Close the dispenser cover.



The amount of the detergent needed depends on the cycle and soil level of dishes, refer to the table below and adjust the recommended amount as necessary for your load.

Cycle	Soft Water (0-3 Grains)	Medium Hard Water (4-8 Grains)	Hard Water (9-12 Grains)	Very Hard Water* (Over 12 Grains)
Auto wash, Pots & wash, Normal wash	2 Teaspoons (Main Wash Cup - 1/4 Full)	5 Teaspoons (Main Wash Cup - fill to line above "Regular")	8 Teaspoons (Main Wash Cup Completely Full)	Each
Quick wash, China crystal	2 Teaspoons (Main Wash Cup - 1/4 Full)	5 Teaspoons (Main Wash Cup fill to line above "Regular")	8 Teaspoons (Main Wash Cup completely full)	Main
Rinse	No Detergent	No Detergent	No Detergent	No Detergent (Water Softener Recommended)



# CARE & CLEANING

## Cleaning the Exterior Door and Panel

### 2. Stainless Steel Panel

Clean the stainless steel door and handle regularly to remove the debris with cleaning soft cloth.

Do not use appliance wax, polish, bleach or products containing chlorine to clean the stainless steel door.

### 1. Control Panel

Clean the control panel with a lightly dampened cloth, clean it gently.

## Clean the Stainless Steel Inner Door and Tub

The tub is made of Stainless Steel. It will not rust or corrode if the dishwasher should be scratched or dented.

### Clean the Cylinder Filter

The Cylinder Filter is designed to collect some big items such as broken glass, bones and pits. The Cylinder Filter needs to be cleaned to maximize wash performance.

Remove the bottom rack, rotate the cylinder filter as shown, lift it out, empty and clean it by holding it under running water and replace.



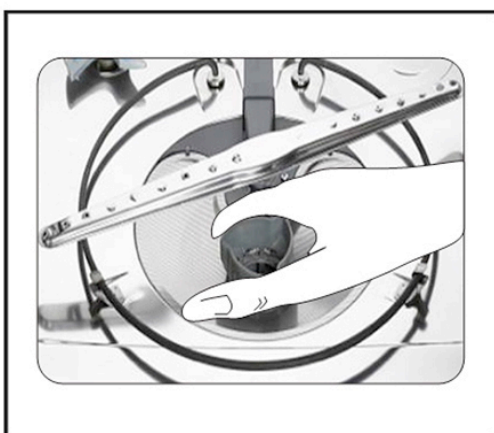
Clean the spots on the steel inner door and tub with a damp nonabrasive cloth.



## WARNING

### Burn Hazard

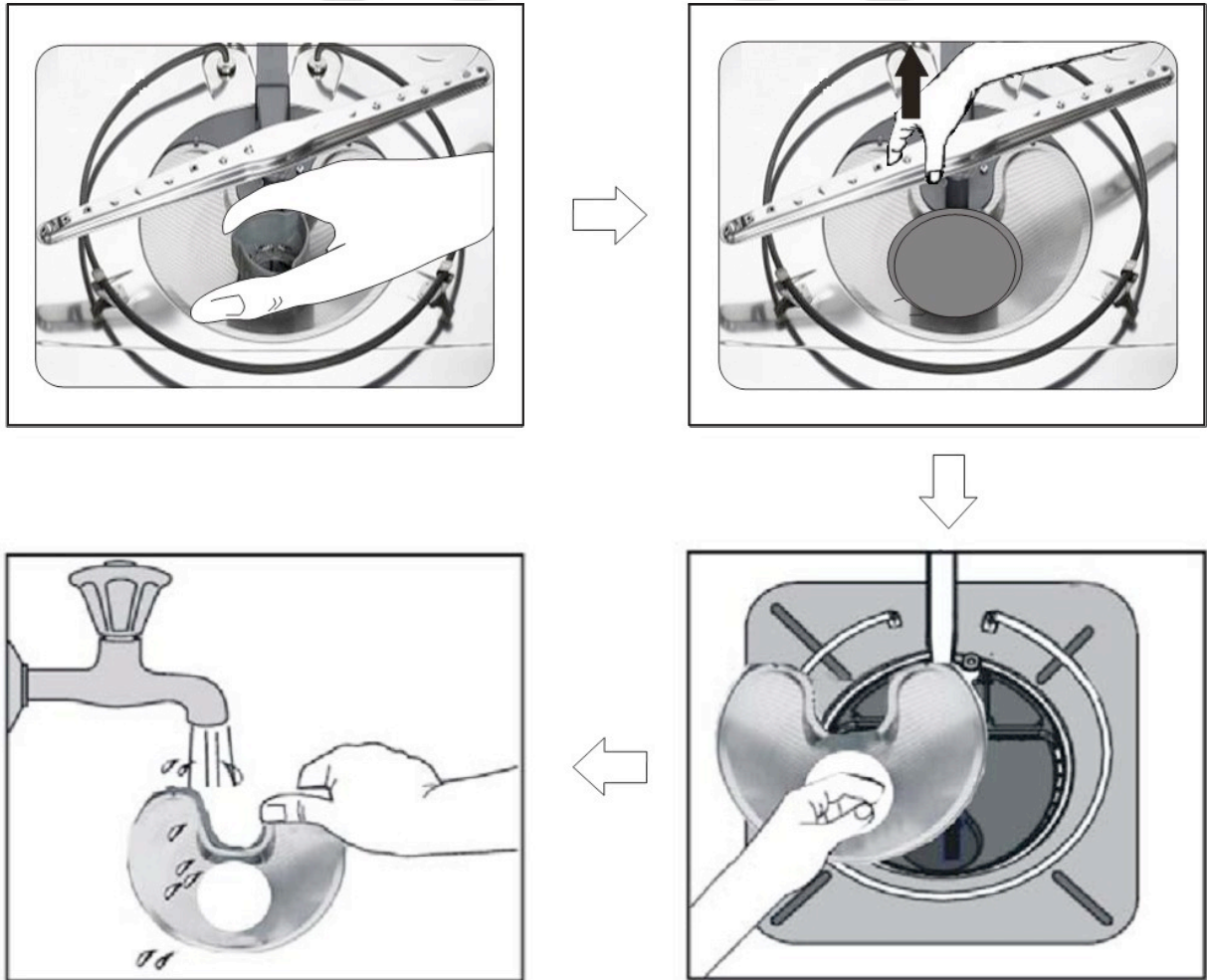
Allow heating element to cool before cleaning the interior.  
Failure to do so can result in burns.



## CARE & CLEANING

### Clean the Fine Filter

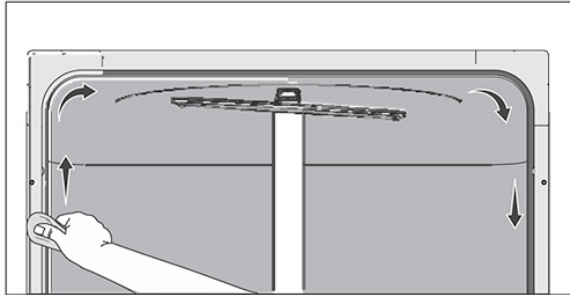
Take out the Cylinder Filter and remove the Fine Filter from the dishwasher tub bottom. To remove the Fine Filter you must first remove the bottom spray arm as shown below. Flush the Fine Filter by holding it under running water and replace.



# CARE & CLEANING

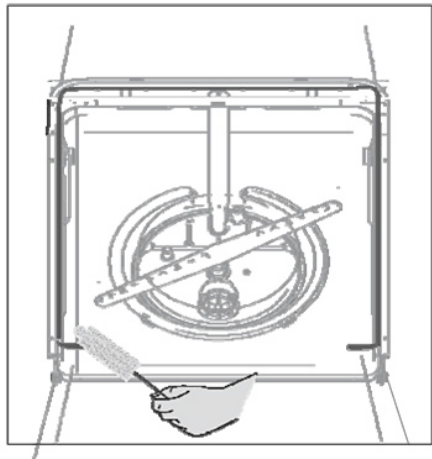
## Clean the Door Gasket

Clean the door gasket with a damp cloth to remove food particles regularly.



## Inside

The inside of the dishwasher is self-cleaning with normal use. If needed, clean the tub gasket with a damp cloth and use a brush similar to the ones shown below to clean the opening in the end of the gasket.



## Air Gap

If there is an air gap installed with your dishwasher, make sure it is clean so the dishwasher will drain properly.

Air gap is not a normal part of your dishwasher. Before you clean the air gap, turn off the dishwasher firstly and lift off the cover. Remove the plastic cap and clean with a toothpick.

## Protect Against Freezing

Your dishwasher should be protected from freezing properly if it was left in an unheated place. Have a qualified person do the following:

### To Disconnect Service:

1. Turn off electrical power to the dishwasher at the supply source by moving fuses or tripping circuit breaker.
2. Turn off the water supply.
3. Place a pan under the inlet valve. Disconnect water line from inlet valve and drain into pan. Disconnect drain line from pump and drain water into pan.

### To Restore Service:

1. Reconnect the water, drain and electrical power supply.
2. Turn on water and electrical power supply.
3. Fill both detergent cups and run dishwasher through a Heated-Wash cycle.
4. Check connections to make sure they do not leak.

# Troubleshooting

## Before Calling for Service

Problem	Possible cause	Solution
Dishwasher won't start	Door may not be closed properly	Shut the door completely make sure it is
	Power supply or power line is not connected	Latched. Check and connect the power supply
	Delay Start option has been selected	Refer in this manual to rese
	Child Lock activated (selected models)	Deactivate the child lock, refer to child lock section in this manual
Dishwasher beeps at the end of the cycle	It indicates the wash cycle finished, the dishwasher will beep	
Rinse Aid light on	The rinse aid level is low	Add rinse aid
Dishwasher operates too long	The dishwasher is connected to cold water	Check the dishwasher, make sure it connected to the hot water supply
	The cycle time will vary due to the soil	When heavy soil is detected, the auto, normal, pots & pan cycle will automatically increase the cycle time
	The sanitize option is selected	When sani rinse option is selected, the cycle time will be increase to meet the sanitized temperature request
Dishes are not clean enough	Water pressure is temporarily low	Use you dishwasher when the water pressure is normal
	The inlet water is low	Make sure the dishwasher is connected to the hot water supply Try not use your dishwasher when hot water is being used elsewhere in the house
	Dishes are loaded too close together improper use of detergent	Load the dishes again as the manual introduced Add detergent depending on the water hardness and the cycle you chose. Use fresh detergent.
	The selected cycle is not suitable for food soil condition	Choose anther cycle for longer washing time
	Spay arms is blocked by some items	Make sure the spay arm is rotated fluently
Dishes not drying enough	Detergent dispenser is empty	Fill rinse aid dispenser or increase the amount of rinse aid.
	Improper loading of dishes	Load the dishes again as the manual suggests
	The cycle you chose did not included the drying.	Choose the proper cycle with drying
Spots and filming on dishes	Water hardness is too high	For extremely hard water install a water softener
	Improper loading of dishes	Load the dishes again as the manual indicates
	Old or damp powder rinse aid is used	Use fresh rinse aid
	Rinse dispenser empty	Add rinse aid to the dispenser
Etching	Using too much detergent	Use less detergent if you have soft water Etching
	The inlet water temperature exceeds 150	Lower the inlet water temperature
Detergent left in dispenser cup	Detergent may be too old	Use fresh detergent
	Spray arm is blocked	Load the dishes, making sure the spray arms are not blocked.



## Troubleshooting

Problem	Possible cause	Solution
Detergent dispenser will not shut	Improper operation of the detergent cover	Add the detergent and rinse aid as indicated by the manual
Water remains in the dishwasher	Previous cycle has not finished or has been interrupted	Select the proper cycle as introduced by the manual
Dishwasher does not drain properly	Drain is clogged	Check the air gap Make sure the disposer is empty if the dishwasher is connected to the disposer
	Drain hose is kinked	Make sure the drain hose is properly connected to the sink
Suds in the tub	Improper detergent is used	Make sure to use only the automatic dishwasher detergent
Dishwasher leaks	Excessive suds caused by using the improper detergent	Make sure to use only the automatic dishwasher detergent
	Dishwasher is not level	Leveling the dishwasher (see the installation manual)
Black or gray marks on dishes	Aluminum utensils have rubbed against dishes	Choose a higher cycle Make sure the inlet water is no less than 120°F
Stained tub interior	Coffee and tea soil	Using a spot cleaner to remove the soil
	Reddish stain	Some tomato food will cause this. Use the rinse only cycle right after loading, this will decrease the staining
Noises	Detergent cup opening\Drain pump sound	This is normal
	A hard object has entered the wash module. When the object is ground up, the sound should stop.	If the noise persists after a complete cycle, call for service.
Dishwasher won't fill	Water valve is turn off	Check if the water valve is turn on
	Door latch may not be properly seated	Make sure the door is closed

## Error Codes

When some malfunctions come on, the appliance will display error codes to warn you:

Codes	Meanings	Possible Causes
E1	Longer inlet time.	Faucets are not opened, or water intake is restricted, or water pressure is too low.
E4	Overflow.	Some element of dishwasher leaks.
E8	Failure of orientation of distributary valve.	Open circuit or break of distributary valve.
E9	Keep touching a button more than 30 seconds.	Water or other item on the button.

### WARNING

If overflow occurs, turn off the main water supply before calling service. If there is water in the base pan because of an overflow or small leak, the water should be removed before restarting the dishwasher.



## INSTALLATION INSTRUCTIONS

**Please read the installation instructions clearly, and pay attention to the following lists:**

1. The power-supply receptacle for the appliance shall be installed in a cabinet or on a wall adjacent to the under-counter space in which the appliance is to be installed.
2. There shall be an opening through the partition between the compartments specified in (a) that is large enough for the attachment plug to pass through. The longest dimension of the opening shall not be more than 38 mm (1.5 in).
3. The edges of the opening specified in (b) shall, if the partition is wood, be smooth and rounded, or, if the partition is metal, be covered with an edge protector provided for this purpose by the manufacturer.
4. Care shall be exercised, when the appliance is installed or removed, to reduce the likelihood of damage to the power-supply cord.

NOTE: A hose that attaches to a sink spray can burst if it is installed on the same water line as the dishwasher. If your sink has one, it is recommended that the hose be disconnected and the hole plugged.

# TERMS & CONDITIONS

Vinotemp International Corp. ("Seller") and the person or entity that acquires these goods from Seller ("Purchaser") hereby fully agree to the following terms and conditions of the sale: **Shipping** fees are the responsibility of the Purchaser whether freight prepaid or freight collect. Seller assumes responsibility for the goods sold to the Purchaser until the goods have reached Purchaser's delivery address (FOB Destination) and the delivery receipt is signed clear. Seller is not responsible for the carrier's late delivery, missed delivery, unpaved roads, remote locations, stairs, elevators, narrow door openings and other such issues in attempting to fit or deliver the goods into the Purchaser's location. Delivery to remote locations may require additional fees. Remote location may be defined at the discretion of the carrier as more or less than 50 miles from the nearest major city. Purchaser assumes all responsibility for additional costs related to freight such as access, measurement, installation, hookup, wiring, moving and storage of the goods, flight of stairs, carrier's inability to safely and/or adequately deliver, inability to use the building elevator to lift the goods, narrow openings, along with any additional costs to deliver or redeliver the product properly. Make sure to review access to the property and size of the product ordered. The transportation of all goods is subject to the terms and conditions which the carrier imposes on Purchaser. Installation is the responsibility of the Purchaser. If white glove delivery was ordered and cannot be performed properly, or access is hindered in any way, Purchaser agrees to accept delivery curbside. If Purchaser will-calls or pays for their own freight responsibility transfers to the Purchaser when the Purchaser or Purchasers freight company picks up the unit from Seller. Freight quoted are either curbside, threshold or white glove. Standard white glove delivery is main floor, easy access and NO STAIRS, Doors, aligned feet attached (if necessary) and removal of packaging, additional fees for additional requests. Each service has a different rate and will require additional fees. We are a manufacturer not a shipping company, deliveries are done by a third party service. Email us at [info@vinotemp.com](mailto:info@vinotemp.com) for a quote or any additional information. There is no white glove service for returns. Freight discussed is Continental USA (excluding Alaska, Puerto Rico, Hawaii), cost is additional please email [info@vinotemp.com](mailto:info@vinotemp.com) for a quote.

California **Proposition 65** Warning: The products sold on this ecommerce website and to the public may contain chemicals and other substances known to the State of California to cause cancer and birth defects and other reproductive harm.

Totes made of vinyl, imitation leather, and/or leather material contain lead and/or other substances that are known to the State of California to cause cancer, birth defects and other reproductive harm.

Galvanized metal and some of its constituents contain lead and/or other substances that are known to the State of California to cause cancer, birth defects and other reproductive harm.

Products made of vinyl contain lead, Diethyl Hexyl Phthalate (DEHP), and/or other substances that are known to the State of California to cause cancer, birth defects and other reproductive harm.

Acrylic may contain Acrylic Acid and/or other substances that are known to the State of California to cause cancer, birth defects, and other reproductive harm.

Appliances may contain tin or lead in either the paint or the controllers, and/or other substances that are known to the State of California to cause cancer, birth defects, and other reproductive harm.

Our barware items may contain plastic, acrylic, enamel, crystal, metal and/or other substances that are known to the State of California to cause cancer, birth defects, and other reproductive harm.

Appliances may contain Tin, Lead or Nickel

**Damage:** All damages must be noted at time of delivery. If a bill is signed that there is no damage, buyer accepts delivery as free and clear. Any claim for damages of the goods, when FOB Destination, that incurred during shipment by the carrier are insured and handled directly with the carrier by the Seller if noted on the receipt and notified within 48 hours of delivery. OPEN AND INSPECT YOUR DELIVERY. When FOB Destination, if the item is damaged by the freight company, and Purchaser cancels rather than accepts a replacement, the order can be cancelled by paying for freight costs both ways and a 35% restocking fee for stocked items. No cancellation or refunds on custom/made or made to order products. When shipped 3rd Party (FOB Warehouse), Purchaser assumes all responsibility for delivery, payment of freight and freight claims for damages during shipment. Manufacture defects will be handled directly with Seller, subject to the limited warranty below.

**Fees:** All sales are final. Unless authorized in writing by the Seller, Purchaser may not return the goods under any circumstance. If Seller agrees in writing to take back stocked goods, there will be a restocking/service fee that is 35% of the purchase price of the goods and freight both ways (product must be new, unused, and in original packaging). If Purchaser returns goods claiming that the goods are defective and goods are found to be in working condition by the Seller, Purchaser is liable for the cost of freight both ways plus and a service fee that is 35% of the purchase price of the goods. Built to Order and Custom products are nonreturnable, nonrefundable. Purchaser must notify Seller of nonconforming goods within 48 hours of receipt, after which time all goods are deemed accepted by the Purchaser. If an order has been placed and production has not started, cancellation of your order will be a 15% charge. If Purchaser tenders payment with a check that has insufficient funds (NSF), a collection fee plus NSF fee of \$50

will be added to the invoice, which Purchaser agrees to pay promptly. If Purchaser puts a stop payment on a check or credit card for any reason, Purchaser agrees to pay for all costs associated with the Seller's collection or litigation of such a claim, including, without limitation, general and special damages, court costs and attorneys' fees. Finance charges begin the date of invoice. Title to the goods reverts back to the Seller in the case of nonpayment of goods or services. All fees and costs to retrieve the product, cost of freight, legal costs, collection fees and court fees, credit card fees and interest rate of 18% (annual rate) will be the responsibility of the Purchaser. In a credit card dispute, Purchaser assumes and must immediately pay any "credit card arbitration" fees and chargeback fees which the credit card companies charge at the time of the chargeback. Cancelled orders using a Credit Card will have an additional fee of 3% deducted from the refund.

Any disputes not resolved within 30 days from the invoice date will be reported to credit reporting agencies.

**LIMITED WARRANTY:** Seller warrants that the goods will be free of defects in materials and workmanship as follows:

Furniture style (wood) wine cabinets made in the U.S.: all cooling unit parts only for a period of 5 (five) years; cabinetry and labor (uninstalled) for a period of 12 (twelve) Months (Model numbers "Vino" and "Custom").

Metal cabinet units (appliances) (compressor) (made in China and Denmark)(Model numbers start with EL, VT, IL, or EP: parts and labor for cooling system and cabinetry for a period of 12 (twelve) months.

Thermoelectric Units: 90 (ninety) days (including Wine and Beverage Coolers, Beer Dispensers, Humidor, Portofino Wood Cellars, and Refrigerators). (Models start with EL, VT, IL or EP). WineMate and Cellar Tec (WM, Wine Mate or CT)(Wine Cooling Units) Split and Ducted Systems and other installed cooling units are parts only for 1 year, no labor. Self Contained WineMate Cooling Systems are 5 years parts, 1year labor. Removal and reinstallation of cooling units is not included.

Wine Accessories, Racking Systems, Parts and Other miscellaneous items is a 30 day warranty.

Il Romanzo units: Warranty 90 (ninety) days. Replacement part 12 (twelve) months from the date of sale.

Non-New Units (Scratch & Dent/Refurbished/Floor Models), warranty for compressor units is 90 days from your dated invoice and 30 days for thermoelectric units (parts for function only, not cosmetic defects). These units are refurbished and sold as is; Purchaser assumes risks to the quality and performance of goods and assumes the costs of all necessary service or repair not covered herein. Extended warranties via New Leaf may not be purchased on Non-New Units. Delivery is curbside. Upgrades in delivery will require an additional fee.

Element Grills (via Element Products LLC), grills have a thirty day limited parts warranty on grill accessories.

If a model is not listed here will have 90 day warranty on parts only if it's a new item.

Parts and Repairs:

Warranty on in-house repairs: 90 days parts and labor for compressor; 30 days parts and labor for Thermoelectric; Customer is required to put down a labor deposit of \$75 for Thermoelectric units; \$150 for compressor based Wine Coolers and \$195 for WineMate units which will be kept if a unit is found to be in good working condition. Customer is responsible for freight costs to us.

Warranty on parts purchased: 30 days; if part fails within 30 days of purchase, customer is to ship us back the part; upon inspection, if defective, VT will send replacement part at no charge.

If a purchaser claims a product is "defective" with regards to refrigeration, Purchaser must obtain a letter from a qualified refrigeration technician at the Purchaser's cost to verify that the unit was installed properly, with proper ventilation and the unit is truly malfunctioning due to a manufacturing defect.

Removal or reinstallation of a unit is not included in warranted costs. Purchaser's exclusive remedy is limited at Seller's option to repair or replace defective part[s] with either new or reconditioned part[s]. Purchaser is responsible for shipping the unit prepaid to a designated facility and Seller will pay return shipping charges in the continental United States for items repaired under warranty within 12 (twelve) months from date of sale. The returned unit must be packaged correctly, with enough protection to ensure the unit is not further damaged. Oversized or lack of packaging is not permitted and will be refused. Replacement or exchanged units will be returned to Purchaser through curbside delivery only. Any redelivery fees are the Purchaser's responsibility. Since the natural variation in texture, density, grain, color, tone, and shade of wood is unavoidable; Seller does not guarantee the texture, color, tone, or shade of the wood; nor does seller guarantee the colorfastness of wood or against peeling, chipping, cracking, or scratching. Note: Unfinished wood is subject to warping; all wood surfaces must be sealed before placing cellar into service. Make sure doors are aligned by reviewing the owner's manual. Improper repair or placement of the unit will void the warranty. Any third party repair facility must be preapproved in writing by Seller, before providing replacement parts under warranty. Change Orders: Custom units already in production that require a change will be subject to a change order fee.

**Storage Fees:** When having an item serviced by a Vinotemp service technician at the Vinotemp facility, Purchaser agrees to pick up their repaired item or make arrangements for return shipping within a 60day period once they have been notified by Vinotemp through phone call, email, or letter that their unit is ready for pick up. If the item remains in the Vinotemp warehouse after 60 days but no longer than 120 days, the Purchaser will incur additional storage fees of 2%. After 120 days in storage, the item will become property of Vinotemp. Warranty period is from the date of sale (not from shipping, delivery, nor installation). All completed cabinetry, racking, or other custom work must be picked up or shipped within a period of 14 days after Vinotemp has notified the Purchaser by phone call, email, or letter. Any completed cabinetry, racking, or other custom work stored longer than 14 days will incur an additional storage fee. After 120 days, the product will become property of Vinotemp.

This Limited Warranty does not cover damage due to such things as accident, misuse, abuse, mishandling, neglect, acts of God, fires, earthquakes, floods, high winds, government, war, riot or labor trouble, strikes, lockouts, delay of carrier, unauthorized repair, or any other cause beyond the control of the Seller, whether similar or dissimilar to the foregoing. Seller is not responsible for any damages caused to Purchaser's property resulting from the goods. This limited warranty applies only inside the Continental US (Alaska, Puerto Rico, Hawaii and other territories/countries are not warranted). Purchaser understands and acknowledges that the goods sold here are wine cellars, cigar humidors, and/or other similar units which house wine or cigars or other items. Purchaser assumes all risk of using these units, including risk of spoilage, humidity variations, temperature variations, leaks, fire, water damage, mold, mildew, dryness and similar and any other perils that might occur. Seller is not responsible for incidental or consequential damages, and there are no warranties, expressed or implied, which extend beyond the Limited Warranty described above. Warranty and liability are nontransferable. The implied warranties of merchantability and of fitness for a particular purpose are hereby expressly disclaimed. Some states do not allow the exclusion of incidental or consequential damages, or a waiver of the implied warranties of fitness and/or merchantability, so the above limitations may not apply to you. This warranty gives you specific legal rights and you may also have other rights which vary from state to state. Seller disclaims any indemnification for claims of infringement of any intellectual property of protectable nature. In the event of any dispute between Seller and Purchaser arising out of or relating to these terms and conditions or to the goods sold generally, Purchaser must first file a written claim with Seller within ten days of the occurrence giving rise to the claim and wait an additional thirty days for a response before initiating any legal action. The sale and all terms are subject to California law. Any legal proceeding arising out of or relating to these terms and conditions or to the goods sold Purchaser shall bring, solely and exclusively in the County of Los Angeles. In no event may Purchaser initiate any legal proceeding more than six months after the occurrence of the event giving rise to the dispute. Seller may make nonpayment claims until debt is paid in full. Any dispute or claim relating in any way to these to the Terms and Conditions, the Website, or any products or services sold or distributed by or through this Website, store, or catalog will be resolved by binding arbitration, rather than in court, except that you may assert claims in small claims court if your claims qualify. The Federal Arbitration Act and federal arbitration law apply to the Terms and Conditions. We each agree that any dispute resolution proceedings will be conducted only on an individual basis and not in a class, consolidated or representative action. If for any reason a claim proceeds in court rather than in arbitration we each waive any right to a jury trial. Both parties agree to bring suit in court to enjoin infringement or other misuse of intellectual property rights.

The above terms and conditions are the only ones governing this transaction and Seller makes no oral representations of any kind. These Terms and Conditions can only be modified in writing, signed by both Purchaser and Seller.

11/17



## SERVICE & IMPORTANT NOTICE

Upon receipt and inspection of unit, the supply cord must be replaced if it is damaged. Contact our customer service at 1-800-777-8466 or [info@vinotemp.com](mailto:info@vinotemp.com).

The manufacturer has a policy of continuous improvement on its products and reserves the right to change materials and specifications without notice.

**WARNING:**

**Please do not place the unit within reach of children.  
For adult use only**

Contact [info@vinotemp.com](mailto:info@vinotemp.com) with any questions or visit

**[www.vinotemp.com](http://www.vinotemp.com)**



Add a New Leaf extended warranty to your order, and have the security of knowing that if there should be a problem, even years in the future, New Leaf will be there to assist! Usable for any Wine Cellar or other electronic device manufactured by Vinotemp. Add this warranty to purchases made from [vinotemp.com](http://vinotemp.com) or other qualified vendors. Warranty must be registered within the first 10 days from original purchase.

Visit [www.Vinotemp.com](http://www.Vinotemp.com) to purchase.



17621 S. Susana Road  
Rancho Dominguez, CA 90221  
[www.vinotemp.com](http://www.vinotemp.com)

Vinotemp is a registered trademark of Vinotemp International. All products, features, and services are subject to change without notice. We cannot guarantee the accuracy of the contents of this document. We disclaim liability for errors, omissions, or future changes.

© 2018 Vinotemp International. All rights reserved.