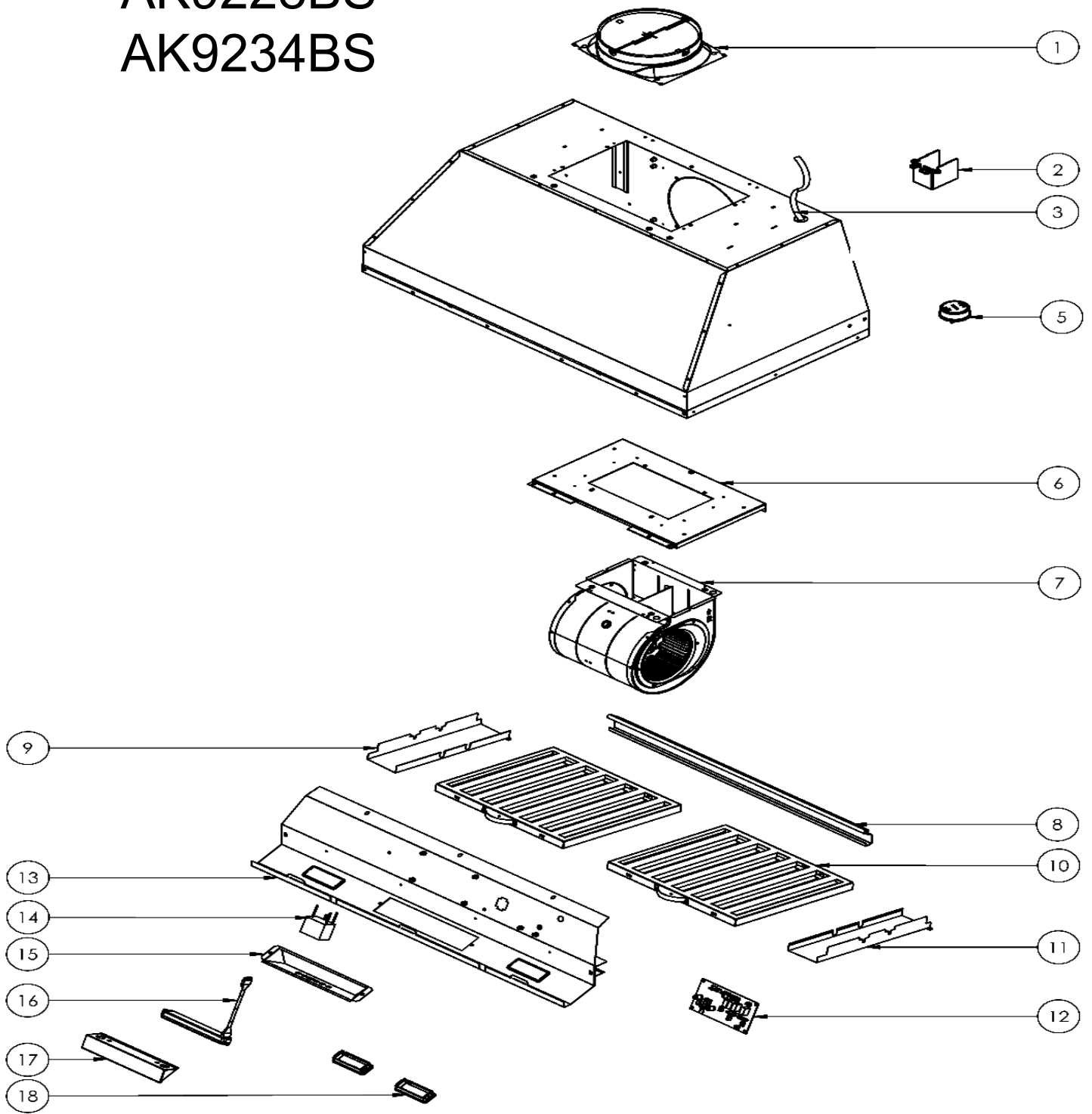


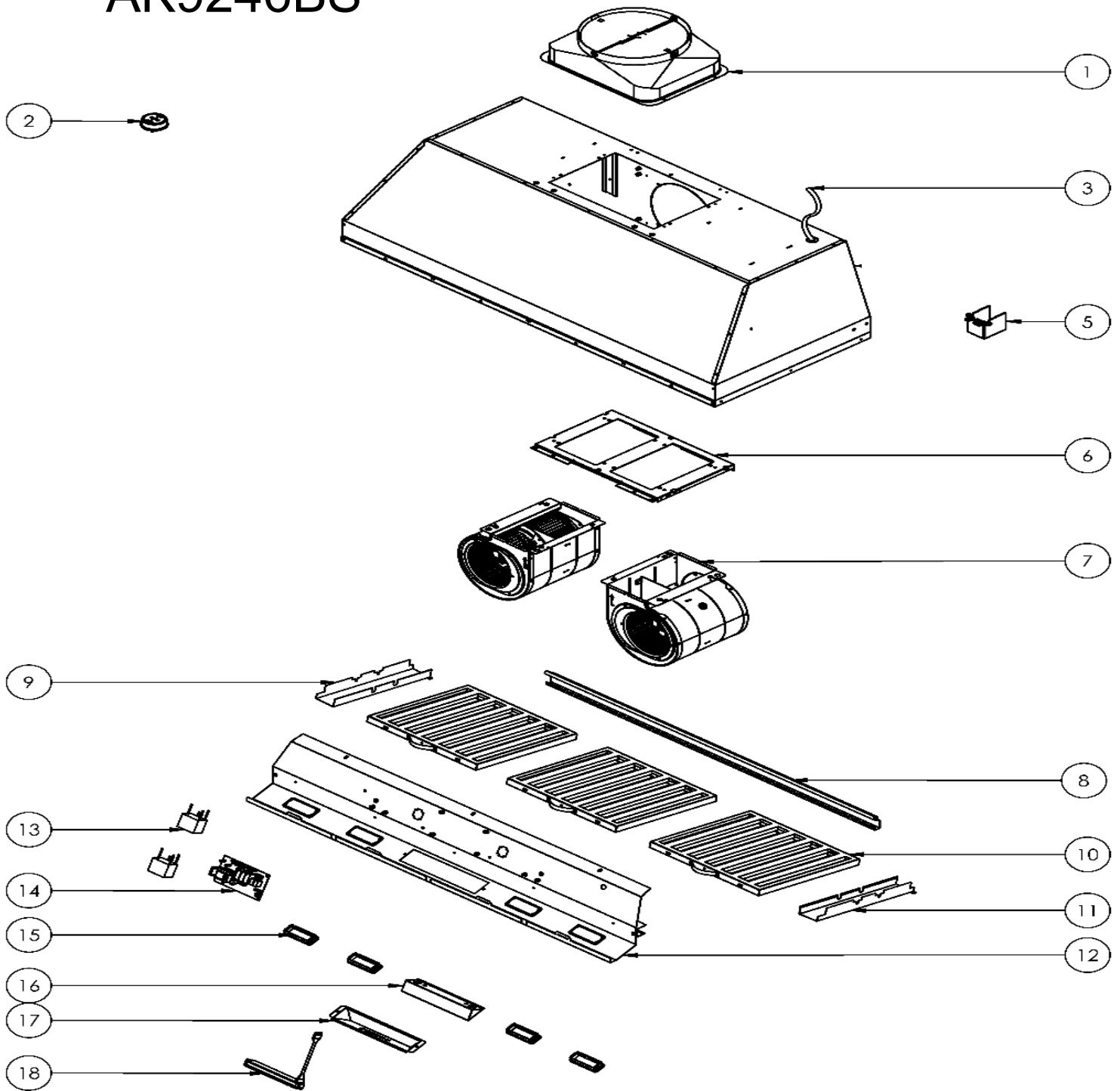
# AK9228BS AK9234BS



**AK9228BS, AK9234BS**

<b>Ref #</b>	<b>Part #</b>	<b>Description</b>	<b>Qty.</b>
1	54050080	8 Inch Round Collar w/Damper	1
2	54200011	Electrical Junction Box	1
3	11030141	Electrical Power Cord	1
5	14000005	Wireless RF Remote Control	1
6	54190047	Single Internal Blower Plate	1
7	12120070	Blower	1
8	56130044	Residue Tray	1
9	50120184	Left Side Panel (AK9234BS)	1
10	50210039	Pro Baffle Filer	2
11	50120185	Right Side Panel (AK9234BS)	1
12	11010121	Control Board	1
13	50110299	Light Panel (AK9228BS)	1
13	50110300	Light Panel (AK9234BS)	1
14	12050028	Capacitor	1
15	52170055	Switch Cover Plate	1
16	11000145	Switch Assembly	1
17	54140301	Switch Holding Bracket	1
18	Z0B0047	LumiLight LED, 6W, DC	2
19	05000090	Hardware Packet	1

# AK9240BS AK9246BS



**AK9240BS, AK9246BS**

<b>Ref #</b>	<b>Part #</b>	<b>Description</b>	<b>Qty.</b>
1	54050081	10 Inch Round Collar w/Damper	1
2	14000005	Wireless RF Remote Control	1
3	11030020	Electrical Power Cord	1
5	54200011	Electrical Junction Box	1
6	54190038	Dual Internal Blower Plate	1
7	12120070	Blower	2
8	56130044	Residue Tray (AK9240BS)	1
8	56130045	Residue Tray (AK9246BS)	1
9	50120186	Left Side Panel (AK9240BS)	1
9	50120188	Left Side Panel (AK9246BS)	1
10	50210039	Pro Baffle Filer (AK9240BS x 2)	3
11	50120187	Right Side Panel (AK9240BS)	1
11	50120189	Right Side Panel (AK9246BS)	1
12	50110301	Light Panel (AK9240BS)	1
12	50110302	Light Panel (AK9246BS)	1
13	12050028	Capacitor	2
14	11010122	Control Board	1
15	Z0B0047	LumiLight LED, 6W, DC (AK9240BS x 2)	4
16	54140301	Switch Holding Bracket	1
17	52170055	Switch Cover Plate	1
18	11000145	Switch Assembly	1
19	05000152	Hardware Packet	1