

DESIGNER

APEX

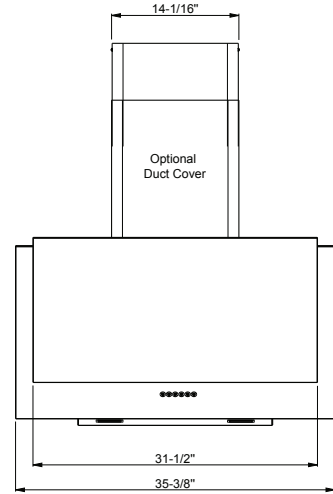
WALL

ZEPHYR

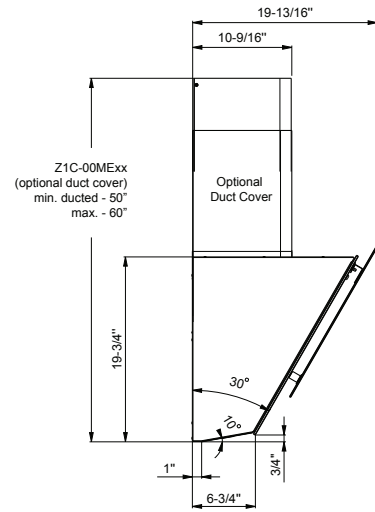
ZEPHYRONLINE.COM



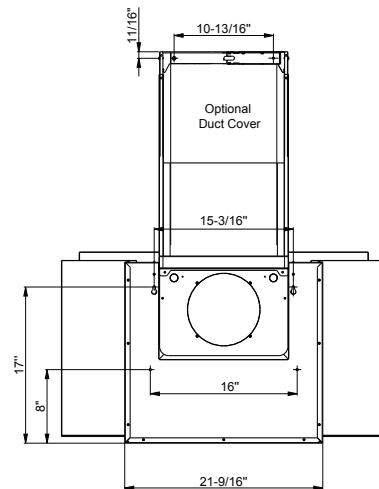
Shown with optional duct cover



FRONT



SIDE



BACK

MODEL

| | |
|-------------|----------------|
| Matte Black | DAP-M90AMBX |
| Matte White | DAP-M90AMWX |
| Size | 90cm (35-3/8") |

BLOWER PERFORMANCE

| | |
|-----------------------------|--------------------------|
| Internal Blower (CBI-290C)* | 200-290 CFM, 1.4-3 sones |
| Internal Blower (CBI-390A)* | 200-390 CFM, 1.4-5 sones |
| Internal Blower (CBI-600A)* | 240-600 CFM, 1.8-6 sones |
| In-Line Blower (PBN-1000A)* | 500-1,000 CFM, sones NA |
| External Blower (CBE-1000)* | 500-1,000 CFM, sones NA |

FEATURES

| | |
|-----------------------------|-------------------------|
| Controls | Capacitive Touch |
| Speed Levels | 3 |
| Auto Delay-Off | Yes |
| CleanAir Function** | Yes |
| Lighting | LED, 5W x2 |
| Tri-Level Lighting | Yes |
| Filters | Aluminum Mesh x2 |
| Perimeter Aspiration System | Yes |
| Recirculating*** | Yes |
| ADA Compliant | Yes, with remote option |

DUCT SPECIFICATIONS

| | |
|------------------------------------|---------------------|
| Vertical Single Internal Blower | 6" Round |
| Vertical In-Line/External Blower | 10" to 8" Round**** |
| Horizontal Single Internal Blower | 6" Round |
| Horizontal In-Line/External Blower | 10" to 8" Round**** |

AC POWER

| | |
|-------------------|-----------------------|
| Hood w/ CBI-290C | 120V, 60Hz, Max. 1A |
| Hood w/ CBI-390A | 120V, 60Hz, Max. 2.1A |
| Hood w/ CBI-600A | 120V, 60Hz, Max. 3A |
| Hood w/ PBN-1000A | 120V, 60Hz, Max. 5.4A |
| Hood w/ CBE-1000 | 120V, 60Hz, Max. 6.6A |

OPTIONAL ACCESSORIES

| | |
|------------------------------|--|
| Recirculating Kit | ZRC-00AP |
| Remote Control | 14000010 |
| Duct Cover - Matte Black | Z1C-00MEMB |
| Duct Cover - Stainless Steel | Z1C-00MESS |
| Make-Up Air Kit | MUA006A (600 CFM) MUA008A (1,000 CFM) |

| | |
|------------------------|-----------|
| MOUNTING HEIGHT RANGE† | 22" - 34" |
|------------------------|-----------|

| | |
|----------|----------------------------|
| WARRANTY | 2 year parts, 1 year labor |
|----------|----------------------------|

HOOD HEIGHT CALCULATOR - With Optional Duct Cover

| CEILING HEIGHT | 8' | 8.5' | 9' | 9.5' | 10' | 10.5' | 11' | 12' |
|------------------|----|------|-----------|-----------|-----------|-----------|-----|-----|
| MOUNTING HEIGHT† | NA | NA | 22" - 22" | 22" - 28" | 24" - 34" | 30" - 34" | NA | NA |

*Blower sold separately.

**CleanAir turns your hood on once every four hours for 10 minutes on speed one.

***Not compatible with optional duct cover.

****10" round duct connects to external and in-line blower. Must transition from 10" to 8" before duct passes through ceiling. A 10" to 8" adapter is included with external and in-line blowers.

†Mounting height refers to distance between top of a 36" tall cooking surface and bottom of hood.

DID YOU KNOW?

The Perimeter Aspiration System moves airflow away from the central area of the hood and evenly distributes it through narrow openings around the perimeter of the hood. This ventilation method increases air velocity and improves the capture of cooking contaminants.

Specifications subject to change, check zephyronline.com for up-to-date information.
Zephyr Ventilation | 2277 Harbor Bay Parkway, Alameda, CA 94502 | 888.880.VENT