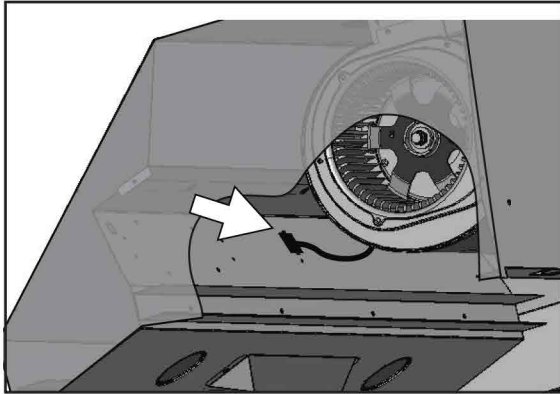
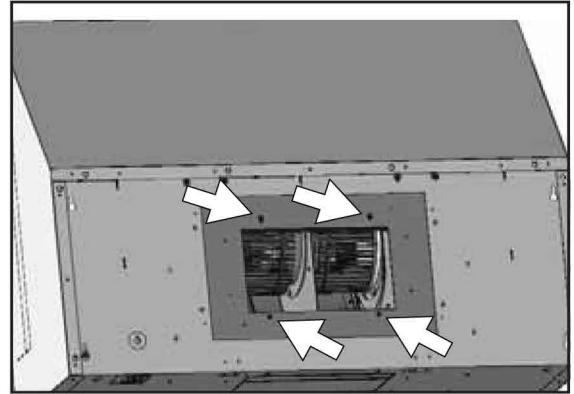


This range hood is equipped standard with a single blower vertical duct option. To convert from single blower vertical ducting to dual blower vertical ducting please following the instructions below.

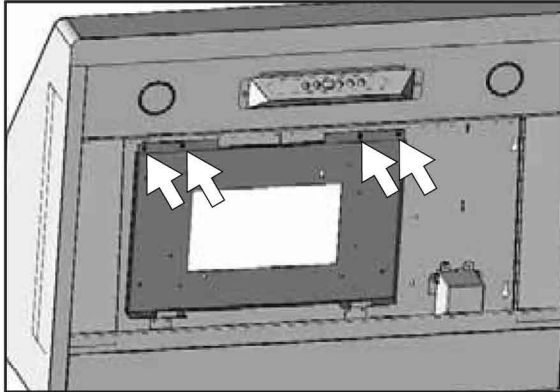
PBD-1200A dual blower kit compatible only with AK7036BS and AK7042BS models.



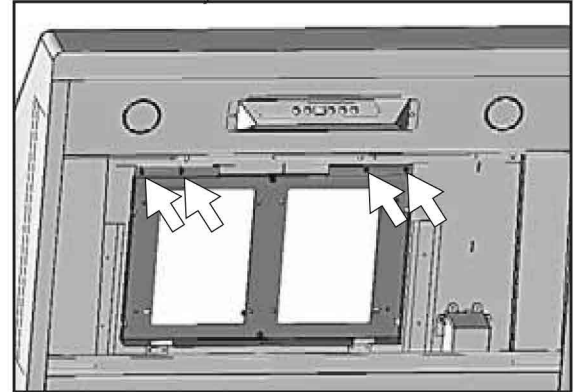
1. Disconnect blower plug.



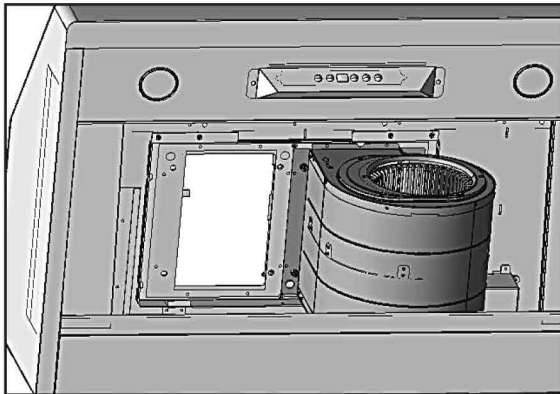
2. Remove (4) screws at top of hood body attaching blower to single blower plate. Remove blower from hood body.



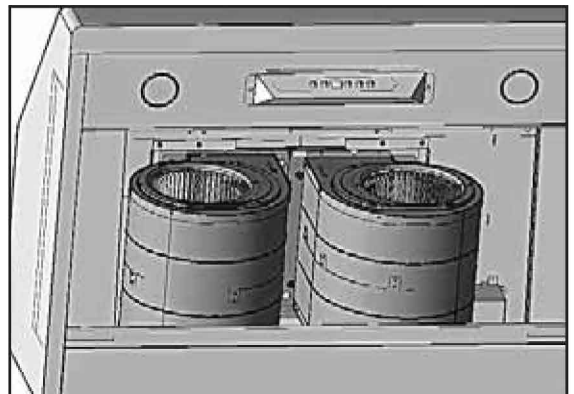
3. Remove (4) screws from inside hood body attaching single blower plate. Remove single blower plate from hood body.



4. Install dual blower plate from PBD-1200A kit into hood body. Attach by (4) screws previously removed from step 3.



5. Install previously removed blower onto one side of dual blower plate and attach by (4) previously removed screws from step 2.



6. Install blower from PBD-1200A kit onto other side of dual blower plate by (4) 3/16 x 3/8 screws.