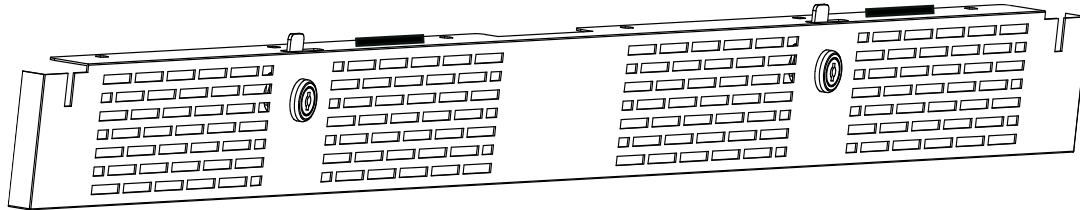


## DUAL KICKPLATE INSTALLATION INSTRUCTIONS



### INSTALLATION ACCESSORIES

- Top Front Cross Bracket



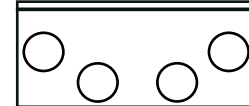
- M4 Screw (x2)

- Bottom Rear Cross Bracket



- Self-tapping Style Screw (x4)

- Bottom Front Cross Bracket



- M5 Screw (x4)



### TOOLS REQUIRED

- Phillips Screwdriver
- Two People

### TOOLS RECOMMENDED

- Soft blanket or cardboard
- A Level

## 1.0 INSTALL NEW KICKPLATE

### 1.1 PREPARE THE UNITS FOR REMOVAL OF OLD KICKPLATES AND INSTALLATION OF NEW KICKPLATE

- 1.1.1 Make sure the units are unplugged.

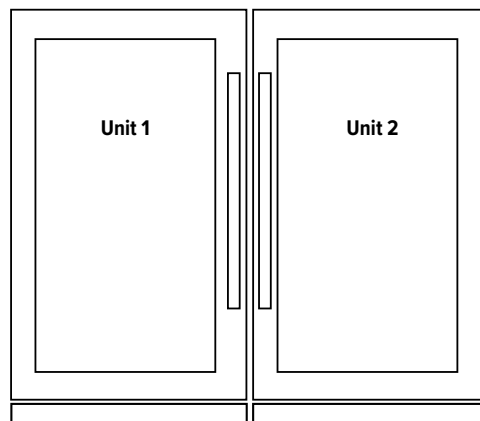


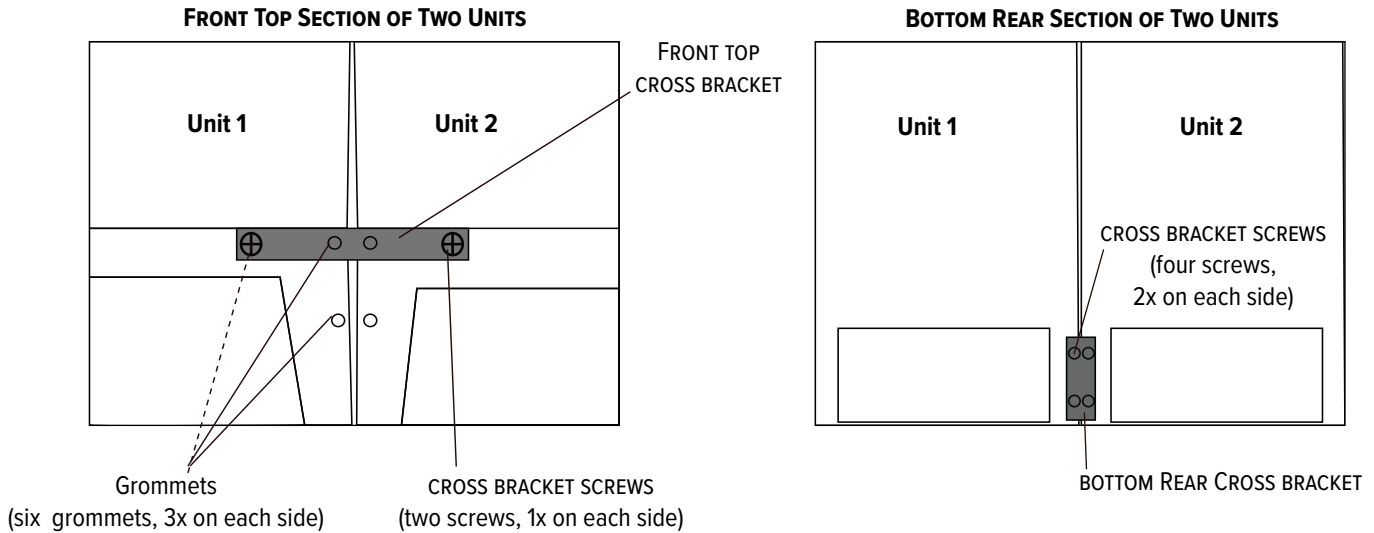
#### IMPORTANT

Warning: DO NOT plug the units back in until all work is complete. The units must be given one hour of upright, unplugged time for every 15 minutes spent laying on their backs.

- 1.1.2 Place the units side by side.

- 1.1.3 Adjust the leveling legs until the two refrigerators are identical in height.





1.1.4 Remove the decorative grommets located on the front top section of the unit (6 screws total, 3x on each side), with a fine, flat instrument such as a flathead screwdriver or razor blade.

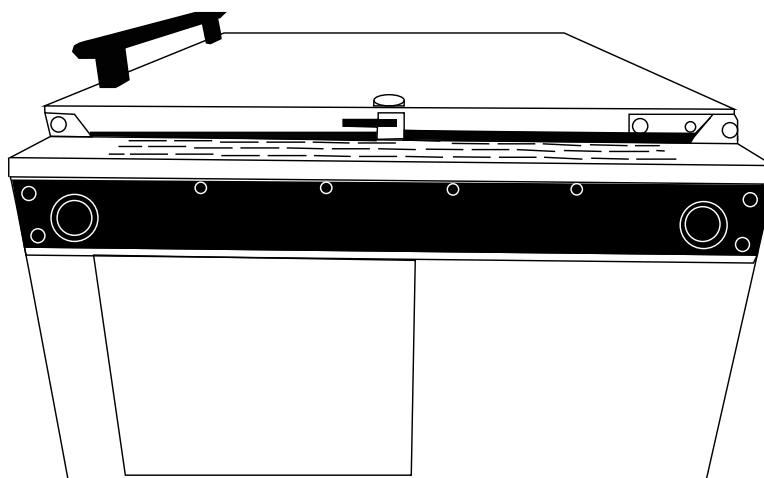
1.1.5 Install the front top cross bracket (two screws, 1x on each side) and the bottom rear cross bracket (four screws, 2x on each side) to keep the refrigerators stable in the process of installation.

1.1.6 With two people, carefully lay the two connected refrigerators on their backs, protecting them with a soft material such as a towel or cardboard. This will expose the bottoms of the units. (Single unit shown).



**IMPORTANT**

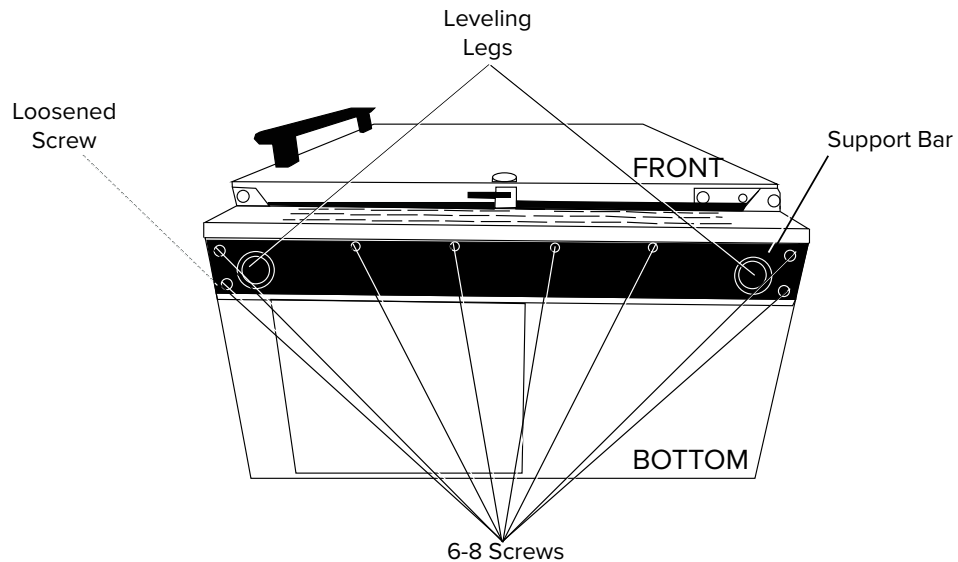
Caution: If the units have been in use prior to this installation, then there may be water run-off when the units are laid down. Be sure to lay a towel down first to absorb any water.



## 1.2 REMOVE THE OLD KICKPLATES (SINGLE UNIT SHOWN)

1.2.1 Unscrew the leveling legs and remove them.

1.2.2 Remove the six to eight screws on the support bar, leaving one loosened screw on the end of the support bar.

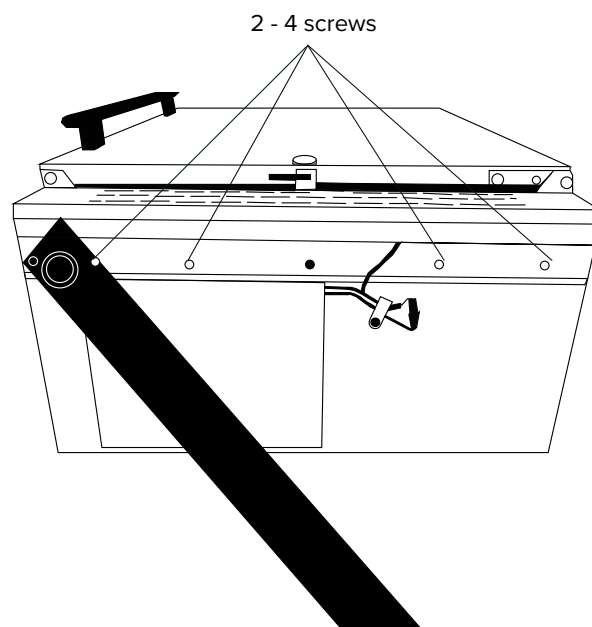


1.2.3 Swing the support bar down and out of the way.

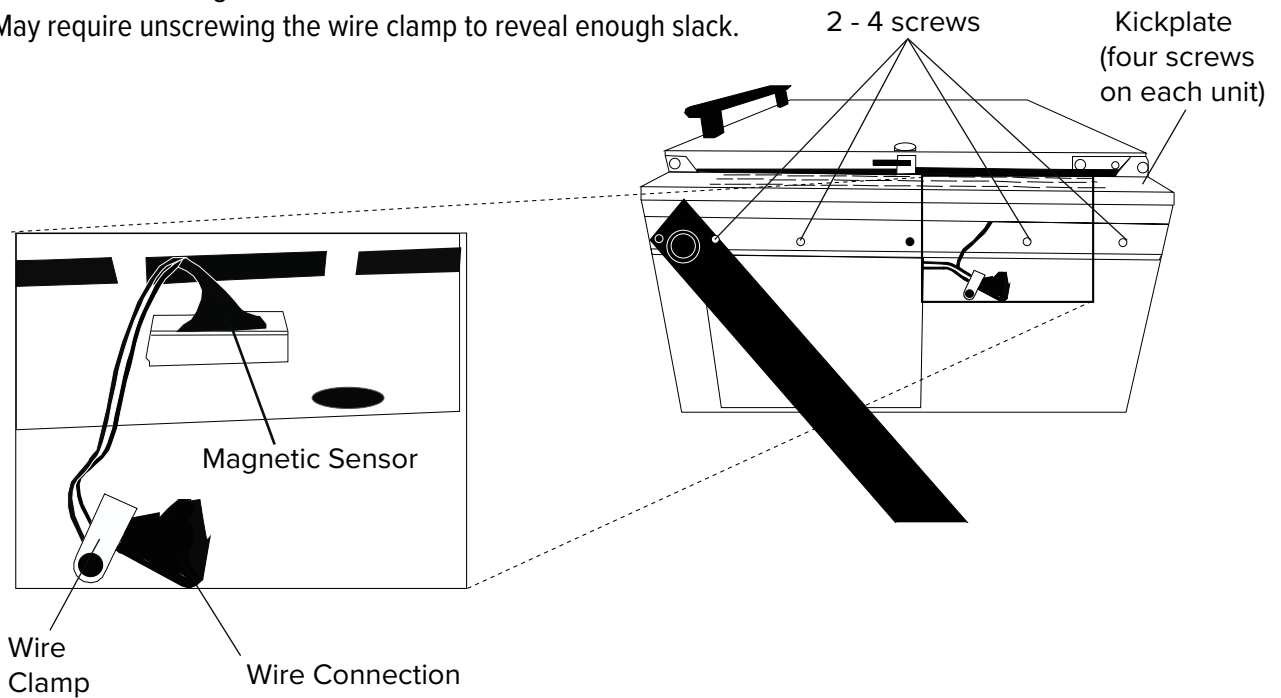
Once the support bar is moved, the screws holding the kickplate can be accessed.

1.2.4 Loosen the four screws for 24" models or the two screws for 15" models.

Do not remove the kickplate yet.



- 1.2.5 Disconnect the magnetic sensor wire connection.  
 May require unscrewing the wire clamp to reveal enough slack.

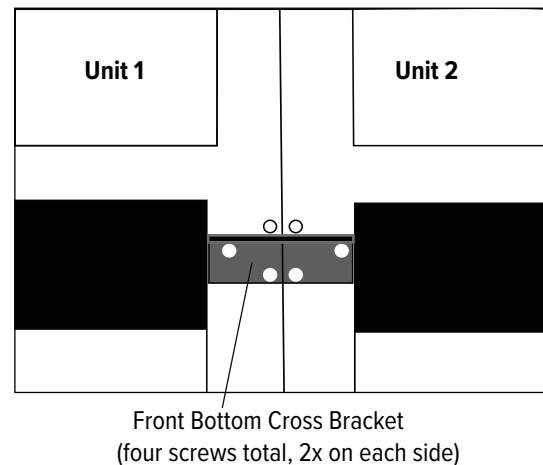
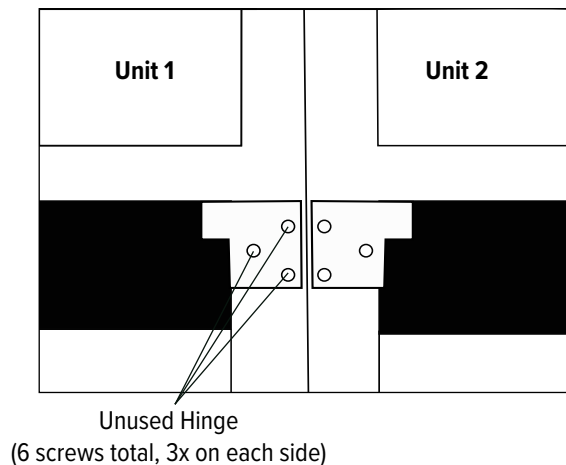


- 1.2.6 Remove the kickplate.

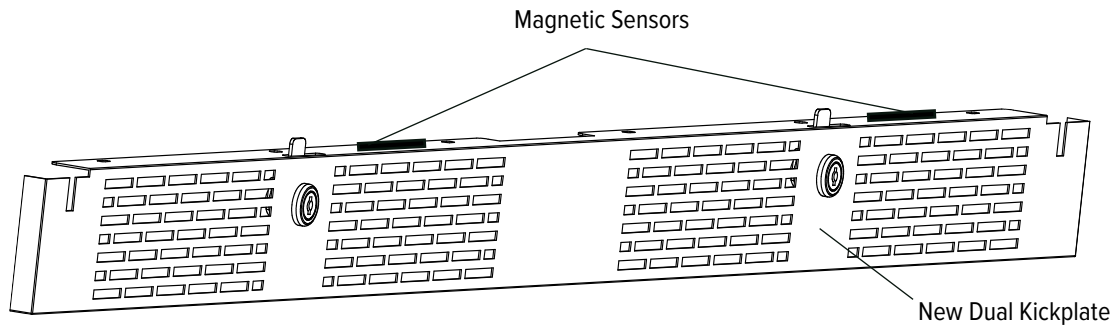
### 1.3 INSTALL THE NEW KICKPLATE

- 1.3.1 Remove the unused hinges located on the front bottom section of the units. (6 screws total, 3x on each side).  
 1.3.2 Install the front bottom cross bracket in place of the unused hinges (four screws total, 2x on each side).  
 Use the middle and bottom screw holes on each side.

#### FRONT BOTTOM SECTION OF TWO UNITS



1.3.3 Place the new kickplate on the unit and loosely screw in the eight screws (four on each side).



1.3.4 Plug the magnetic sensors into their respective wire connectors on the new kickplate.

1.3.5 Finish screwing the new kickplate onto the units.

1.3.6 Reattach the two support bars on the bottom of the units.

1.3.7 Reattach the leveling legs.

1.3.8 With two people, stand the connected units up.

1.3.9 Let the units stand upright and unplugged one hour for every 15 minutes spent unplugged, before plugging the units back in.

