



9,000 BTU/H CEILING CASSETTE HEAT PUMP SYSTEM

SUBMITTAL COVER SHEET

PROJECT NAME _____

LOCATION _____

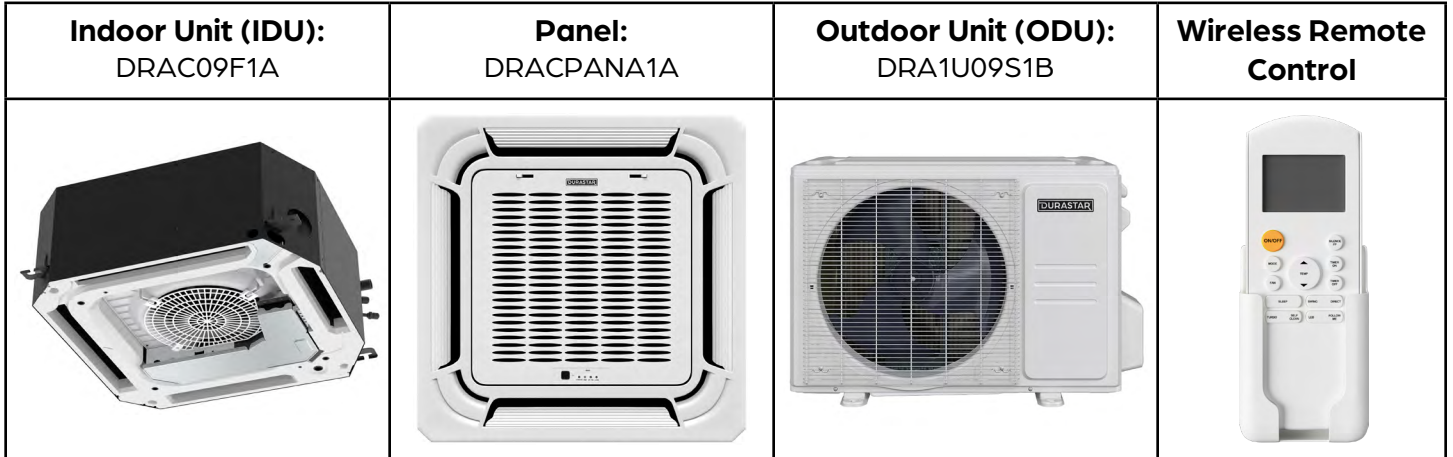
ARCHITECT _____

ENGINEER _____

CONTRACTOR _____

REFERENCE _____

SUBMITTED BY _____ DATE _____



PRODUCT FEATURES

- Wireless Remote Control with "Follow Me" Technology
- Variable Speed Inverter Compressor
- Auto Restart
- Sleep Mode
- Turbo Mode
- 24-Hour Timer Feature
- Quiet operation
- 46°F Freeze Protection
- Low ambient heating down to -13 °F
- Low ambient cooling down to 5 °F
- Included base pan heater
- Refrigerant leak detection
- Anti-corrosive fin coating

CAPACITIES		
Cooling Capacity (BTU/hr)	Rated at 95 °F	9000
	Minimum	2970
	Maximum	10500
Heating Capacity (BTU/hr)	Rated at 47 °F	10000
	Maximum at 5 °F	8500
	Minimum	2230
	Maximum	11650

SYSTEM DATA	
Refrigerant Type	R-410A
Refrigerant Charge (oz.)	38.1
Design Pressure (PSIG)	550/340
Indoor/ Outdoor Coil Coating	Golden Fin Coating

EFFICIENCY DATA	
SEER2	20.00
EER2	13.00
HSPF2	10.00
SEER	20.00
EER	13.00
HSPF	10.50
COP at 47 °F	3.08
COP at 5 °F	2.04





9,000 BTU/H CEILING CASSETTE HEAT PUMP SYSTEM

SPECIFICATIONS

LINE SET REQUIREMENTS	
Connection Type	Flare
Liquid	Ø1/4" (Ø6.35mm)
Gas	Ø3/8" (Ø9.52mm)
Pre-Charge Length	25'
Minimum Length	10'
Maximum Length	82'
Maximum Height Differential	32.8'
Additional Refrigerant (oz./ft)	0.16

OUTDOOR UNIT		
Unit Dimensions	Width	30 1/8"
	Depth	11 15/16"
	Height	21 7/8"
Carton Dimensions	Width	34 15/16"
	Depth	13 1/4"
	Height	24"
Net Weight	63.7 lbs.	
Gross Weight	69.0 lbs.	
Cooling Operating Temperature	5 °F - 122 °F	
Heating Operating Temperature	-13 °F - 75 °F	
Voltage/Phase/Frequency	208-230V, 1 Phase, 60 Hz	
Voltage Range	187-253V	
Recommended Breaker (Amps)	15	
Minimum Circuit Ampacity (Amps)	13	
Communication Wire Size	14*4 AWG Stranded	
Rated Current - Cooling (Amps) ¹	3.17	
Rated Current - Heating (Amps) ²	4.16	
Sound Pressure (dB(A))	53.0	

COMPRESSOR	
Type	DC Rotary Inverter
Oil Type	Ester Oil VG74
Oil Charge (oz.)	10.5 (310 ml)

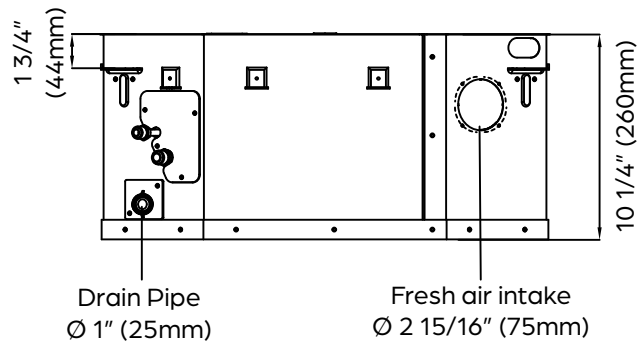
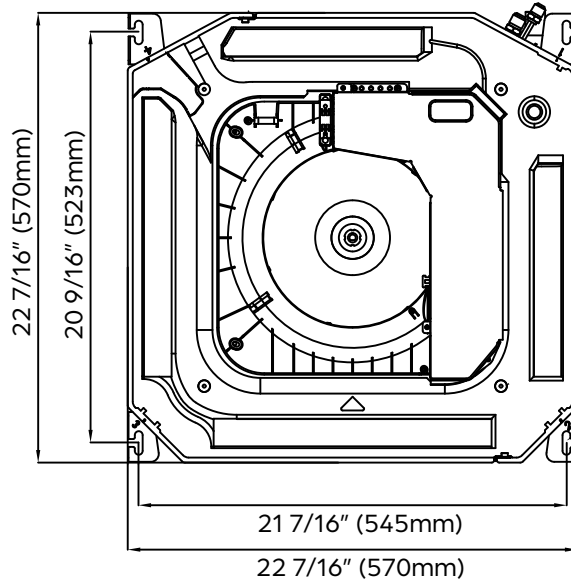
INDOOR UNIT		
Unit Dimensions	Width	22 7/16"
	Depth	22 7/16"
	Height	10 1/4"
Carton Dimensions	Width	26 1/2"
	Depth	26 1/2"
	Height	13 1/4"
Net Weight	32 lbs.	
Gross Weight	38 lbs.	
Indoor Unit Air Flow (CFM)	Low	271
	Medium	306
	High	353
Drain Port O.D.	Ø1" (25mm)	
Drain Pump Lift	29 1/2"	
Recommended Breaker (Amps)	15	
Sound Pressure (dB(A))	Low	31.5
	Medium	34.5
	High	37.5

¹ Measured at 95 °F.
² Measured at 47 °F.

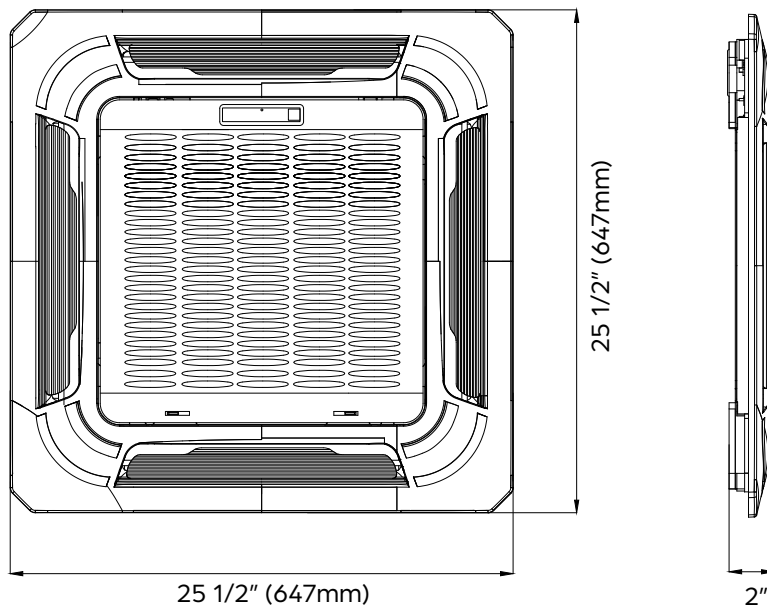


9,000 BTU/H CEILING CASSETTE HEAT PUMP SYSTEM

IDU DIMENSIONS - DRAC09F1A



DRACPANA1A:

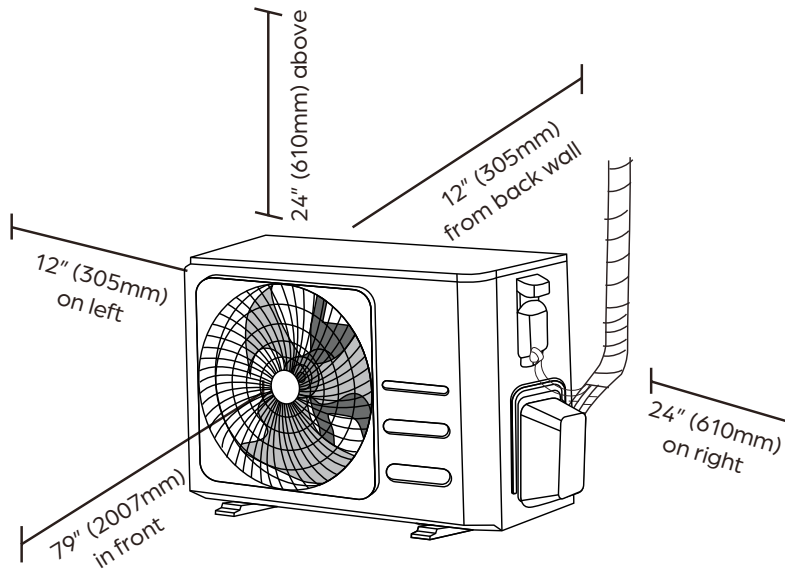




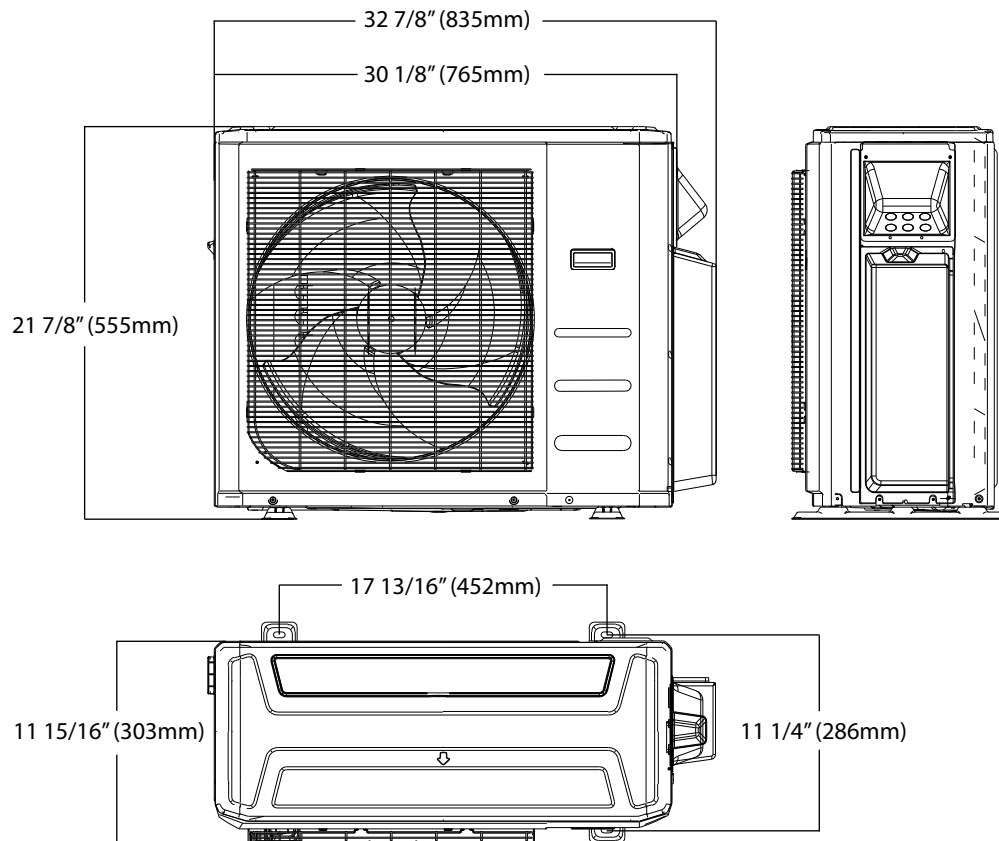
9,000 BTU/H CEILING CASSETTE HEAT PUMP SYSTEM

ODU DIMENSIONS - DRA1U09S1B

Clearances



Dimensions



NOTE

Illustrations in this document are for explanatory purposes. The actual shape of your mini-split equipment may vary slightly.