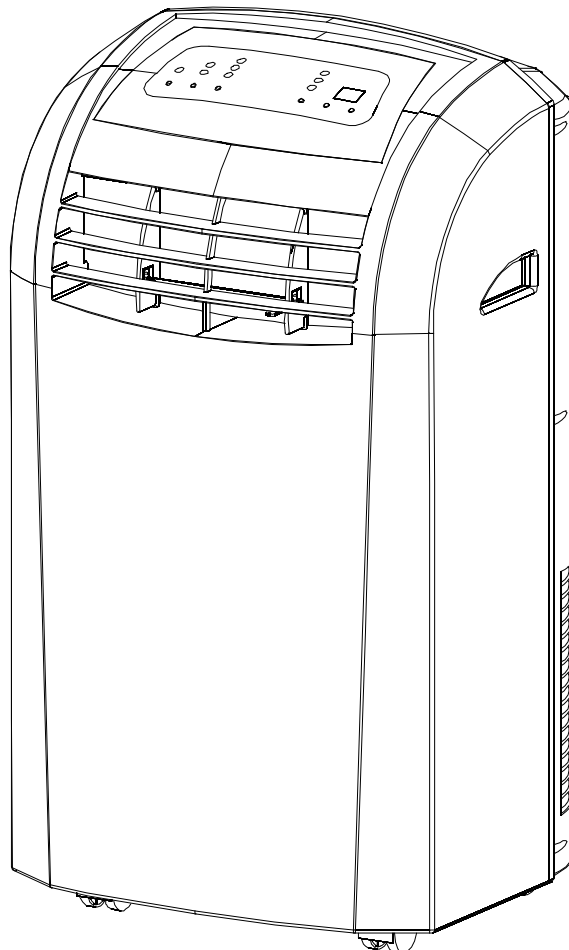


# EDGESTAR<sup>®</sup>

## Portable Air Conditioner



# AP1200HS

## Owner's Manual

For more information on other great EdgeStar products on the web, go to <https://www.edgestar.com>  
To use the EdgeStar self-diagnostic tool, go to <https://support.edgestar.com>

# Important Safety Information

Improper handling can cause serious damage to the appliance and / or to the user.

This portable air conditioner is not intended for use by children. Children should be supervised to ensure that they do not play with this product.



## Electrical Safety

- This unit is designed for indoor use only.
- Do not use the unit in extremely humid or wet environments.
- Do not wet the housing or control panel.
- Do not pull the unit by the cord.
- Always turn the unit off and unplug it from the socket when cleaning.
- Unplug the unit if it is not going to be used for a long period of time.
- Do not operate the unit with a damaged plug or loose socket.
- Use only the correct power supply with appropriate amperage.
- If the power cord is damaged, it must be replaced by the manufacturer, a service agent, or a qualified technician.
- Do not remove any part of the casing unless instructed to do so by an authorized technician.



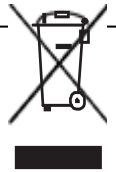
## General Safety

- This portable air conditioner is not intended to be used by children.
- Do not allow children to play with the controls or drop any objects into the air outlets or vents.
- Do not place objects or let any person sit on top of the unit.
- Only use in the upright position on a flat, level surface and provide at least 20 inches of clearance from any walls or objects.
- Route the power cord carefully to avoid a tripping hazard.
- This unit is intended for domestic use only. Do not use the portable air conditioner for industrial or commercial use. Any other use may invalidate the warranty.

# Operation of Safety Plug



Note: Electrical products should not be disposed of with household waste. Please contact your local recycling center for more information about how to recycle electronic waste.



Your portable air conditioner is supplied with a Leakage-Current Detection and Interruption (LCDI) safety plug. This device provides protection to reduce the risk of fire due to arcing faults in the power supply cord. Before using your portable air conditioner, follow the instructions below to ensure that the LCDI plug is working properly:

1. Plug the power cord into a grounded outlet.
2. Press the TEST button on the LCDI plug. This should trip the plug and cut the power to the air conditioner. If the plug does not trip and you are able to turn on the unit, please contact EdgeStar support.



**DO NOT USE YOUR PORTABLE AIR CONDITIONER IF THE TEST FAILS.**

Press the RESET button to start using your air conditioner.

DO NOT use the TEST and RESET buttons as an ON / OFF switch.

# Table of Contents

<b>IMPORTANT SAFETY INFORMATION</b> .....	<b>I</b>
<b>OPERATION OF SAFETY PLUG</b> .....	<b>II</b>
<b>TABLE OF CONTENTS</b> .....	<b>III</b>
<b>INTRODUCTION</b> .....	<b>1</b>
<b>PARTS IDENTIFICATION</b> .....	<b>2</b>
Side View .....	2
Back View .....	2
<b>INSTALLING THE CARBON FILTER</b> .....	<b>3</b>
<b>WINDOW KIT INSTALLATION INSTRUCTIONS</b> .....	<b>4</b>
Preparations for Installing the Window Kit .....	4
Installing the Grated Adapter .....	5
Installing the Window Plates .....	6
Attaching the Duct Connectors to the Exhaust Hose .....	7
Connecting the Duct Connector to the Unit .....	7
Connecting the Duct Connector to the Grated Adapter .....	8
<b>CONTROL PANEL OVERVIEW</b> .....	<b>8</b>
Using the Control Panel .....	9
Auto-Restart:.....	9
<b>USING THE REMOTE CONTROL</b> .....	<b>12</b>
Installing the Batteries .....	13
<b>ENERGY SAVING GUIDE</b> .....	<b>13</b>
<b>MAINTENANCE</b> .....	<b>14</b>
Cleaning the Unit .....	14
Cleaning the Pre-filter .....	14
Preparation for Storage .....	14
<b>TROUBLESHOOTING</b> .....	<b>15</b>
<b>SPECIFICATIONS</b> .....	<b>17</b>
<b>NEW PORTABLE AIR CONDITIONER BTU'S</b> .....	<b>18</b>
What is SACC?.....	18
<b>EDGE STAR LIMITED WARRANTY</b> .....	<b>19</b>

# Introduction

Thank you for purchasing this EdgeStar portable air conditioner. We hope that this purchase will be the beginning of a lasting and rewarding relationship between you and EdgeStar. We will provide the customer support and exemplary products necessary to nurture that relationship.

This manual contains important information regarding the proper installation, use, and maintenance of your portable air conditioner. Following this manual will ensure that your product will work at its peak performance, efficiency, and safety.

Please save the original product packaging in case you need to safely transport your portable air conditioner.

## For Your Records:

Please write down the model number and serial number below for future reference. Both numbers are located on the ratings label on the back of your unit and are needed to obtain warranty service. You may also want to staple your receipt to this manual as it is the proof of your purchase, and is also needed for service under your warranty.

Model Number: \_\_\_\_\_

Serial Number: \_\_\_\_\_

Date of Purchase: \_\_\_\_\_

For a more efficient experience, please do the following before contacting customer service:

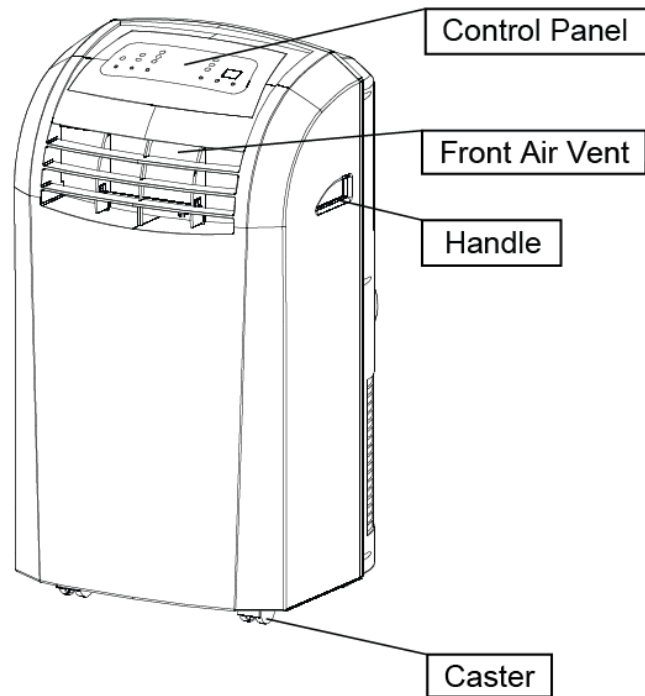
- If you received a damaged product, immediately contact the dealer that sold you the product.
- Read and follow this instruction manual carefully to help you install, use and maintain your portable air conditioner.
- Read the troubleshooting section of this manual as it will help you diagnose and solve common issues.
- Visit us on the web at <https://www.edgestar.com> for product guides, additional troubleshooting resources, and up-to-date information. You can also find an interactive self-diagnostic tool at <https://support.edgestar.com>. If you need service, our friendly customer service representatives are available via email at [service@edgestar.com](mailto:service@edgestar.com) or by telephone at **1 (866) 319-5473**.

# Parts Identification

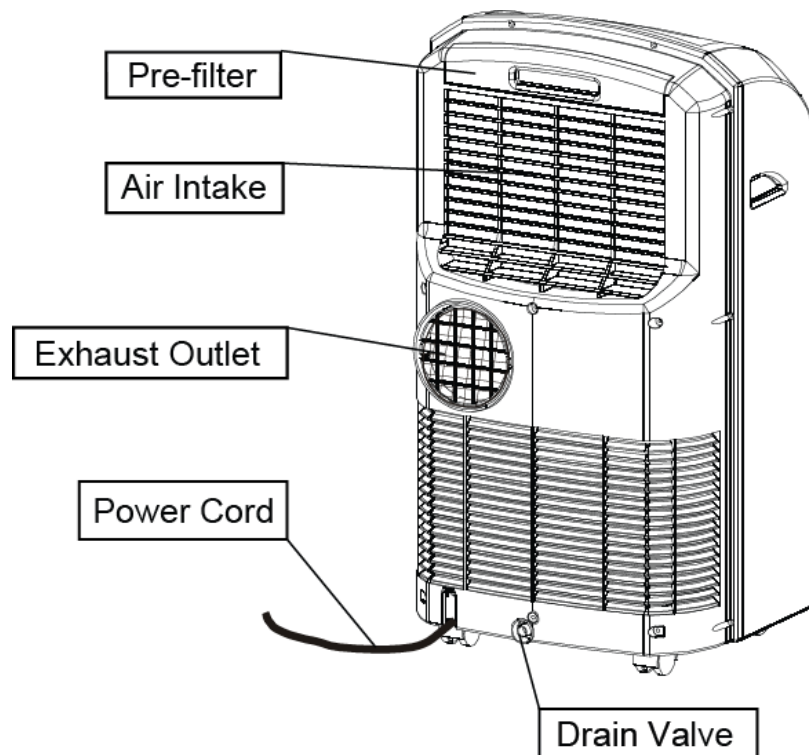


**Caution:** Make sure the rubber drain plug is firmly installed to the Drain Port to prevent leaking.

## Side View



## Back View

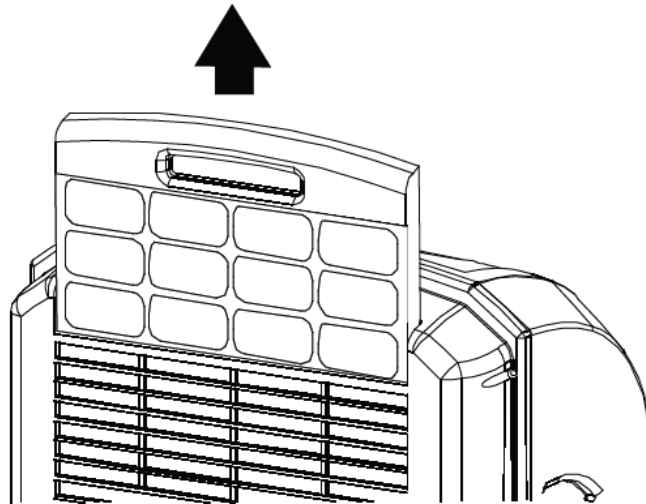


# Installing the Carbon Filter

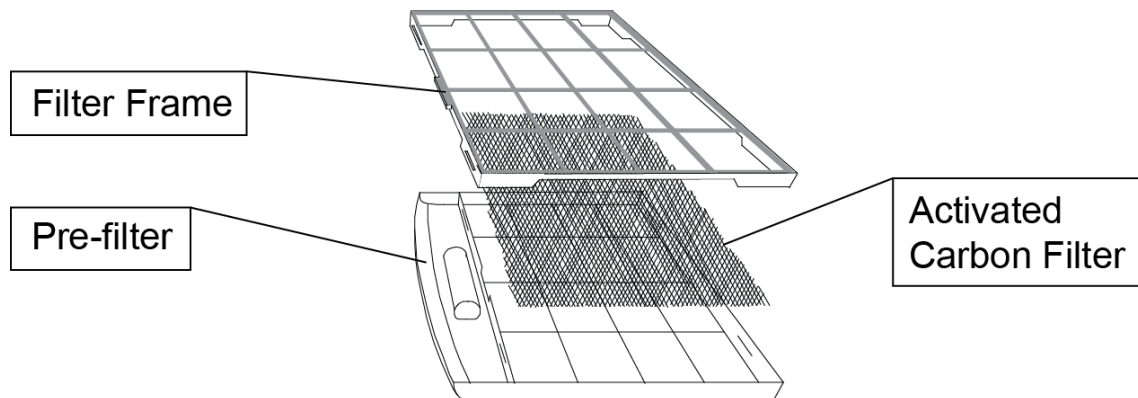


**Caution:** Never operate the air conditioner without the pre-filter attached.

Your portable air conditioner ships with a pre-filter and an activated carbon filter. The carbon filter will help remove contaminants and odors from the air. It is recommended you replace the carbon filter every three to six months, or as needed. It is necessary to clean the pre-filter periodically. Follow the steps below to install the carbon filter:



1. Pull the handle on the pre-filter straight up.



2. Separate the filter frame from the pre-filter.
3. Place the activated carbon filter on the pre-filter.
4. Reattach the filter frame.
5. Insert the assembled pre-filter into the back of the unit.

# Window Kit Installation Instructions

## Preparations for Installing the Window Kit

You must vent your portable air conditioner when running it in cooling mode. Your unit includes a window exhaust kit that can be used to vent the unit out of a window.

Before you begin, make sure you have all the parts necessary for installation.

### Window Kit Parts list:



4 Screws



1 Grated Adapter



1 Exhaust Hose



1 Exhaust Cover



2 Duct Connectors



1 Window Kit Plate with Hole

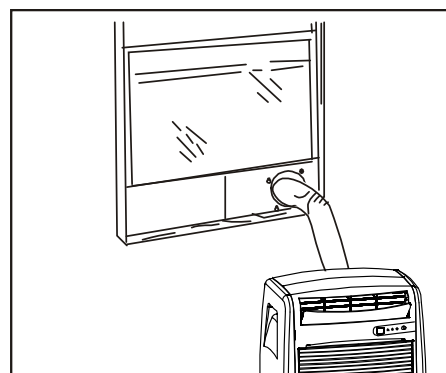
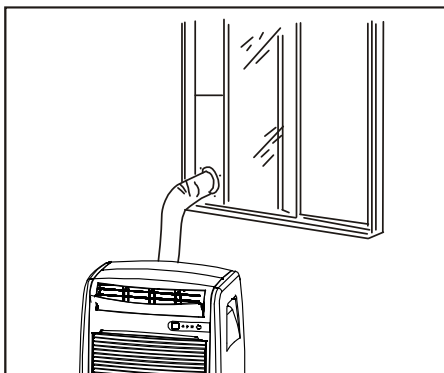
1 Window Kit Plate

If you have multiple windows, choose one that is near an electrical outlet that will be able to provide sufficient power to your unit. See the power requirements listed on the product label printed on the side, or on the back of your portable air conditioner.



**Note:** You may need to contact your electrician if your room's circuit is not able to power your unit.

Your window kit can be installed on a horizontal or vertical sliding window as shown in the following images:

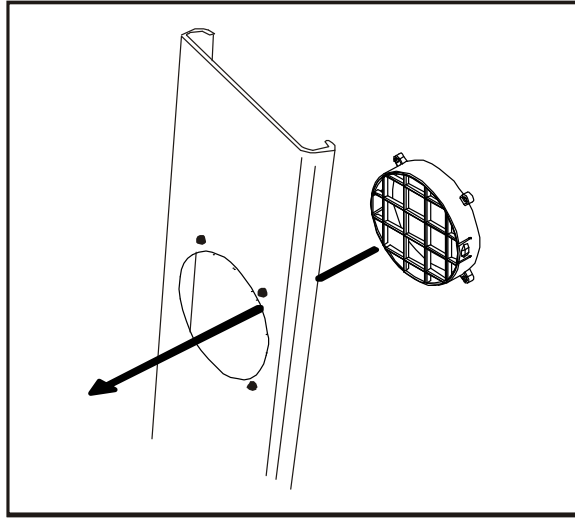


Follow the instructions on the next pages to install the window kit.

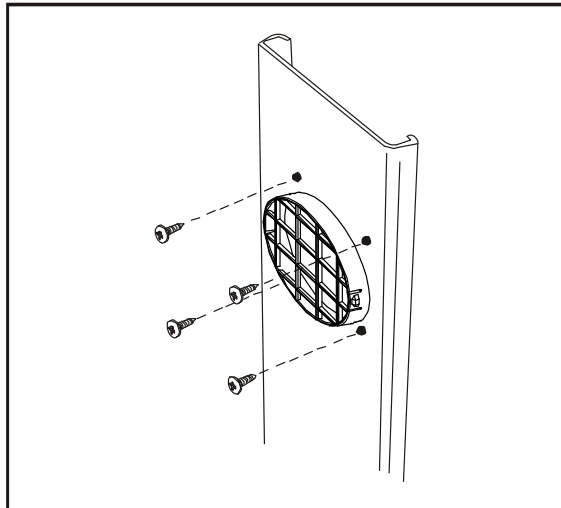


## ***Installing the Grated Adapter***

1. Insert the round grated adapter through the back grooved side of the window kit plate into the hole.

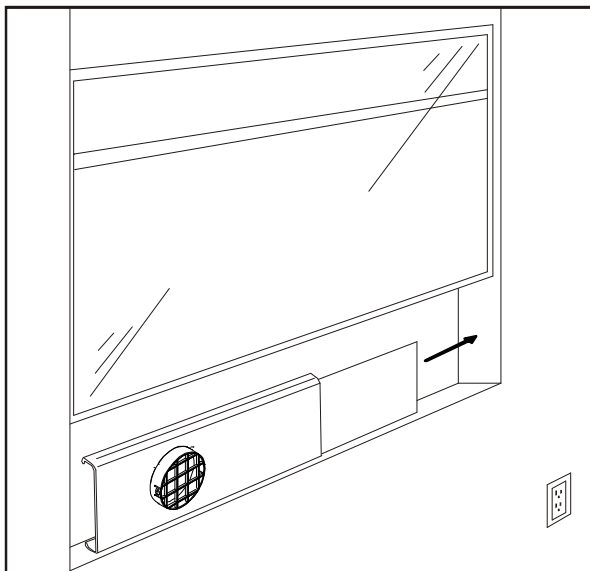


2. Secure the grated adapter by fastening the screws from the flat side of the window kit plate to the holes on the grated adapter.

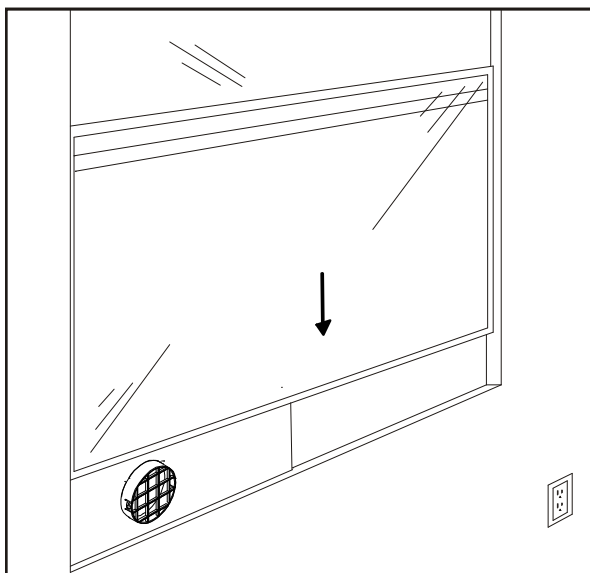


## Installing the Window Plates

3. Open your window and place the window kit on the window sill with the grooved side facing outward. Then slide the window kit plate out to fit the width of the window. You can use screws to secure the window kit plate and keep it from sliding.



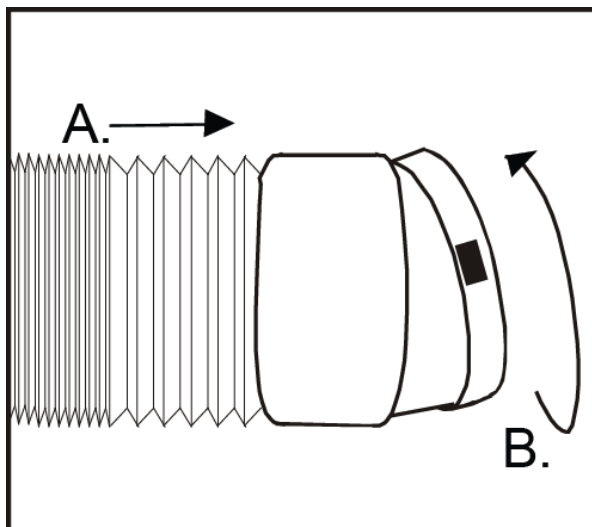
4. Lower the window to secure the window kit in place. You may need to use duct tape to better secure the window kit.



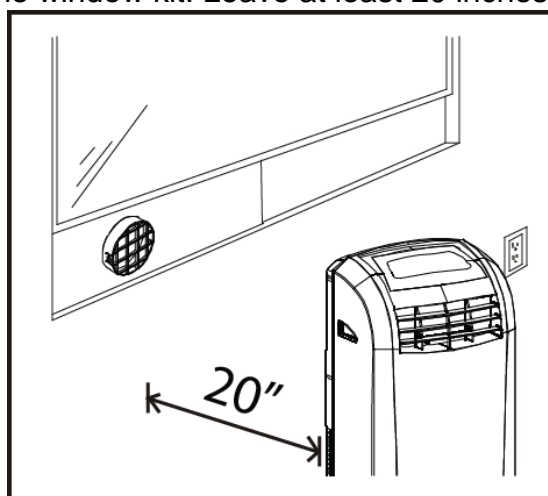
**Caution:** Secure your window with window locks. Please contact your dealer to purchase window locks.

## ***Attaching the Duct Connectors to the Exhaust Hose***

5. Attach the connectors to the hose:
  - A. Extend the ends of the exhaust hose
  - B. Thread the duct connector on by turning it clockwise until it stops.

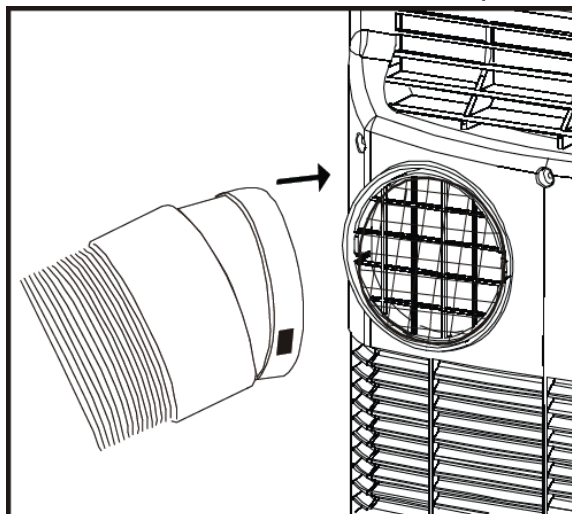


6. Roll the unit towards the window kit. Leave at least 20 inches between the unit and the wall.



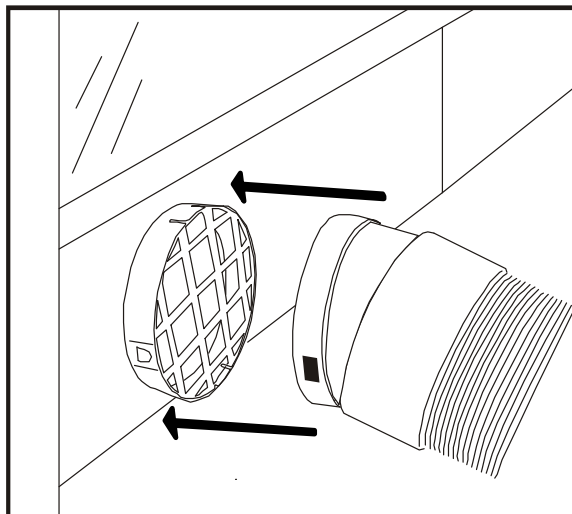
## ***Connecting the Duct Connector to the Unit***

7. Align the slots on the duct connector to the tabs and snap it into the back of the unit.



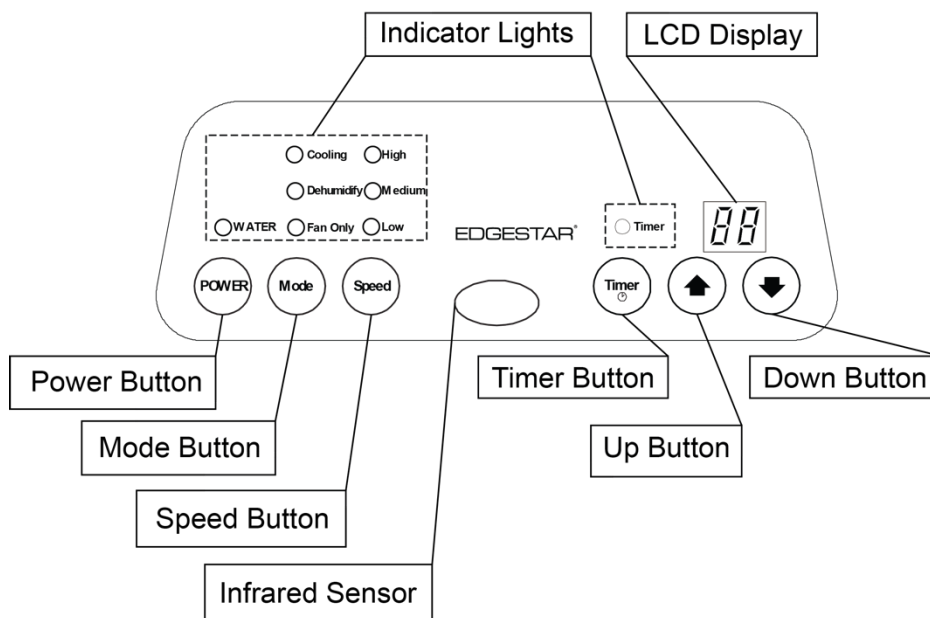
## Connecting the Duct Connector to the Grated Adapter

- Align the slots on the duct connector to the tabs on the grated adapter and snap the duct connector into place.



After you have installed the exhaust hose and the window kit, you can plug in your portable air conditioner and start using it.

## Control Panel Overview



Button	Function
Power	This button powers the unit on or off.
Mode	This button changes between cool, dehumidify, heat, and fan modes. The indicator light will turn on next to the mode you set. Heating mode will display a red indicator light.
Speed	This button sets the fan speed. The High, Medium, or Low indicator light will turn on next to the fan speed you set.
Timer ⌚	This button enables the timer.
↑ (Up)	This button increases the set temperature or the time when the Timer button is enabled.
↓ (Down)	This button decreases the set temperature or the time when the Timer button is enabled.

Indicator	Function
Water Light	The water light will turn on if the internal water reservoir is full.
Timer Light	The timer light indicates that you have set the timer. Use the Up and Down buttons to set the number of hours desired for the timer.
LCD Display	The LCD can display the ambient temperature, set temperature, and the number of hours when setting the timer.
Infrared Sensor	This screen is the receiver for the remote control.

## Using the Control Panel

### Power:

Use the Power button to turn the portable air conditioner on and off.

By default when you first use the power button, the unit will begin to operate in cooling mode. The unit will remember the last used mode / settings if you shut it down and restart it.

**Auto-Restart:** If power to the unit is interrupted, the air conditioner will restart itself in its last used mode / settings once power is restored. The compressor will restart after three (3) minutes.

### Cooling Mode:

Cooling mode cools and dehumidifies the air. If the ambient temperature drops below the temperature you selected, the compressor turns off and the unit functions with the fan only. When the temperature rises above the temperature you selected, the compressor turns on again.

To operate the unit in cooling mode:

1. Make sure the power cord is plugged into a power outlet.
2. Press the Power button.
3. Press the Mode button until the LED indicator next to “Cooling” lights up.
4. Select the fan speed by using the Speed button.
5. Set the thermostat by using the Up and Down buttons. The thermostat is adjustable between 61°F - 89°F in one degree increments.



**Note:** The exhaust hose must be used in Cooling mode in order to cool a room.

## Dehumidifying Mode:

During the Dehumidifying mode, the unit will condense water out of the air and exhaust it through the exhaust hose. The ambient temperature in the room will probably drop by a few degrees while using the Dehumidifying mode.

To operate the unit in dehumidifying mode:

1. Make sure the power cord is plugged into a power outlet.
2. Press the Power button.
3. Press the Mode button until the LED indicator next to “Dehumidify” lights up.



**Notes:** If the room temperature is below 77° F, the fan will always run on low speed while in the Dehumidifying mode. If you do not use the exhaust hose in Dehumidifying mode, you must manually drain the water from the unit. Additionally, the ambient temperature in the room will probably rise by a few degrees if you do not use the exhaust hose. You will not be able to change the thermostat temperature while in Dehumidifying Mode.

## Heat Mode:

Your air conditioner can work as a heat pump. It must be vented so that it can expel the cold air out of the exhaust.

To operate the unit in heat mode:

1. Make sure the power cord is plugged into a power outlet.
2. Press the Power button.
3. Press the Mode button until the LED indicator next to “Fan” lights up red.

## Fan Only Mode

Fan Only mode is used to circulate the air in your room. No temperature setting is needed.

To operate the unit in Fan Only mode:

1. Make sure the power cord is plugged into a power outlet.
2. Press the Power button.
3. Press the Mode button until the LED indicator next to “Fan Only” lights up.
4. Press the Speed button to select the fan speed. You can choose between High, Medium, and Low. The LED indicator next to the speed will light up.



**Note:** Fan Only mode does not require that the exhaust hose be attached.

## Speed

The Speed button is used to change the fan speed while in Cooling and Fan Only modes. Press the Speed button to select the fan speed. The LED indicator light next to the High, Medium, or Low settings will light up.

## Timer

The timer can be used to either turn the unit on or off after a number of elapsed hours. The timer is adjustable between 1-24 hours in one hour increments.

### ***How to set the unit to automatically turn on:***

1. Press the Timer button while the unit is powered off. The Timer indicator LED will light up.
2. Use the Up and Down buttons to set the time (displayed in hours). After the selected time passes, the unit will automatically turn on.

### ***How to set the unit to automatically turn off:***

1. Press the Timer button while the unit is powered on. The Timer indicator LED will light up.
2. Use the Up and Down buttons to set the time (displayed in hours). The unit will automatically turn off after the selected time elapses.



**Note:** To cancel the timer, press the Timer button or the Power button.

## LED Display

The LED Display will show the ambient temperature by default. Pressing either the Up or Down button will show the set temperature for 15 seconds, and then revert to the room temperature. You can switch between Fahrenheit and Celsius by pressing both the Up and Down Buttons simultaneously. The displayed range of the ambient temperature is from 0° to 99°. Temperatures above 99° will be displayed as “Hi”, and temperatures below 0° will be displayed as “Lo”. If you enabled the Timer, the LCD Display will show the hour(s) set.

## Water Light

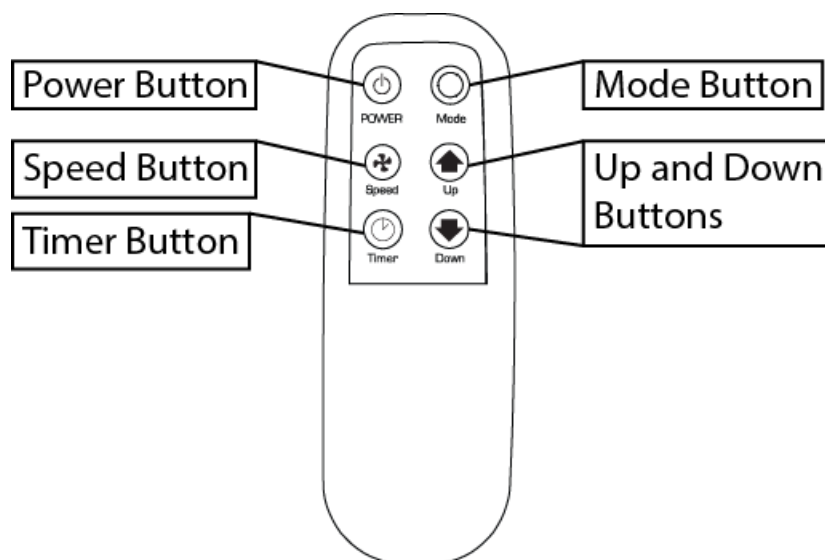
In high humidity situations, the internal water reservoir may fill. The unit will automatically shut off and the water light will turn on. Once the water is manually drained, the unit will operate normally.

## Using the Remote Control



**Note:** Be careful not to drop the remote control. Do not place the remote control in a location where it is exposed to direct sunlight.

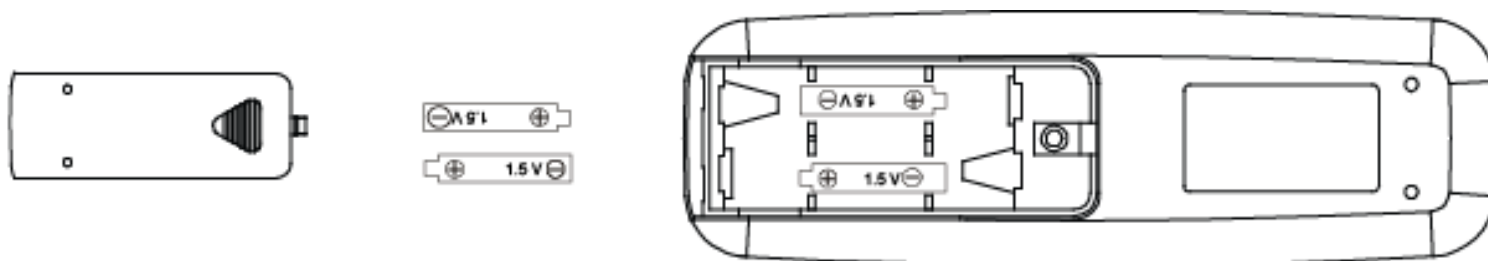
The remote control can be used instead of the control panel to remotely operate your portable air conditioner. The functions on the remote are the same as those on the control panel.



Button	Function
Power	The Power button powers the unit on or off.
Mode	The Mode button changes between cool, dehumidify, heat, and fan modes.
Speed	The Speed button allows you to set the fan speed at high, medium, or low.
Timer 🕒	The Timer button enables the timer.
↑ Up	The Up button increases the set temperature or the time when the Timer is enabled.
↓ Down	The Down button decreases the set temperature or the time when the Timer is enabled.



## Installing the Batteries



1. Remove the cover on the back of the remote control.
2. Insert the batteries with the (+) and (-) ends pointing in the correct direction, as indicated in the image above.
3. Slide the cover back on.



**Caution:** Use only AAA batteries. Remove the batteries if the remote control will not be used for one month or longer. Do not attempt to recharge batteries that are not designed to be recharged. All batteries should be replaced at the same time. Do not mix old and new batteries. Do not dispose of batteries in a fire as they may explode.

## Energy Saving Guide

Read and follow the guide below to get the best performance and efficiency from your portable air conditioner:

- Do not cover the air outlet (exhaust) while the unit is in use.
- Do not place the unit in front of curtains or drapes as they may obstruct the air intake.
- Minimize the length of the exhaust hose.
- Make sure the exhaust hose is as straight as possible and avoid kinks or bends.
- Keep curtains, blinds, or drapes closed during the sunniest part of the day.
- Use the timer to operate the unit before it is needed. For example, set the timer to turn the unit on in cooling mode for 3 or more hours to cool the room before you arrive. You may want to operate the unit all day if you live in a warmer climate.
- Minimize the heat sources (direct sunlight, computers, servers, people, etc.) in the room.
- Close all windows and doors.
- Use the unit in a contained room. For example, a room with four walls and a ceiling, instead of a partitioned studio, or warehouse.
- Make sure the unit is on a level surface.
- Minimize the amount of humidity in the room. For example, run the unit as a dehumidifier.
- To prolong the compressor's life, please wait at least 3 minutes before turning the unit back on after shutting it off.
- Inspect and clean the pre-filters regularly.
- Inspect and replace the activated carbon filters regularly.
- Perform routine maintenance.

## Maintenance

Clean the air conditioner and filters regularly to maximize performance and efficiency, and to prolong the unit's life. Be sure to always unplug the air conditioner from the power outlet before cleaning.

### ***Cleaning the Unit***

Use a soft dry cloth to wipe the body of the air conditioner clean. If necessary, use lukewarm water to dampen a cloth to clean the unit.

Use a soft bristle brush to clean between the vents.

Carefully use a vacuum cleaner to clean the condenser coils.

Never use abrasive chemicals, volatile substances, gasoline, detergents, chemically treated cloths, or other cleaning solvents that may damage the cabinet exterior.

Never spray water directly on the unit.

### ***Cleaning the Pre-filter***



**Note:** The activated carbon filter is not washable. You should replace it every 3 – 6 months or as needed. Contact EdgeStar or visit [www.EdgeStar.com](http://www.EdgeStar.com) for replacement filters.

To clean the pre-filter, follow the steps below:

1. Power off the unit and remove the pre-filter.
2. Remove the activated carbon filter.
3. Use a vacuum cleaner or tap the pre-filter lightly to remove loose dust and dirt, then rinse thoroughly under lukewarm running water (below 104°F). You may use a mild soap and water solution if needed. Allow the pre-filter to air dry in a cool and shaded place. Dry thoroughly before reinstalling.

Clean the pre-filter periodically. If the unit is used in a dusty environment you may need to clean it on a weekly basis.



**Warning:** Never operate the unit without the filters.

### ***Preparation for Storage***

If you are not going to be using the unit for an extended period of time, follow the instructions below before storing your unit:

1. Drain all the water from the unit's reservoir. Operate the unit in fan mode for a few hours to thoroughly dry any moisture left on the coils inside the unit.
2. Power off the unit. Then clean or change the filters.
3. Unplug and carefully wind the power cord.
4. Remove the exhaust hose and duct connectors and keep them in a safe place.

# Troubleshooting

Follow the troubleshooting guide below to resolve common issues.

Issue	Possible Cause	Solution
My air conditioner is not functioning at all.	The unit is not receiving power.	Make sure the unit is plugged in to a grounded outlet.
	The LCDI power cord is tripped.	Press the Reset button on the LCDI cord.
	There is insufficient power.	Move the unit to another outlet. Check your circuit breaker. (Refer to the rating label on the back of the unit to determine the Amperage draw).
	The water reservoir is full.	Drain the unit and restart it.
	The control panel is disconnected.	If no indicator lights turn on, contact customer service.
My remote control does not work and the indicator light on the remote does not turn on.	The batteries are not installed.	Install new batteries.
	The batteries are bad.	Replace the batteries.
	The batteries are installed incorrectly.	Reinstall the batteries correctly.
	The remote control is defective.	Contact customer service.
My air conditioner is making a loud noise.	The unit is not level.	Make sure the unit is on a level surface.
	A foreign object has jammed the fan.	Remove the object from the fan.
	The floor below the unit is uneven.	Move the unit to a level surface.
My air conditioner is making a continuous metallic knocking or pinging sound.	The unit may have been shipped on its side.	Shut off the unit. Let the unit sit on a level surface for at least 24 hours and restart it.
	The compressor is damaged.	Contact customer service.
My air conditioner is leaking.	The drain plug is removed.	Attach the drain plug.
	The base pan is cracked.	Contact customer service.
My air conditioner runs for a little while and then it trips the power cord or the circuit breaker.	The air conditioner may be plugged into an outlet that cannot supply the correct amount of current.	Contact an electrician if the unit works in a different room or circuit.
The control panel lights blink randomly.	The unit may have a faulty control panel.	Contact customer service.

<b>Issue</b>	<b>Possible Cause</b>	<b>Solution</b>
My air conditioner is not cooling at all.	The unit is not operating in cooling mode.	Set the unit to be in cooling mode, and lower the set temperature (pg. 9).
	The compressor is not on.	The compressor may take up to 3 minutes to turn on, or longer if it is too warm.
	The ambient temperature is too high.	Allow the unit to begin cooling the area before an ambient temperature of 90°F is reached.
	The filter may be dusty or blocked.	Clean the filters (pg. 14).
	The exhaust port is blocked.	Remove any obstructions in the exhaust hose and port.
My air conditioner blows cold air, but does not lower the room temperature.	The unit has not been vented.	The unit must be vented (pg. 4).
	The area of the room is too large.	Minimize the size of the area to be cooled, i.e. adding a drop ceiling. Use more than one unit to cool the area, or use a larger unit.
	There are open windows and doors.	Close any open doors or windows.
	There are too many heat sources.	Remove or shut off additional heat sources such as radio equipment, servers, etc.
	The room / garage may be inadequately insulated.	Properly insulate the room to be cooled, i.e. using fiberglass.
	The ambient temperature is too high.	The unit may not work if the room temperature is above 90°F.
	Direct sunlight is heating the room.	Close the curtains or pull down the blinds to minimize the amount of direct sunlight entering the room.
	The filter may be dusty or blocked.	Clean the filter and replace it if needed.
	The condenser coils are dirty.	Carefully vacuum the coils clean.
	The air intake or exhaust ports are obstructed.	Remove anything blocking the ports.



**Tip:** Run the unit before it is needed. For example, run the unit in the morning before the area gets hot, and continue to run the unit all day long in order to maintain a low temperature.

## Specifications

Description of product	Portable Air Conditioner
Model	AP12000HS
Voltage / Frequency	AC 115V ~ 60Hz
Input Power	1000 W (Cooling) 1000 W (Heating)
Current	9.5 A (Cooling) 9.5 A (Heating)
<b>Cooling Capacity (SACC)</b>	<b>4900 BTU</b>
Cooling Capacity (ASHRAE)	12000 BTU
Color	Silver
Dehumidifying Capacity	90 pints / Day
Coolant	R-410A
Timer	24 Hour
Dimensions W x H x D	17.1" x 30.9" x 15"
Weight	69 lbs.

## **New Portable Air Conditioner BTU's**

You may notice that the cooling capacities (in British Thermal Units or BTU's) labeled on portable air conditioners (PAC's) are now lower than on models produced prior to October 1, 2017. This is because the labeling on new productions of PAC's must follow a new federal test standard that was established by the Department of Energy: 10 CFR 430, subpart B, appendix CC.

The SACC rating shown on your new PAC is a result of this new standard. Models manufactured before 2017 were tested under a different standard (ASHRAE) that produced a higher cooling capacity output. While the SACC BTU's are lower than the previous ASHRAE BTU's, the construction and cooling capacity of this model(s) remains unchanged. Both the SACC and ASHRAE ratings are included for consumer comparison.

### ***What is SACC?***

SACC, or the Seasonally Adjusted Cooling Capacity, is a rating in BTU/hour that represents the weighted average performance of a PAC in a number of test conditions, some of which may be more extreme than the average use case, which is then adjusted to account for the effect of infiltration air and duct heat transfer. The factors included in the SACC calculation are why the ratings appear lower, even though the model(s) has not changed.

# EdgeStar Limited Warranty

## One (1) Year Parts & Ninety (90) Days Labor

This product is warranted by EdgeStar to be free from defective workmanship and materials, subject to any conditions set forth as follows:

### WHAT IS COVERED:

**LABOR:** For a period of NINETY (90) DAYS from the date of original purchase, labor will be performed free of charge at an authorized EdgeStar repair facility. At its option, EdgeStar will repair the product with new or remanufactured parts, or exchange the defective product with a new, refurbished, or remanufactured product. If a product is replaced, it will carry the remaining warranty of the original product. After the ninety (90) day period, EdgeStar will no longer be responsible for labor charges incurred. All defective products and parts covered by this warranty will be repaired or replaced on a mail-in basis to an EdgeStar authorized repair facility.

**PARTS:** For a period of ONE (1) YEAR from the date of original purchase, EdgeStar will supply new, rebuilt, or refurbished parts free of charge. EdgeStar may request a defective part be returned in exchange for the replacement part. All replacement parts or products will be new, remanufactured, or refurbished. All products and parts replaced by EdgeStar under warranty service become the property of EdgeStar.

This warranty applies to the original purchaser only, and only covers defects in workmanship experienced during operation of the product under normal service, maintenance, and usage conditions. This warranty applies to the purchase and use of this product in residential settings within the contiguous United States of America.

### WHAT IS NOT COVERED:

The following limitations apply to the coverage of this warranty. This warranty does not cover:

- Labor charges for installation, setup or training to use the product.
- Shipping damage, and any damage caused by improper packaging for shipment to an authorized service center, and any damaged caused by improper voltage or any other misuse, including abnormal service, handling, or usage.
- Cosmetic damage such as scratches and dents.
- Normal wear and tear on parts or replacement of parts designed to be replaced, e.g. filters, cartridges, batteries.
- Service trips to deliver, pick-up, or repair, install the product, or to instruct in proper usage of the product.
- Damages or operating problems resulting from misuse, abuse, operation outside environmental specifications, uses contrary to instructions provided in the owner's manual, accidents, acts of God, vermin, fire, flood, improper installation, unauthorized service, maintenance negligence, unauthorized installation or modification, or rental or commercial use.
- Labor, service transportation, and shipping charges incurred 91 days or more after the date of original purchase.
- The use of EdgeStar products in commercial or rental settings.
- Optional accessories, attachments, and appearance items.
- Products that have been modified to perform outside of specifications without the prior written permission of EdgeStar.
- Products lost in shipment, or theft.
- Products sold AS IS or from an unauthorized reseller.
- Products that have had their serial numbers removed or defaced. Products with serial numbers that have been invalidated.
- Damage to personal property from use of product.
- Replacement of repair of household fuses, circuit breakers, wiring, or plumbing.

### OBTAINING WARRANTY SERVICE:

If you believe your product is defective, contact EdgeStar Customer Support for troubleshooting assistance and warranty service at [www.edgestar.com](http://www.edgestar.com) or 1-866-319-5473. Before contacting EdgeStar, have your serial number and proof of purchase available. Once an EdgeStar authorized representative has confirmed that your product is defective and eligible for warranty service, the product must be returned to an EdgeStar repair facility. The purchaser is solely responsible for prepaying all shipping related costs to and from the repair facility. EdgeStar is not responsible for damage resulting from shipper mishandling or improper packaging. Do not return a defective product to the place of purchase. Products received without a return authorization number will be refused.

THIS WARRANTY IS IN LIEU OF ANY OTHER WARRANTY, EXPRESSED OR IMPLIED, INCLUDING WITHOUT LIMITATION, ANY WARRANTY OF MERCHANTABILITY OR FITNESS FOR A PARTICULAR PURPOSE. TO THE EXTENT ANY IMPLIED WARRANTY IS REQUIRED BY LAW, IT IS LIMITED IN DURATION TO THE EXPRESS WARRANTY PERIOD ABOVE. NEITHER THE MANUFACTURER NOR ITS DISTRIBUTORS SHALL BE LIABLE FOR ANY INCIDENTAL, CONSEQUENTIAL, INDIRECT, SPECIAL, OR PUNITIVE DAMAGES OF ANY NATURE, INCLUDING WITHOUT LIMITATION, LOST REVENUES OR PROFITS, OR ANY OTHER DAMAGE WHETHER BASED IN CONTRACT, TORT, OR OTHERWISE. IN NO EVENT AND UNDER NO CIRCUMSTANCE OF ANY TYPE OR KIND SHALL THE SELLER, MANUFACTURER AND/OR DISTRIBUTOR BE LIABLE FOR ANY REASON, UNDER ANY THEORY, FOR MORE THAN THE BASIC COST OF THE PRODUCT TO THE PURCHASER OR END USER. SOME STATES DO NOT ALLOW THE EXCLUSION OF INCIDENTAL OR CONSEQUENTIAL DAMAGES, SO THE ABOVE EXCLUSION MAY NOT APPLY TO YOU. THIS WARRANTY GIVES YOU SPECIFIC LEGAL RIGHTS. YOU MAY HAVE OTHER RIGHTS THAT VARY FROM STATE TO STATE.