

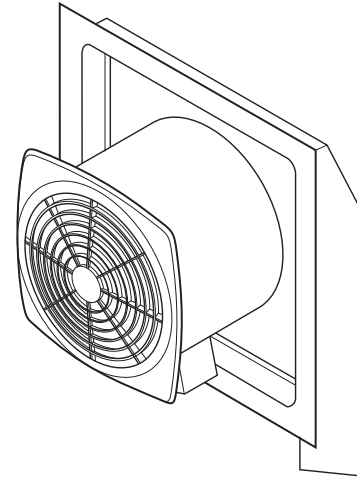
# Air King<sup>®</sup>

## Ventilation Products

SPECIFICATIONS  
**EWF-180**  
 EXHAUST FANS

**180 CFM/6.5 SONES @ 0.10" WG. -HVI CERTIFIED**  
**120 Volts, .80 amps, 60 hz.**

- **Grill**  
White polymeric grill, dimensions - 11<sup>1</sup>/<sub>2</sub>" x 11<sup>1</sup>/<sub>2</sub>".
- **Blower Wheel**  
One piece polymeric wheel, 5<sup>1</sup>/<sub>8</sub>" diameter, 2<sup>3</sup>/<sub>8</sub>" wide, 48 fins.
- **Motor**  
Heavy duty, permanently split capacitor, plug-in, 4 pole motor, life time lubrication, thermally protected. Rated 120 volts, 60 hz., 0.80 amps.
- **Fan Housing**  
-
- **Duct**  
Metal 8" round duct, vents directly to outside, includes springloaded aluminum backdraft damper.
- **Unit Mounting**  
-
- **Ventilating Area**  
For rooms up to 225 sq. ft.
- **Single Pack Shipping Info**  
Box Dim: -  
UPC: 0-8316221801-8



**CUL/HVI**

HVI PERFORMANCE									
Static Pressure (inches of w.g.)	0	0.05	0.1	0.15	0.2	0.25	0.3	0.35	0.4
CFM	-	-	-	-	-	-	-	-	-
RPM	-	-	-	-	-	-	-	-	-
WATTS	-	-	-	-	-	-	-	-	-

Air-King exhaust fans are tested by the Air Movement and Control Association (AMCA) in accordance with HVI test standard 916, (Air Flow Test Standard) and HVI test standard 915 (Procedure For Loudness Rating Of Residential Fan Products). The Performance results are certified and verified by the Home Ventilating Institute (HVI).

<b>PROJECT</b>					<b>ARCHITECT</b>				
<b>LOCATION</b>					<b>ENGINEER</b>				
<b>CONTRACTOR</b>					<b>SUBMITTED BY</b>			<b>DATE</b>	
FAN NUMBER	MODEL NUMBER	CFM	IN W.C.	RPM	WATTS	AMPS	SONES	QTY	OPTIONAL EQUIPMENT & REMARKS



U.S.: 820 Lincoln Drive  
 West Chester, Pennsylvania 19380-4466  
 Tel: (610) 692-7400 • 877-304-3785  
 Fax: (610) 696-8048

Canada: 110 Glidden Road  
 Brampton, Ontario L6T 2J3  
 Tel: (905) 456-2033  
 Fax: (905) 456-1015