

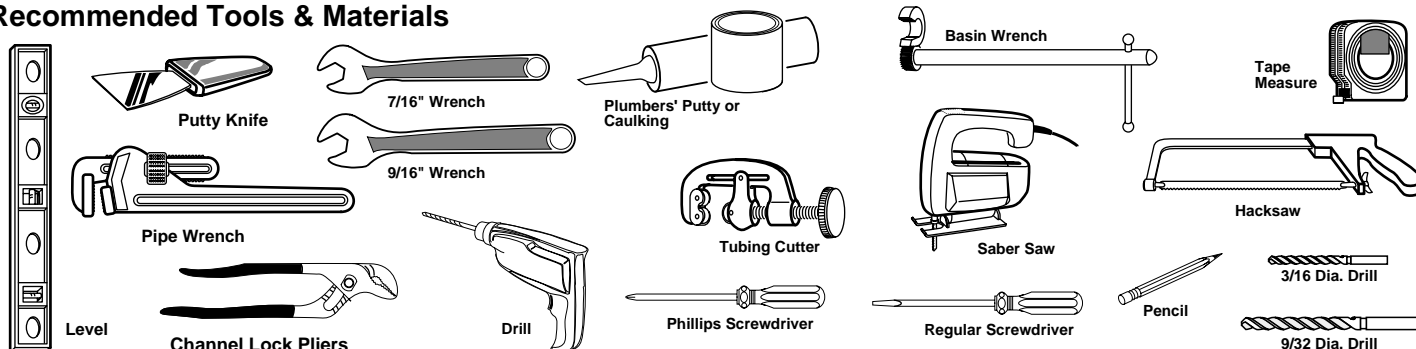
Ravenna Wall-Hung Semi-Pedestal Sink

Introduction: Thank you for selecting our products...products which have been the benchmarks of fine quality for years. To help insure that the installation process will proceed smoothly, please read these instructions carefully before you begin. Also, review the recommended tools and materials list; carefully unpack and examine your new plumbing fixture.

⚠ CAUTION: PRODUCT IS FRAGILE. TO AVOID BREAKAGE AND POSSIBLE INJURY HANDLE WITH CARE!

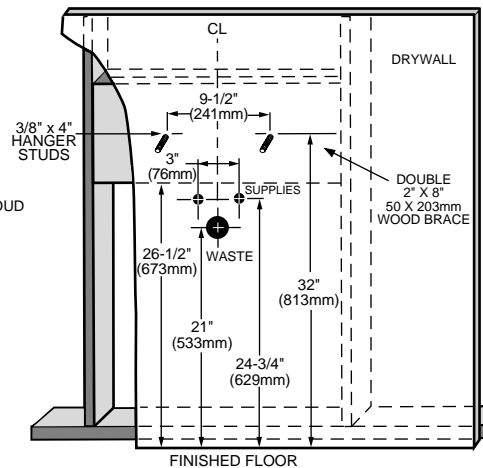
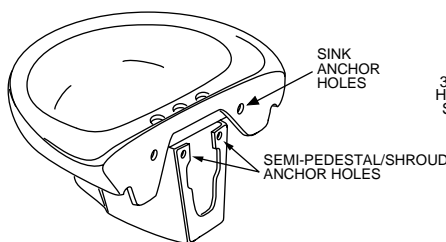
NOTE: Pictures may not exactly define contour of china and components.

Recommended Tools & Materials

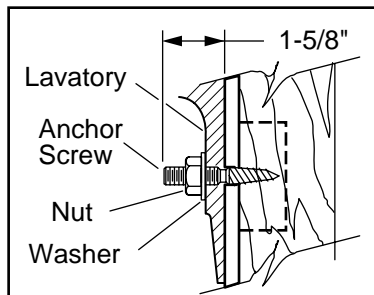


***NOTE:** for ease of installation and accessibility, it is recommended that straight stops with flex supply tubes be used. As an alternative, if rigid supply risers are used, it is suggested to use angle stops in place of the straight stops.

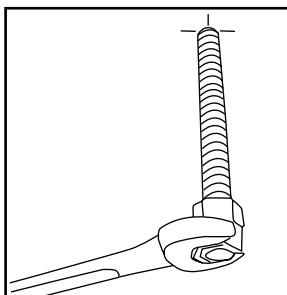
1 Provide Rough-in: Install waste pipe 21" (533mm) up from the floor. Install the supplies at 24-3/4" (629mm) up from finished floor, spaced 1-1/2" (38mm) to either side of centerline. Firmly attach two 2" x 8" (50 x 203mm) wood braces to wall studs. Bottom of brace should be 26-1/2" (673mm) up from floor and extend a minimum of 6" (153mm) to either side of waste. Complete drywall installation (see figure 1).



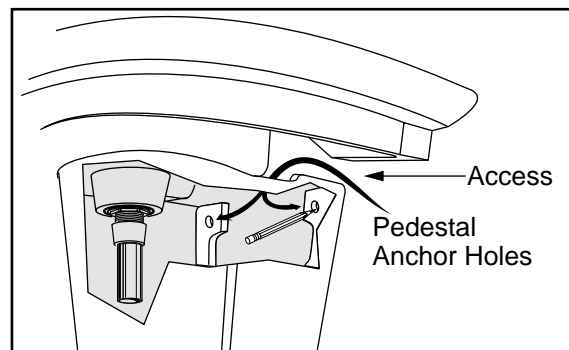
2a Drill (2) 9/32" dia. (7mm) holes 32" up from finished floor, spaced at 4-3/4" (120.6mm) either side of centerline. Install (2) 3/8" x 4" lg studs using the double nut method, leaving 1-5/8" of threaded end exposed. Mount the sink to studs temporarily, making sure the sink is level side to side.



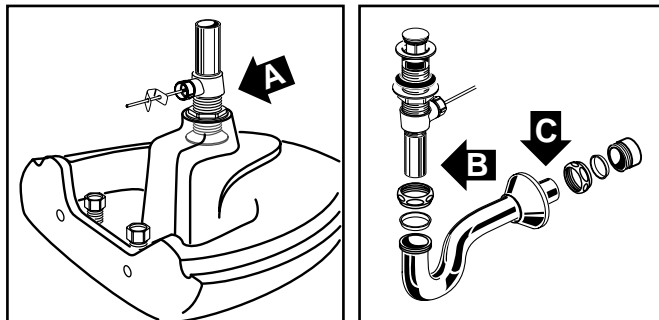
ANCHOR SCREW INSTALLATION
Install lavatory anchor screws leaving 1-5/8" threaded end exposed as illustrated.



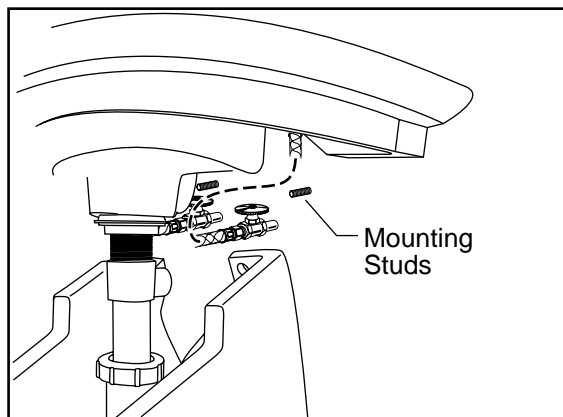
2b Position semi-pedestal under bottom lip of sink. While holding semi-pedestal in position reach through the access area between the lavatory and semi-pedestal and mark the location of anchor holes. Remove semi-pedestal and predrill 3/16" (4-5mm) dia. holes at locations marked. Install 1/4" x 3" lg studs leaving 1-1/4" exposed. Use same anchor screw installation as in 2a.



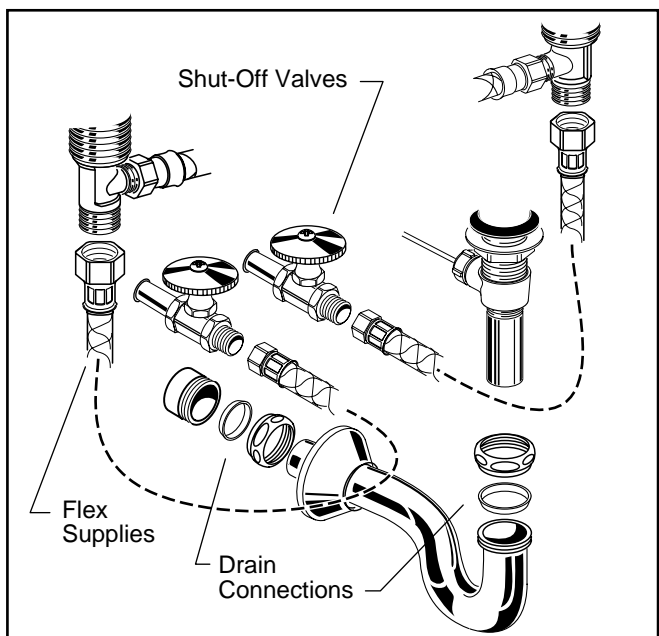
3 Remove lavatory top. Install faucet and pop-up assembly ("A") according to manufacturer's instructions before installing sink. Remount sink on the threaded end of wall studs. Firm up with washers and nuts, but do not over-tighten. It may be necessary to cut off part of the tailpiece (area "B") or part of the horizontal leg of the trap (area "C").



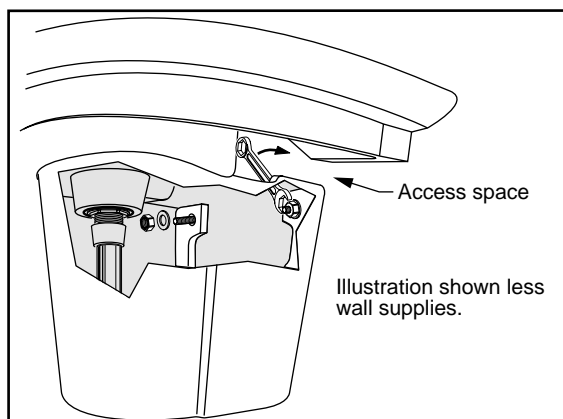
5 Mount Semi-Pedestal in position on threaded end of 1/4" studs using washers and nuts supplied.



4 Connect water supplies lines and drain pipe connections. Turn water on and check for leaks.



6 Through the access space between pedestal and lavatory use a 7/16" wrench to tighten the pedestal to wall.



7 If installing optional towel bar (model 3520) it is recommended to install the towel bar after the sink and semi-pedestal are installed. (See instructions for towel bar.)

AMERICAN STANDARD ONE-YEAR LIMITED WARRANTY

If inspection of this American Standard plumbing product, within one year after its initial installation, confirms that it is defective in materials or workmanship, American Standard will repair or, at its option, exchange the product for a similar model.

This limited warranty **does not apply** to local building code compliance; since local building codes vary considerably, the purchaser of this product should check with a local building or plumbing contractor to insure local code compliance before installation.

This warranty **shall be void** if the product has been moved from its initial place of installation; if it has been subjected to faulty maintenance, abuse, misuse, accident or other damage; if it was not installed in accordance with American Standard's instructions; or if it has been modified in a manner inconsistent with the product as shipped by American Standard.

American Standard's option to repair or exchange the product under this warranty does not cover any labor or other costs of removal or installation, **nor shall American Standard be responsible for any other incidental or consequential damages attributable to a product defect or to the repair or exchange of a defective product, all of which are expressly excluded from this warranty.** (Some states or provinces do not allow the exclusion or limitation of implied warranties, so this exclusion may not apply to you.)

This warranty gives you specific legal rights. You may have other statutory rights that vary from state to state or from province to province, in which case this warranty does not affect such statutory rights.

For service under this warranty, it is suggested that a claim be made through the contractor or dealer from or through whom the product was purchased, or that a service request (including a description of the product model and of the defect) be sent to the following address:

In the United States:
 American Standard, Inc.
 One Centennial Ave.
 Piscataway, New Jersey 08855
 Attention: Director of Consumer Affairs
 Toll Free: (800) 442-1902

In Canada:
 American Standard, Inc.
 2480 Stanfield Rd.,
 Mississauga, Ontario
 Canada L4Y 1S2
 Toll Free: (800) 387-0369

In Mexico:
 Customer Service Manager
 American Standard, Inc.
 Via Morelos #330
 Col. Santa Clara
 Ecatepec 55540 Edo. Mexico

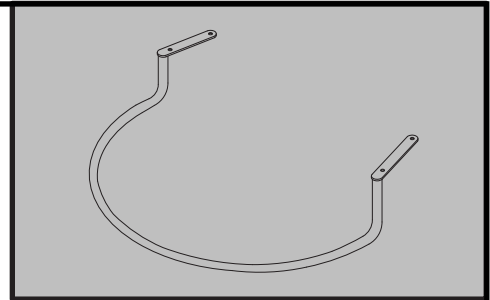
TOWEL BAR INSTALLATION INSTRUCTIONS INSTRUCCIONES PARA LA INSTALACION DE LA BARRA PORTA TOALLAS DIRECTIVES D'INSTALLATION DU PORTE SERVIETTES

MODEL 3520 - MODELO 3520 - MODÈLE 3520

Thank you for selecting American Standard . . . the benchmark of fine quality for over 100 years. To ensure this product is installed properly, please read these instructions carefully before you begin.

Gracias por elegir American Standard . . . ha sido el sinónimo de buena calidad por más de 100 años. Para asegurar que este producto sea instalado correctamente, por favor, lea estas instrucciones cuidadosamente antes de comenzar.

Merci d'avoir choisi American Standard . . . la référence en terme de qualité supérieure depuis plus de 100 ans. Pour vous assurer d'une pose sans tracas, s.v.p. lire attentivement les instructions avant de commencer.



BEFORE YOU BEGIN...

Unpack new towel bar and inspect carefully for damage. Replace the towel bar in its original packing carton to protect it until you are ready to begin installation.

ANTES DE COMENZAR...

Desempaque la barra porta toallas y revisela cuidadosamente por defectos. Coloquela de nuevo en la caja para protegerla hasta que usted este listo para iniciar la instalación.

AVANT DE COMMENCER...

Bien regarder pour les dommages et réemballer dans son carton jusqu'à ce vous soyez prêt à l' utiliser.

Recommended Tools & Materials Herramientas y Materiales Recomendados Outils et Matériels Recommandés

- Phillips Screwdriver
- Destornillador de punta de estrella
- Tournevis Phillips

Mount well nuts to back side of towel bar using screws supplied (do not overtighten). Insert well nuts in proper holes in lavy, hold flat mounting surface against lavy and tighten screws until bar is secure.

Monte las tuercas cilíndricas en la parte posterior de la barra, utilizando los tornillos provistos (no apriete excesivamente). Inserte las turcas cilíndricas en los orificios correspondientes del lavamanos y apriete los tornillos hasta que la barra quede firme.

Installer les écrous d'accouplement à l'arrière du porte-serviettes à l'aide des vis fournies (ne pas trop serrer). Insérer les écrous de accouplement dans les trous prévus dans le lavabo, tenir le côté plat contre le lavabo et serrer les vis jusqu'à ce que le porte-serviettes soit solide.

