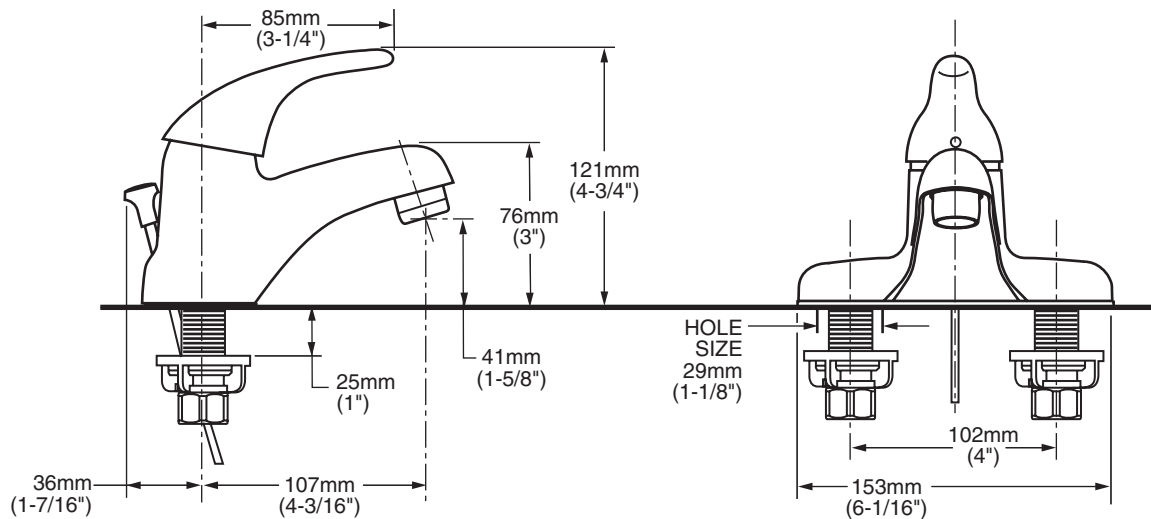


2175.500 Shown



**GENERAL DESCRIPTION:**

Single control lavatory faucet on 4" centers. Washerless 40mm ceramic disc valve cartridge. Durable cast brass waterway with 1/2" male threaded brass inlet shanks. Metal body with color matched underbody. Metal lever handle with large "comfort zone". 1.5 gpm/5.7L/min. maximum flow rate.

**PRODUCT FEATURES:**

**Cast Brass Waterways with "City Shanks":** Strong and durable. Integral tabs on casting provide a wobble-free installation.

**Ceramic Disc Valve Cartridge:** Assures a lifetime of drip-free performance.

**Low Lead:** Meets NSF Standard 61/Section 9 & Prop 65 lead requirements.

**Longer Spout:** Provides extended reach into lavatory.

**Memory Position Valving:** Allows user to turn valve on and off at preferred temperature setting without readjusting handle position each time.

**Large "Comfort Zone":** Allows easy fine tuning of temperature.

**Simple Installation:** Fast and easy one person installation. Faucet drops in from top. Quick spin nuts secure faucet in place.

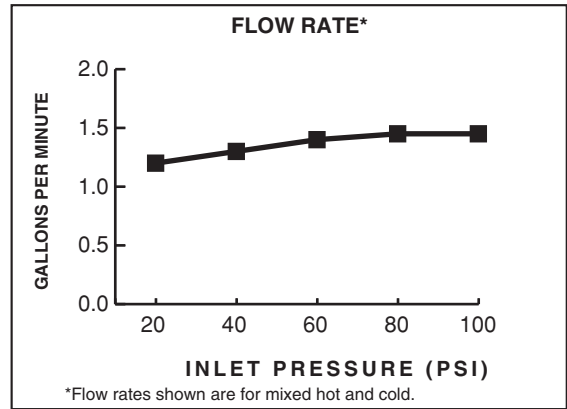
**SUGGESTED SPECIFICATION:**

Single control lavatory fitting shall feature cast brass waterways with 1/2" male inlet shanks. Shall also feature washerless 40mm ceramic disc valve cartridge. Fitting shall be American Standard Model # 2175. ....


**CODES AND STANDARDS**

These products meet or exceed the following codes and standards:

- ANSI A117.1**
- ASME A112.18.1**
- NSF 61/Section 9**
- CSA B 125**



| Product Number | Description   | Finish Options  |                  |
|----------------|---|-----------------|------------------|
|                |   | Polished Chrome | PVD Satin Nickel |
|                |   | 002             | 295              |
| 2175.500       | Colony Single Control Centerset. 50/50 Pop-up drain.                        |                 |                  |
| 2175.505       | Colony Soft Single Control Centerset. Less drain. With pop-up rod and hole. |                 |                  |
| 2175.504       | Colony Single Control Centerset. Less drain. Less pop-up rod and hole.      |                 |                  |

 Meets the American Disabilities Act Guidelines and **ANSI A117.1** Requirements for the physically challenged.