

AFWALL® FloWise® 1.28 GPF FLUSHOMETER TOILET SYSTEM with EVERCLEAN®

- 3351.528** 1.28 gpf Exposed Top Spud Bowl and Selectronic® Flush Valve

BOWL:

- Wall-mounted elongated flushometer valve toilet
- Vitreous china
- High Efficiency, Low Consumption. Operates in the range of 1.1 gpf to 1.6 gpf (4.2 Lpf to 6.0 Lpf)
- Meets definition of HET (High Efficiency Toilet) when used with a high efficiency flush valve (1.28 gpf or 1.6 / 1.1 gpf Dual Flush).
- Permanent EverClean® surface inhibits the growth of stain and odor-causing bacteria, mold, and mildew on the surface
- Condensation channel
- Powerful direct-fed siphon jet action
- 1-1/2" inlet spud
- Fully-glazed 2-1/8" trapway
- 10" x 12" water surface area
- 100% factory flush tested
- Bolt caps and seat not included
- Model 3351.001

SELECTRONIC® FLUSH VALVE:

- Electronic flush valve with Selectronic® proximity system for "Hands Free" operation
- Self-Cleaning Piston operation helps prevent clogging and reduces maintenance
- Positive seal ensures leak-free performance
- Fully mechanical Manual Override Button can flush toilet during a power outage
- Range can be adjusted manually or by remote control
- Sensor & electronic controls are fully enclosed and water resistant
- Automatically flushes after 24 hours of non-use to maintain trap seal
- 3-second Flush Delay
- Battery life up to 4 years/approx. 200,000 cycles
- Low Battery indicator
- Battery can be changed without turning off the water
- Factory-installed 6V lithium battery included
- Adjustable tailpiece for rough-in flexibility
- Can be installed left or right hand
- Model 6065.121.002

Includes:

- 047007-0070A Inlet Spud (furnished with bowl)
- 1" I.P.S. angle stop with back-flow prevention and vandal-resistant cap
- Sweat solder kit including cover tube and wall flange
- Outlet includes 1-1/2" vacuum breaker with adjustable tail piece, spud coupling & flange

To Be Specified:

- Color: White
- Seat:
 - American Standard #5901.100 Heavy duty open front less cover
 - American Standard #5905.100 Extra heavy duty open front less cover



SEE REVERSE FOR ROUGHING-IN DIMENSIONS

System MaP* Score:

- 1,000 grams of miso @ 1.28 gpf

* Maximum Performance (MaP) testing performed by IAPMO R&T Lab. MaP Report conducted by Veritec Consulting, Inc. and Koeller and Company.

Operating Pressure:

Overall Range: 20-125 psi**

Recommended: 25 psi (flowing)-80 psi (static)

** Water pressure over 80 psi is not recommended for most plumbing fixtures.

Flow Requirement:

25gpm (94.6 L/min.)

Nominal Fixture Dimensions:

660 x 356 x 381mm (26" x 14" x 15")

Fixture Compliance Certifications -

Meets or Exceeds the Following Specifications:

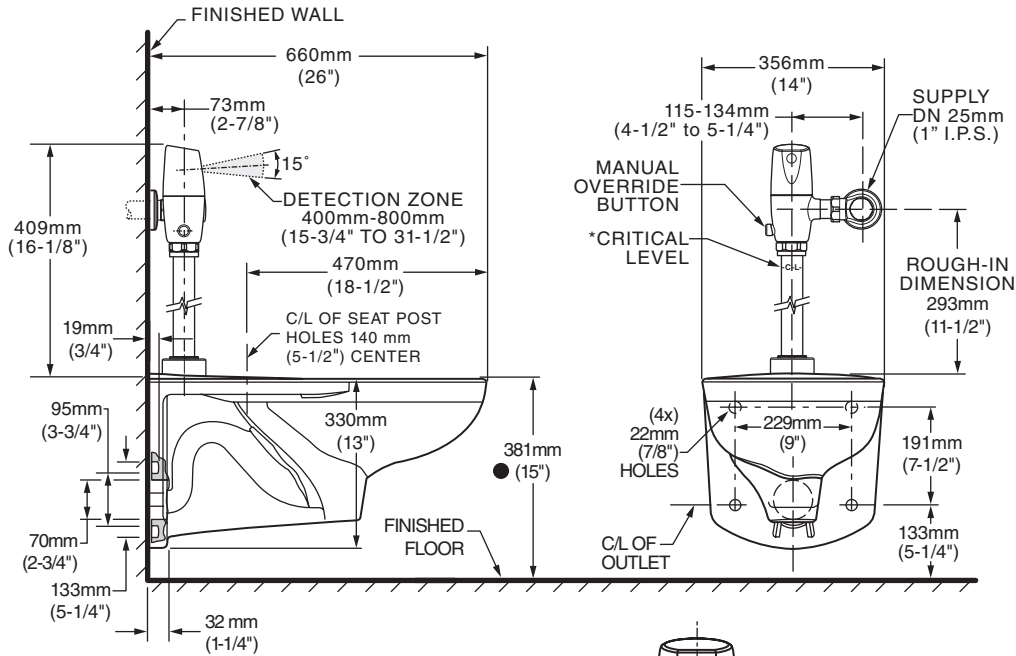
- ASME A112.19.2-2008 / CSA B45.1-08 for Vitreous China Fixtures

Valve Listings:

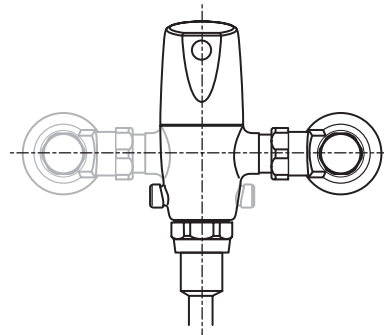
- ASSE 1037
- ANSI/ASME A112.19.2
- ADA Compliant

EVERCLEAN®
Surface





*Note: The Critical Line (-C-L-) on Vacuum Breaker must typically be a minimum of 6" (152mm) above fixture. Consult Codes for details.



VALVE LEFT or RIGHT HAND INSTALLATION



MEETS THE AMERICANS WITH DISABILITIES ACT GUIDELINES AND ANSI A117.1 ACCESSIBLE AND USABLE BUILDINGS AND FACILITIES - CHECK LOCAL CODES.

- When installed so that top of seat is 432 to 483mm (17" to 19") from the finished floor.

NOTES:

WASTE OUTLET SEAL RING MUST BE NEOPRENE OR GRAPHITE-FELT (WAX RING NOT RECOMMENDED).
 SUGGESTED 2mm (1/16) CLEARANCE BETWEEN FACE OF WALL AND BACK OF BOWL. TO COMPLY WITH AREA CODE GOVERNING THE HEIGHT OF VACUUM BREAKER ON THE FLUSHOMETER VALVE, THE PLUMBER MUST VERIFY DIMENSIONS SHOWN FOR SUPPLY ROUGHING.
 CARRIER FITTING AS REQUIRED TO BE FURNISHED BY OTHERS.
 PROVIDE SUITABLE REINFORCEMENT FOR ALL WALL SUPPORT.

IMPORTANT: Dimensions of fixtures are nominal and may vary within the range of tolerances established by ANSI Standard A112.19.2. These measurements are subject to change or cancellation. No responsibility is assumed for use of superseded or voided pages

COMMERCIAL TOILET SEATS

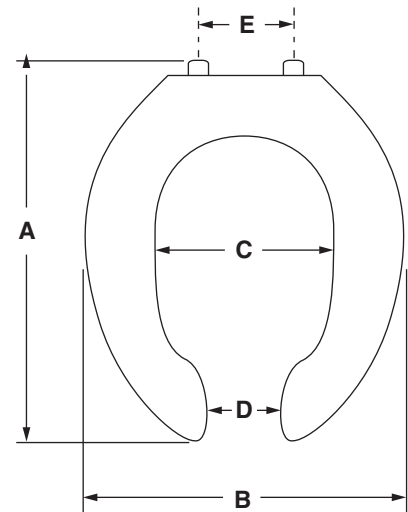
- 5901.100** Elongated Heavy Duty bowl open front seat less cover
- 5901.100SS** Same as 5901.100 with self-sustaining hinge
- 5901.110T** Same as 5901.100 with EverClean® Surface
- 5901.110T5** Master Pack of 5 - 5901.110T seats individually boxed and labeled for easy sell through

- Open front toilet seat less cover
- Injection molded solid polypropylene
- Fits elongated bowl
- Features large molded-in bumpers
- External check hinge with 304 Series stainless steel hinge posts stops seat 11° beyond vertical
- EverClean® silver-based surface permanently inhibits the growth of stain and odor causing bacteria, mold and mildew on the surface. EverClean® surface does not protect against disease causing bacteria.



5901

| | |
|-----------------------------------|------------------|
| Model # | 5901 |
| A | 18-9/16" (471mm) |
| B | 14-3/8" (365mm) |
| C | 7-7/8" (200mm) |
| D | 3-1/2" (89mm) |
| E | 5-1/2" (140mm) |
| Ring Thickness | 7/8" (22mm) |
| Ring Thickness with Bumper | 1" (25mm) |



To Be Specified:

- Color: White