

American Standard

Installation Instructions

ENFIELD

DECK-MOUNT BATH FILLER with EverClean™ Finish

Congratulations on purchasing your American Standard faucet with EverClean finish found only on American Standard faucets.

EverClean Finish

- One wipe effortlessly removes spots
- Eliminates the need for cleaners and scrubbing
- Permanent surface protectant remains beautiful for the life of the faucet
- EverClean™ available on: Polished Chrome, Satin Nickel, Stainless Steel, Polished Brass (or any combination of these finishes)

To ensure that your installation proceeds smoothly-please read these instructions carefully before you begin.

IMPORTANT NOTICE TO INSTALLER!

Please check with local Code Authority for the installation requirements of this product. Some codes require an additional temperature mixing valve to limit the maximum hot water temperature *and vacuum breaker (for products with hand spray)* to be installed with this product.

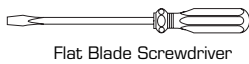
2373.900
2373.920
2373.901
2373.921



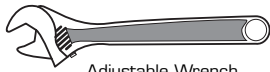
Certified to comply with ANSI A112.18.1M

M968288 Rev. 1.1

Required Tools



Flat Blade Screwdriver



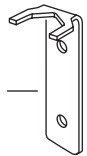
Adjustable Wrench



Channel Locks

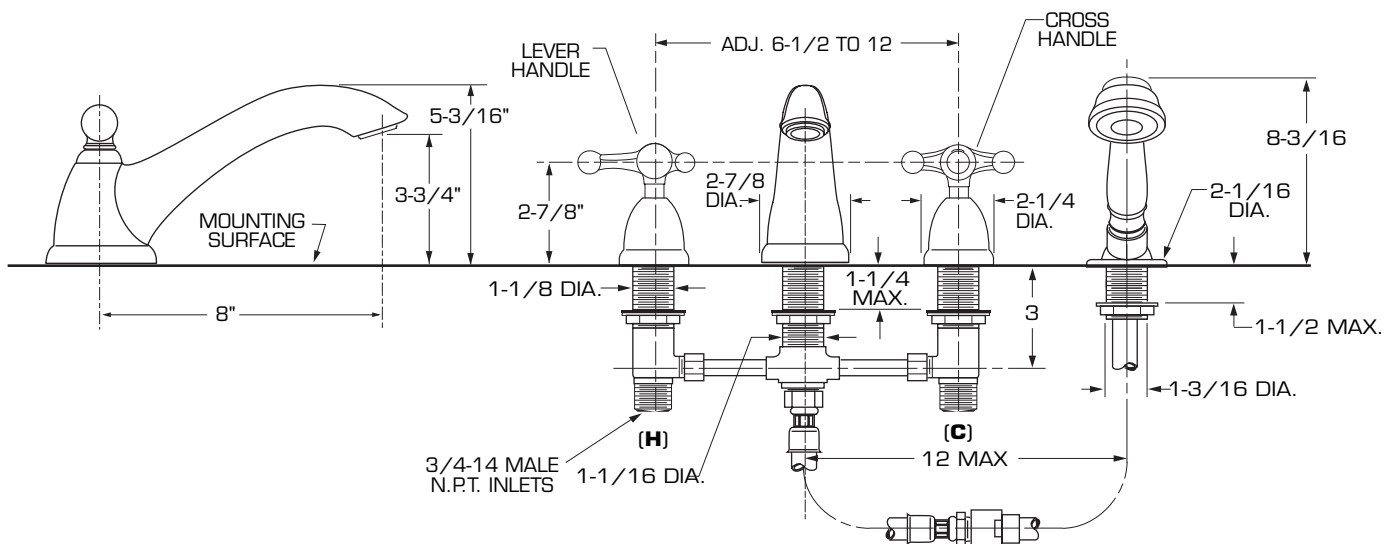


*Hex key
*Supplied with Fitting



*Wrench

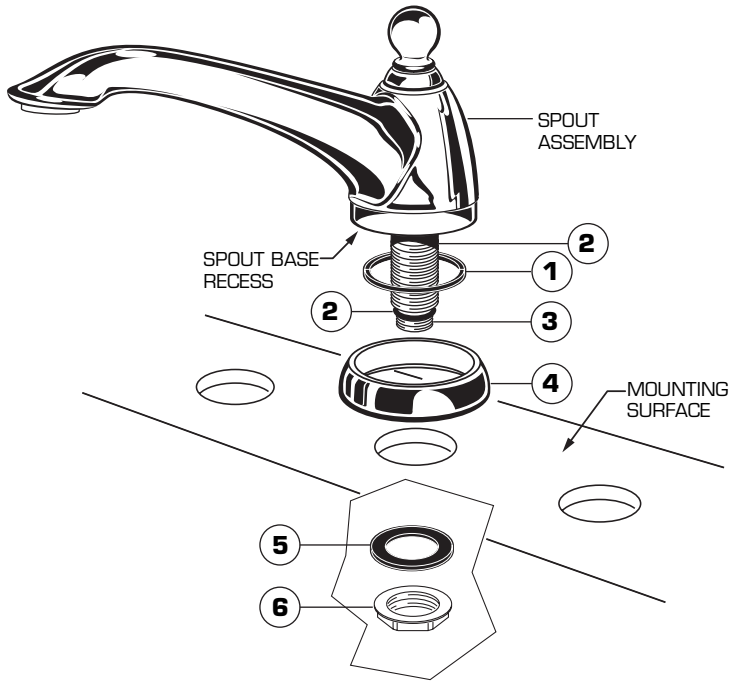
ROUGHING-IN DIMENSIONS



1 SPOUT ASSEMBLY

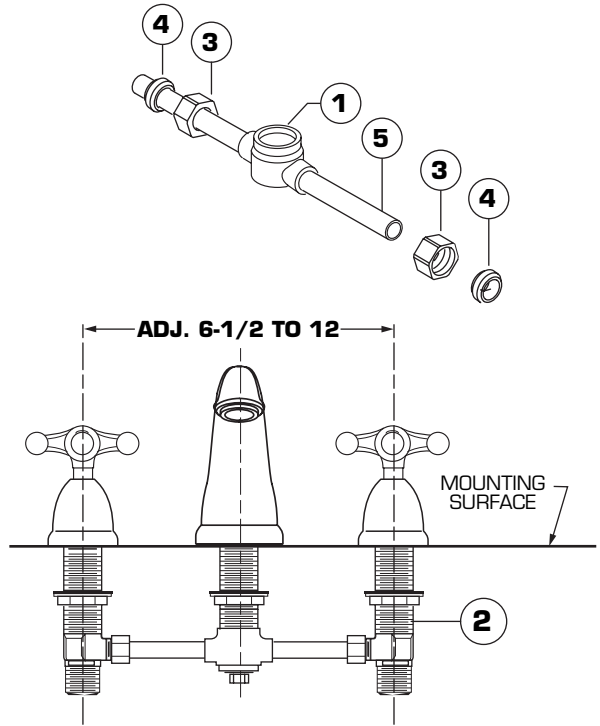
CAUTION Turn off hot and cold water supplies before beginning.

- Install RING WASHER (1) into SPOUT BASE recess. Check that O-RING (2) on end of SPOUT SHANK (3) is in place. Insert SPOUT SHANK (3) through SPOUT ESCUTCHEON (4) and into center hole on mounting surface.
- Assemble RUBBER WASHER (5) and LOCKNUT (6) onto SPOUT SHANK (1). Align SPOUT ASSEMBLY and from underside of ledge secure SPOUT ASSEMBLY into position with LOCKNUT (6).



2 PREPARE TUBE AND TEE ASSEMBLY

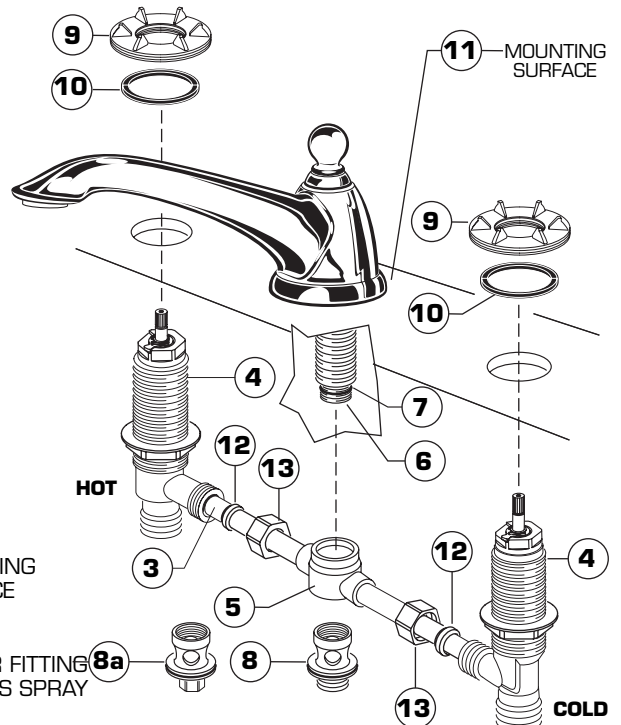
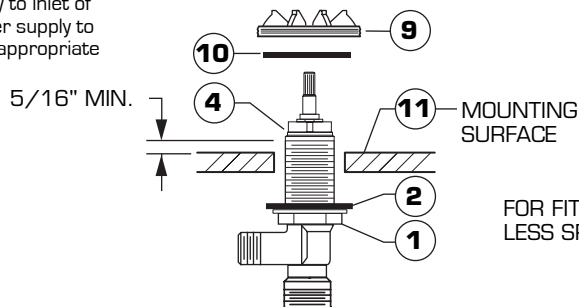
- Prepare TUBE and TEE ASSEMBLY (1) to fit center to center VALVE (2) location (between 6-1/2" and 12"). If necessary, cut and/or bend TUBING carefully. Make sure tube bend is close to the TEE (1) so that it will not effect the compression joint at the VALVE CONNECTION.
- Remove COUPLING NUT (3) and FERRULE (4) from each VALVE (2) and slide onto TUBING (5).



NOTE VALVE inlet is 3/4-inch NPT male.

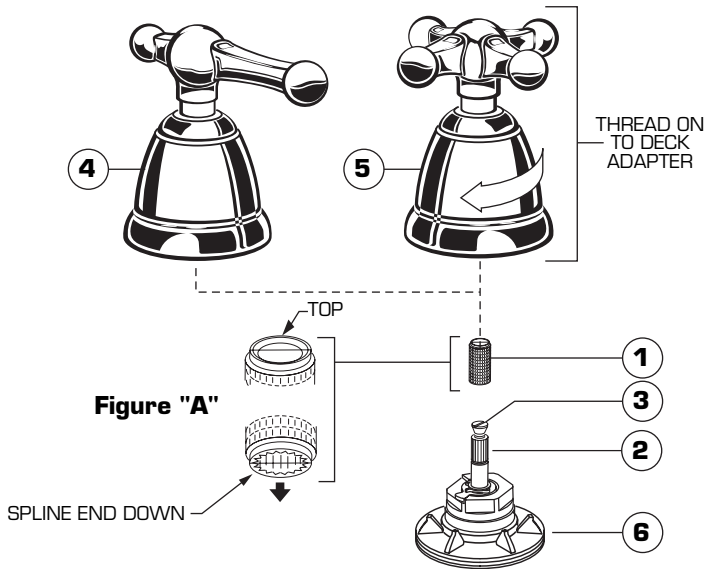
3 VALVE ASSEMBLY

- Install LOCKNUTS (1) and RUBBER WASHERS (2) onto valve shanks.
- Push TUBING (3) ends into VALVE (4) side outlets. Insert VALVES (4) into mounting holes from underside of ledge.
- Press TEE (5) onto SPOUT SHANK (6) making certain that the O-RING (7) is properly seated on SHANK (6). Push COUPLING (8 or 8a) into TEE (5) and attach to SPOUT SHANK (6) and tighten. **Note: For product with Hand Shower, COUPLING (8) is tightened using a 10mm (3/8") Hex Wrench.**
- Thread of VALVE BODY (4) should extend at least 5/16 inch above MOUNTING SURFACE (11). If necessary, adjust LOCKNUT (1).
- Place RUBBER RING (10) into ESCUTCHEON ADAPTERS (9) and thread onto valves until snug against internal stop.
- Tighten LOCKNUT (1) to secure VALVE (4) position.
- Slide FERRULE (12) and COUPLING NUT (13) to outlet of VALVE (4) and tighten COUPLING NUT (13) firmly.
- Connect HOT water supply to inlet of left VALVE and COLD water supply to inlet of right VALVE using appropriate connector.



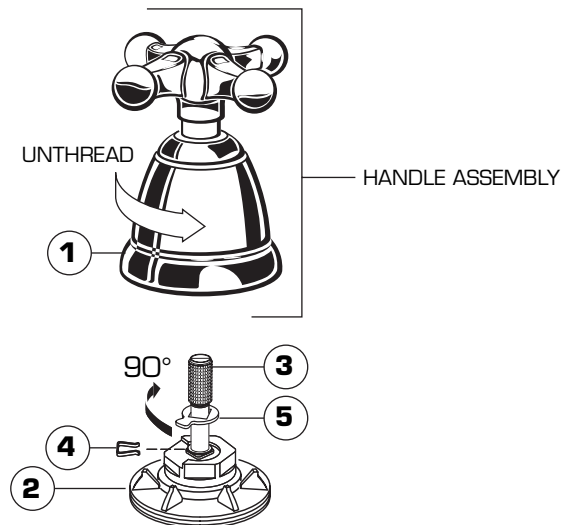
4 INSTALL HANDLES

- Push ADAPTER (1) on VALVE STEM (2), so that the hole of the ADAPTER (1) without a spline is facing up. See figure "A". Tighten STEM SCREW (3) to secure ADAPTER (1).
- Find correct position of LEVER HANDLE ASSEMBLY (4) or CROSS HANDLE ASSEMBLY (5) by adjusting male teeth on ADAPTER (1) to female teeth in HANDLE (4, 5).
- Thread LEVER HANDLE ASSEMBLY (4) or CROSS HANDLE ASSEMBLY (5) onto DECK ADAPTER (6) until snug against mounting surface.



5 SERVICE

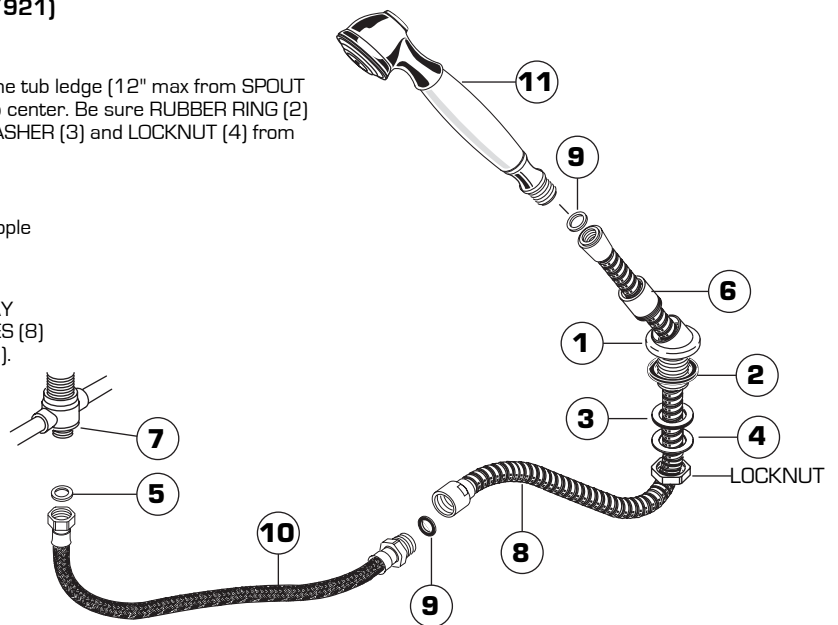
- To change direction of handle rotation, proceed as follows:
 - Turn valve to OFF position. Unthread HANDLE BASE (1) from DECK ADAPTER (2).
 - Pull HANDLE ASSEMBLY off VALVE STEM (3).
 - Remove SPRING CLIP (4). Lift STOP WASHER (5), turn 90° and replace. Replace SPRING CLIP (4).
 - Find correct position of HANDLE ASSEMBLY by adjusting male teeth on VALVE STEM (3) to female teeth in HANDLE.
 - Thread HANDLE ASSEMBLY onto DECK ADAPTER (2) until snug against mounting surface.



6 HANDSHOWER INSTALLATION (FOR 2373.901/921)

- Drop SPRAY ESCUTCHEON (1) through the fourth hole of the tub ledge (12" max from SPOUT center) with SPRAY ESCUTCHEON (1) directed towards tub center. Be sure RUBBER RING (2) is properly seated in ESCUTCHEON (1). Install RUBBER WASHER (3) and LOCKNUT (4) from underside of ledge.
- Secure SPRAY ESCUTCHEON (1) by tightening LOCKNUT.
- Add SEAL WASHER (5) and connect HOSE (10) to outlet nipple at the bottom of COUPLING (7), on the SPOUT SHANK (6). Tighten firmly.
- Slip SHOWER HOSE (8) with COUPLING NUT through SPRAY ESCUTCHEON (1). Install SEALS (9) and connect both HOSES (8) and (10). Connect HAND SHOWER (11) to SPRAY HOSE (8).

NOTE When not in use, HANDSHOWER should be seated in the HOLDER.



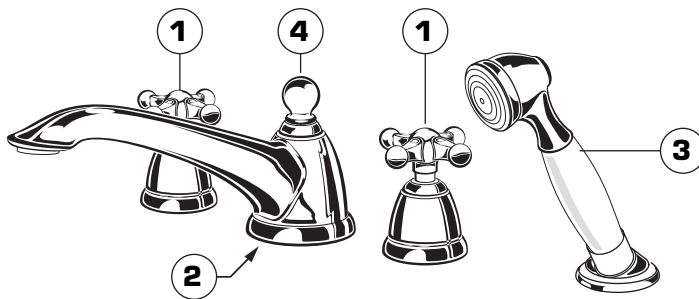
7

TEST INSTALLED FAUCET

CAUTION

The flow rate of this Tub Filler exceeds 20 gallons/minute at higher water pressure. Do not fill bathtub unattended.

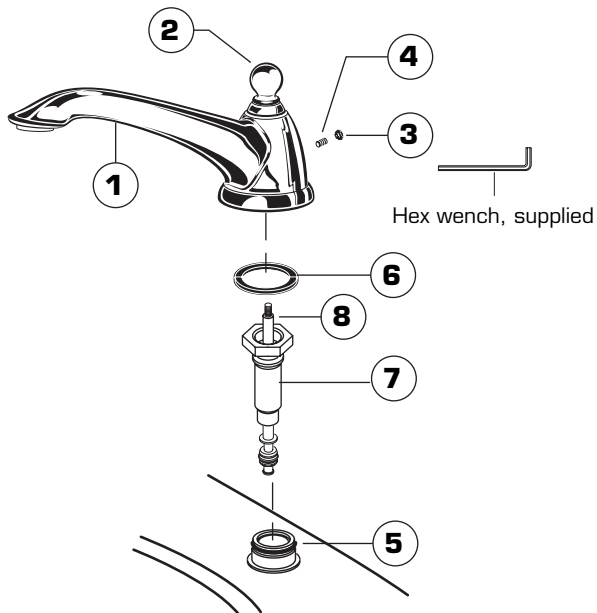
- Turn VALVES (1) to "off" position.
- With handles in "off" position, turn on water supplies and check all connections for leaks.
- Operate both handles and flush water lines thoroughly.
- Check SPOUT (2) mounting for leaks.
- Lift HAND SHOWER (3) from holder, direct spray into tub, lift TRANSFER KNOB (4) to check HAND SHOWER (3) and HOSES for leaks.
- Turn VALVES "off."
- If spout drips, operate handles several times from OFF to ON position. Do not force - handles turn only 90°.



8

Before the bathroom is completely finished, you may want to remove spout, hand shower, and handles.

- To remove handles, reverse steps in section 4.
- To remove SPOUT (1), proceed as follows:
 - Lift TRANSFER ROD (8) and unscrew KNOB (2).
 - Remove PLUG BUTTON (3) and remove SET SCREW (4) using 5mm hex wrench supplied.
 - Lift SPOUT (1) off SHANK (5) carefully and remove RUBBER RING (6).
 - Unscrew SHANK SLEEVE (7) and lift TRANSFER ROD (8) from SHANK (5).
 - Reverse sequence to re-install SPOUT (1). Be sure RUBBER RING (6) is properly seated in its recess at the base of SPOUT (1). Make certain SET SCREW (5) is properly aligned and tight so that SPOUT (1) is locked in place.



9

EverClean™ Finish Care Instructions

American Standard's EverClean finish will wipe clean with a soft, dry cloth. A soft cloth with clean water may also be used, if desired. No additional cleaning products are required.

DO NOT USE: Soaps, acid, polish, abrasives, harsh cleaners, or a cloth with a coarse surface.



HOT LINE FOR HELP
 For toll-free information and answers to your questions, call:
 1 (800) 442-1902
 Weekdays 8:00 a.m. to 8:00 p.m. EST
 IN MEXICO 01-800-839-12-00
 IN CANADA 1-800-387-0369 (TORONTO 1-905-306-1093)
 Weekdays 8:00 a.m. to 7:00 p.m. EST