

*American Standard*

# TOWNSQUARE ACCESSORIES

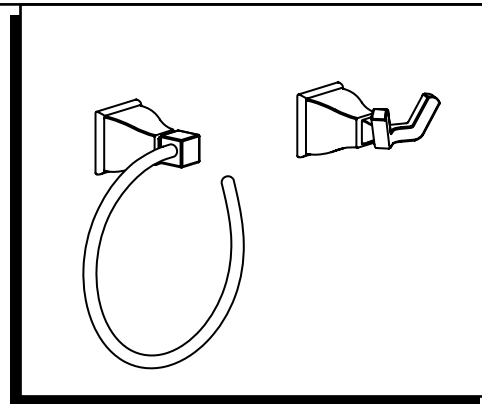
## TOWEL RING DOUBLE ROBE HOOK

*Thank you for selecting American-Standard...the benchmark of fine quality for over 100 years.*

*To ensure that your installation proceeds smoothly—please read these instructions carefully before you begin.*

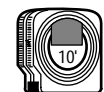
# Installation Instructions

2555.021  
2555.041

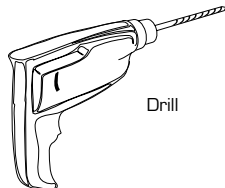


M968231C

### Recommended Tools



Tape Measure



Drill



Regular Screwdriver



Phillips Screwdriver

### CARE INSTRUCTIONS:

**DO: SIMPLY RINSE THE PRODUCT CLEAN WITH CLEAR WATER. DRY WITH A SOFT COTTON FLANNEL CLOTH.**

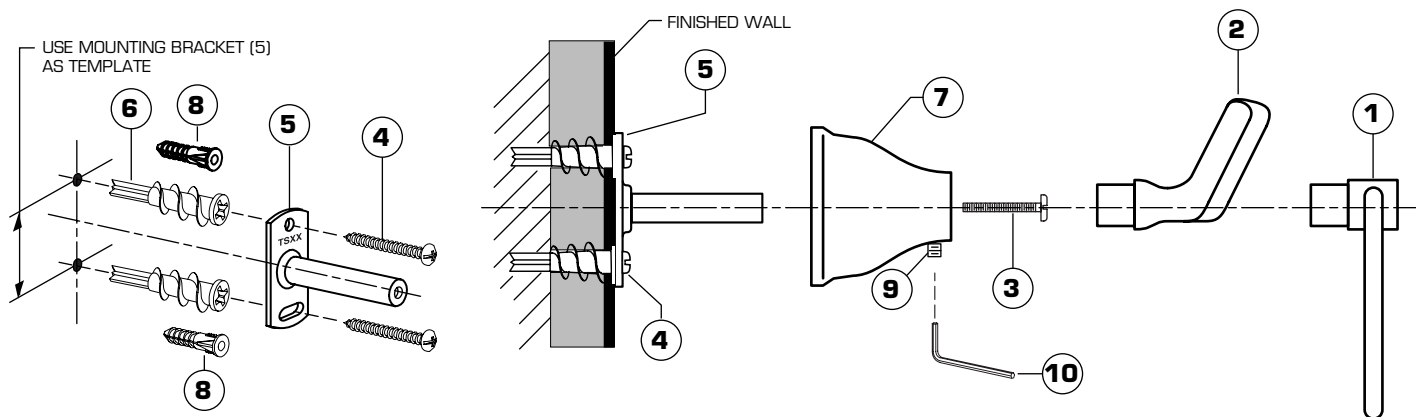
**DO NOT: CLEAN THE PRODUCT WITH SOAPS, ACID, POLISH, ABRASIVES, HARSH CLEANERS, OR A CLOTH WITH A COARSE SURFACE.**

## 1 TOWEL RING and ROBE HOOK MOUNTING & INSTALLATION

- The TOWEL RING (1) and DOUBLE ROBE HOOK (2) work best if secured to a wall stud or cross brace within the wall, using the SCREWS (4) supplied.
- If the TOWEL RING (1) and DOUBLE ROBE HOOK (2) are to be installed on a tile or plaster wall, the ANCHORS (8) and SCREWS (4) should be used.
- Determine desired height and location (optional) and mark a center line. Using the MOUNTING PLATE (5) as a template mark the two spots for the mounting holes. If MOUNTING PLATE (5) is secured to a stud or cross brace drill small pilot holes for SCREWS (4).
- **For installations on drywall**, use DRYWALL ANCHORS (6) and SCREWS (4) for securing MOUNTING PLATE (5) to wall. Place #2 Phillips screwdriver or cordless screwdriver into recess of anchor. Press into drywall while turning the anchor clockwise until it is seated flush with the wall. Place MOUNTING PLATE (5) over DRYWALL ANCHORS (6) and insert screws provided with #2 Phillips screwdriver. See illustration below. Secure MOUNTING PLATE (5) to wall with SCREWS (4).
- **For installations on tiled walls**, if TILE ANCHORS (8) and SCREWS (4) are use for securing MOUNTING PLATE (5), then drill two 1/4" diameter holes a minimum of 1-1/4" deep. Insert the two TILE ANCHORS (8) flush with face of the finished wall.
- Secure MOUNTING PLATE (5) to wall with WOOD SCREWS (4).

## 2 INSTALL TOWEL RING AND ROBE HOOK

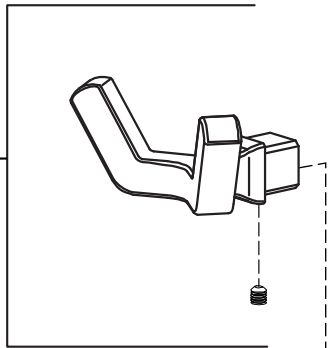
- Place ESCUTCHEON (7) onto MOUNTING BRACKET (5), and secure with ATTACHMENT SCREW (3).
- Install the TOWEL RING (1) or DOUBLE ROBE HOOK (2) into WALL ESCUTCHEON (7).
- Tighten SET SCREW (9) using 2-1/2mm HEX KEY (10) supplied to secure assembly to ESCUTCHEON (7).



**2555.021  
2555.041**

**DOUBLE ROBE HOOK**

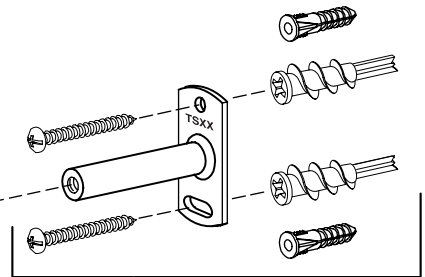
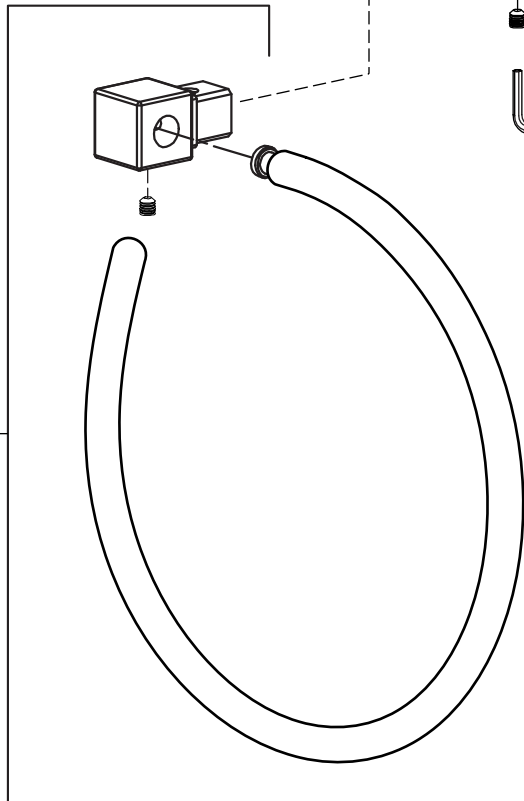
**M962116-YYY0A**  
ROBE HOOK



**A918486-0070A**  
ATTACHMENT SCREW

**TOWEL RING**

**M962115-YYY0A**  
TOWEL RING



**M962118-0070A**  
MOUNTING BRACKET

**M962117-YYY0A**  
ESCUTCHEON

Replace the "YYY" with appropriate finish code

CHROME	002
POLISHED BRASS (PVD)	099
SATIN (PVD)	295



**HOT LINE FOR HELP**  
For toll-free information and answers to your questions, call:  
1-800-442-1902  
Weekdays 8:00 a.m. to 8:00 p.m. EST  
IN CANADA 1-800-387-0369 (TORONTO 1-905-306-1093)  
Weekdays 8:00 a.m. to 7:00 p.m. EST

Product names listed herein are trademarks of American Standard Inc.  
© American Standard Inc. 2002