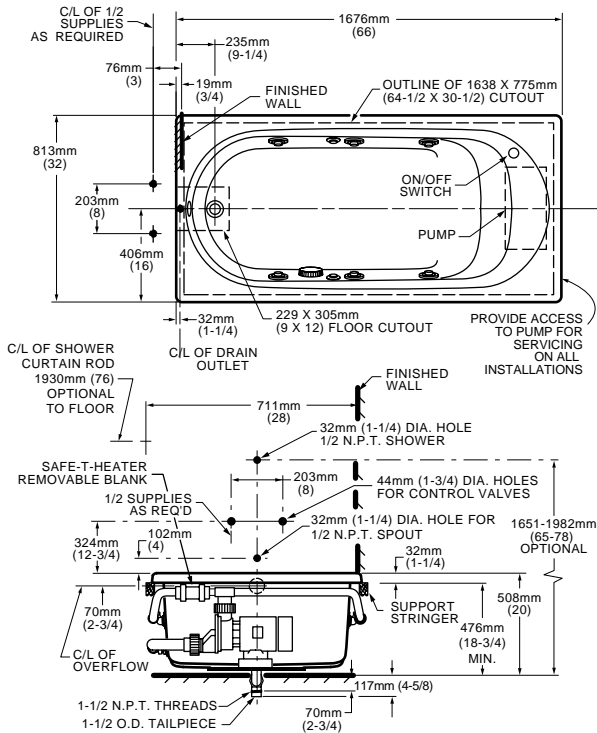


**WHIRLPOOL/BATHING POOL
 INSTALLATION INSTRUCTIONS**



GENERAL SPECIFICATIONS FOR 2470 WHIRLPOOL	
INSTALLED SIZE	66 x 32 x 20 In. (1676 x 813 x 508mm)
WEIGHT	201 Lbs. (90 Kg.)
WEIGHT w/WATER	701 Lbs. (315 Kg.)
GAL. TO OVERFLOW	60 Gal. (227 L)
WHIRLPOOL MIN. OPERATING VOL.	40 Gal. (152 L)
BATHING WELL AT SUMP	42 x 19 In. (1067 x 483mm)
BATHING WELL AT RIM	60 x 27 In. (1524 x 686mm)
WATER DEPTH TO OVERFLOW	14 In. (356mm)
FLOOR LOADING (PROJECTED AREA)	55 Lbs./Sq.Ft. (223 Kgs./Sq.m)
PTS.	13.9
CUBE (FT³)	33.7
WHIRLPOOL ELECTRICAL SPECIFICATIONS	
SYSTEM I PUMP	1.6 HP, 9.7 AMPS, 120V.

GENERAL INSTALLATION INFORMATION

Carefully uncrate and inspect your new bath for any shipping damage. If such damage is found, report it to your vendor immediately.

After inspection and during installation, protect the bath from construction damage. After installation, and before enclosing with wallboard, tile, etc., water test the unit and check for leaks.

Do not make modifications to the whirlpool system or remove pump from factory mounting. This could adversely affect the safety and performance of the whirlpool and void the warranty. Do not handle or move the whirlpool by the pump, motor, or piping system.

Fittings (bath filler, shower arm, etc.) are not provided with the bath and must be ordered separately. Framing and enclosing materials are provided by others. Check for availability of optional American Standard wall tiling bead (required for recess installations).

Protect all finished surfaces of the whirlpool during construction and installation using a drop cloth.

WARNING! Do not lift whirlpool by the piping harness at any time.

FOR AFTER-SALES SERVICE CALL 1 (800) 442-1902 WEEKDAYS.

THANK YOU...

for selecting an American Standard bath. Your new bath is shipped to you after careful inspection. The whirlpool version is completely assembled with pump, motor, and system piping. All you need to finish the installation are your selected fittings and electrical connections for a whirlpool.

To insure maximum performance and pleasure from this product, please follow the instructions and cautions.

List of Optional Components (not included):

- Safe-T-Heater 9075.120*
- Tile Bead Kit 751755-100*

* see your American Standard Distributor

List of Required Components (not included):

- Drain 1583.470*
- Bath Filler*

* see your American Standard Distributor

List of Required Tools and Supplies:

Tools

- Level
- Tape Measure
- Pipe Wrench
- Slip Joint Pliers
- Screw Driver
- Standard Woodworking Tools
- Personal Safety Equipment
- Caulking Gun

Supplies

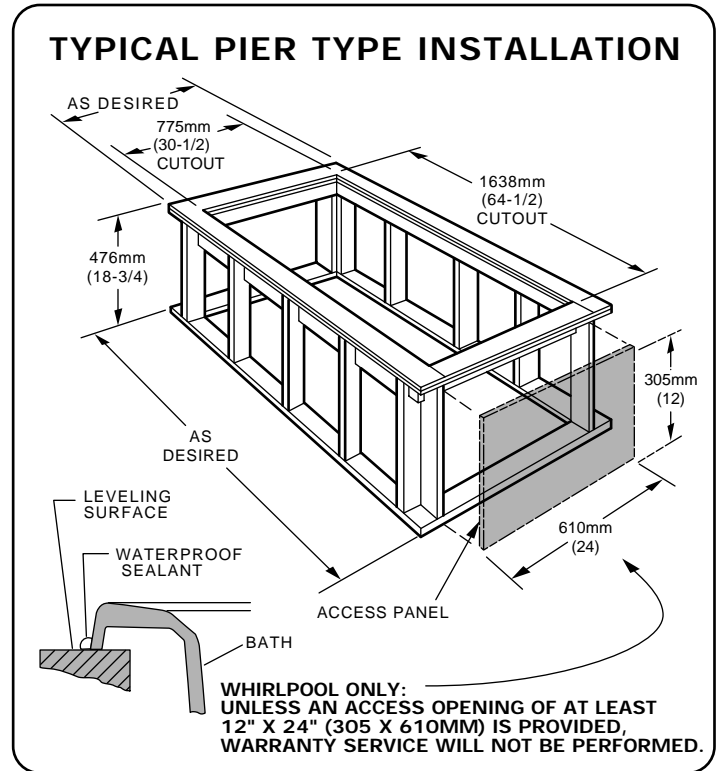
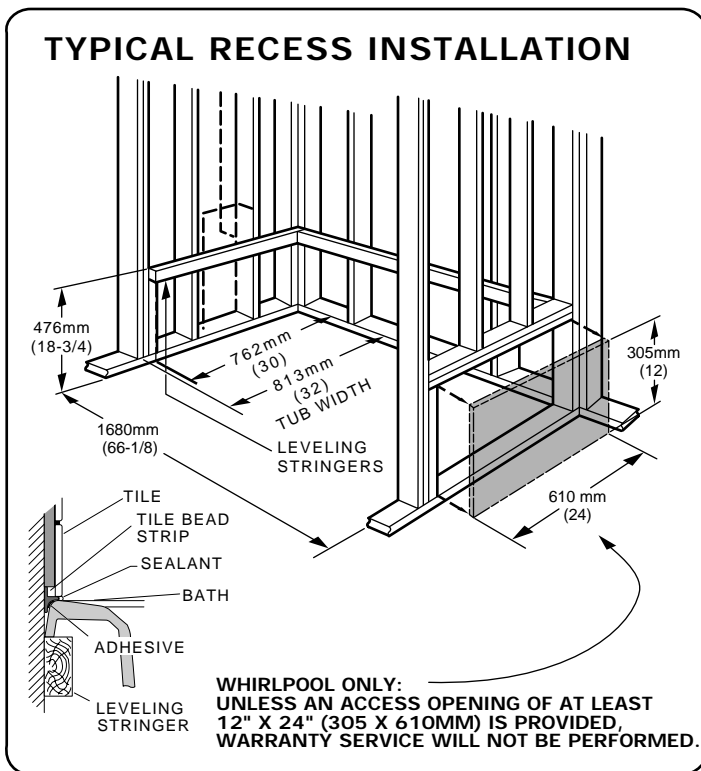
- Nails
- Putty
- Caulking (waterproof)
- 1 x 3 or 2 x 4 Stringers
- Drop Cloth
- 15 amp GFCI Outlet
- Cement, Plaster, Grout

FRAMING AND INSTALLATION

THE VARIETY OF INSTALLATIONS POSSIBLE FOR THIS BATH MAY REQUIRE FRAMING PROCEDURES OTHER THAN THOSE SHOWN.

LOCATE STUDS AS REQUIRED. INSURE ROUGH DIMENSIONS ARE PROPER, PLUMB AND SQUARE. **FOR WHIRLPOOLS, PROVISION MUST BE MADE IN ALL INSTALLATIONS FOR AN ACCESS OPENING FOR SERVICING PUMP AND CONTROLS.**

STRINGER OR PIER HEIGHT SHOULD BE AS INDICATED. **NO** ADDITIONAL SUMP SUPPORT IS REQUIRED. ANY FINISH MATERIAL, SUCH AS TILE OR WALLBOARD, MUST BE SELF SUPPORTING IF IT CONTACTS THE RIM OF BATH.



ELECTRICAL INSTALLATION INSTRUCTIONS

All wiring must be performed by a licensed electrician in accordance with the national electrical code and all other applicable codes.

WARNING:

When using electrical products, basic precautions should always be observed, including the following:

1. DANGER: RISK OF ELECTRIC SHOCK

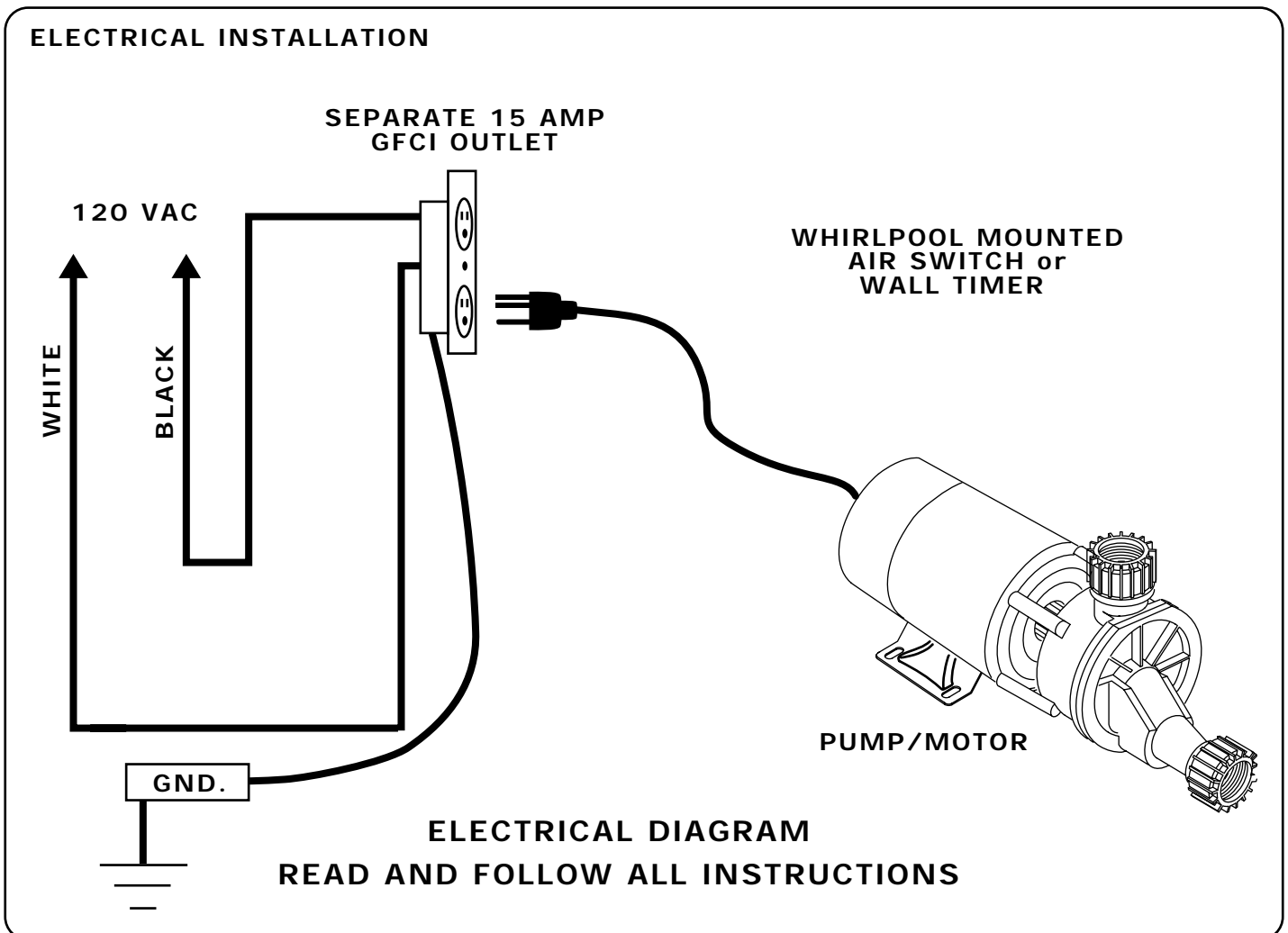
Connect only to a circuit protected by a ground-fault circuit interrupter.

2. Grounding is required. The unit should be installed by a licensed electrician and grounded.

3. Install to permit access for servicing.

4. All building materials and wiring should be routed away from the pump body and heater (if equipped).

The whirlpool should be installed on a 120 vac, 15 amp dedicated circuit. The circuit should be hard-wired from the electrical power supply panel. The circuit must be a three (3) wire circuit from the electrical supply panel. A grounded neutral wire and a third wire, earth ground, are essential. **ADDING THE SAFE-T-HEATER REQUIRES A SEPARATE 15 AMP MAXIMUM GFCI CIRCUIT.**



WIRE SELECTION GUIDE

Motor Hi-Performance Rating	Maximum distance from fusebox to motor			
	50'	100'	150'	200'
1.6	120V Power Line			
	12	12	10	8

The sizes shown on this chart are recommendations for copper conductors only. Always follow local and national electrical codes

DRAIN CONNECTION AND SYSTEM TEST

Using recommended drain opening, connect whirlpool drain to waste line. Tighten all drain joints securely. Check the pump couplings and make sure they are hand-tight. Clean the whirlpool and fill with water to a point 2" above the top of the highest jet. Recheck the pump couplings and make certain that they are not leaking. (Although the pump couplings are factory tightened and inspected, some loosening may have occurred during transit.) Make sure the whirlpool is connected to the electrical supply and turn the whirlpool on. Check for leaks around all piping connections while the whirlpool is running.

POST INSTALLATION CLEAN-UP

Remove all construction debris from bath. Tile grout can be removed with a wooden popsicle stick or tongue depressor. Do not use wire brushes or any other metal implement on bath surface.

Post installation clean-up generally can be completed using warm water and liquid dishwashing detergent. Stubborn dirt or stains may be removed using granular Spic and Span[®] mixed with water.

Painter's naphtha can be used to remove excess adhesives and/or wet oil-base paint.

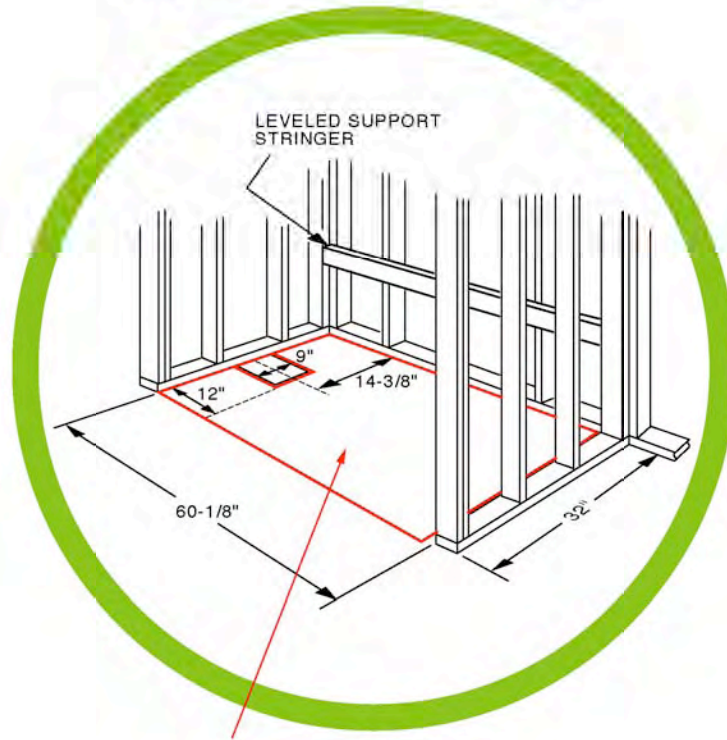
HARSH CHEMICALS SHOULD NEVER BE USED ON ENAMEL SURFACES.

Abrasive cleaners must not be used since they will scratch and dull the surface. Dulled areas can be restored by rubbing with a white automotive-type polishing compound and waxing with a liquid wax.

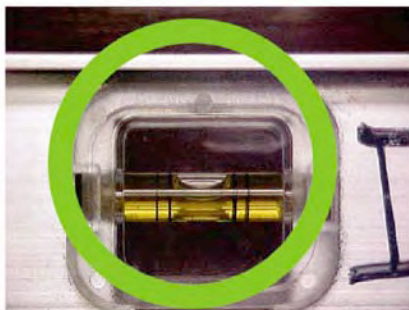
American Standard

Americast Baths Models 2390 & 2391

1. Prepare Proper Rough In Opening.



2. Make Sure Floor Is Level



American Standard

Americast Baths Models 2390 & 2391

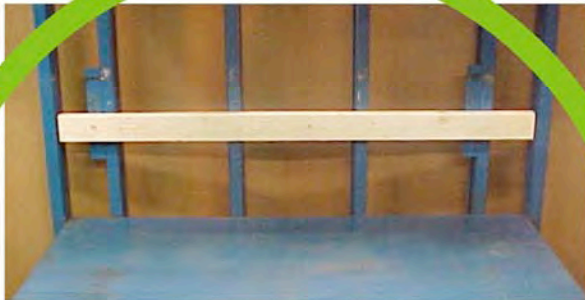
3. Do Not Cement Drain In Place.



Drain assembly well.

• **NOTE:** See **STEP 12**

4. Use The Proper - Full Length - Support Stringer.



2"x4"



1"x2"

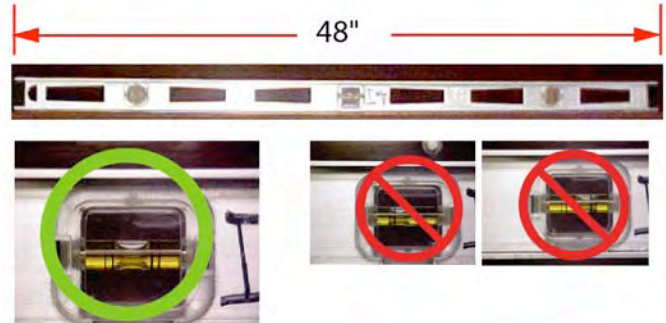
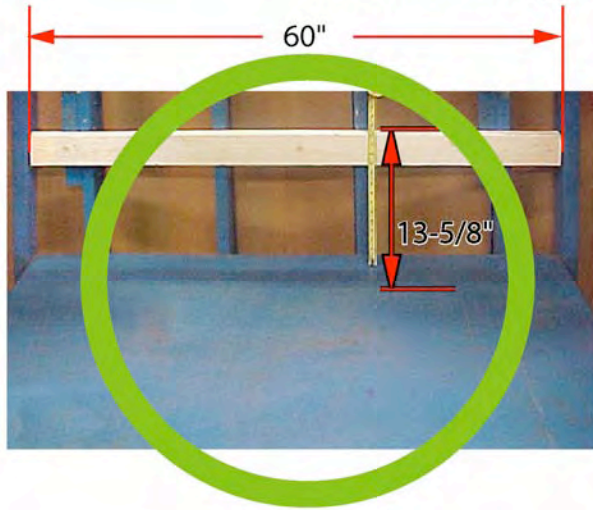


4"x4"

American Standard

Americast Baths Models 2390 & 2391

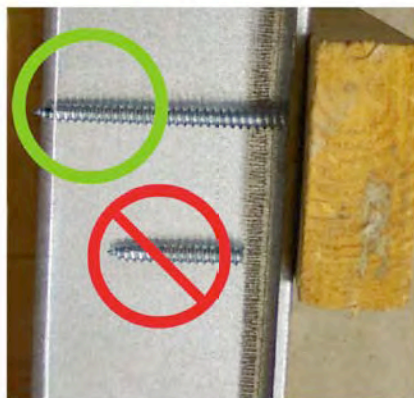
5. Install Level Support Stringer At Proper Height.



6. Securely fasten the stringer to the studs.



7. Use appropriate screws when attaching the stringer to a metal stud.

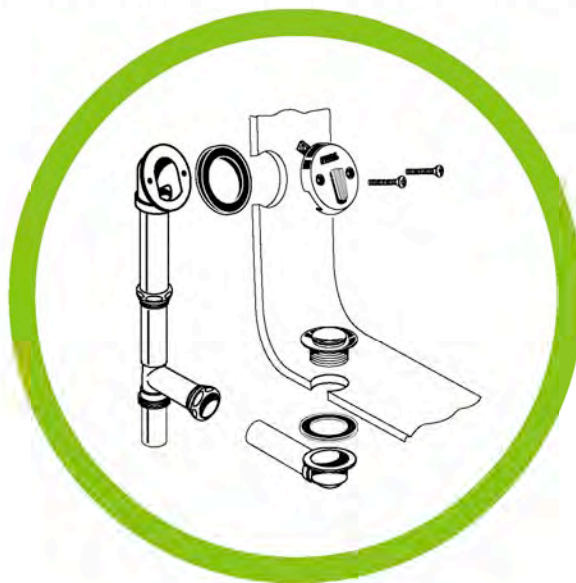


Americast Baths Models 2390 & 2391

8. Inspect Tub Prior To Installation.



9. Install Overflow And Drain Assembly Per Manufacturer's Instructions.
Use Plumber's Putty On Drain (A) To Ensure A Watertight Seal.



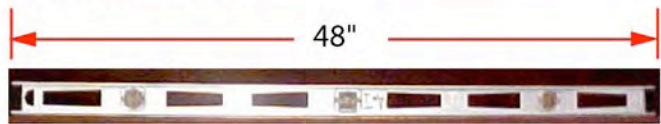
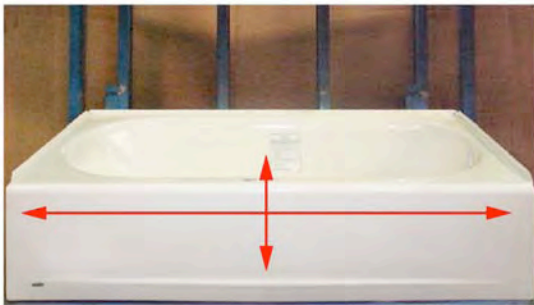
American Standard

Americast Baths Models 2390 & 2391

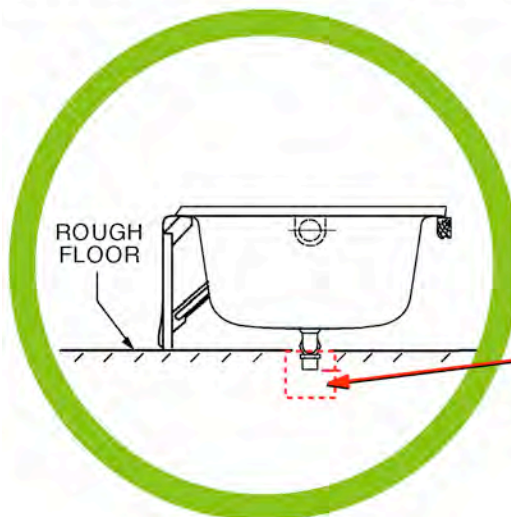
10. Do Not Use Bedding Material Or Try To Flow Skim Coat Under Tub.



11. Make Sure Installed Tub Is Level.



12. Tub Should NOT be Touching The Floor.

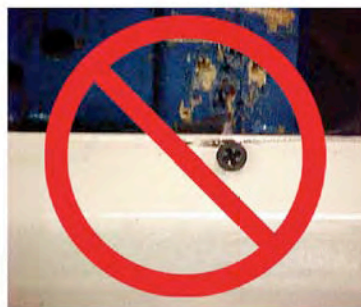
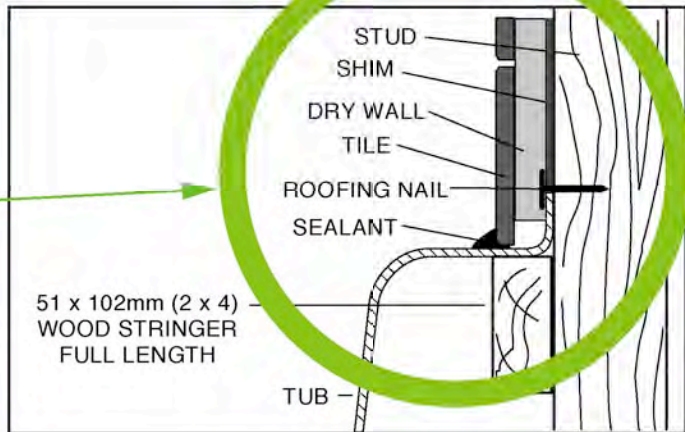
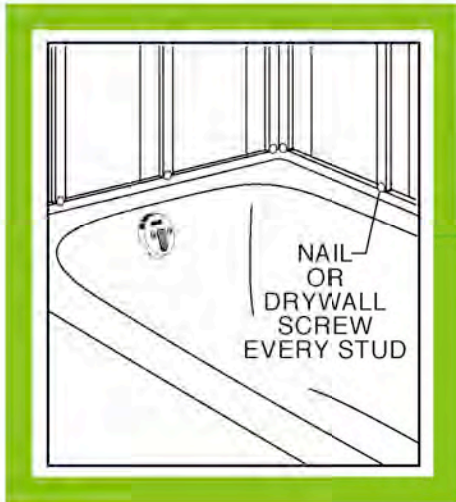


1" minimum clearance from floor of drain well to bottom of Tee.

American Standard

Americast Baths Models 2390 & 2391

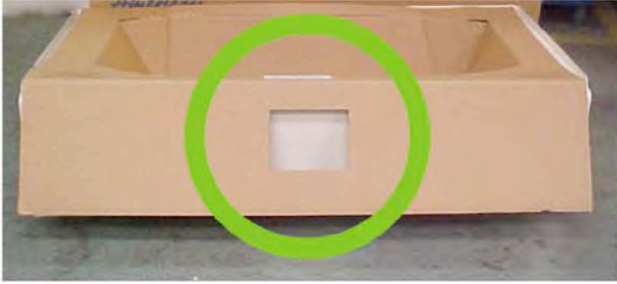
13. Properly Secure The Tub In Place.



American Standard

Americast Baths Models 2390 & 2391

14. Protect The Tub From Damage.



15. Do Not Clean With Abrasives Or Strong Acid.



16. Use Approved Cleaners.



American Standard

**Americast Baths
Models 2390 & 2391**

WARRANTY

AMERICAST® LIMITED LIFETIME WARRANTY

If an American-Standard Americast® brand product is found to be defective in materials or workmanship, after inspection by an authorized American-Standard representative, American-Standard will repair or, at its option, exchange the product for a similar model. This warranty extends for the lifetime of the product, so long as it remains in use in its original place of installation, except that the warranty applies to a bathing vessel's slip-resisting surface only for the first year after the product's initial installation.

This warranty applies only to the original purchaser and installation of these products.

This warranty **does not apply** to whirlpool components or to faucets, drains, mounting rims, grab bars or other accessories. If manufactured or supplied by American-Standard, such whirlpool components and accessories are covered under separate limited warranties.

This warranty **does not apply** to local building code compliance. Since local building codes vary considerably, the purchaser of this product should check with a local building or plumbing contractor to assure local code compliance before installation.

This warranty **shall be void** if the Americast® brand product has been moved from its initial place of installation; if it has been subjected to faulty maintenance, abuse, misuse, accident or other damage; if it was not installed in accordance with American-Standard's instructions; or if it was modified in a manner inconsistent with the product as shipped by American-Standard.

American-Standard's option to repair or exchange the product under this warranty does not cover any labor or other costs of removal or installation, **nor shall American-Standard be responsible for any other incidental or consequential damages attributable to a product defect or to the repair or exchange of a defective product, all of which are expressly excluded from this warranty.** (Some states or provinces do not allow the exclusion or limitation of implied warranties, so this exclusion may not apply to you.)

This warranty gives you specific legal rights. You may have other statutory rights that vary from state to state or from province to province, in which case this warranty does not affect such statutory rights.

For service under these warranties, it is suggested that a claim be made through the contractor or dealer from or through whom the product was purchased, or that a service request (including a description of the product model and of the defect) be sent to the following address:

In the United States:

AMERICAN STANDARD, INC.
P.O. Box 6820
Piscataway, New Jersey 08855
Attn: Director of Consumer Affairs

For residents of the United States, warranty information may also be obtained by calling the following toll free number: (800)442-1902

In Canada:

AMERICAN STANDARD, INC.
2480 Stanfield Road
Mississauga, Ontario Canada L4Y 1S2
Toll Free: (800) 387-0369

In Mexico:

IDEAL STANDARD, S.A. de C.V.
Customer Service Manager
Planta Santa Clara, Via Morelos #330
Santa Clara Coatitla
Ecatepec de Morelos 55540,
Estado de Mexico, Mexico

© American Standard Inc. 2002