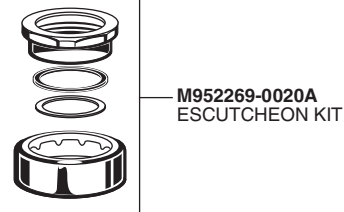
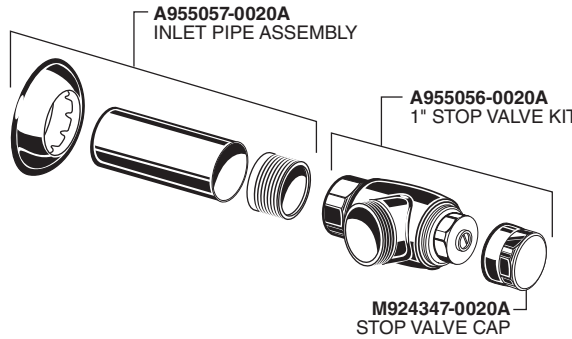
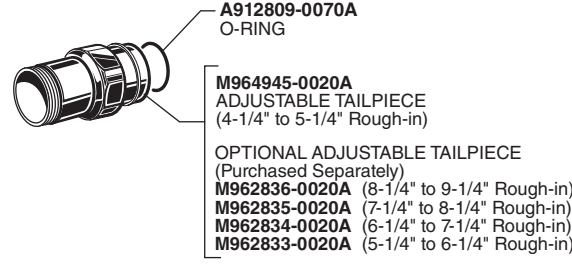
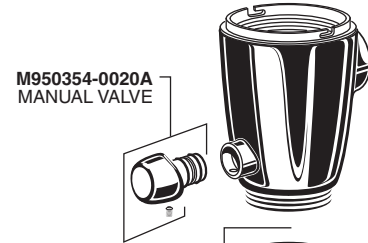
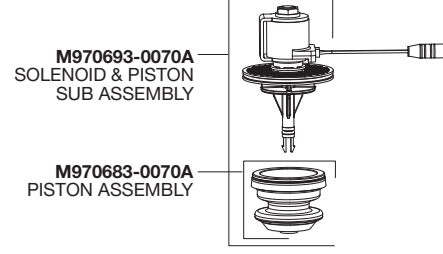
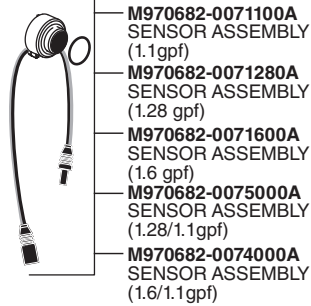
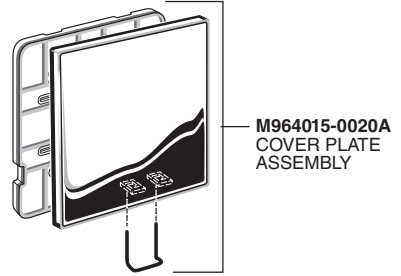
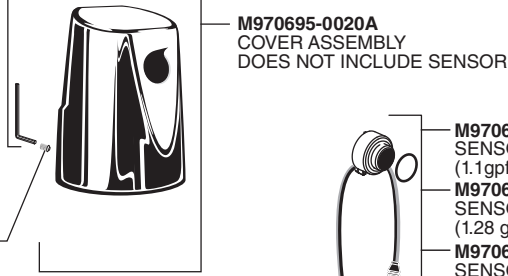
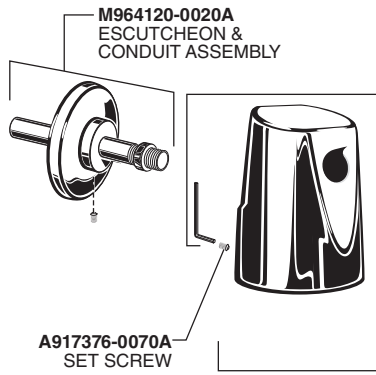


*American Standard*

# Ultima™ Selectronic® Battery Powered Toilet Flush Valve, Piston-Type

MODEL NUMBERS				
606B.111	606B.121	606B.161	606B.721	606B.761



POWER KITS	
<b>Hard-Wired AC</b>	
M950360-0070A CONNECTOR LOCKING DEVICE	
M950511-0070A 10' EXTENSION CABLE	
M950527-0070A POWER SUPPLY	
<b>Multi-AC</b>	
M950512-0070A Y-ADAPTER	
M950511-0070A 10' EXTENSION	

HOT LINE FOR HELP	
For toll-free information and answers to your questions, call:	
(844) CRT-TEAM / (844) 278-8326	
Mon. - Fri. 8:00 a.m. to 8:00 p.m. EST Sat. 10:00 a.m. to 4:00 p.m. EST	
IN MEXICO 01-800-839-1200	
IN CANADA 1-800-387-0369 (TORONTO 1-905-306-1093)	
Weekdays 8:00 a.m. to 7:00 p.m. EST	
Product names listed herein are trademarks of AS America, Inc. ©2021	
To learn more about American Standard Selectronic® Products visit our website at: <a href="http://www.americanstandard-us.com">www.americanstandard-us.com</a> or e-mail us at: <a href="mailto:CRTEAM@lixilamericas.com">CRTEAM@lixilamericas.com</a>	

PART OF LIXIL