

Walk-in Bath 28" x 48" Soaking Tub, Air Spa And Whirlpool

2848.100.SXX Soaking Tub

- Gel coat and fiberglass construction.
- Free standing metal support frame with five adjustable leveling feet
- Easy access door system
- Contoured, built-in seat.
- Built-in grab bar and textured bottom.
- Faucet / accessory deck areas.
- Color match cable driven drain assembly.

2848.100.WXX Whirlpool system

- Electronic control with timer.
- 1 HP variable flow pump system.
- 12 adjustable massage jets with
- Automatic Tub Cleaning System - Ozone.

2848.100.AXX Air Spa system

- Electronic control with timer.
- 1 HP variable flow heater blower.
- Multiple seat and floor air injectors.
- Automatic purge cycle

2848.100.CXX Combo system

- Combines Whirlpool And Air System



To Be Specified – Required:

- Drain Configuration: Left (L) Or Right (R)
- Color: White (W) Or Linen (L)
- Faucet
- Quick Drain™: 9QUD
- Whirlpool Heater*: 9ILH (Whirlpool System Only)
- Chromatherapy: 9CTP
- Neck Rest: 9NR
- Tub Extender: 9EXT (specify color)

Nominal Dimensions

28" x 48" x 38"

Compliance Certifications

- ETL – INTERTEK SEMKO
- IAPMO - USPC
- ANSI Z 124.1.2 –for Plastic Bathtubs
- ASME A112.19.7 – Whirlpool Appliances
- ASME A112.19.15 –for Walk-in Bathtubs
- CSA B-45.5 – Canadian Plumbing Fixtures

* NOTE: The whirlpool heater is designed to maintain water temperature during operation. It will not heat cold water to desired bathing temperature

SEE REVERSE FOR ROUGHING –IN DIMENSIONS AND PRODUCT SPECIFICATIONS

NOTES:

TUB IS SUPPORTED BY THE FRAME AND FIVE INTEGRATED ADJUSTABLE FEET, NO ADDITIONAL SUPPORT IS REQUIRED.

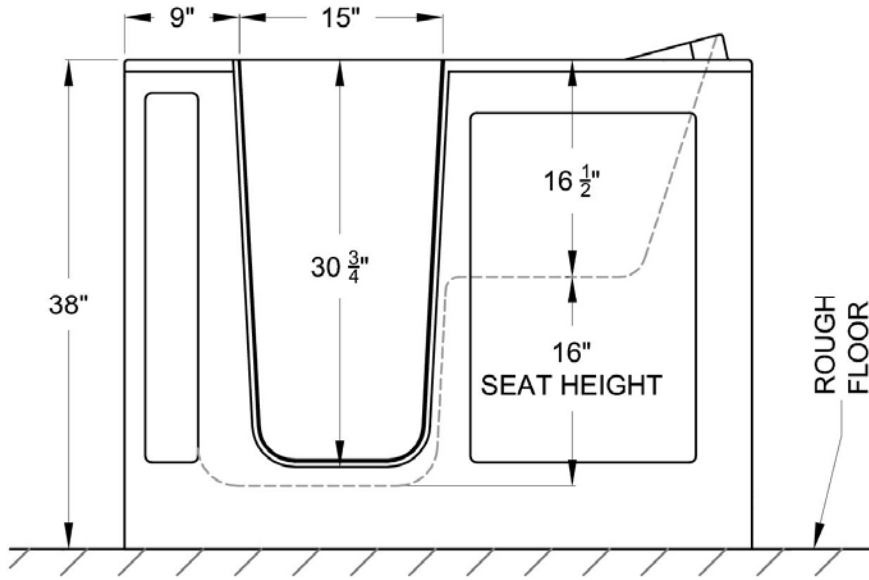
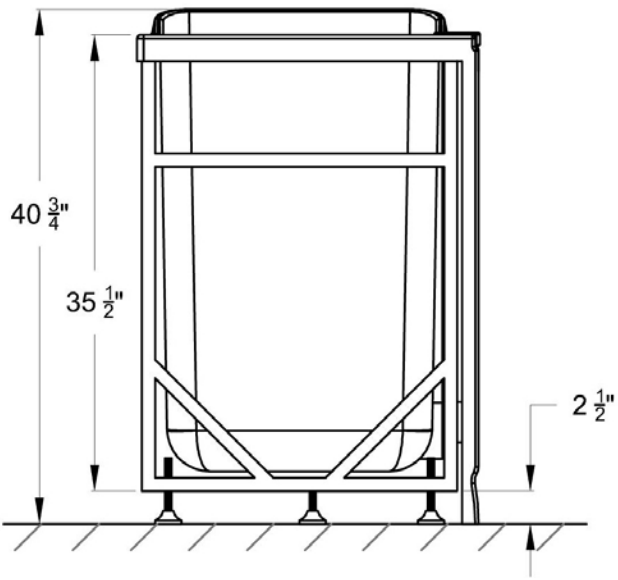
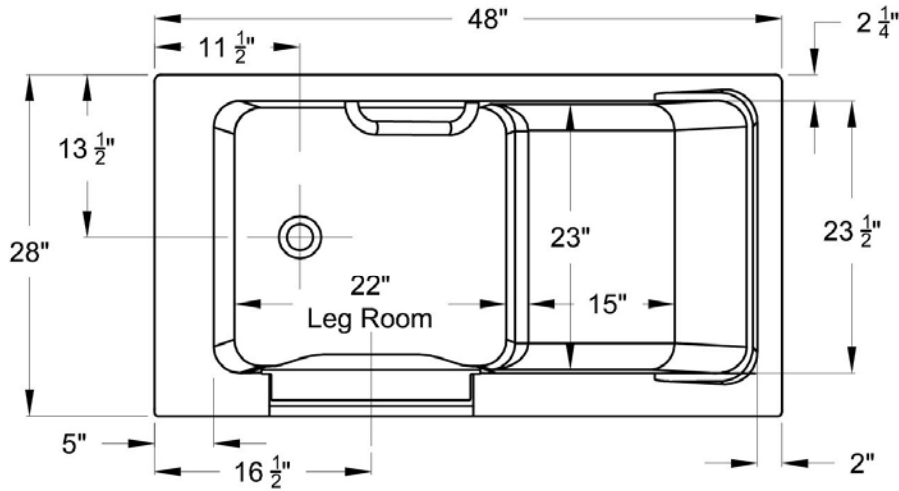
REFER TO INSTALLATION INSTRUCTIONS SUPPLIED WITH TUB FOR ADDITIONAL INFORMATION.

FIXTURES NOT INCLUDED AND MUST BE ORDERED SEPARATELY.

PROVIDE SUITABLE REINFORCEMENT TO SUB FLOOR FOR ALL SUPPORTS.

IMPORTANT:

Dimensions of fixtures are nominal, may vary and are subject to change or cancellation. No responsibility is assumed for use of superseded or voided leaflet



GENERAL SPECIFICATIONS FOR 2848.100.XXX WALK IN BATH TUB	
INSTALLED SIZE	48 x 28 x 40.75 In. (1220 x 711 x 1035 mm)
WEIGHT	150 Lbs. (68 kg)
WEIGHT w/ WATER	525 Lbs. (238 kg)
OPERATING GAL.	45 Gal. (170 L.)
FLOOR LOADING (PROJECTED AREA)	56 Lbs/Sq. Ft (275 Kgs/Sq. m.)
CUBE (FT ³)	31.7