

## INSTALLATION GUIDE FOR

<b>GREEN TEA™</b>	<b>5' x 36"</b>	<b>MODEL 3571</b>
<b>GREEN TEA™</b>	<b>5-1/2' x 36"</b>	<b>MODEL 3572</b>
<b>GREEN TEA™</b>	<b>6' x 36"</b>	<b>MODEL 3573</b>
<b>GREEN TEA™</b>	<b>5' x 42"</b>	<b>MODEL 3574</b>
<b>GREEN TEA™</b>	<b>6' x 42"</b>	<b>MODEL 3575</b>
<b>TOWN SQUARE®</b>	<b>5' x 42"</b>	<b>MODEL 2748</b>
<b>TOWN SQUARE®</b>	<b>6' x 42"</b>	<b>MODEL 2742</b>
<b>ELLISSE</b>	<b>OVAL</b>	<b>MODEL 2709</b>

## COMBINATION WHIRLPOOL AND AIR BATH SYSTEMS WITH CHROMATHERAPY LIGHTS

### **THANK YOU...**

for selecting an American Standard bath. Your new bath is shipped to you after careful inspection. The Air Massage System is completely assembled with air pump, motor, lights, and system piping. All you need to finish the installation are your selected fittings and electrical connections for an Air Massage System.

To insure maximum performance and pleasure from this product, please follow the instructions and cautions.

FOR AFTER-SALES SERVICE CALL 1 (800) 442-1902 WEEKDAYS.

© AS America, Inc. 2009

All product names listed herein are trademarks of AS America, Inc. unless otherwise noted.

**TABLE OF CONTENTS:**

Cover.....Page 1

Table of Contents.....Page 2

Safety Instructions Notice.....Page 3

Roughing-in Reference.....Page 4 - 12

Installation and Framing Instructions.....Page 13 - 16

Supplied Drain Assembly and Installation Instructions.....Page 16 - 20







Post Installation Instructions.....Page 21

Remote Blower Location Option.....Page 22

Warranty.....Page 23

# IMPORTANT SAFETY INSTRUCTIONS

## READ AND FOLLOW ALL INSTRUCTIONS!

-  **WARNING: Risk of personal injury.** Do not permit children to use this bathtub without adult supervision.
-  **WARNING: Risk of electric shock.** Do not permit electrical appliances near any bathtub when bathtub contains water.
-  **WARNING: Risk of hyperthermia and possible drowning.** People using medications and/or having adverse medical history should consult a physician before using this product.
-  **WARNING: Risk of personal injury.** Do not overfill bathtub before entering. Entering tub when filled more than 2/3 can cause overflow and slippery conditions. Exercise caution when entering and exiting.
-  **WARNING: No Food or Alcoholic Beverages.** Use of your bathtub immediately after meals is not recommended. Avoid alcohol consumption before or during bathing. Alcoholic beverages can cause drowsiness or hyperthermia resulting in loss of consciousness or even drowning.
-  **WARNING: Pregnancy.** If you are or think you may be pregnant, consult your physician before using the bathtub.

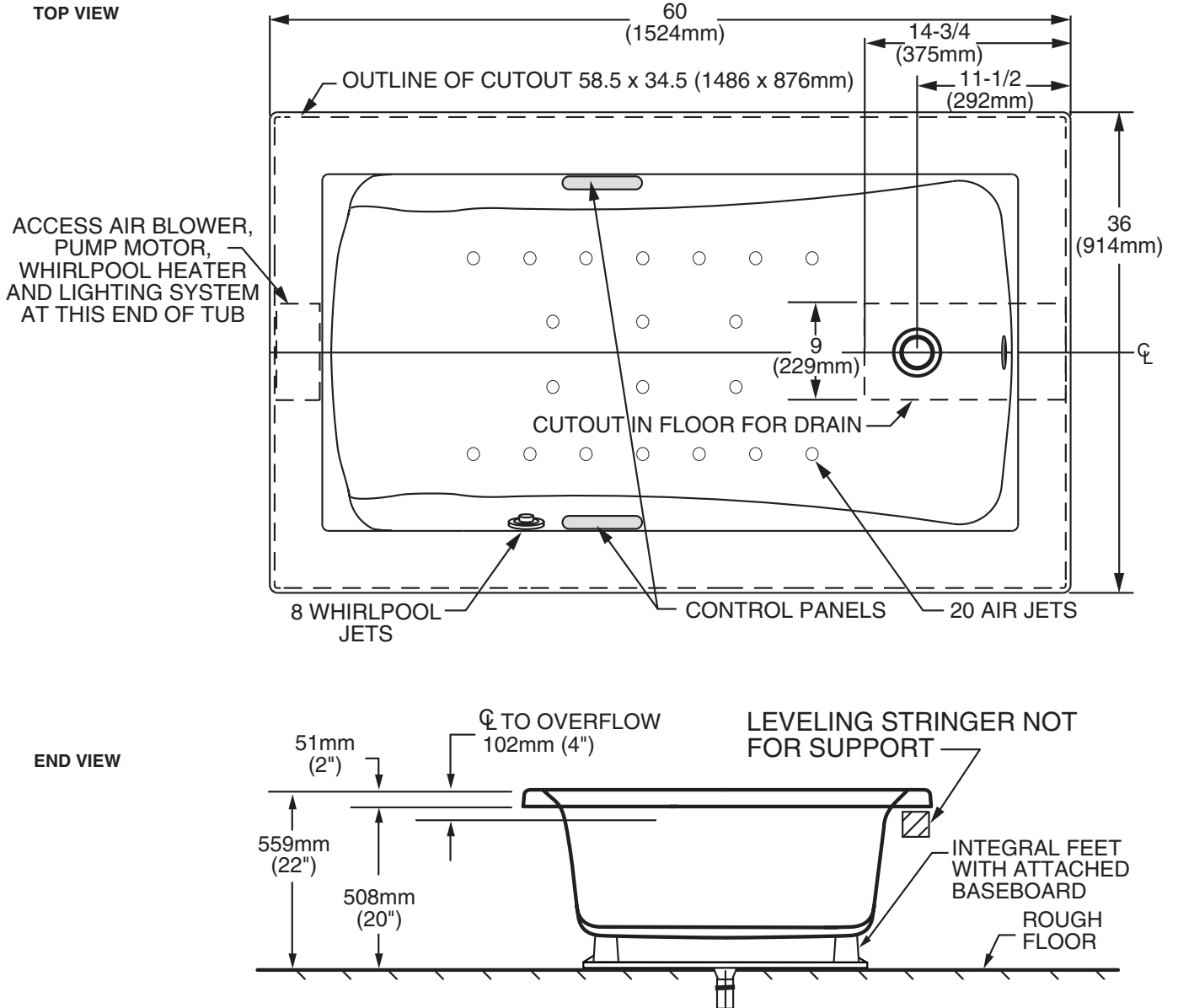
Use this unit only for its intended use as described in this manual. Do not use any attachments not recommended by American Standard.

The unit must be connected only to a supply circuit that is properly protected by a ground-fault circuit-interrupter (GFCI). Such a GFCI should be provided by the installer and should be tested on a routine basis. To test the GFCI, push the test button. The GFCI should interrupt power. Push the reset button. Power should be restored. If the GFCI fails to operate in this manner, the GFCI is defective. If the GFCI interrupts power to the bathtub without the test button being pushed, a ground current is flowing, indicating the possibility of an electric shock. Do not use this air bath. Disconnect the air bath and have the problem corrected by a licensed electrician before using.

## SAVE THESE INSTRUCTIONS

## ROUGHING-IN REFERENCES

### GREEN TEA™ 5' x 36" MODEL 3571 COMBINATION SYSTEM



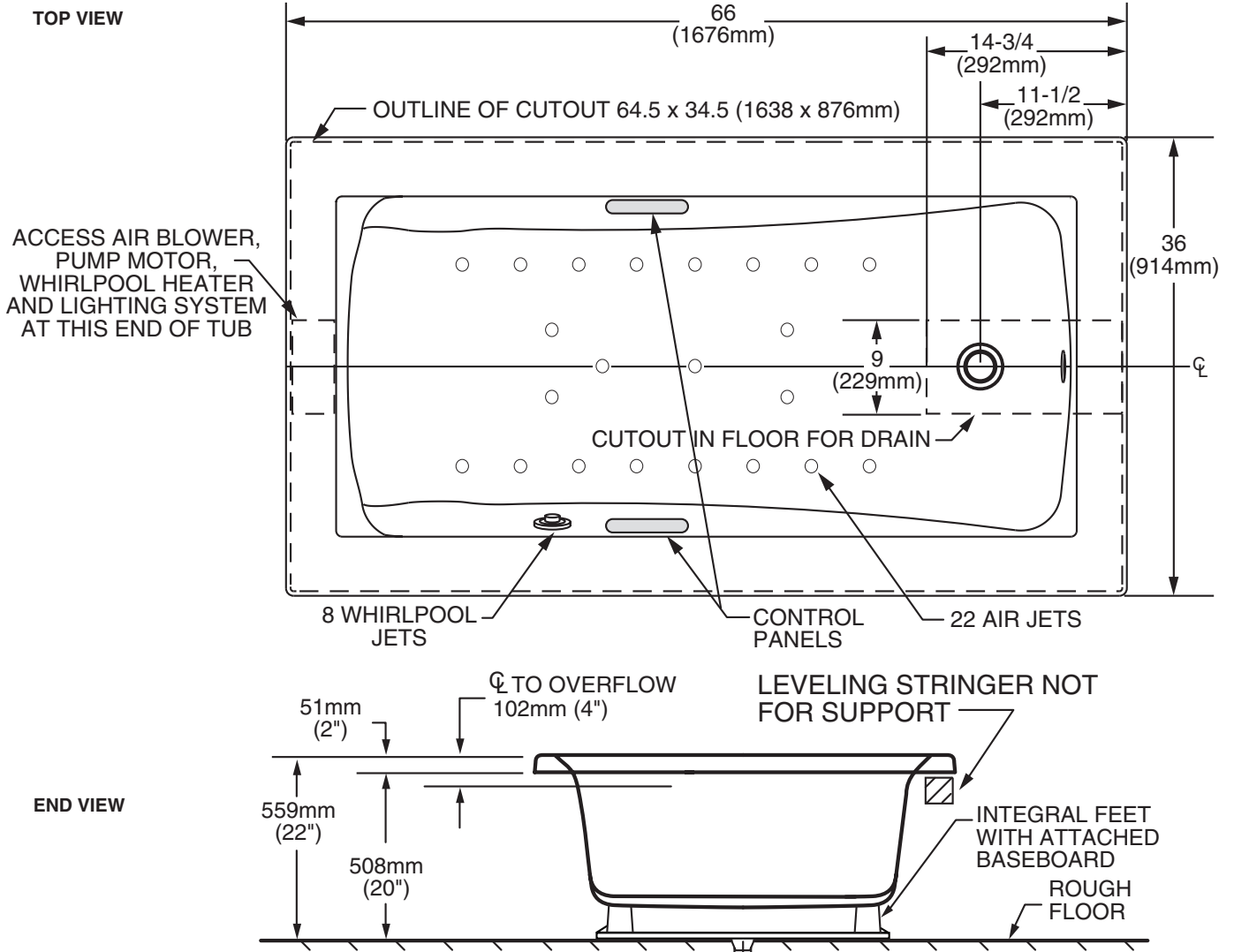
**NOTE:**

INSTALLER MUST PROVIDE 12 X 24 ACCESS OPENING FOR SERVICING AIR BLOWER, PUMP MOTOR, WHIRLPOOL HEATER, AND LIGHTING SYSTEM.

THIS MODEL INCLUDES A DRAIN ASSEMBLY. OTHER DRAIN ASSEMBLIES CANNOT BE USED. REVIEW DRAIN INSTALLATION DETAILS IN THE DOCUMENT TO FULLY UNDERSTAND FLOOR CUTOUT REQUIREMENTS.

## ROUGHING-IN REFERENCES

### GREEN TEA™ 5-1/2' x 36" MODEL 3572 COMBINATION SYSTEM



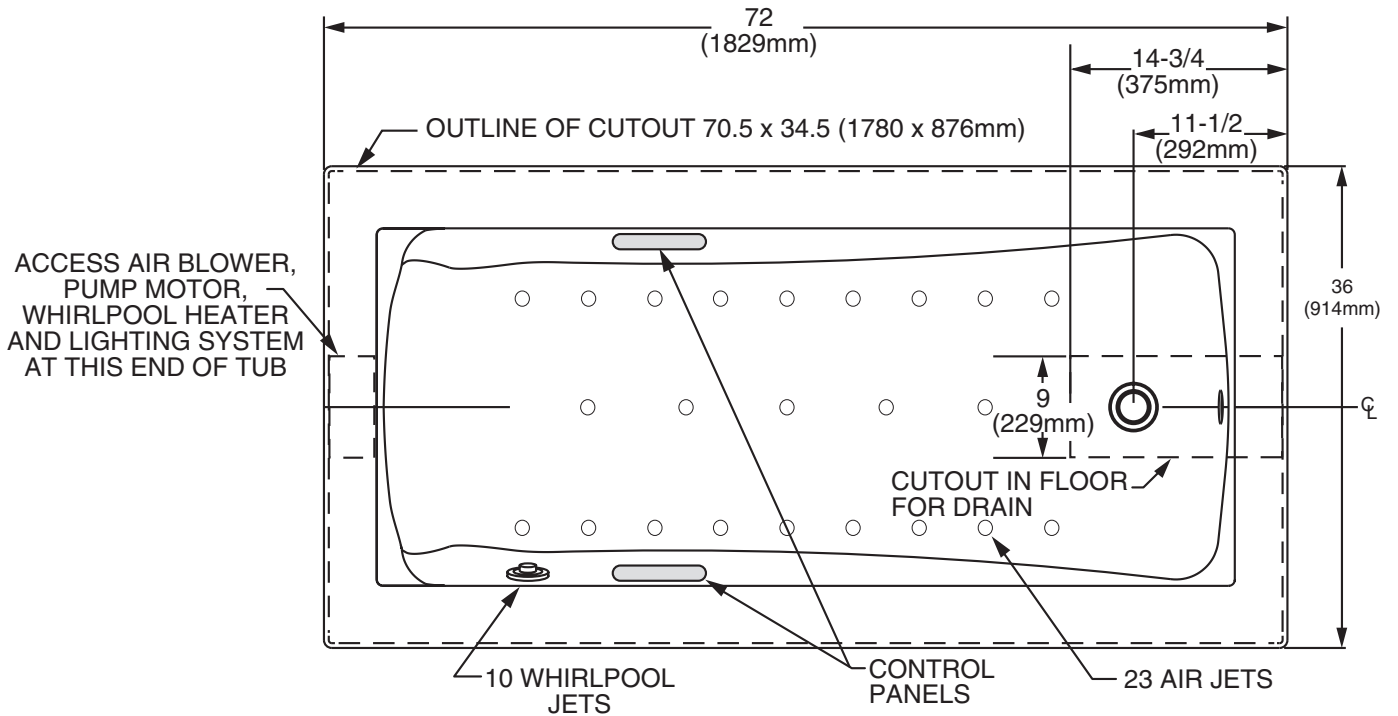
**NOTE:**  
INSTALLER MUST PROVIDE 12 X 24 ACCESS OPENING FOR SERVICING AIR BLOWER, PUMP MOTOR, WHIRLPOOL HEATER, AND LIGHTING SYSTEM.

THIS MODEL INCLUDES A DRAIN ASSEMBLY. OTHER DRAIN ASSEMBLIES CANNOT BE USED. REVIEW DRAIN INSTALLATION DETAILS IN THE DOCUMENT TO FULLY UNDERSTAND FLOOR CUTOUT REQUIREMENTS.

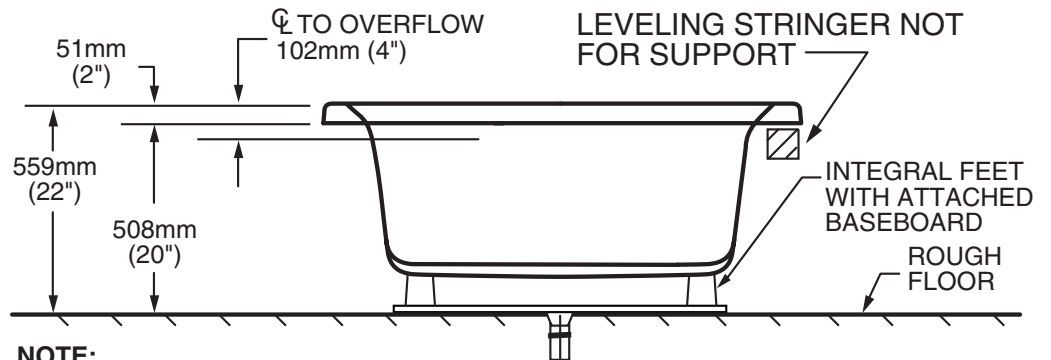
## ROUGHING-IN REFERENCES

### GREEN TEA™ 6' x 36" MODEL 3573 COMBINATION SYSTEM

#### TOP VIEW



#### END VIEW



**NOTE:**

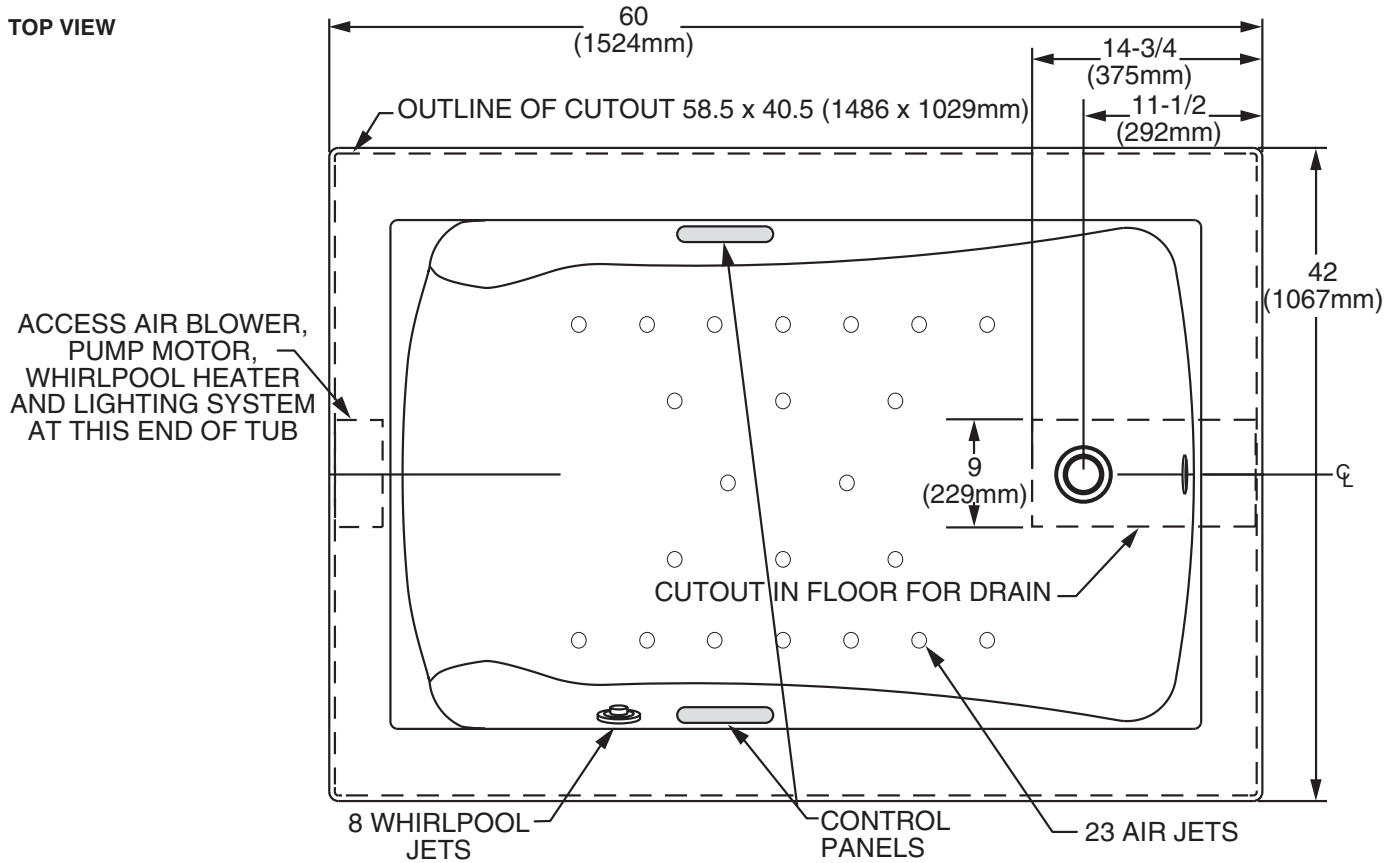
INSTALLER MUST PROVIDE 12 X 24 ACCESS OPENING FOR SERVICING AIR BLOWER, PUMP MOTOR, WHIRLPOOL HEATER, AND LIGHTING SYSTEM.

THIS MODEL INCLUDES A DRAIN ASSEMBLY. OTHER DRAIN ASSEMBLIES CANNOT BE USED. REVIEW DRAIN INSTALLATION DETAILS IN THE DOCUMENT TO FULLY UNDERSTAND FLOOR CUTOUT REQUIREMENTS.

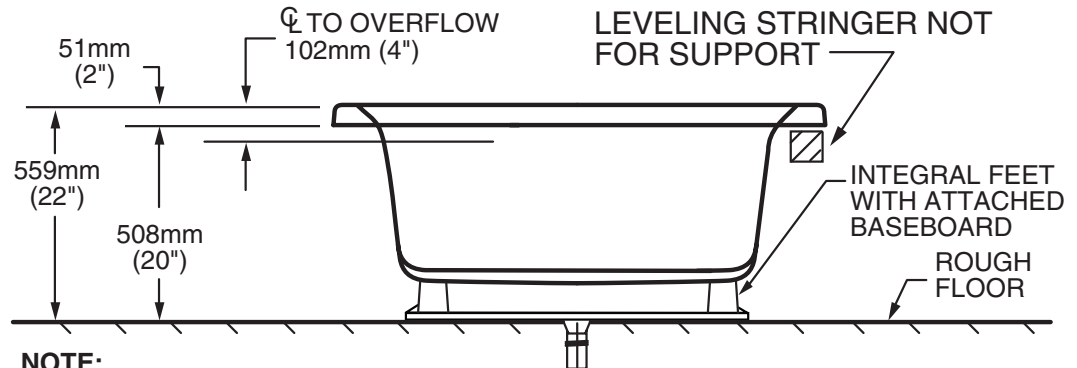
## ROUGHING-IN REFERENCES

### GREEN TEA™ 5' x 42" MODEL 3574 COMBINATION SYSTEM

TOP VIEW



END VIEW



**NOTE:**

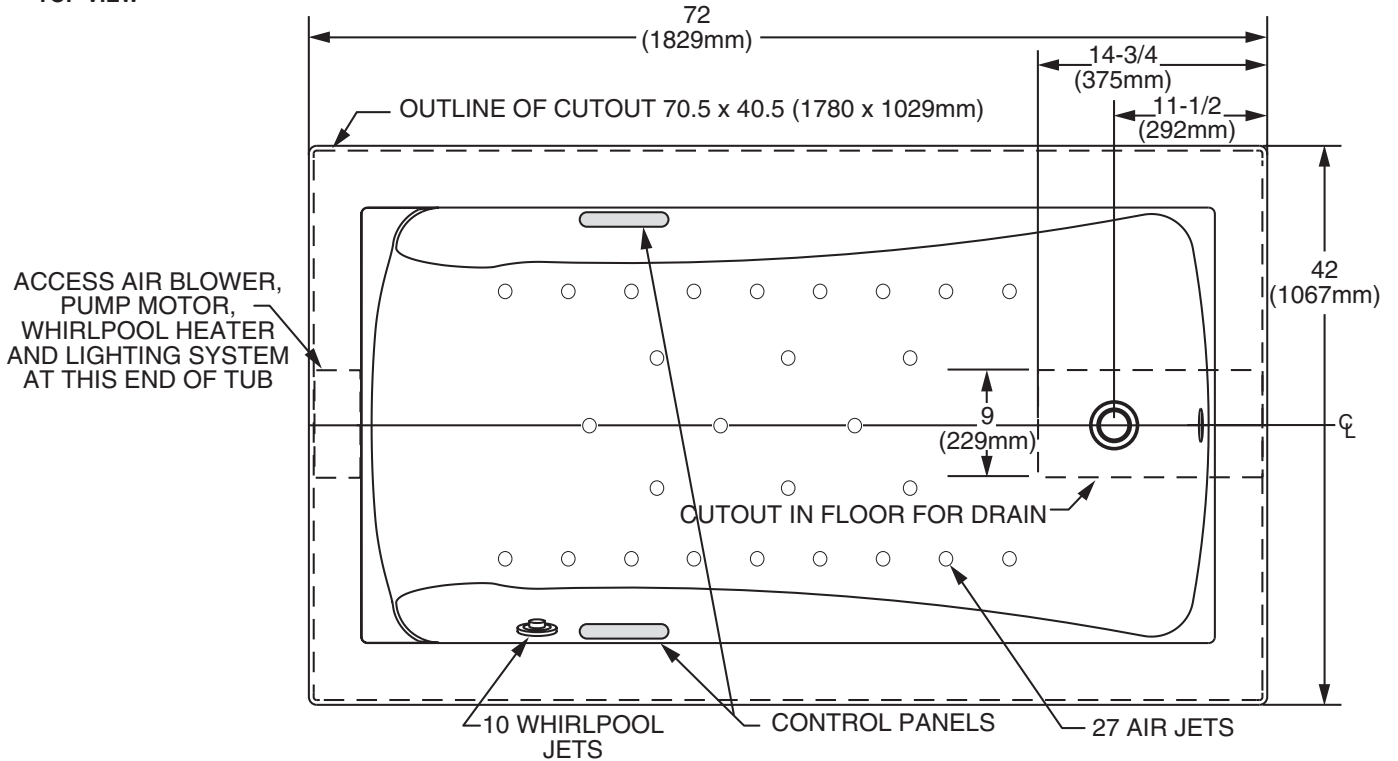
INSTALLER MUST PROVIDE 12 X 24 ACCESS OPENING FOR SERVICING AIR BLOWER, PUMP MOTOR, WHIRLPOOL HEATER, AND LIGHTING SYSTEM.

THIS MODEL INCLUDES A DRAIN ASSEMBLY. OTHER DRAIN ASSEMBLIES CANNOT BE USED. REVIEW DRAIN INSTALLATION DETAILS IN THE DOCUMENT TO FULLY UNDERSTAND FLOOR CUTOUT REQUIREMENTS.

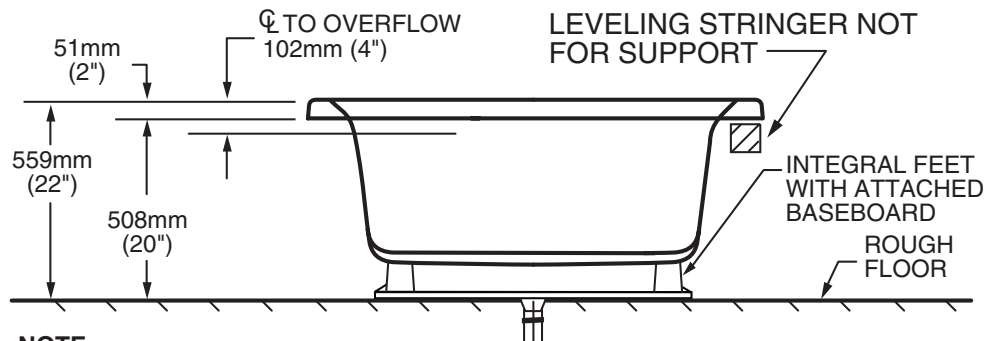
## ROUGHING-IN REFERENCES

### GREEN TEA™ 6' x 42" MODEL 3575 COMBINATION SYSTEM

#### TOP VIEW



#### END VIEW



#### NOTE:

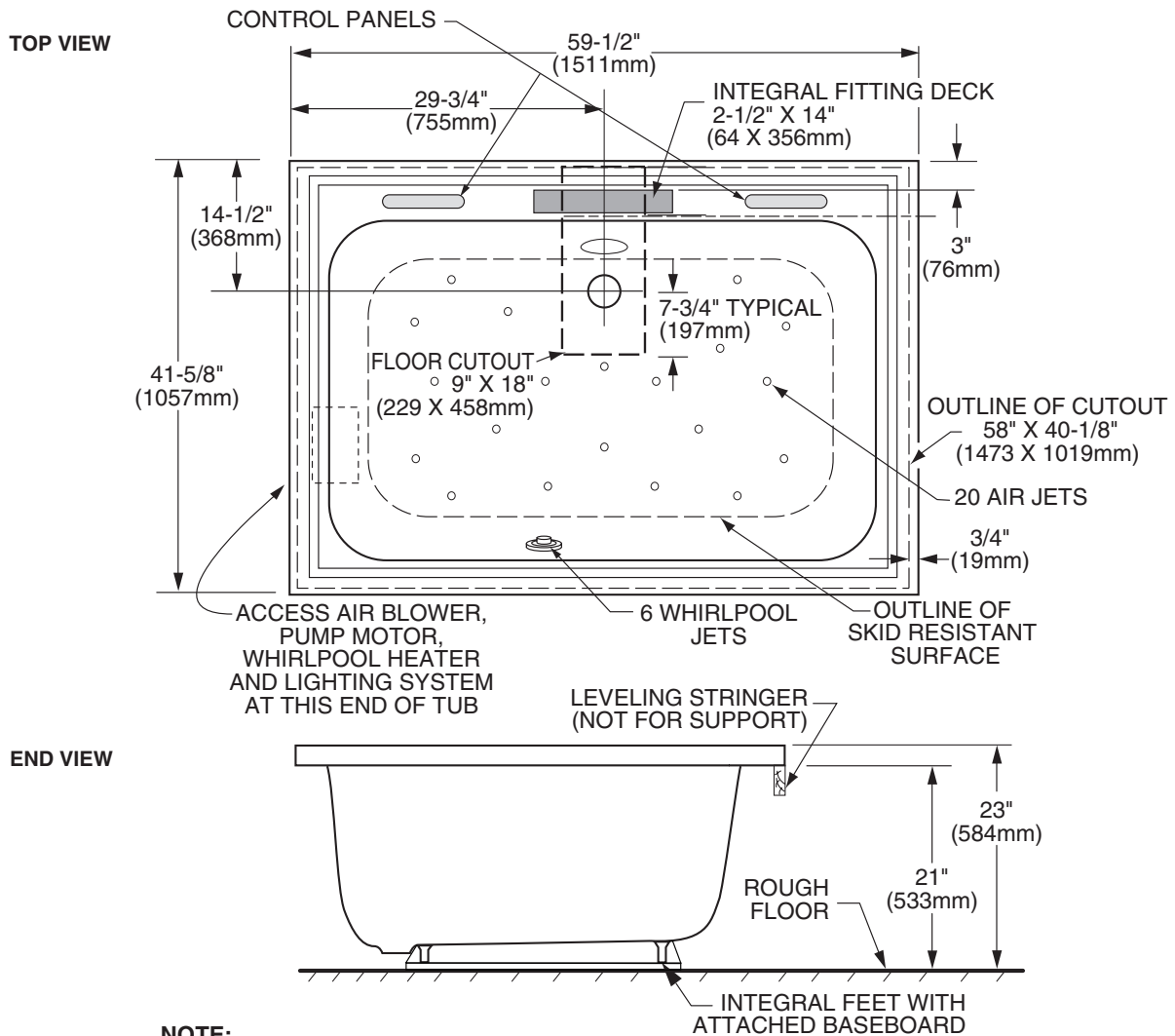
INSTALLER MUST PROVIDE 12 X 24 ACCESS OPENING FOR SERVICING AIR BLOWER, PUMP MOTOR, WHIRLPOOL HEATER, AND LIGHTING SYSTEM.

THIS MODEL INCLUDES A DRAIN ASSEMBLY. OTHER DRAIN ASSEMBLIES CANNOT BE USED. REVIEW DRAIN INSTALLATION DETAILS IN THE DOCUMENT TO FULLY UNDERSTAND FLOOR CUTOUT REQUIREMENTS.



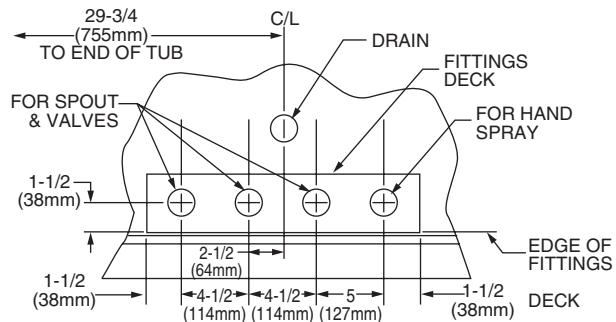
## ROUGHING-IN REFERENCES

### TOWN SQUARE® 5' x 42" MODEL 2748 COMBINATION SYSTEM



**NOTE:**  
INSTALLER MUST PROVIDE 12 X 24 ACCESS OPENING FOR SERVICING AIR BLOWER, PUMP MOTOR, WHIRLPOOL HEATER, AND LIGHTING SYSTEM.

THIS MODEL INCLUDES A DRAIN ASSEMBLY. OTHER DRAIN ASSEMBLIES CANNOT BE USED. REVIEW DRAIN INSTALLATION DETAILS IN THE DOCUMENT TO FULLY UNDERSTAND FLOOR CUTOUT REQUIREMENTS.

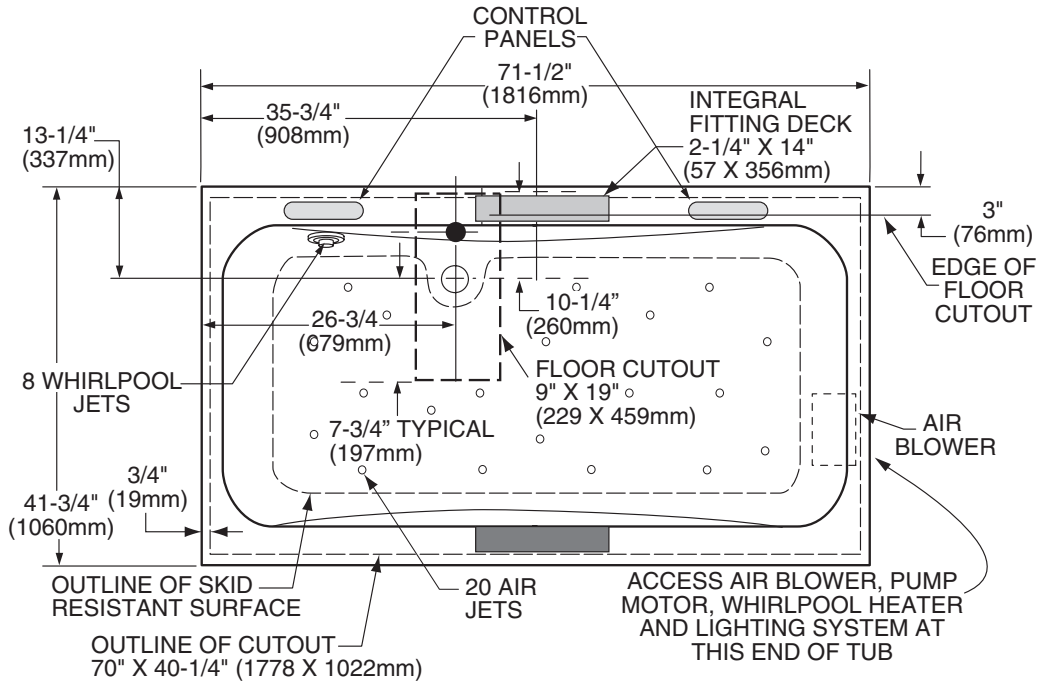


**HOLE DRILLING LOCATION FOR AMERICAN STANDARD "TOWN SQUARE"  
DECK MOUNT BATH FILLER WITH PERSONAL SHOWER, MODEL #2555.901 ONLY**

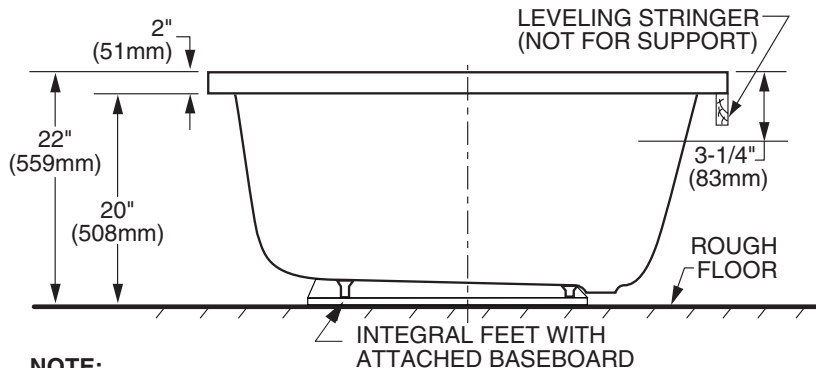
## ROUGHING-IN REFERENCES

### TOWN SQUARE® 6' x 42" MODEL 2742 COMBINATION SYSTEM

TOP VIEW



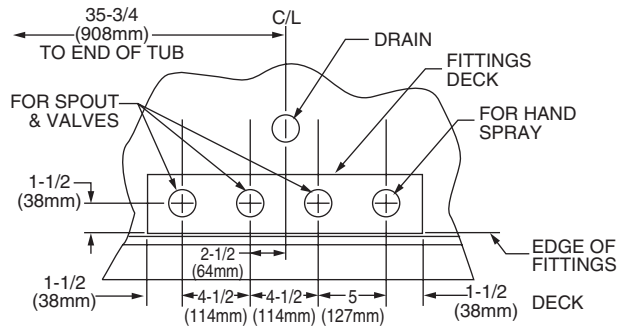
END VIEW



**NOTE:**

INSTALLER MUST PROVIDE 12 X 24 ACCESS OPENING FOR SERVICING AIR BLOWER, PUMP MOTOR, WHIRLPOOL HEATER, AND LIGHTING SYSTEM.

THIS MODEL INCLUDES A DRAIN ASSEMBLY. OTHER DRAIN ASSEMBLIES CANNOT BE USED. REVIEW DRAIN INSTALLATION DETAILS IN THE DOCUMENT TO FULLY UNDERSTAND FLOOR CUTOUT REQUIREMENTS.

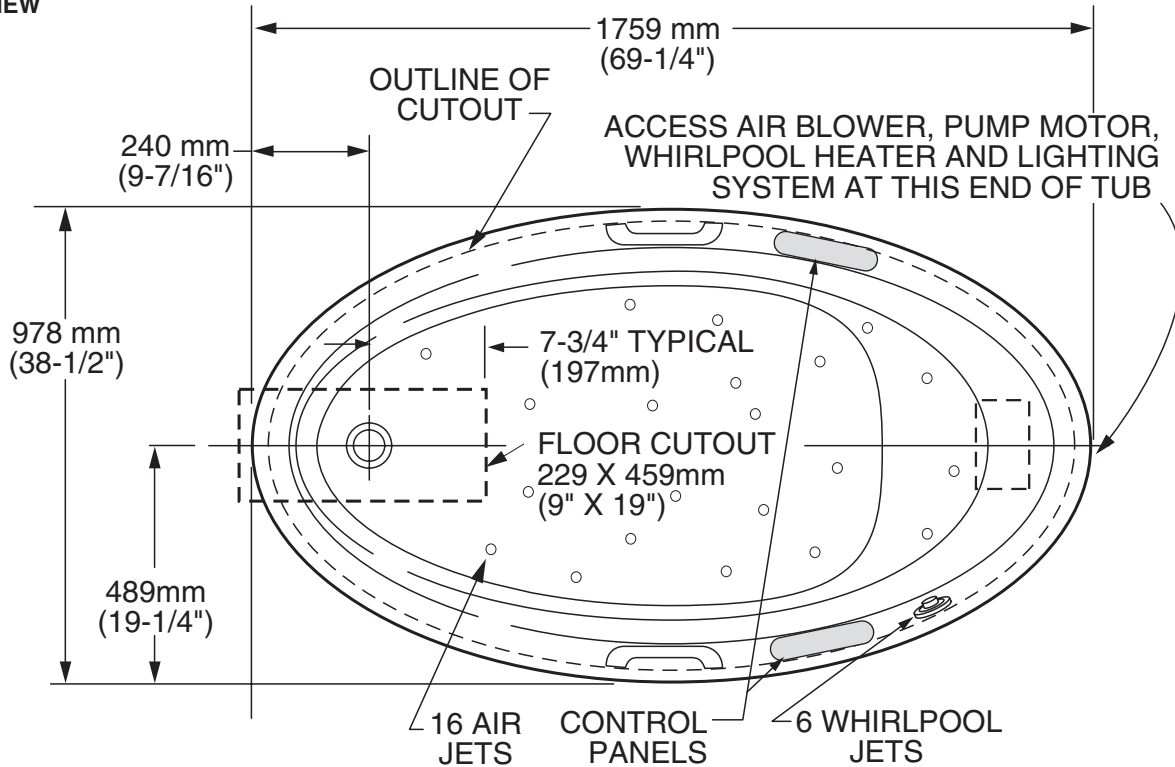


**HOLE DRILLING LOCATION FOR AMERICAN STANDARD "TOWN SQUARE"  
DECK MOUNT BATH FILLER WITH PERSONAL SHOWER, MODEL #2555.901 ONLY**

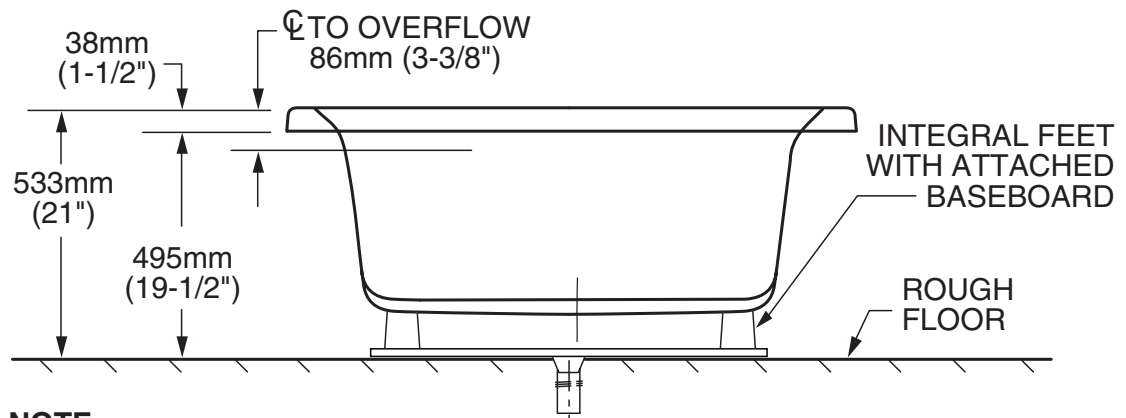
## ROUGHING-IN REFERENCES

### ELLISSE OVAL MODEL 2709 COMBINATION SYSTEM

TOP VIEW



END VIEW



**NOTE:**

INSTALLER MUST PROVIDE 12 X 24 ACCESS OPENING FOR SERVICING AIR BLOWER, PUMP MOTOR, WHIRLPOOL HEATER, AND LIGHTING SYSTEM.

THIS MODEL INCLUDES A DRAIN ASSEMBLY. OTHER DRAIN ASSEMBLIES CANNOT BE USED. REVIEW DRAIN INSTALLATION DETAILS IN THE DOCUMENT TO FULLY UNDERSTAND FLOOR CUTOUT REQUIREMENTS.

## ROUGHING-IN REFERENCES

### GREEN TEA™ 5' x 36" MODEL 3571 COMBINATION SYSTEM

<b>GENERAL SPECIFICATIONS FOR 3571 COMBINATION SYSTEM</b>	
INSTALLED SIZE	60 x 36 x 22 In. (1524 x 914 x 559mm)
WEIGHT	117 Lbs. (53 Kg.)
WEIGHT w/WATER	550 Lbs. (250 Kg.)
GAL. TO OVERFLOW	52 Gal. (197 L.)
MIN. OPERATING GAL.	38 Gal. (144 L.)
BATHING WELL AT SUMP	19 x 43 In. (483mm x 1092mm)
BATHING WELL AT RIM	48-1/2 x 27 In. (1232mm x 686mm)
WATER DEPTH TO OVERFLOW	14 In. (356mm)
FLOOR LOADING (PROJECTED AREA)	37 Lbs./Sq. Ft. (179 Kgs/Sq. m.)
PTS.	23.8
CUBE (FT <sup>3</sup> )	44.5
<b>ELECTRICAL SPECIFICATIONS ●</b>	

● REFER TO ELECTRICAL INSTALLATION DIAGRAM ON PAGE 14

### GREEN TEA™ 5-1/2' x 36" MODEL 3572 COMBINATION SYSTEM

<b>GENERAL SPECIFICATIONS FOR 3572 COMBINATION SYSTEM</b>	
INSTALLED SIZE	66 x 36 x 22 In. (1676 x 914 x 559mm)
WEIGHT	128 Lbs. (58 Kg.)
WEIGHT w/WATER	619 Lbs. (281 Kg.)
GAL. TO OVERFLOW	59 Gal. (223 L.)
MIN. OPERATING GAL.	44 Gal. (167 L.)
BATHING WELL AT SUMP	19 x 49 In. (483mm x 1245mm)
BATHING WELL AT RIM	54-1/2 x 27 In. (1384mm x 686mm)
WATER DEPTH TO OVERFLOW	14 In. (356mm)
FLOOR LOADING (PROJECTED AREA)	38 Lbs./Sq. Ft. (188 Kgs/Sq. m.)
PTS.	25.6
CUBE (FT <sup>3</sup> )	45.1
<b>ELECTRICAL SPECIFICATIONS ●</b>	

● REFER TO ELECTRICAL INSTALLATION DIAGRAM ON PAGE 14

### GREEN TEA™ 6' x 36" MODEL 3573 COMBINATION SYSTEM

<b>GENERAL SPECIFICATIONS FOR 3573 COMBINATION SYSTEM</b>	
INSTALLED SIZE	72 x 36 x 22 In. (1829 x 914 x 559mm)
WEIGHT	143 Lbs. (65 Kg.)
WEIGHT w/WATER	693 Lbs. (314 Kg.)
GAL. TO OVERFLOW	66 Gal. (250 L.)
MIN. OPERATING GAL.	49 Gal. (185 L.)
BATHING WELL AT SUMP	19 x 55 In. (483mm x 1397mm)
BATHING WELL AT RIM	60-1/2 x 27 In. (1537mm x 686mm)
WATER DEPTH TO OVERFLOW	14 In. (356mm)
FLOOR LOADING (PROJECTED AREA)	38 Lbs./Sq. Ft. (188 Kgs/Sq. m.)
PTS.	23.8
CUBE (FT <sup>3</sup> )	44.5
<b>ELECTRICAL SPECIFICATIONS ●</b>	

● REFER TO ELECTRICAL INSTALLATION DIAGRAM ON PAGE 14

### GREEN TEA™ 5' x 42" MODEL 3574 COMBINATION SYSTEM

<b>GENERAL SPECIFICATIONS FOR 3574 COMBINATION SYSTEM</b>	
INSTALLED SIZE	59-3/4 x 42 x 22 In. (1518 x 1060 x 559mm)
WEIGHT	141 Lbs. (64 Kg.)
WEIGHT w/WATER	682 Lbs. (310 Kg.)
GAL. TO OVERFLOW	65 Gal. (246 L.)
MIN. OPERATING GAL.	47 Gal. (178 L.)
BATHING WELL AT SUMP	24-1/2 x 42 In. (622mm x 1067mm)
BATHING WELL AT RIM	48 x 33 In. (1219mm x 838mm)
WATER DEPTH TO OVERFLOW	14 In. (356mm)
FLOOR LOADING (PROJECTED AREA)	39 Lbs./Sq. Ft. (192 Kgs/Sq. m.)
PTS.	27.8
CUBE (FT <sup>3</sup> )	47.4
<b>ELECTRICAL SPECIFICATIONS ●</b>	

● REFER TO ELECTRICAL INSTALLATION DIAGRAM ON PAGE 14

### GREEN TEA™ 6' x 42" MODEL 3575 COMBINATION SYSTEM

<b>GENERAL SPECIFICATIONS FOR 3575 COMBINATION SYSTEM</b>	
INSTALLED SIZE	72 x 42 x 22 In. (1829 x 1067 x 559mm)
WEIGHT	172 Lbs. (78 Kg.)
WEIGHT w/WATER	830 Lbs. (377 Kg.)
GAL. TO OVERFLOW	79 Gal. (299 L.)
MIN. OPERATING GAL.	58 Gal. (219 L.)
BATHING WELL AT SUMP	22-1/2 x 54 In. (572mm x 1372mm)
BATHING WELL AT RIM	60 x 33 In. (1524mm x 838mm)
WATER DEPTH TO OVERFLOW	14 In. (356mm)
FLOOR LOADING (PROJECTED AREA)	40 Lbs./Sq. Ft. (193 Kgs/Sq. m.)
PTS.	25.6
CUBE (FT <sup>3</sup> )	49.4
<b>ELECTRICAL SPECIFICATIONS ●</b>	

● REFER TO ELECTRICAL INSTALLATION DIAGRAM ON PAGE 14

### TOWN SQUARE® 5' x 42" MODEL 2748 COMBINATION SYSTEM

<b>GENERAL SPECIFICATIONS FOR 2748 COMBINATION SYSTEM</b>	
INSTALLED SIZE	59-1/2 x 41-5/8 x 23 In. (1511 x 1057 x 584mm)
WEIGHT	110 Lbs. (50 Kg.)
WEIGHT w/WATER	611 Lbs. (278 Kg.)
GAL. TO OVERFLOW	60 Gal. (227 L.)
BATHING WELL AT SUMP	34 x 24 In. (864 x 610mm)
BATHING WELL AT RIM	52 x 31 In. (1321 x 1321mm)
WATER DEPTH TO OVERFLOW	12-1/2 In. (318mm)
FLOOR LOADING (PROJECTED AREA)	29 Lbs./Sq. Ft. (144 Kgs./Sq. m.)
PTS.	27.8
CUBE (FT <sup>3</sup> )	45.4
<b>ELECTRICAL SPECIFICATIONS ●</b>	

● REFER TO ELECTRICAL INSTALLATION DIAGRAM ON PAGE 14

### TOWN SQUARE® 6' x 42" MODEL 2742 COMBINATION SYSTEM

<b>GENERAL SPECIFICATIONS FOR 2742 COMBINATION SYSTEM</b>	
INSTALLED SIZE	71-1/2 x 41-3/4 x 22 In. (1816 x 1060 x 559mm)
WEIGHT	174 Lbs. (79 Kg.)
WEIGHT w/WATER	830 Lbs. (313 Kg.)
GAL. TO OVERFLOW	69 Gal. (261 L.)
BATHING WELL AT SUMP	41 x 21-1/2 In. (1041 x 546mm)
BATHING WELL AT RIM	62 x 31-1/2 In. (1574 x 800mm)
WATER DEPTH TO OVERFLOW	14-1/4 In. (362mm)
FLOOR LOADING (PROJECTED AREA)	36 Lbs./Sq. Ft. (176 Kgs./Sq. m.)
PTS.	27.8
CUBE (FT <sup>3</sup> )	55.7
<b>ELECTRICAL SPECIFICATIONS ●</b>	

● REFER TO ELECTRICAL INSTALLATION DIAGRAM ON PAGE 14

### ELLISSE OVAL MODEL 2709 COMBINATION SYSTEM

<b>GENERAL SPECIFICATIONS FOR 2709 COMBINATION SYSTEM</b>	
INSTALLED SIZE	69-1/4 x 38-1/2 x 19-3/4 In. (1759 x 978 x 502mm)
WEIGHT	119 Lbs. (54 Kg.)
WEIGHT w/WATER	652 Lbs. (296 Kg.)
GAL. TO OVERFLOW	64 Gal. (243 L.)
BATHING WELL AT SUMP	45 x 23 In. (1143 x 584mm)
BATHING WELL AT RIM	63 x 32 In. (1600 x 813mm)
WATER DEPTH TO OVERFLOW	13 In. (330mm)
FLOOR LOADING (PROJECTED AREA)	35 Lbs./Sq. Ft. (172 Kgs./Sq. m.)
PTS.	25.6
CUBE (FT <sup>3</sup> )	49.4
<b>ELECTRICAL SPECIFICATIONS ●</b>	

● REFER TO ELECTRICAL INSTALLATION DIAGRAM ON PAGE 14

## INSTALLATION AND FRAMING INSTRUCTIONS:

The variety of installations possible for this combination system may require framing procedures other than those shown. Locate studs as required. Ensure roughing-in dimensions are proper, plumb and square. Provisions must be made in all installations for an access opening for servicing the air blower and controls. It is strongly recommended that an additional opening be provided for access to the drain components. The apron should not be used as the primary access opening.

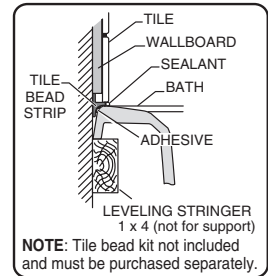
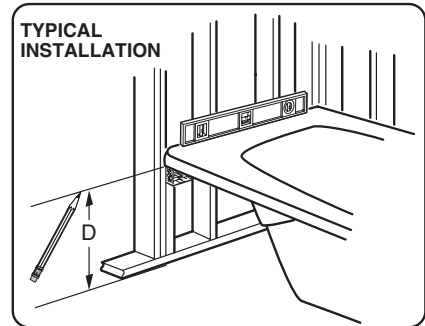
1. Position the combination system into the installation opening and level the deck in both directions, shimming the integral feet with attached baseboard as necessary. Refer to the Combination Installation Table for nominal installation dimensions. Mark the final position of the underside of the deck by tracing a line on to the studs (see Figure 1).
2. Remove the air massage system and attach a 1 x 4 stringer to the studs, with the top of the stringer touching the traced line.

**!** The rim of the bath **must not** support weight.

3. Install supplied cable drain components to the combination system according to the enclosed drain installation instructions. Before replacing your bath for final installation, be certain that an opening has been provided in the sub-floor for the drain. See the roughing-in drawing for suggested opening size (shaded) and location dimensions. The drain/overflow of the bath extends below the bottom of the bath. Note that this requires a cutout in the floor.
4. Replace combination system and re-shim the integral support feet with attached baseboard, shimming the entire length of the baseboard as needed. Secure the shims using construction adhesive, silicone or equivalent materials.

**!** The rim of the bath **must not** support weight. Any finish material such as tile or wall board must be self-supporting if it contacts the deck of the bath.

FIGURE 1



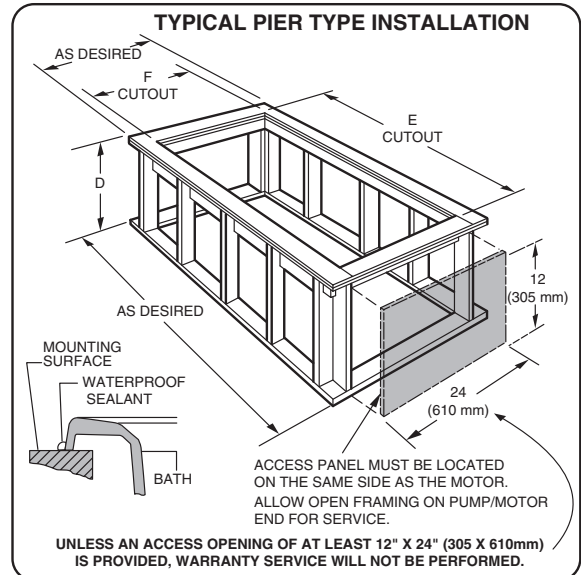
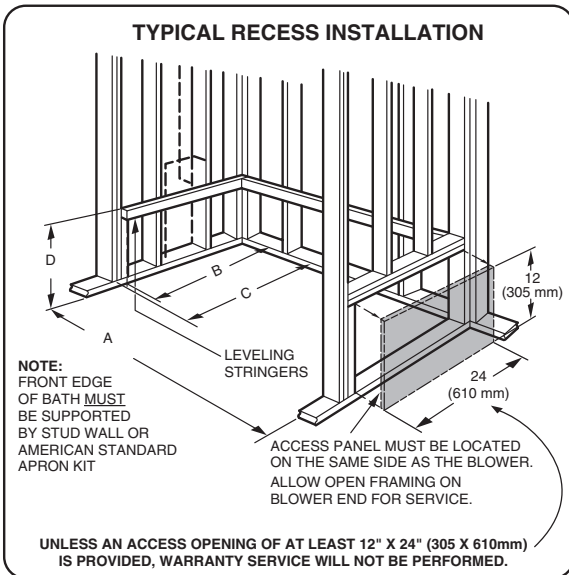
## COMBINATION INSTALLATION TABLE

DIM.	DESCRIPTION	COMBINATION MODEL NUMBER															
		2748		2742		2709**		3571		3572		3573		3574		3575	
A	Nominal tub length recess opening	59-3/4"	1518mm	71-3/4"	1823mm			60-1/4"	1530mm	66-1/4"	1683mm	72-1/4"	1835mm	60"	1524mm	72-1/4"	1835mm
B	Nominal tub apron support opening	39-3/4"	1511mm	39-3/4"	1511mm			35"	889mm	35"	889mm	35"	889mm	40-3/4"	1035mm	41"	1041mm
C	Nominal tub width recess opening	41-3/4"	1060mm	41-3/4"	1060mm			36"	914mm	36"	914mm	36"	914mm	41-3/4"	1060mm	42"	1067mm
D	Nominal tub height opening	21"	533mm	20"	508mm	19-1/2"	495mm	19"	483mm	19"	483mm	19"	483mm	19"	483mm	19"	483mm
E	Nominal tub length cutout	58"	1473mm	70"	1778mm	67"	1702mm	58-1/2"	1486mm	64-1/2"	1638mm	70-1/2"	1791mm	58-1/4"	1480mm	70-1/2"	1791mm
F	Nominal tub width cutout	40-1/8"	1019mm	40-1/4"	1022mm	36-1/2"	927mm	34-1/2"	876mm	34-1/2"	876mm	34-1/2"	876mm	40-1/4"	1022mm	40-1/2"	1029mm

\*\* USE CUTOUT TEMPLATE PROVIDED FOR 2709 MODEL

### NOTICE:

DO NOT BUILD THE SURROUNDING STRUCTURE BEFORE RECEIVING YOUR AIR BATH. STRUCTURE MEASUREMENTS SHOULD BE VERIFIED AGAINST THE ACTUAL AIR BATH RECEIVED TO ENSURE PROPER FIT.

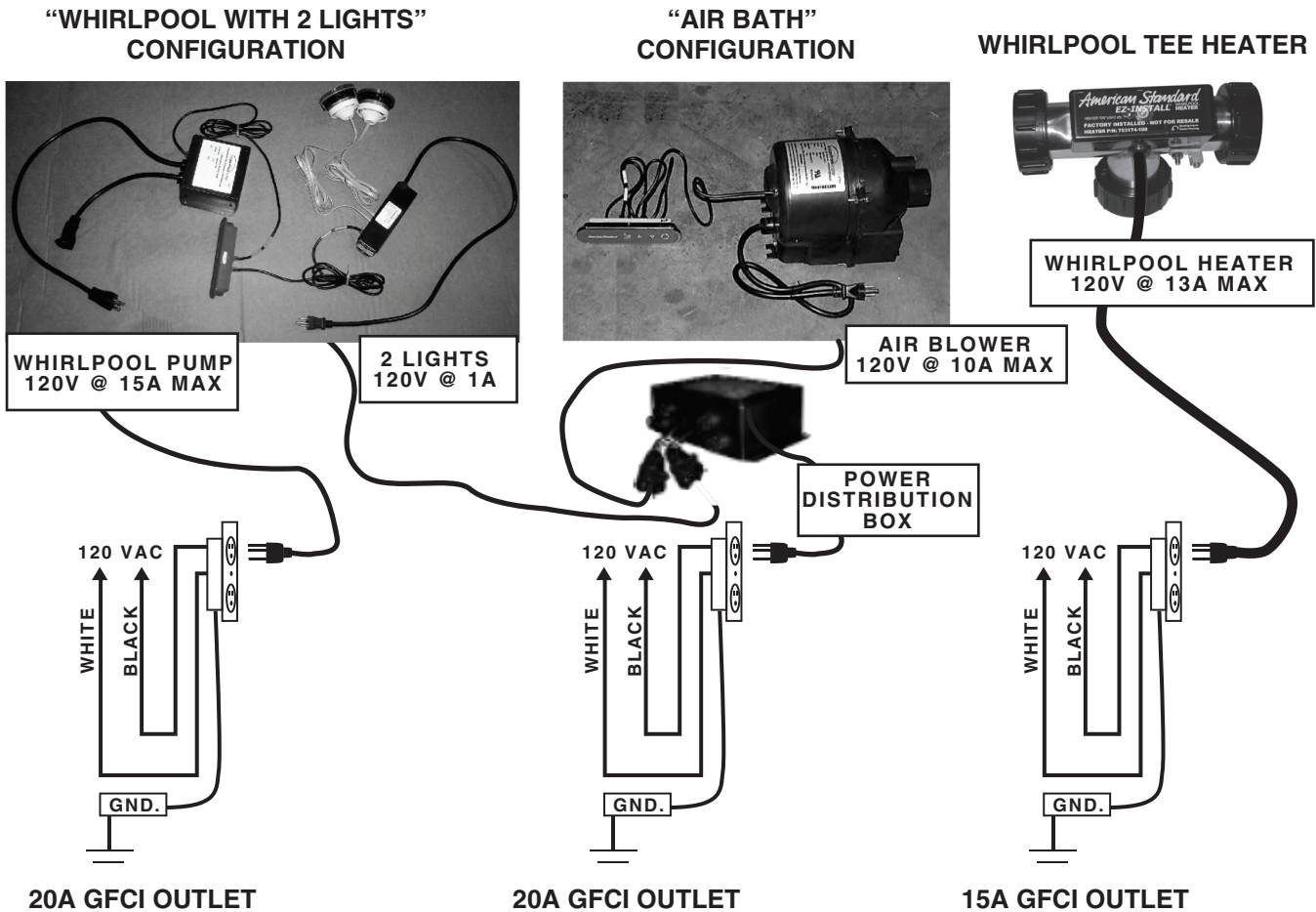


## ELECTRICAL INSTALLATION INSTRUCTIONS

All wiring must be performed by a licensed electrician in accordance with the national electrical code and all other applicable codes.

**! WARNING:** When using electrical products, basic precautions should always be observed, including the following:

1. **DANGER: RISK OF ELECTRIC SHOCK!** Connect only to a circuit protected by a ground-fault circuit interrupter.
2. Grounding is required. The unit should be installed by a licensed electrician and grounded.
3. Permit access for servicing motor as noted.
4. All building materials and wiring should be routed away from the pump body and heater (if equipped).



**FIGURE 2: ELECTRICAL INSTALLATION DIAGRAM**

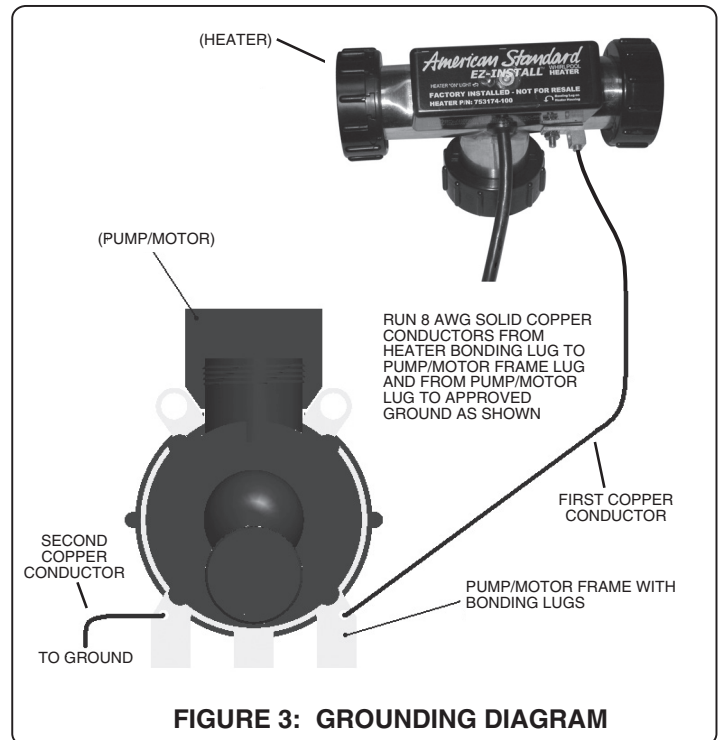
This installation requires 3 separate 120VAC dedicated circuits with GFCI (Ground Fault Circuit Interrupter) protection as shown in Figure 2. Two of the three GFCI outlets **MUST** be 20AMP service.

At initial start-up with the power ON, push the GFCI test button. The reset button should pop out. Push this button in to reset. If the GFCI fails to operate in the manner, there is a ground fault or malfunction, indicating the possibility of electrical shock. Turn off the power and do not use until the source of the problem has been identified and corrected.

## ELECTRICAL INSTALLATION INSTRUCTIONS (continued)

Ensure the heater and pump are properly GROUNDED and BONDED as required. Attach the 8 AWG solid copper conductor supplied with the heater from the heater bonding lug to the motor frame bonding lug as shown in Figure 3.

The conductor is secured to the lugs using set screws. The motor frame shall have a second 8 AWG solid copper conductor connected from the frame bonding lug to the home's electrical panel or approved local bonding point as shown in Figure 3.



## WHIRLPOOL HEATER OPERATION

**WARNING:** Prior to operation, review the Important Safety Instructions listed at the beginning of this instruction manual.

Once the heater is installed and the whirlpool pump is operating, the heater is totally automatic. The heater will help maintain the temperature of the water in the bath.

### Pressure Switch

The heater is equipped with a preset pressure switch. The pump must be running with water flowing in the whirlpool to allow the heater to turn on.

### Indicator Light

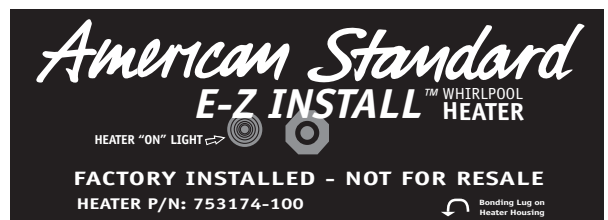
This light turns on whenever the heater is operating.

### High-Limit Switch

The heater includes an exclusive "Intelligent High-Limit". This safety circuit will not "false trip" from hot tap water. It will only turn the heater off if the thermostat fails. If the high-limit trips frequently, call a service technician.

To manually reset the circuit in the event that the "High-Limit" switch has been activated, simply

- (1) Turn off the whirlpool pump.
- (2) Drain water from the tub.
- (3) Remove power from heater by unplugging at receptacle or turning off circuit breaker.
- (4) The heater circuit will automatically reset in less than 15 minutes.
- (5) Restore power to the heater.
- (6) Whirlpool bath is now ready to use.

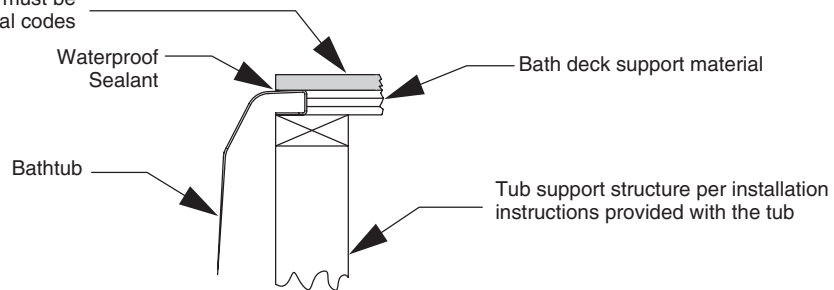


## UNDER DECK MOUNTING INSTRUCTIONS

Please note that care must be taken to protect the surface of the tub during all aspects of the installation. Do not drill or cut the bath deck with the tub directly beneath it as damage to the tub may result.

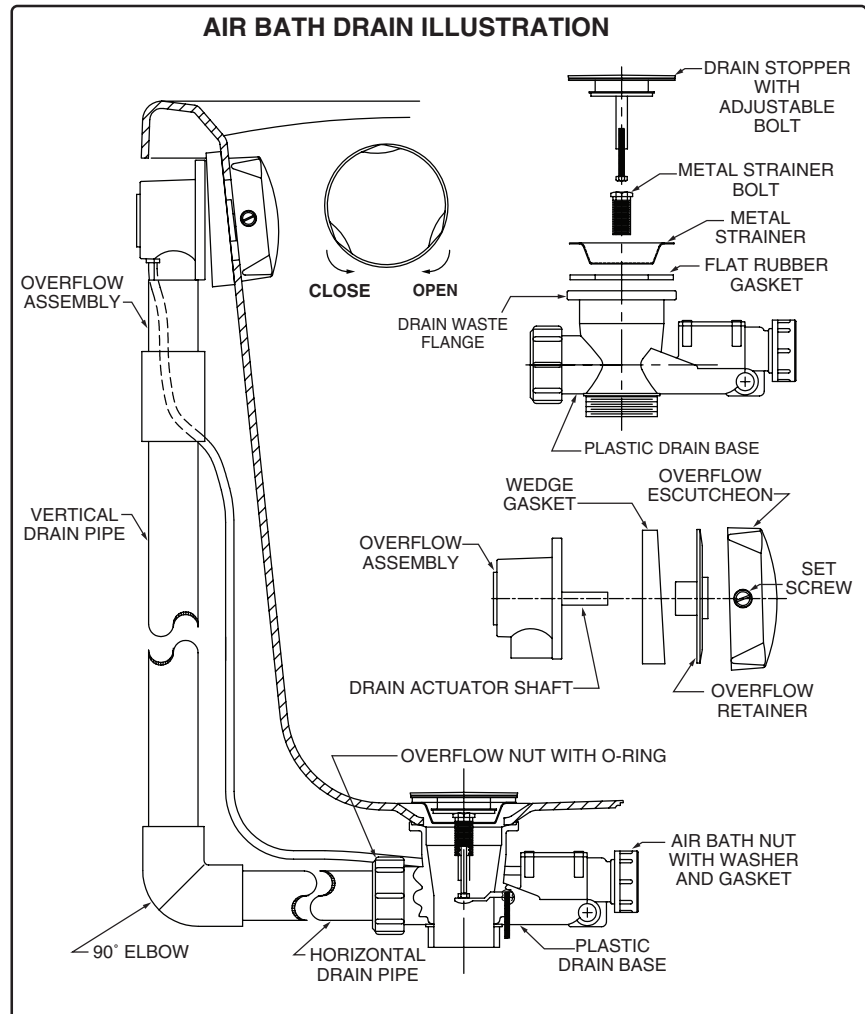
1. Install the tub per the installation instructions provided with the unit.
2. Prepare the bath deck support structure per the local codes. Note - the bath deck must be self supporting.
3. Cut bath deck to your specifications.
4. Place the bath deck in position and trace the opening on the tub with a soft pencil. Do not drill or cut the bath deck with the tub directly beneath it as damage to the tub may result.
5. Remove the bath deck and apply a generous bead of waterproof sealant on the outer edge of the traced line.
6. Replace the bath deck and secure it into place.
7. Apply additional sealant along the tub and bath deck interface as necessary to ensure a watertight seal.
8. Remove excess sealant per the manufacturer's instructions.

Finished bath deck surface material must be self-supporting and secured per local codes



## DRAIN CONNECTION AND SYSTEM TEST (before installing bath into framed out structure)

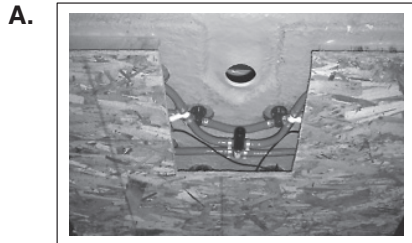
With supplied cable drain assembled to bath, connect drain outlet to waste line in accordance with the drain assembly instructions. Tighten all drain joints securely. Check the couplings and make sure they are hand-tight. Clean the air bath and fill with water to a point 2" below the overflow. Recheck the couplings and make certain that they are not leaking. (Although the couplings are factory tightened and inspected, some loosening may have occurred during transit.) Make sure the air bath is connected to the electrical supply and turn the air bath on. Check for leaks around all piping connections while the air bath is running.





## DRAIN CONNECTION

1. Remove and identify all drain components as defined in air bath drain illustration.
2. Find 1" schedule 40 PVC pipe, 12" length, **HORIZONTAL DRAIN PIPE**.  
Cut pipe to nominal 5" length and mark as "horizontal pipe", drain to elbow section.
3. Find 1" diameter **VERTICAL FLEX PIPE**. Mark as "vertical pipe",  
drain to elbow section.
4. Install drain from below unit through opening as shown in photo **A**.



5. Apply 3 or 4 pea sized dabs of 100% silicone sealant to bottom waste drain flange and press flat rubber gasket into place as shown in photos **B** and **C**.



6. Apply 1/8" continuous bead of 100% silicone sealant to flat rubber gasket as shown in photo **D**. Set aside and be sure not to disturb silicone bead.

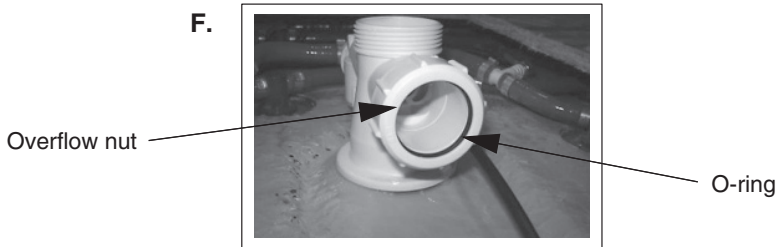


7. Apply 1/8" continuous bead of 100% silicone sealant to back side to metal strainer as shown in photo **E**. Press Strainer retaining bolt into metal strainer and insert into drain hole of acrylic bath.

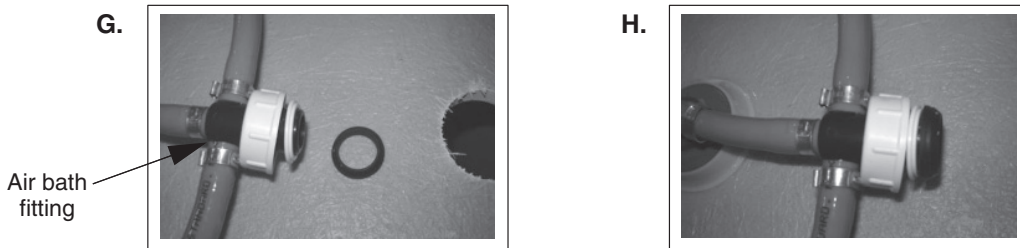


**DRAIN CONNECTION** *continued...*

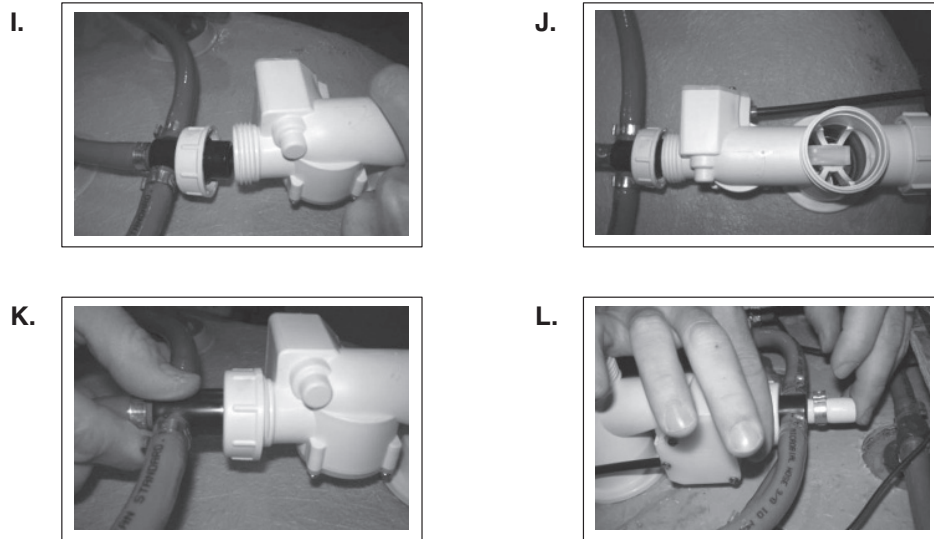
- 8. Have assistant take drain assembly from step 6 and place over back surface of drain hole to engage the metal strainer bolt. Secure plastic drain base to metal strainer in drain opening using nut driver shaft. **DO NOT OVER TIGHTEN!** Carefully remove excess silicone from acrylic surface as directed by silicone sealant directions.
- 9. From unit back side, overflow nut should be in alignment with overflow opening, as shown in photo **F**.



- 10. Slide air bath fitting nut, washer and gasket onto air bath fitting as shown in photos **G** and **H**.



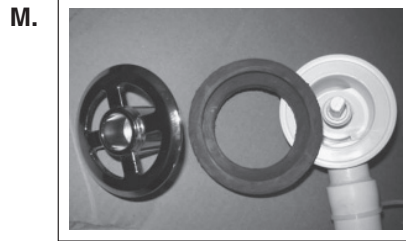
- 11. Assemble air bath fitting to plastic drain base as shown in photos **I**, **J**, **K** and **L**. Hand tighten nut to create watertight joint.



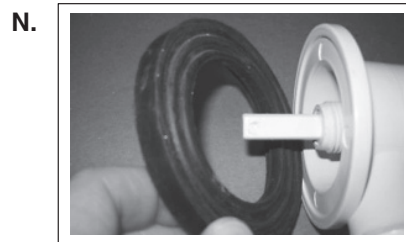
- 12. Apply PVC cement to **Horizontal Drain Pipe** PVC and assemble to 90 degree elbow.

**DRAIN CONNECTION** *continued...*

13. Disassemble overflow wedge gasket and chrome overflow retainer as shown in photo **M**.



14. Place overflow wedge gasket onto plastic overflow pipe flange with round raised rib surface contacting flange as shown in photo **N**.



15. Tighten chrome overflow retainer onto drain overflow assembly pipe per photo **O**.

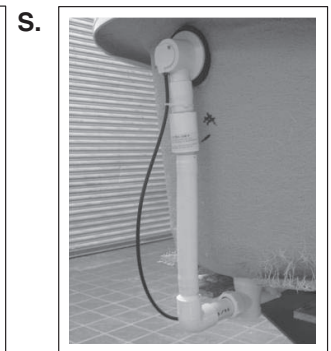
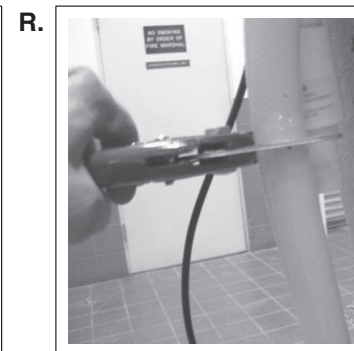
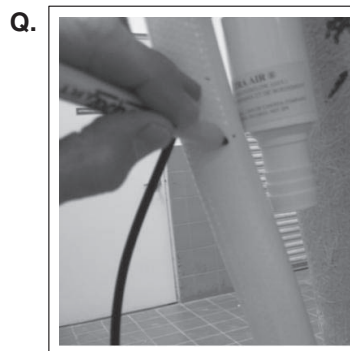
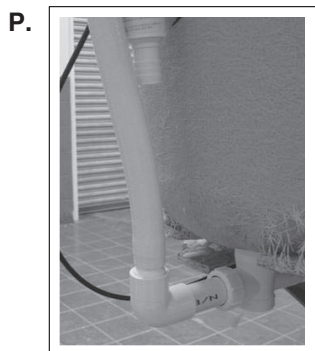


16. Apply PVC cement to barbed end of 90 degree elbow and insert vertical flex hose over barbs as shown in photo **P**.

17. Align vertical flex hose end of piping with top of barbed fitting located on the overflow fitting and mark the flex hose to be trimmed as shown in photo **Q**.

18. Cut off excess vertical flex hose as shown in photo **R**.

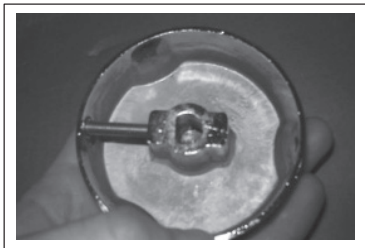
19. Attach vertical flex hose to barbed fitting on overflow fitting by preheating tubing and/or soaping barbed fitting with dish soap as shown in photo **S**.



## DRAIN CONNECTION *continued...*

20. Align flat on drain actuator shaft with corresponding flat in chrome metal overflow escutcheon and tighten set screw to fix overflow escutcheon in place per photos **T** and **U**.

**T.**



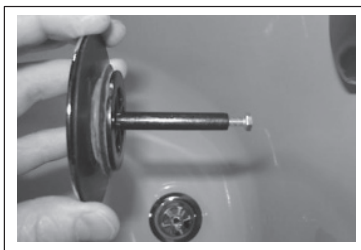
**U.**



21. Rotate left and right lightly to feel stops in drain cable control. This opens and closes drain.

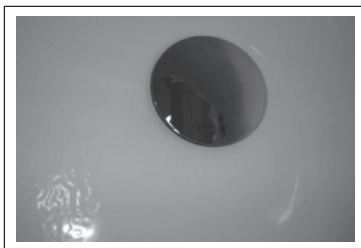
22. Place drain stopper into drain waste hole as shown in photo **V**.

**V.**



23. The drain stopper should prevent water from draining out of tub when the escutcheon is in the fully counterclockwise position as shown in photo **W**. Adjust the drainstopper bolt to obtain the best water seal in the tub.

**W.**



24. Rotate Drain Escutcheon to clockwise stop. This should open drain, between 1/8" and 1/4", to allow water to exit bath. If not adjust metal bolt in drain stopper to allow draining function, but not so high that drain will not seal when closed to hold water during use. See photo **X**.

**X.**



## **POST INSTALLATION CLEAN-UP**

Remove all construction debris from bath. Tile grout can be removed with a wooden popsicle stick or tongue depressor. Do not use wire brushes or any other metal implement on bath surface.

Post installation clean-up generally can be completed using warm water and liquid dishwashing detergent. Stubborn dirt or stains may be removed using granular Spic and Span® mixed with water.

Painter's naphtha can be used to remove excess adhesives and/or wet oil-base paint.

## **AFTERCARE and CLEANING**

- The high gloss surface is resistant to impact and chemicals and will retain its lasting luster with proper care and maintenance.
- Always fill the tub with temperate water. Excessively hot water may cause surface damage
- Clean after use with a mild liquid household detergent cleaner. Do not use Lestoil, Lysol Disinfectant (spray or concentrate), or Lysol Basin, Tub and Tile Cleaner, Windex, Mr. Clean, Dow Disinfectant Bathroom Cleaner, or cleaning products in aerosol cans.

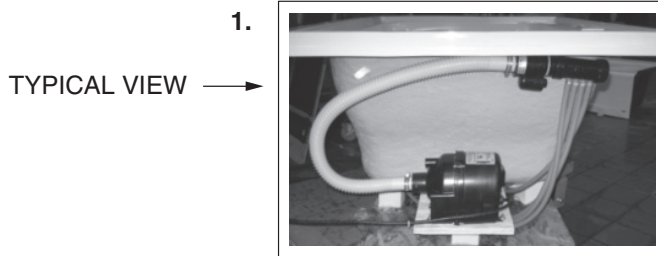
## **HARSH CHEMICALS SHOULD NEVER BE USED ON ACRYLIC SURFACES.**

- Do not use wire brushes, knives or sharp objects to remove stains, cigarette tar deposits, or other surface blemishes.
- Abrasive cleaners or powders must not be used, since they will dull the surface. If the glossy surface loses its sheen, dulled areas can be restored by rubbing with a white "automotive type" polishing compound and waxing with a "liquid wax."
- **Do not wax areas where you walk or stand.**
- Do not allow nail polish remover, acetone, dry cleaning fluid, paint remover or other solvents to come into contact with the surface.
- Clean the surrounding surface immediately after using caustic drain cleaners.
- Burning cigarettes will damage the surface.
- Should damage to the fixture occur, repairs can be made quickly and easily. Your distributor or builder can provide details.
- Do not permit drain cleaner to enter the circulation system.

## REMOTE BLOWER LOCATION OPTION

**IMPORTANT!** It is not necessary that the blower motor be relocated. This option is provided for the case that a particular installation makes this effort practical.

**NOTE:** Relocating blower motor from factory installed location, see photo 1, will require disassembly of air blower from mounting board. Keep all hardware for reattachment at new location. Additional hardware will be required depending upon final desired position of air blower. Follow all instructions listed below.



**NOTE:** Installing the blower in a remote location will reduce the system efficiency.

**NOTE:** Relocating a blower motor still requires a service access for the blower.

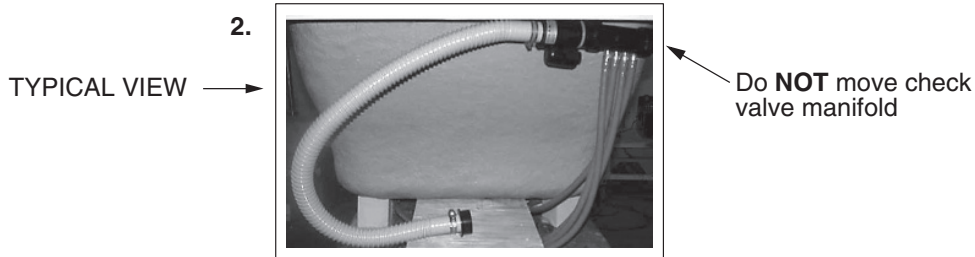
**NOTE:** All materials needed for the relocation must be supplied by the installer. This includes ordering a longer control panel cable (P/N 754025-0071A).

A separate circuit, which must be protected by the Ground Fault Circuit Interrupter (GFCI), is required in the remote location. Electrical connections should be performed by a licensed electrician.

Choose a space as close to the bath as possible so the system works as efficiently as possible. The space must be at least 30 cubic feet and the blower must be mounted at least 2 inches above the floor and 2 inches minimum away from any wall. The blower must NOT be installed in an attic area.

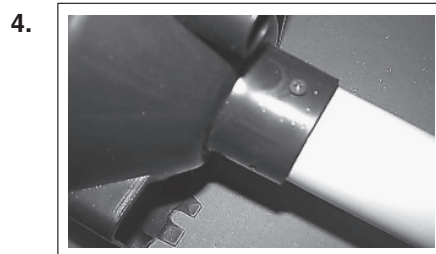
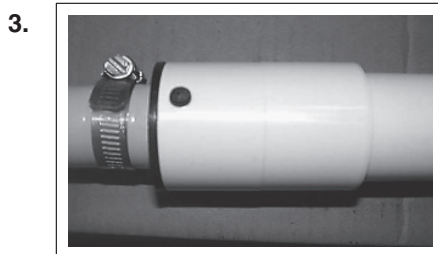
The blower motor must be located within 12 feet of rigid piping from the bath air manifold. This limitation is for the total pipe length and applies to any direction changes and elbows. There can be no more than six changes of direction. There should be as few direction changes as possible and the piping installation must meet all requirements of local plumbing and building codes.

Disconnect the blower from the flexible hose as shown in photo 2. Do NOT remove the check valve manifold that is mounted to the underside of the air bath. The manifold MUST remain mounted above the tub overflow level as shown in 2.



Use 1 1/2" PVC rigid piping and couplings to extend the blower motor location as shown in photos 3 and 4. Detach the flexible hose section from the blower end and extend the air line by adding the appropriate length of PVC piping. Mount the blower in a horizontal direction using the mounting screws provided with the air bath system. Do NOT glue piping to either the manifold or blower. These couplings MUST be attached to the piping with screws as shown in photos 3 and 4. Glue only the PVC piping and couplings needed to extend the air line. Let the glued couplings set overnight before attaching the blower and manifold couplings with screws.

**CAUTION:** It is imperative to let the glued piping set overnight as there may be fumes from the glue that could be ignited if not allowed to dissipate.



## AS AMERICA, INC. LIMITED LIFETIME WARRANTY FOR LUXURY ACRYLIC WHIRLPOOLS

AS America, Inc. ("American Standard") warrants to the original consumer purchaser that it will, at its option, repair or replace this whirlpool or any of its parts that are found by American Standard, in its sole judgment, to be defective under normal residential use and maintenance so long as it is owned by the original consumer purchaser.

This warranty shall only become effective upon receipt by American Standard of a Warranty Registration evidencing proof of purchase.

This limited warranty does not apply to commercial installations. The warranty for commercial installations is three (3) years.

**THIS WARRANTY SHALL BE VOID IF THE ACCESS PANEL TO THE WHIRLPOOL IS COVERED IN ANY MANNER CONTRARY TO THE INSTALLATION INSTRUCTIONS.** In no event will American Standard be liable for the cost of repair or replacement of any installation materials including but not limited to tiles, marble etc.

This limited warranty **DOES NOT COVER** the following:

1. Defects or damages arising from shipping, installation, alterations, accidents, abuse, misuse, lack of proper maintenance and cleaning as directed in the owner's manual and use of other than genuine American Standard replacement parts, in all cases whether caused by a plumbing contractor, service company, the owner or any other person.
2. Deterioration through normal wear and tear and the expense of normal maintenance.
3. Commercial application.
4. Options and accessories. American Standard's limited warranty on these items is one year for parts only and excludes labor. This one year limited warranty covers accessories manufactured by American Standard (e.g. aprons, drains, grab bars, heaters, trim kits) against defects of material or workmanship. Warranty coverage begins on the date the accessory was originally purchased by the owner.
5. Postage or shipping costs for returning products for repairs or replacement under this limited warranty and labor or other costs incurred in connection with product removal or installation under this limited warranty.
6. ANY LIABILITY FOR CONSEQUENTIAL OR INCIDENTAL DAMAGES, ALL OF WHICH ARE HEREBY EXPRESSLY DISCLAIMED, OR THE EXTENSION BEYOND THE DURATION OF THIS LIMITED WARRANTY OF ANY IMPLIED WARRANTIES, INCLUDING THOSE OF MERCHANTABILITY OR FITNESS FOR AN INTENDED PURPOSE. (Some jurisdictions do not allow limitations on how long an implied warranty lasts, or the exclusion or limitation of incidental or consequential damages, so these limitations and exclusions may not apply to you.)
7. Responsibility for compliance with local code requirements. (Since local code requirements vary greatly distributors, retailers, dealers, installation contractors and users of plumbing products should determine whether there are any code restrictions on the installation or use of a specific product.)

This limited warranty gives you specific legal rights. You may have other statutory rights that vary from state to state or from province to province, in which case this limited warranty does not affect such statutory rights.

For service under this warranty, you should contact the following:

**In the United States:**

American Standard Brands  
P.O. Box 659  
West Caldwell, NJ 07007  
Attention: Whirlpool Customer Care Center

For residents of the United States, warranty information may be obtained by calling the following toll free number: (800) 442-1902

[www.americanstandard-us.com](http://www.americanstandard-us.com)

**In Canada:**

AS Canada ULC  
2480 Stanfield Road  
Mississauga, Ontario  
Canada L4Y 1S2

Toll free: (800) 387-0369  
[www.americanstandard.ca](http://www.americanstandard.ca)

**In Mexico:**

Customer Service Manager  
AS Maquila, S.A. de C.V.  
Via Morelos #330  
Col. Santa Clara  
Ecatepec 55540 Edo. Mexico

[www.americanstandard.com.mx](http://www.americanstandard.com.mx)

**To register your product on-line, visit <http://www.americanstandard-us.com/warranty>**  
**If you do not have access to a computer, please call us at 1-800-442-1902 and we'll register you on-line.**