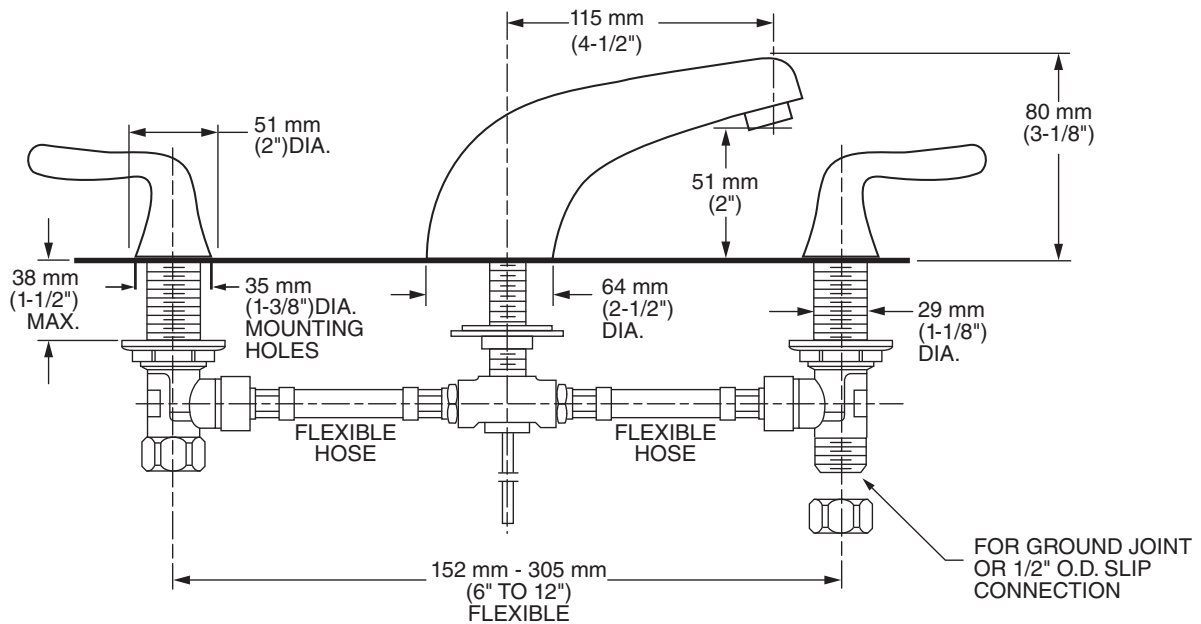


MODEL NUMBER:

- **3875.501 Colony Soft Widespread**
50/50 drain.



GENERAL DESCRIPTION:

Cast brass valve bodies with reinforced flexible hose connections for 6" to 12" (152 mm to 305 mm) installations. 1/4 turn washerless ceramic disc valve cartridges. Cast brass spout. One-half inch brass male inlets with brass coupling nuts. 1.2 gpm/4.5 L/min. maximum flow rate.

PRODUCT FEATURES:

- Brass Construction:** Durable. Ideal for prolonged contact with water.
- Ceramic Disc Valve Cartridge:** Assures a lifetime of smooth handle operation and drip-free performance.
- Lead Free:** Faucet contains $\leq 0.25\%$ total lead content by weighted average.

SUGGESTED SPECIFICATION

Two handle widespread lavatory faucet shall feature cast brass valve bodies with reinforced flexible hose connections for 6" to 12" installations. Shall also feature 1/4 turn washerless ceramic disc valve cartridges. Fitting shall be American Standard Model # 3875.____.

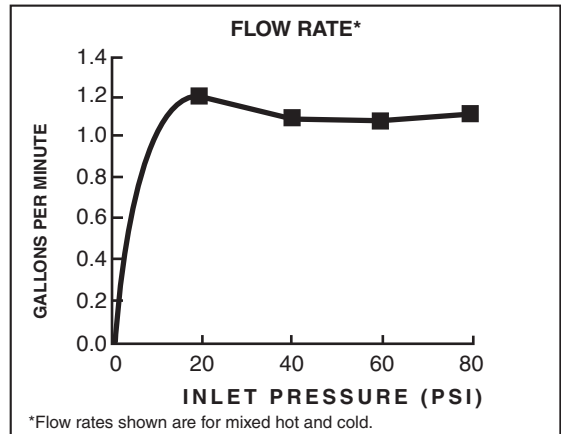


COLONY® SOFT
TWO-HANDLE WIDESPREAD LAVATORY FAUCET
WITH LEVER HANDLES

CODES AND STANDARDS

These products meet or exceed the following codes and standards:

- ANSI A117.1**
- ASME A112.18.1**
- NSF 61/Section 9 and Annex G**
- CSA B125.1**



Product Number	Description		Finish Options	
			Polished Chrome	PVD Satin Nickel
			002	295
3875.501	Colony Soft Widespread. With lever handles. 50/50 drain.			

Meets the American Disabilities Act Guidelines and **ANSI A117.1** Requirements for the physically challenged.

AERATOR MODIFICATIONS***	Parts Suffix**
0.5 gpm (1.9 Lpm) PCA* Spray	___F05
0.5 gpm (1.9 Lpm) Vandal Resistant PCA Spray	___V05
1.0 gpm (3.8 Lpm) PCA Aerator	___F10
1.0 gpm (3.8 Lpm) Vandal Resistant PCA Aerator	___V10
1.2 gpm (4.5 Lpm) Vandal Resistant PCA Aerator	___V12
1.5 gpm (5.7 Lpm) Vandal Resistant PCA Aerator	___V15

AVAILABLE MODIFICATIONS***	Parts Suffix**
Less Pop-Up Drain Less Hole	___LDH
Indexed Installed (Red & Blue) Handles	___RB

*PCA — Pressure Compensating

To modify a product, add suffix after the 4th digit (ex. 2064F05**101.002)

***Modified product models are **NOT** WaterSense certified.