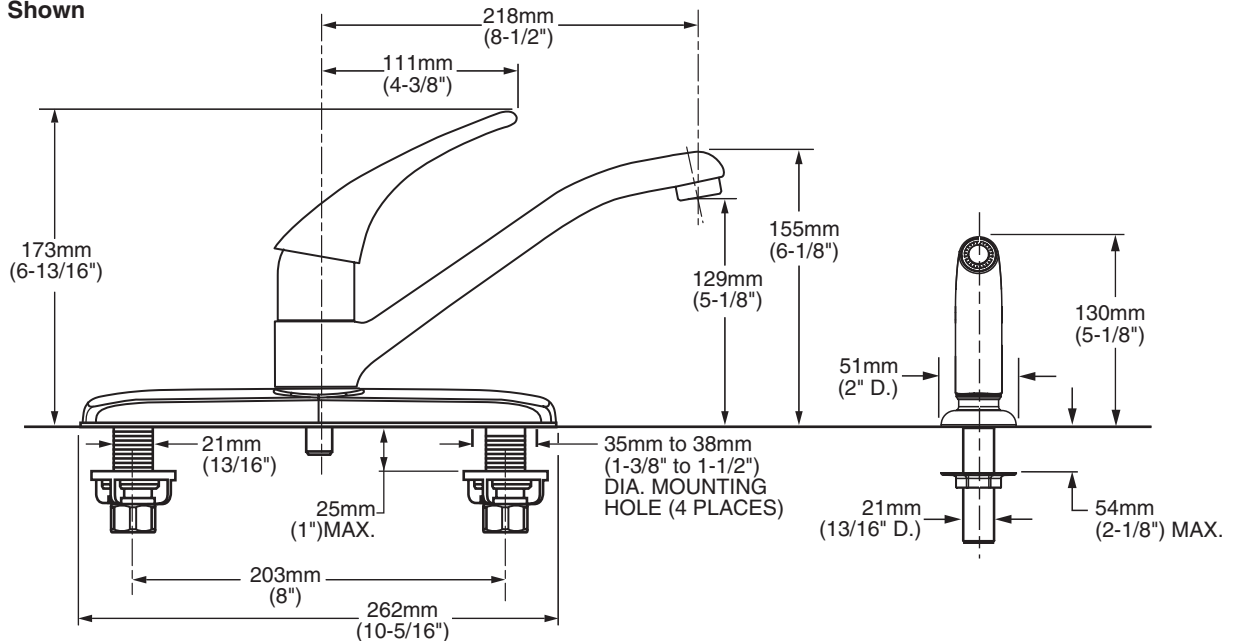


4175.501 Shown



**GENERAL DESCRIPTION:**

Cast Brass 8-1/2" (218mm) long swivel spout. Metal lever handle. Washerless 40mm ceramic disc valve cartridge. Cast brass waterway with 1/2" male inlet shanks. Metal escutcheon plate (escutcheon size 10-5/16"L x 2-3/8"W). 2.2gpm/8.3L/min. maximum flow rate.

**PRODUCT FEATURES:**

**Ceramic Disc Valve Cartridge:** Assures a lifetime of drip-free performance.

**Cast Brass Waterways with "City Shanks":** Strong and durable. Integral tabs on casting provide a wobble-free installation.

**Lead Free:** Faucet contains ≤ 0.25% total lead content by weighted average.

**Memory Position Valving:** Allows user to turn valve on and off at preferred temperature setting without readjusting handle position each time.

**Large "Comfort Zone":** Allows easy fine tuning of temperature.

**Simple Installation:** Fast and easy one person installation. Faucet drops in from top. Quick spin nuts secure faucet in place.

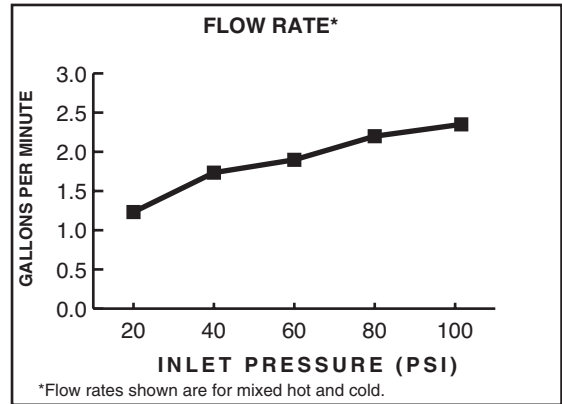
**SUGGESTED SPECIFICATION:**

Single control kitchen faucet shall feature cast brass waterway. Shall also feature washerless 40mm ceramic disc valve cartridge. Cast brass swivel spout. Fitting shall be American Standard Model # 4175. ....


**CODES AND STANDARDS**

These products meet or exceed the following codes and standards:

- ANSI A117.1**
- ASME A112.18.1**
- CSA B125**
- NSF 61/Section 9 & Annex G**



Product Number	Description	Finish Options	
		Polished Chrome	PVD Satin Nickel
		002	295
4175.501	Kitchen Faucet. Separate Color-Matched Handspray.		
4175.503	Kitchen Faucet. Color-Matched Handspray through escutcheon.		
4175.500	Kitchen Faucet. Less Handspray.		

 Meets the American Disabilities Act Guidelines and **ANSI A117.1** Requirements for the physically challenged.