

American Standard

# Installation Instructions 4233.400

## Culinaire™

### BAR/PANTRY FAUCET

with EverClean™ Finish

Congratulations on purchasing your American Standard faucet with EverClean finish found only on American Standard faucets.

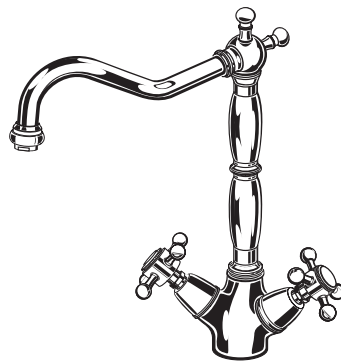
#### EverClean Finish

- One wipe effortlessly removes spots
- Eliminates the need for cleaners and scrubbing
- Permanent surface protectant remains beautiful for the life of the faucet
- EverClean™ available on: Polished Chrome, Satin Nickel, Stainless Steel, Polished Brass (or any combination of these finishes)

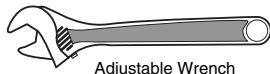
To ensure that your installation proceeds smoothly-please read these instructions carefully before you begin.

Certified to comply with ANSI A112.18.1M

M968258 REV. 1.1



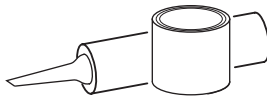
#### Recommended Tools & Materials



Adjustable Wrench



Tubing Cutter



Plumbers' Putty or  
Caulking



Regular Screwdriver



Phillips Screwdriver



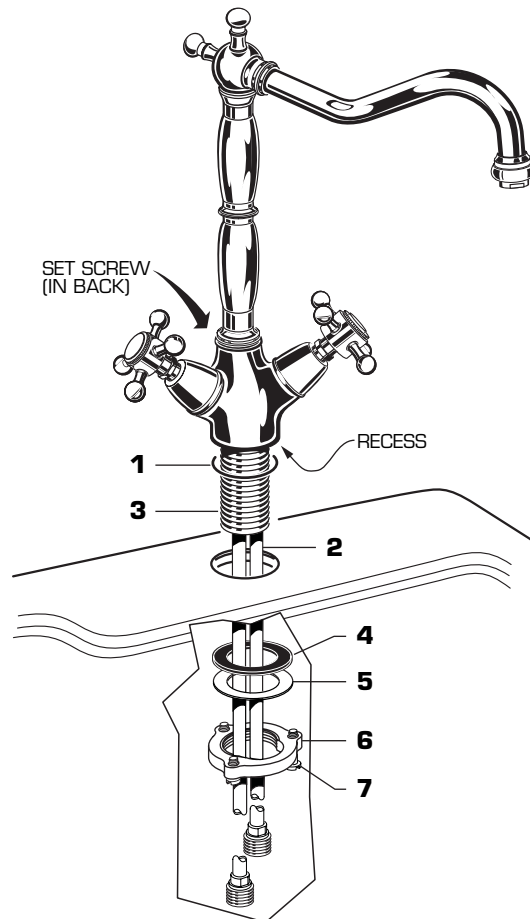
Channel Locks

#### 1 INSTALL FAUCET

##### CAUTION

Turn off hot and cold water supplies before beginning.

- Make certain the large O-RING (1) is properly seated in recess of faucet body.
- Insert supply TUBES (2) and SHANK (3) through hole of sink or mounting surface
- Assemble RUBBER WASHER (4), BRASS WASHER (5), and thread LOCKNUT (6) onto SHANK (3) from underside of sink. Hand tighten LOCKNUT (6) Check that FAUCET is centered.  
**NOTE: Set screw is in back of faucet body.**
- Use a screwdriver to tighten the SCREWS (7) on LOCKNUT (6). Alternate tightening the SCREWS (7) slightly each time until snug to ensure even pressure.

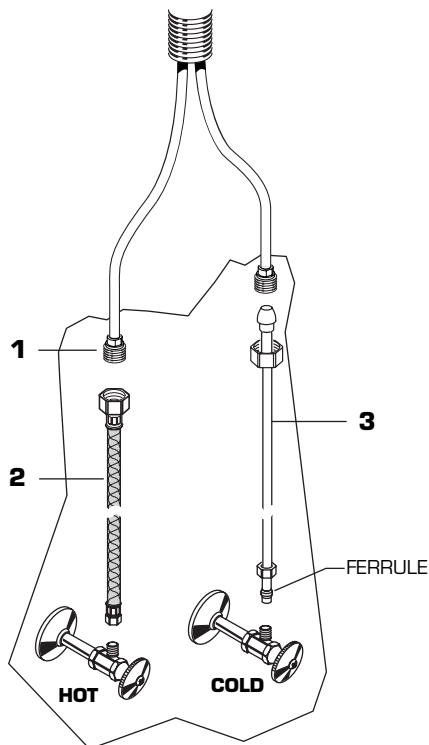


## 2

### MAKE WATER SUPPLY CONNECTIONS

**NOTE: FLEXIBLE SUPPLIES OR BULL-NOSE RISERS MUST BE PURCHASED SEPARATELY.**

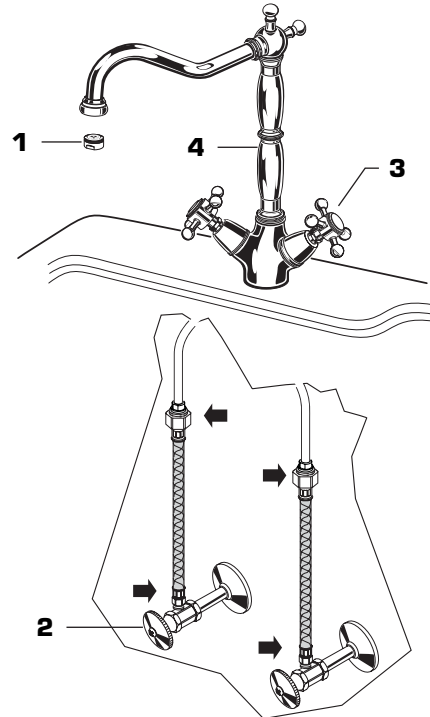
- Connect water supplies to **SUPPLY ADAPTERS (1)** with **1/2" IPS FLEXIBLE SUPPLIES (2)** or **3/8" O.D. BULL-NOSE RISERS (3)**.
- Use tubing cutter to cut to proper length.
- Connect the **HOT** to the left supply and the **COLD** to the right supply.
- Use adjustable wrench on coupling nut and another wrench on supply adapters to prevent twisting of supply tubes. Tighten connections. Do not over tighten. Be careful not to kink copper supply when bending.



## 3

### TEST INSTALLED FAUCET

- Remove **AERATOR (1)**. With handles in **OFF** position, turn on **WATER SUPPLIES (2)** and check all connections for → leaks.
- Operate both **HANDLES (3)** to flush water lines thoroughly. Rotate **SPOUT (4)** in both directions. Replace **AERATOR (1)**.



## 4

### SERVICE

- To change direction of handle rotation, proceed as follows:
  - Turn valve to **OFF** position.
  - Remove **INDEX CAP (1)**. Remove **HANDLE SCREW (2)**.
  - Pull off **HANDLE (3)** and pull off **HANDLE BASE (4)**.
  - Remove **SPRING CLIP (6)**.
  - Lift **STOP WASHER (5)**, turn **90°** and replace.
  - Replace **SPRING CLIP (6)**.
  - Reinstall **HANDLE BASE (4)** and **HANDLE ASSEMBLY (3,2,1)**.

#### If faucet drips proceed as follows:

- Aerator may accumulate dirt causing distorted and reduced water flow. Remove aerator and rinse clean.
- If spout drips, operate handles several times from **ON** to **OFF** position. Do not force-handles turn only **90°**.

