



Certified to comply with ANSI A112.18.1M
M965106

streaming™ SINGLE CONTROL KITCHEN FILTER FAUCET

Thank you for selecting American-Standard...the benchmark of fine quality for over 100 years.
To ensure that your installation proceeds smoothly—please read these instructions carefully before you begin.

The system and installation shall comply with applicable state and local regulations.

RECOMMENDED TOOLS



Regular Screwdriver



Phillips Screwdriver



Adjustable Wrench

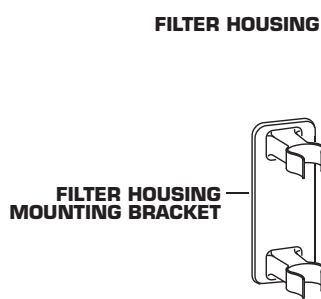
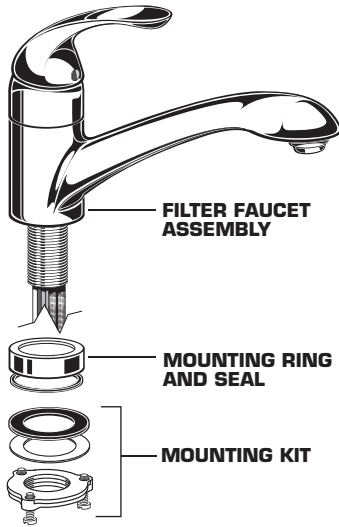


Channel Locks

UNPACKING

All American Standard Products Are Water Tested At Our Factory.
Some Residual Water May Remain In The Valve During Shipping.

1. Remove the Filter Faucet items from the carton. The illustration below shows all items after they have been removed from the carton. Some items may be packaged partially assembled to other items.



FILTER HOUSING

FILTER HOUSING MOUNTING BRACKET



F30 FILTER



*WATER BOTTLE

*Note: The water bottle has not been evaluated to the NSF/ANSI 42 and 53 standards.

1 INSTALL FAUCET

CAUTION

Turn off water at main supply.

■ Installation with **MOUNTING RING**: Place **MOUNTING RING (1)** over the hole in the sink or mounting surface. Make sure **SEAL (4)** is installed into the recess of the **MOUNTING RING (1)**. Insert all **HOSES (2)** and **SHANK (3)** through **MOUNTING RING (1)** and mounting surface. *Figure A.*

■ Assemble **RUBBER WASHER (6)**, **BRASS WASHER (7)** and threaded **LOCKNUT (8)** onto **SHANK (3)** from underside of sink or mounting surface. Hand tighten **LOCKNUT (8)**. Check that rotation of **HANDLE (5)** from **HOT** to **COLD** is centered. *Figure B.*

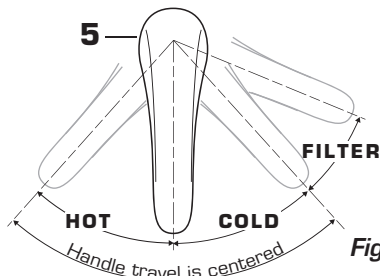


Figure B.

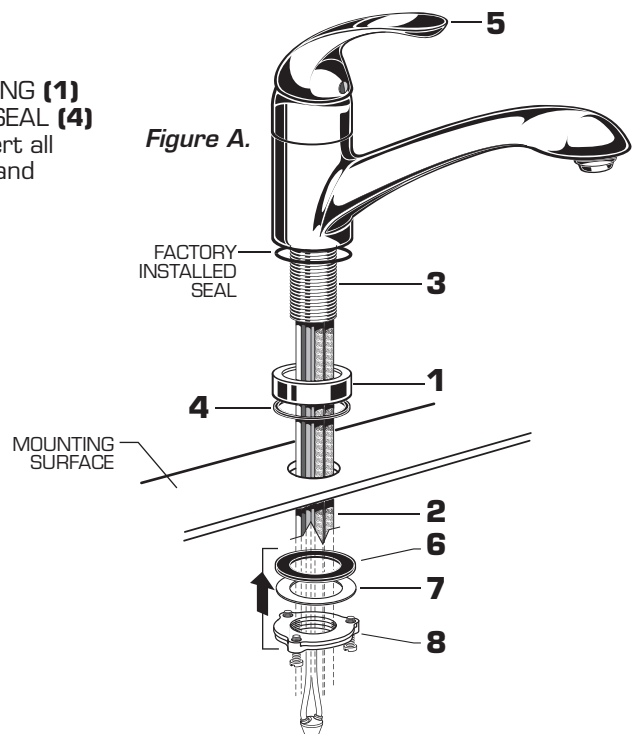
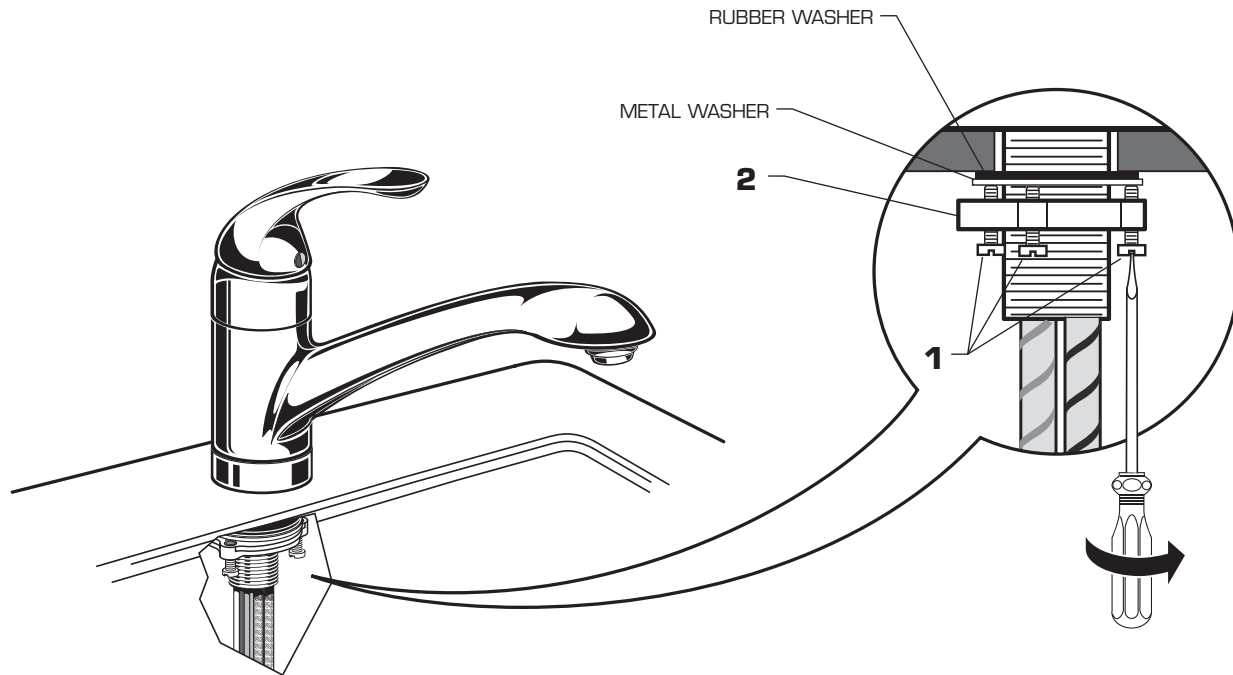


Figure A.

2 SECURE FILTER FAUCET TO MOUNTING SURFACE

- Use a screwdriver to tighten SCREWS (1) on LOCKNUT (2). Work your way around LOCKNUT (2), tightening the SCREWS (1) slightly each time until all are snug to ensure even pressure.

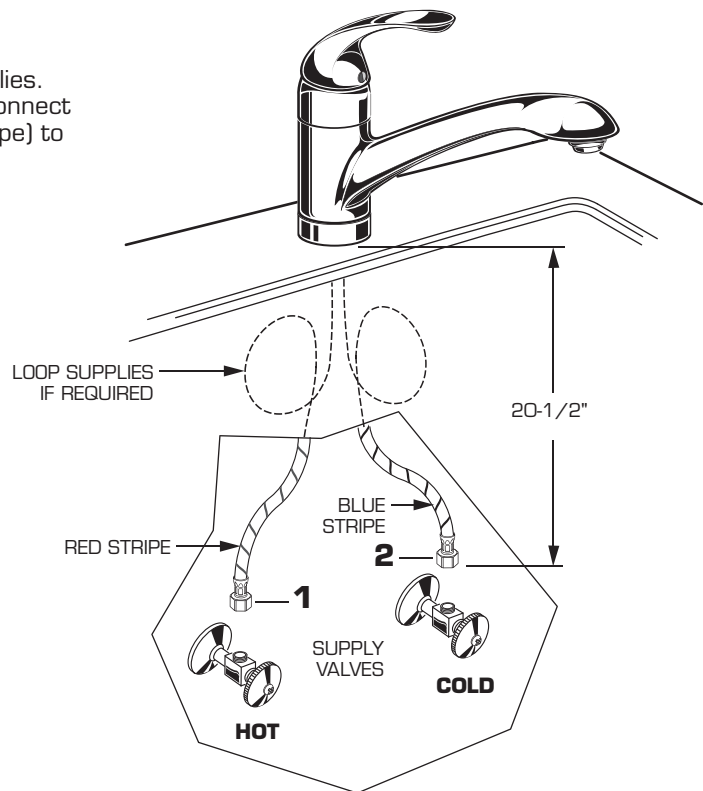


3 CONNECT HOT AND COLD WATER SUPPLIES

- Turn off hot and cold water supplies before beginning.
- Connect FLEXIBLE SUPPLIES (1, 2) directly to wall supplies. Connection on fitting supplies are 3/8" compression. Connect left supply (Red Stripe) to Hot and right supply (Blue Stripe) to the Cold wall supply. Use adjustable wrench to tighten connections. Do not over tighten.
- Faucet supplies are 20-1/2" long from base of faucet.

Note: If longer supply length is required, installer must purchase additional parts separately.

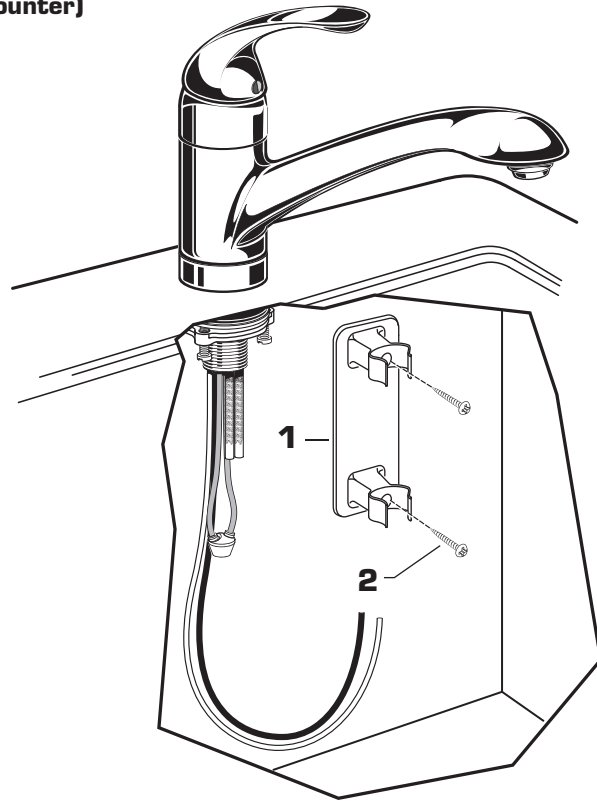
Important: If SUPPLY HOSES (1, 2) are too long, loop as illustrated to avoid kinking.



4 FILTER HOUSING BRACKET INSTALLATION (Below counter)

Important: Before mounting the FILTER HOUSING MOUNTING BRACKET make sure that the Blue and White Hoses will be able to reach the connectors on the FILTER HOUSING bottom. Do not kink the Blue and White Hoses.

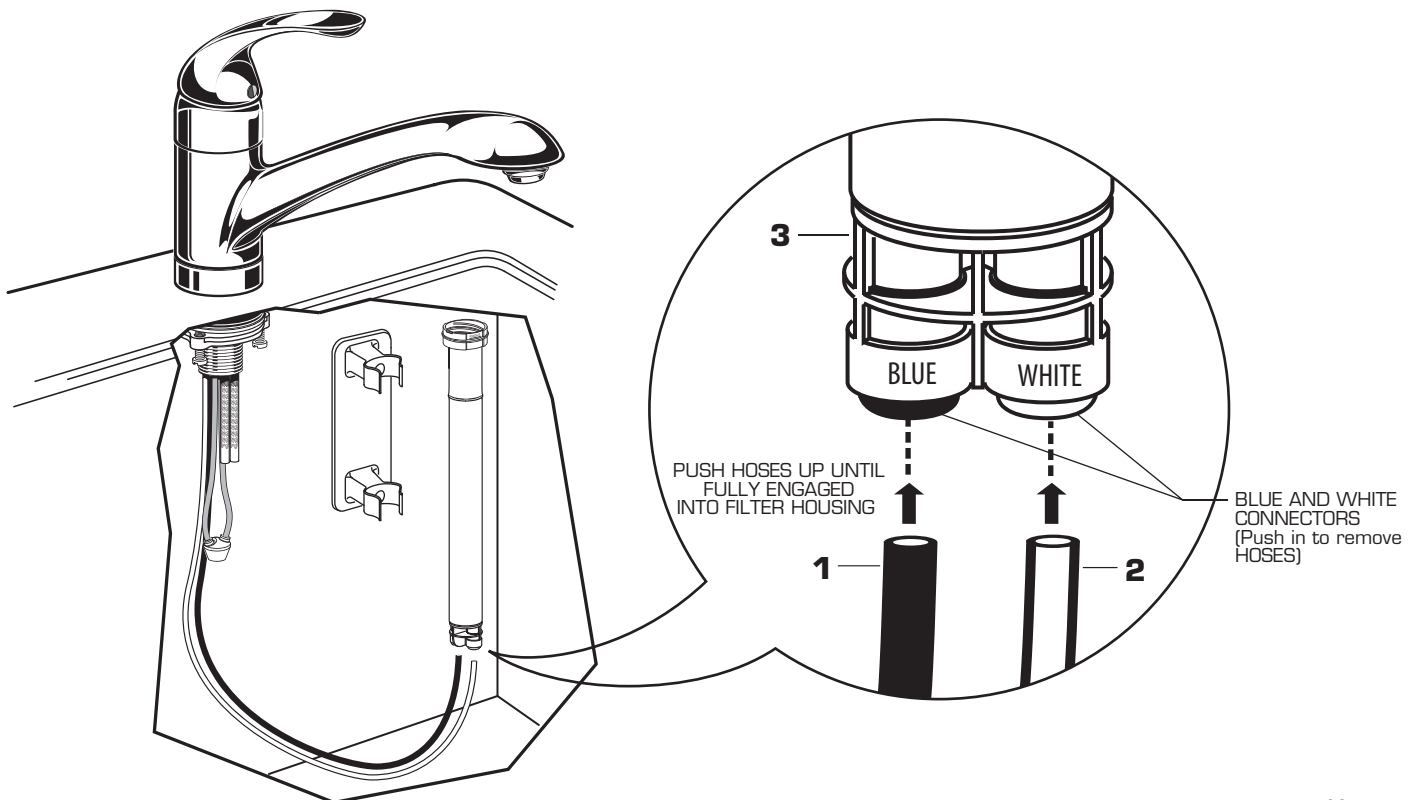
- Attach the FILTER HOUSING MOUNTING BRACKET (1) to the inside of the kitchen cabinet below the counter. Use the SCREWS (2) provided.



5 ATTACH FILTER LINES

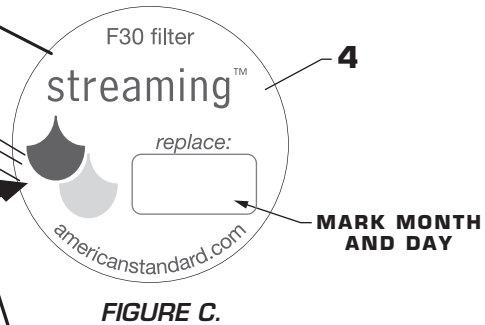
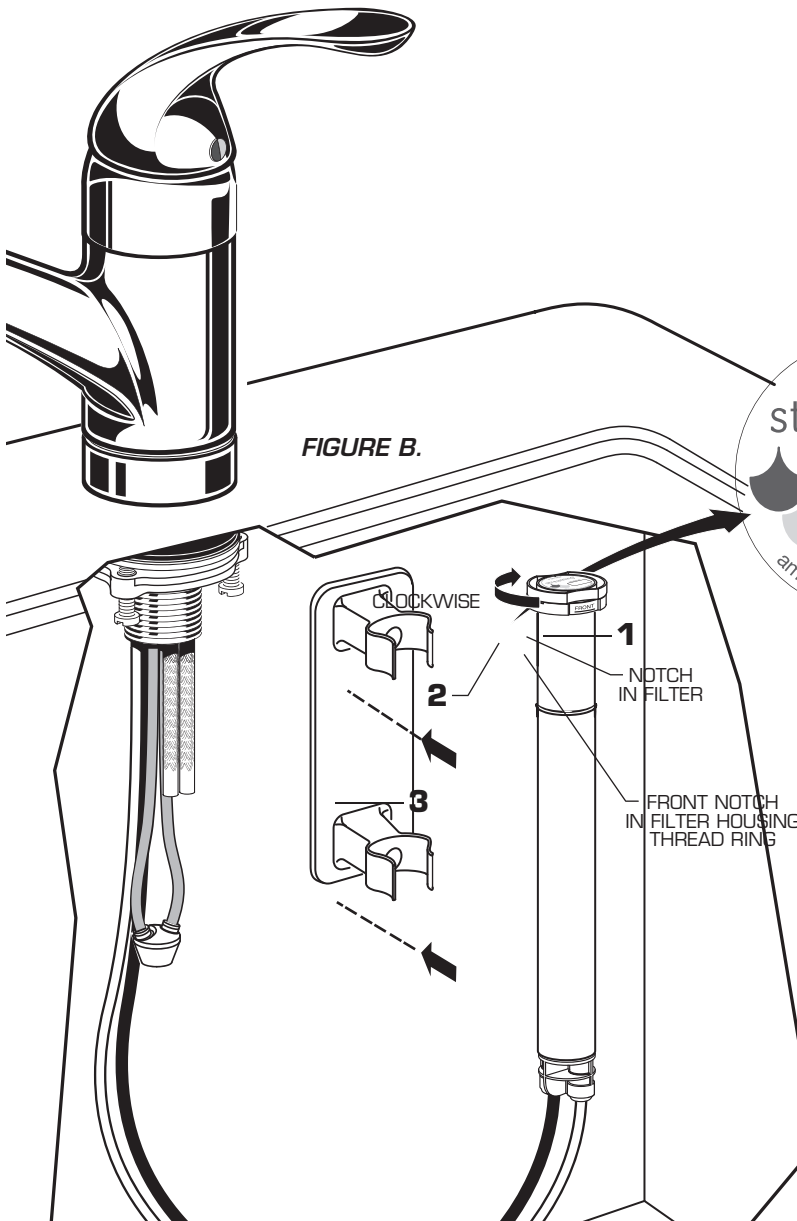
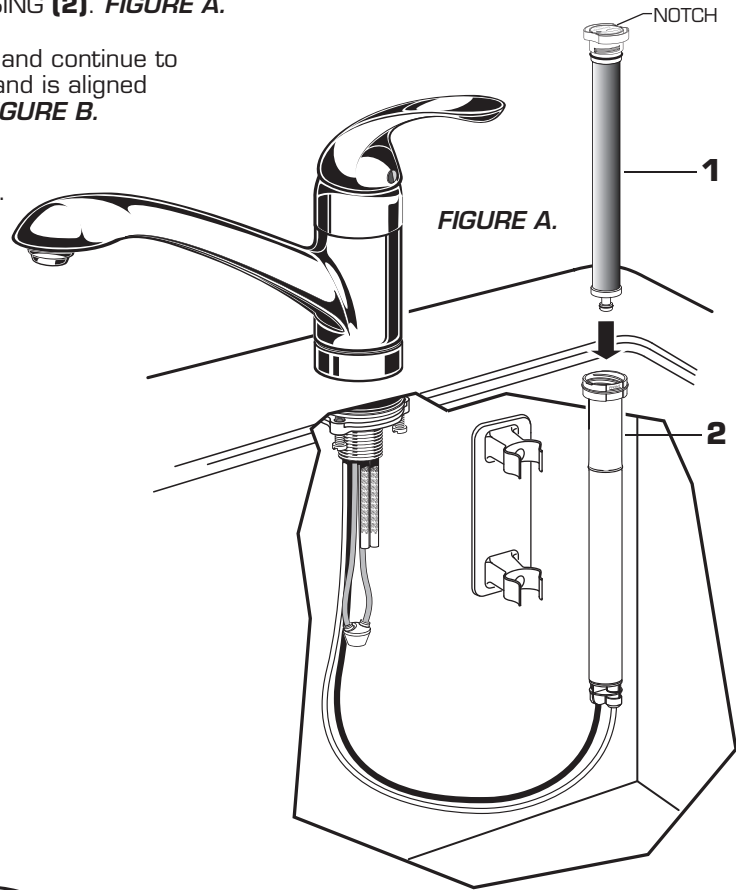
- Push the BLUE HOSE (1) into the Blue Quick Connect Union and the WHITE HOSE (2) into the White Quick Connect Union at bottom of the FILTER HOUSING (3). The HOSES (1, 2) must be fully engaged or the connection will leak.

Note: How to disconnect the HOSES (1, 2) from the FILTER HOUSING (3). Push and hold the Blue or White connector in. While holding the connector in, pull out the Hose.



6 FILTER INSTALLATION

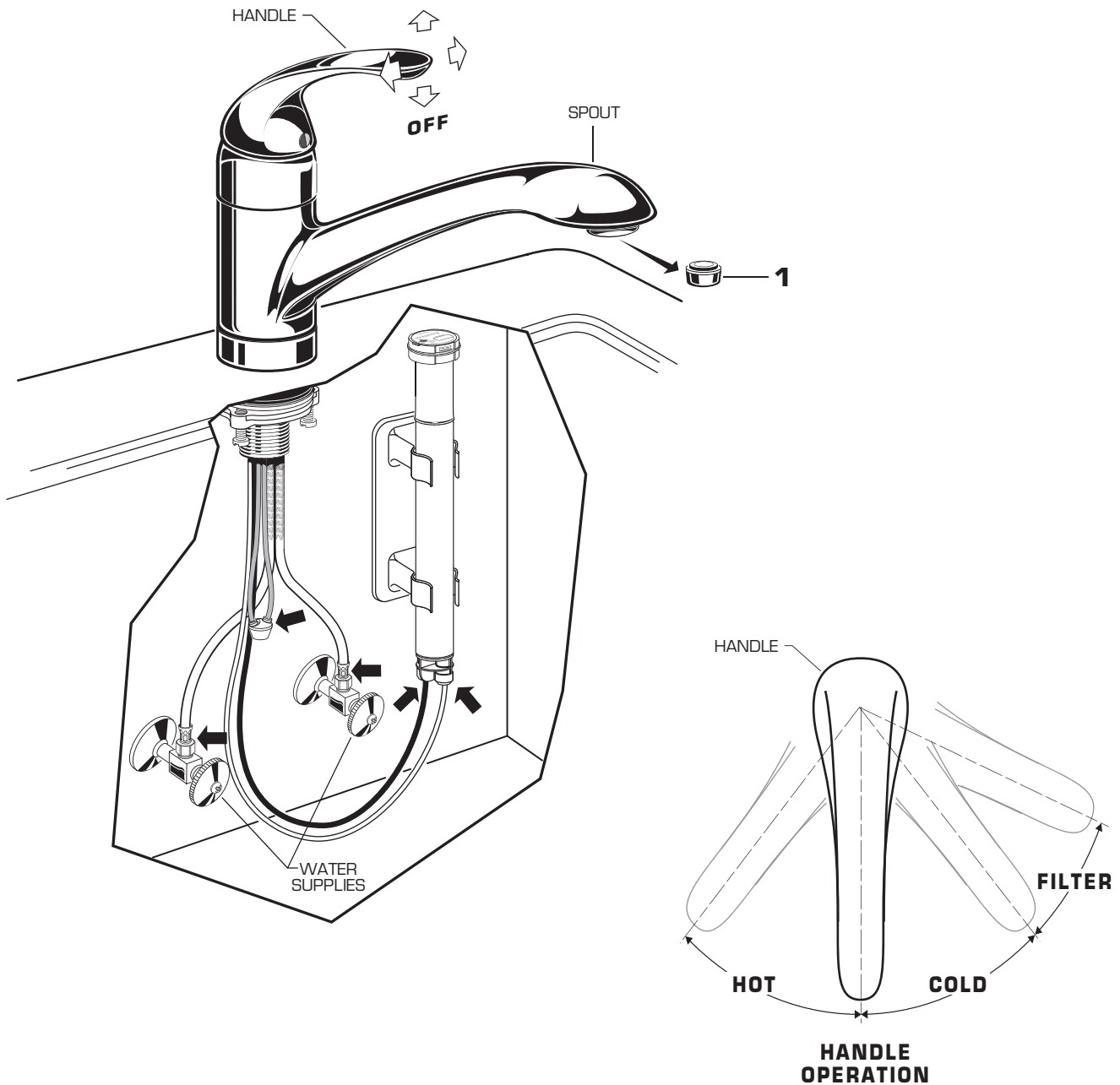
- Soak FILTER (1) in clean water for 15 minutes to saturate the carbon based FILTER (1). Insert the FILTER (1) into the top of the FILTER HOUSING (2). **FIGURE A.**
- Turn the FILTER (1) clockwise to engage the threads and continue to turn until the notch on the FILTER (1) faces forward and is aligned with notch in the FILTER HOUSING (2) thread ring. **FIGURE B.**
- Use permanent ink to mark the filter replacement date (month and day) on the INDICATOR STICKER (4). This date should be 3 months from the date of installation. **FIGURE C.**
- Push the FILTER HOUSING (2) with the installed FILTER (1) into the FILTER HOUSING MOUNTING BRACKET (3). **FIGURE B.**



7 TESTING INSTALLED FAUCET AND FILTER OPERATION

- Move handle into "OFF" position and remove Aerator **(1)**.
- Turn on water supplies and check connections ➔ for leaks.
- Operate handle up and down, left and right to flush water lines thoroughly.
- Move the Faucet Handle in filtered water position (handle in the off, far right position). There will be a small resistance as the Handle is moved into the filter position.
- Flush to drain for 5 minutes.
- Replace the aerator.

The Filter Faucet installation is now complete. Please carefully read the operation instructions to ensure optimal performance.



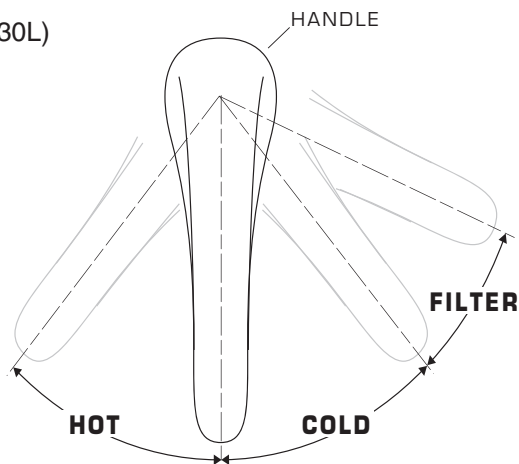
Operating Specifications

- Capacity: Streaming™ Filter has a rated service life of 250 gallons (930L)
- Pressure requirement: 20 - 125 psi (0.7 - 8.6 bar)
- Temperature: 35 - 100°F (2-38°C)
- Flow Rate: 0.70 gpm (2.65 lpg)

Water Filtering System Faucet Operating Instructions

Water Delivery

- The Filter Faucet provides four options for water delivery: Unfiltered cold, mixed or hot water and Filtered cold water.
- Unfiltered water is delivered from the normal faucet Aerator. Filtered water is delivered from the Filter Water Nozzle, which is positioned in back of Aerator.
- **COLD, FILTERED WATER:**
With the Faucet handle in the closed position move the faucet handle to the right. Push the Faucet Handle past the resistance and filtered water will begin to flow from the Filter Water Nozzle.



Filter Cartridge Replacement

Replacement (**F30**) filters can be purchased online at www.americanstandard-us.com. Enter "F30" in the search bar at the top and follow the ordering instructions.

OR

Scan the QR code with your web enabled smart phone to load the web page to place order. Carrier charges may apply.

The Filter Cartridge should be left in protective film until ready for installation. The **F30** Filter Cartridge is a high performance carbon based filter developed specially by American Standard for the "streaming™ Filter Faucet".

Note: Use only F30 Filter Cartridges with the streaming™ Filter Faucet.

How To Replace the OLD Filter with a NEW Filter

- Remove the Filter Housing from the Mounting Bracket.
- Turn the Filter counter clockwise until the Filter pops out of the Filter Housing. Discard the old Filter.
- Remove the protective wrapping from the replacement Filter Cartridge.
Important: Soak Filter in clean water for 15 minutes to saturate.
- Insert the Filter into the top of the Filter Housing.
- Turn the Filter clockwise to engage the threads and continue to turn until the notch on the Filter faces forward and is aligned with notch in the Filter Housing thread ring.
- Use permanent ink to mark the Filter replacement date (month and day) on the Indicator Sticker. This date should be 3 months from the date of installation.
Refer to Step 6 in the installation instructions for more detailed information.
- Push the Filter Housing with the new Filter into the Filter Housing Mounting Bracket.
- Turn the faucet handle to the filtered water position and allow filtered water to flow.
- Allow cold water to run through the new filter to flush the system for 5 minutes.

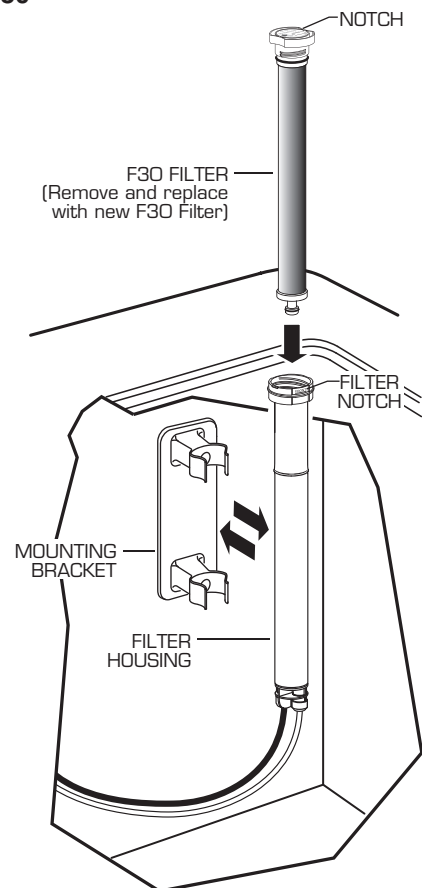


System Tested and Certified by NSF International against **ANSI/NSF Standard 42** for the reduction of Chlorine, Taste and Odor, Particulate, Class **I**, and against **ANSI/NSF Standard 53** for the reduction of Lead.

Do not use with water that is microbiologically unsafe or of unknown quality without adequate disinfection before or after the system.

"Important Notice; Read the Manufacturer's Performance Data Sheet"

QR Code

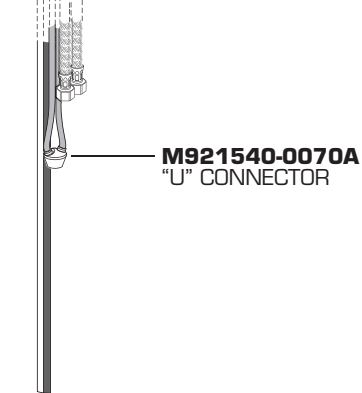
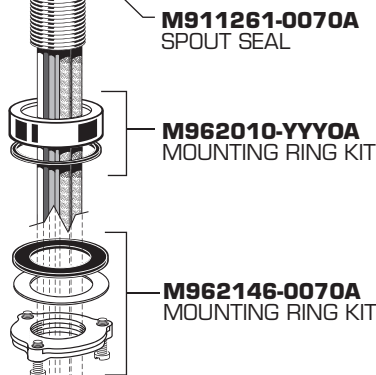
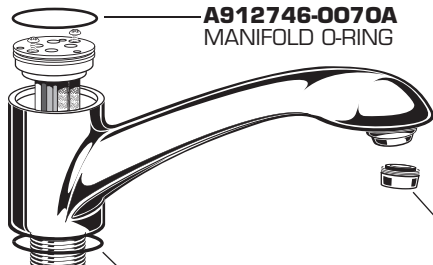
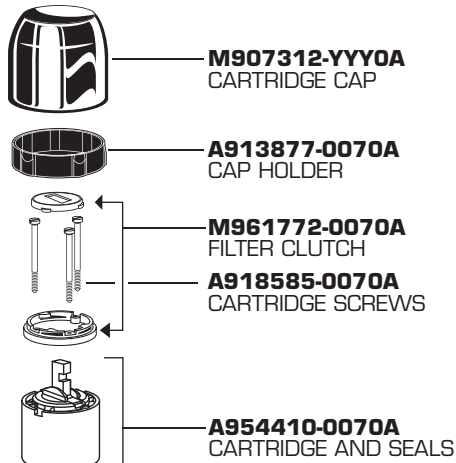


M965106

streaming™ SINGLE CONTROL KITCHEN FILTER FAUCET

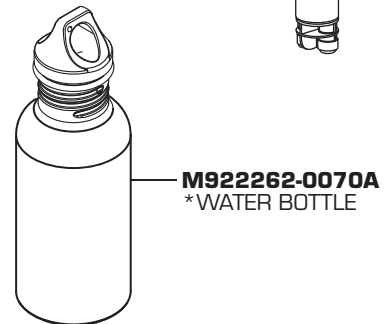
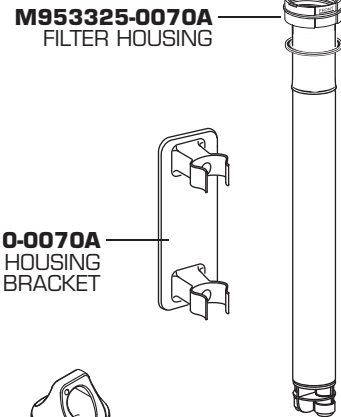
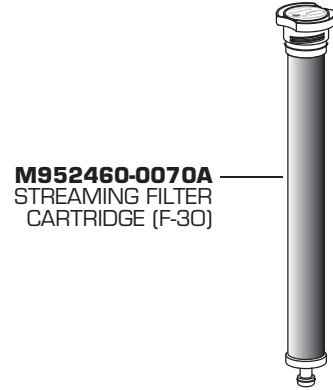
MODEL NUMBERS

4662.001



REPLACE THE "YYY" WITH
APPROPRIATE FINISH CODE

CHROME	002
STAINLESS STEEL	075



**Note: The water bottle has not been evaluated to the NSF/ANSI 42 and 53 standards.*



HOT LINE FOR HELP

For toll-free information and answers to your questions, call:
One Centennial Avenue, Piscataway, NJ 08855
1-800-442-1902
Weekdays 8:00 a.m. to 6:00 p.m. EST
IN CANADA 1-800-387-0369 (TORONTO 1-905-306-1093)
Weekdays 8:00 a.m. to 7:00 p.m. EST
IN MEXICO 01-800-839-1200

Product names listed herein are trademarks of American Standard Inc.
© AS America, Inc. 2010