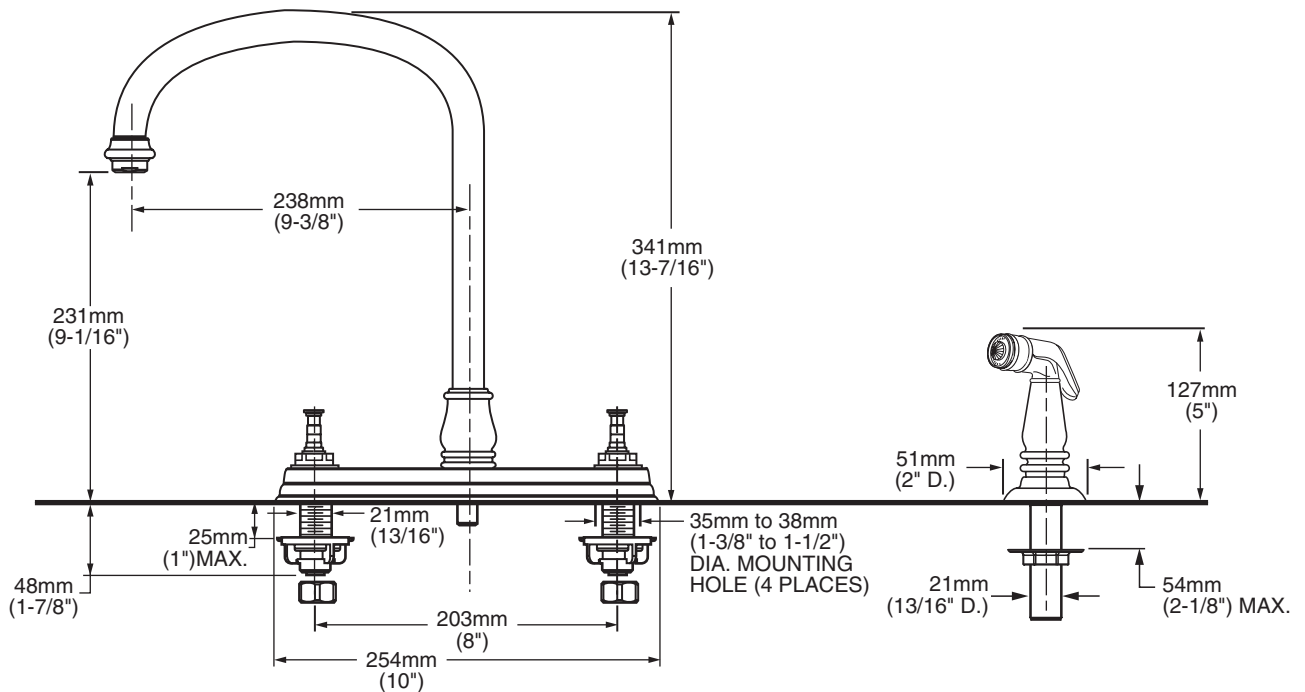




4771.712 Shown

**MODEL NUMBER:**

- 4771.712 Top-Mount Kitchen Faucet**  
 Color-matched Handspray. Porcelain lever handles.
- 4771.732 Top-Mount Kitchen Faucet**  
 Color-matched Handspray. Metal lever handles.



**GENERAL DESCRIPTION:**

Durable brass construction. 1/4 turn washerless ceramic disc valve cartridges - reversible for use with either lever or cross handles. Brass 22mm (7/8") diameter swivel spout. Metal escutcheon plate (escutcheon size 10"L x 2-3/8"W). Color-matched hand spray. One-half inch male inlet shanks with brass coupling nuts. 2.2 gpm/8.3 L/min. maximum flow rate.

**PRODUCT FEATURES:**

**Ceramic Disc Valve Cartridges:** Assures a lifetime of drip-free performance.

**Brass Construction and Cast Brass Waterway:** Durable - Excellent in high use applications. Ideal for prolonged contact with water.

**Larger Spout:** Increased spout height, reach and diameter.

**Lead Free:** Faucet contains ≤ 0.25% total lead content by weighted average.

**Choice of Finishes:** Available in a wide range of durable finishes.

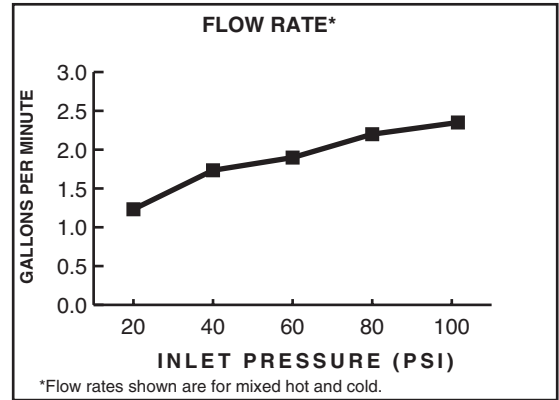
**SUGGESTED SPECIFICATION:**

Two handle top-mount kitchen faucet shall feature brass construction with all brass inlet shanks and coupling nuts. Brass swivel spout. Shall also feature 1/4 turn washerless ceramic disc valve cartridges that are reversible for use with cross or lever handles. Faucet shall be American Standard Model # 4771.\_\_\_\_.\_\_\_\_.

**CODES AND STANDARDS**

These products meet or exceed the following codes and standards:

- ASME A112.18.1
- CSA B 125
- NSF 61/Section 9 & Annex G



Product Number	Description	Finish Options		
		Polished Chrome	PVD Polished Brass	PVD Satin Nickel
		002	099	295
4771.712	Kitchen faucet. Color-matched Handspray. Porcelain lever handles.			
4771.732	Kitchen faucet. Color-matched Handspray. Metal lever handles.			

Meets the American Disabilities Act Guidelines and **ANSI A117.1** Requirements for the physically challenged.