

ALCOVE SHOWER BASE

Product Features:

- Acrylic with fiberglass reinforcement
- Single threshold unit
- Textured bottom pattern
- Integral self-leveling base
- Integral three-sided, double tiling edge with water retention flange
- Molded-in flood guard
- PVC shower drain with stainless steel drain plate

6032.STRH ALCOVE SHOWER BASE WITH RIGHT HAND DRAIN

6032.STLH ALCOVE SHOWER BASE WITH LEFT HAND DRAIN

Nominal Dimensions:

1524 x 813 x 184mm
(60" x 32" x 7-1/4")

4832.ST ALCOVE SHOWER BASE

Nominal Dimensions:

1219 x 813 x 184mm
(48" x 32" x 7-1/4")

Compliance Certifications -

Meets or Exceeds the Following Specifications:

- ANSI Z124.2 for Plastic Shower
- ASTM E162 for Surface Flammability
- NFPA 258 for Smoke Density



6032.STRH



4832.ST

To Be Specified - Required:

- Color: (specify American Standard fixture color)

To Be Specified - Optional:

- Metal Drain Plate:
 - 751819-099 in Polished Brass
 - or
 - 751819-295 in Satin Nickel

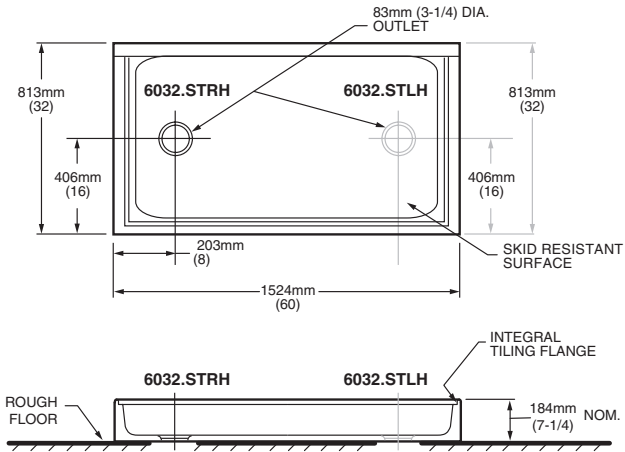
SEE REVERSE SIDE FOR ROUGHING-IN DIMENSIONS AND PRODUCT SPECIFICATIONS

NOTES:

REFER TO INSTALLATION INSTRUCTIONS SUPPLIED WITH SHOWER BASE FOR ADDITIONAL INFORMATION.

IMPORTANT: Dimensions of fixtures are nominal and may vary within the range of tolerances established by ANSI Standard Z124.1 / CSA. These measurements are subject to change or cancellation. No responsibility is assumed for use of superseded or voided pages.

**6032.STRH
6032.STLH**



4832.ST

