

American Standard

**BOTTOM-MOUNTED
KITCHEN FAUCETS**

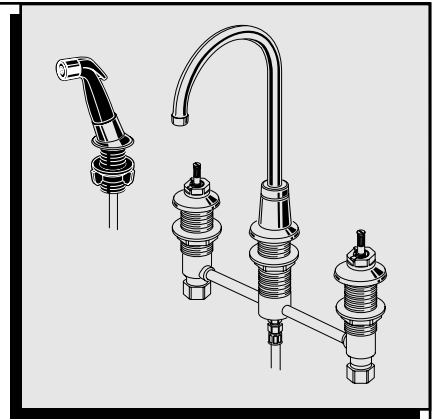
**Installation
Instructions**

HERITAGE
AMARILIS

**7230 SERIES
7231 SERIES
7270 SERIES
7271 SERIES**

AMARILIS

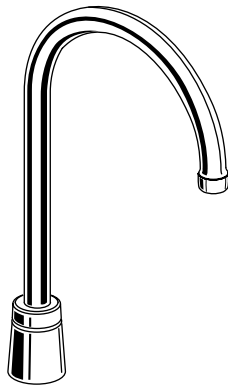
**8280 SERIES
8281 SERIES**



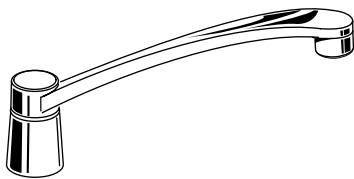
Certified to comply with ANSI A112.18.1M
U.S. Patent No. 5,819,789

To ensure that your installation proceeds smoothly—please read these instructions carefully before you begin.

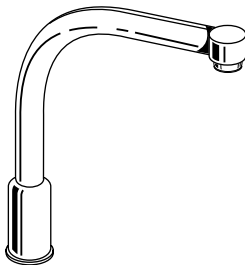
M34450B



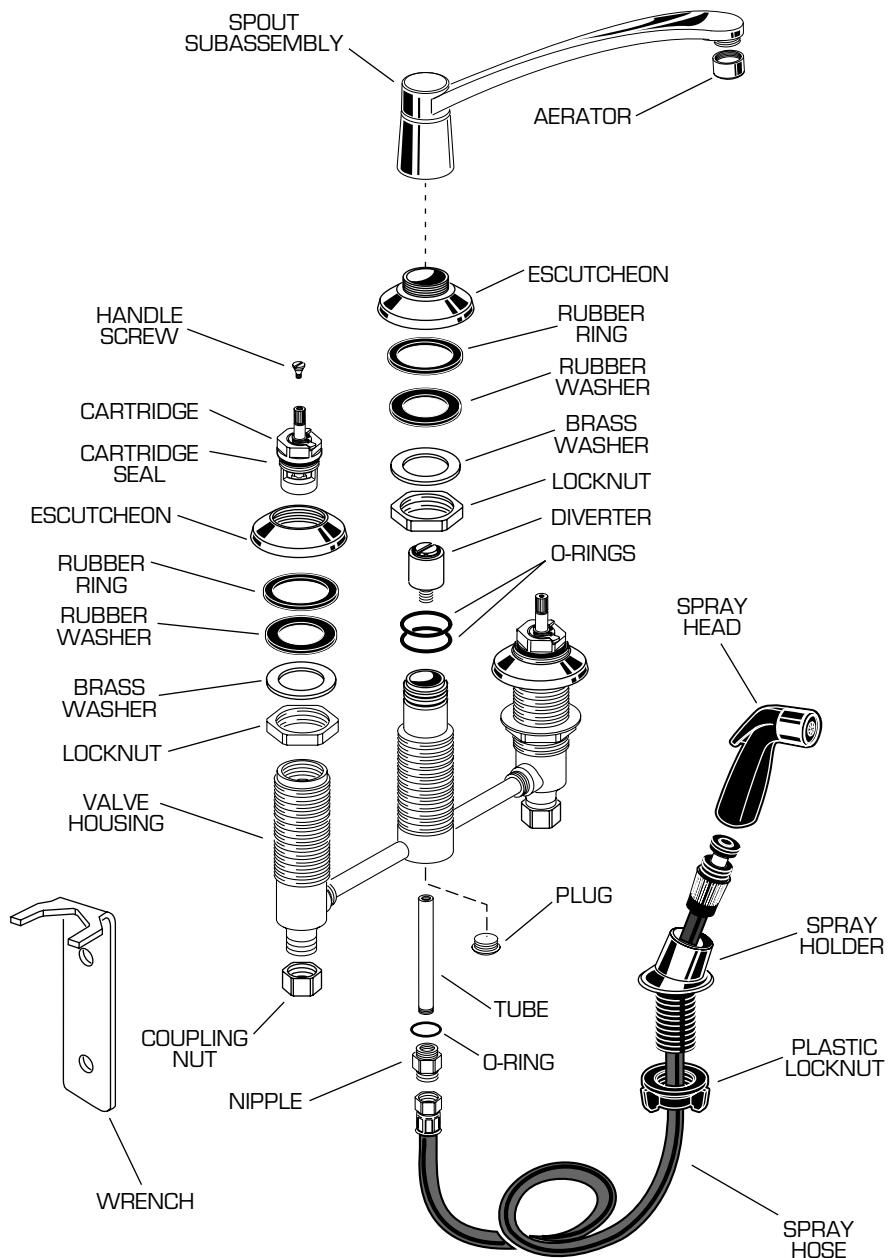
7230 SERIES
GOOSENECK SPOUT



7270 SERIES
D-TUBE SPOUT



8280 SERIES
HI-FLOW SPOUT



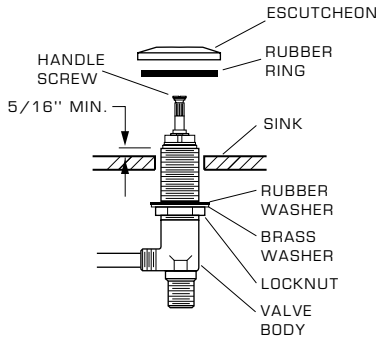
1

CAUTION

Turn off hot and cold water supplies before beginning.

VALVE INSTALLATION

- Remove ESCUTCHEONS with RUBBER RINGS and insert VALVE HOUSING through holes from underside of SINK. Thread of all three VALVE SHANKS should extend at least 5/16 inch above SINK top. If necessary, adjust LOCKNUTS.
- Place RUBBER RINGS into ESCUTCHEONS' recess and thread ESCUTCHEONS onto VALVE HOUSING until snug against internal stop.
- Center VALVE HOUSING on SINK and tighten LOCKNUTS (3) using WRENCH supplied with faucet.
- Connect the HOT water supply to the left valve and the COLD water supply to the right valve using sealant, appropriate connectors, and COUPLING NUTS.

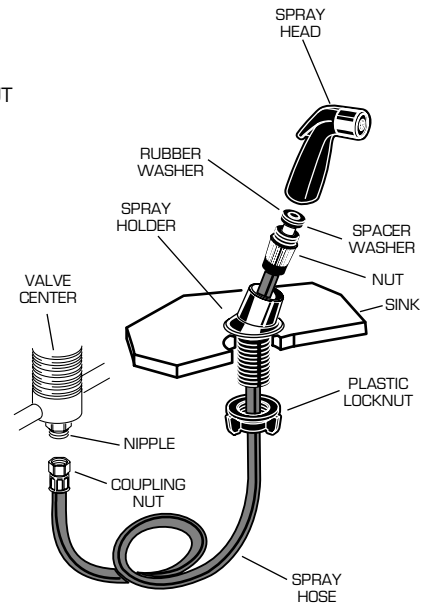


2

HAND SPRAY INSTALLATION

FOR MODEL 7231 AND 7271 ONLY:

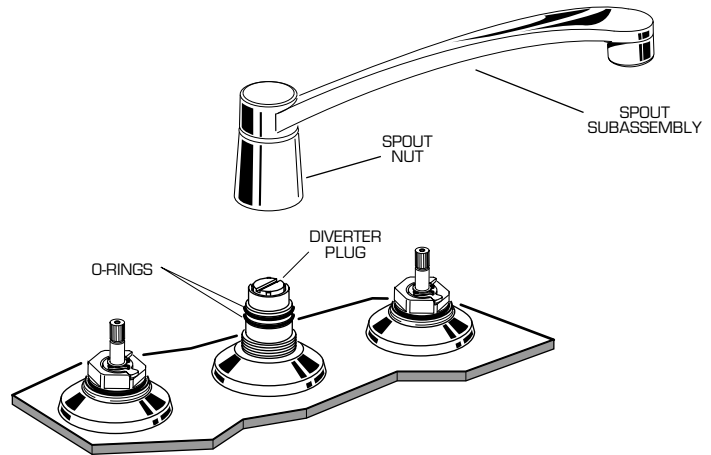
- Place SPRAY HOLDER into separate hole of SINK.
- Assemble PLASTIC LOCKNUT onto SHANK of SPRAY HOLDER and tighten.
- Feed SPRAY HOSE through SPRAY HOLDER and attach COUPLING NUT of HOSE to NIPPLE of VALVE CENTER. Tighten COUPLING NUT firmly.
- Make certain that SPACER WASHER and RUBBER WASHER are attached to SPRAY HOSE and thread SPRAY HEAD to NUT.



3

SPOUT INSTALLATION

- Check that both O-RINGS are properly seated on the valve center.
FOR MODELS WITH HAND SPRAY: Check that the DIVERTER PLUG is free and can move up and down.
- Apply the grease (provided) liberally to the O-RINGS.
- Push the SPOUT SUBASSEMBLY on to the VALVE CENTER and tighten the SPOUT NUT until snug on valve body.



4

TEST INSTALLED FAUCET

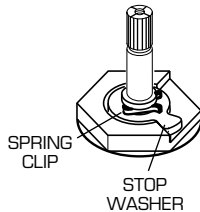
- Remove AERATOR.
- With handle in OFF position, turn on water supplies and check all connections for leaks.

- Operate both handles to flush water lines thoroughly. Check spout mounting and hose connections for leaks.
- Turn handles into OFF position and replace AERATOR.

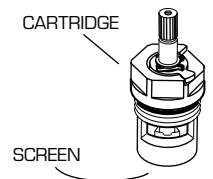
5

SERVICE

- To change direction of handle rotation, proceed as follows:
 - Turn valve to OFF position.
 - Remove INSERT and HANDLE SCREW.
 - Slip HANDLE with ADAPTER off.
 - Remove SPRING CLIP.
 - Lift STOP WASHER, turn 90° and replace.
 - Replace SPRING CLIP.
 - Replace ADAPTER, HANDLE, SCREW, and INSERT.
- AERATOR may accumulate dirt causing distorted and reduced water flow. Remove AERATOR and rinse clean.



- If spout drips, operate handles several times from OFF to ON position. Do not force - handles turn only 90°.
- Plastic SCREEN in CARTRIDGE may accumulate dirt causing reduced water flow. To clean, first turn off hot and cold water supplies, then:
 - Remove INSERT and HANDLE SCREW.
 - Slip HANDLE with ADAPTER off.
 - Unscrew CARTRIDGE with wrench.
 - Thoroughly rinse plastic SCREEN at base of CARTRIDGE.
 - Replace CARTRIDGE until flange is tight against valve body.
 - Turn valves OFF.
 - Replace ADAPTER, HANDLE, SCREW, and INSERT.



HOTLINE FOR HELP

For toll-free information and answers to your questions, call:

1 (800) 223-0068

Weekdays 8:00 a.m. to 4:00 p.m. Eastern Time

Product names listed herein are trademarks of American Standard Inc.
©American Standard Inc. 1999

M34450B