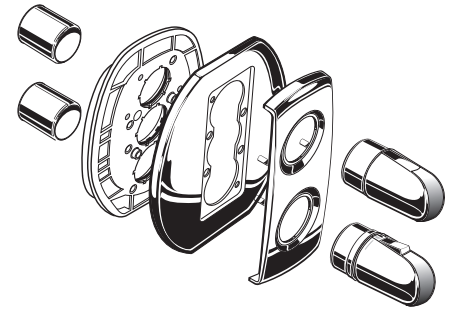


American Standard

CERATHERM

CENTRAL THERMOSTAT
WITH VOLUME CONTROL
TRIM KIT

Installation Instructions T203740



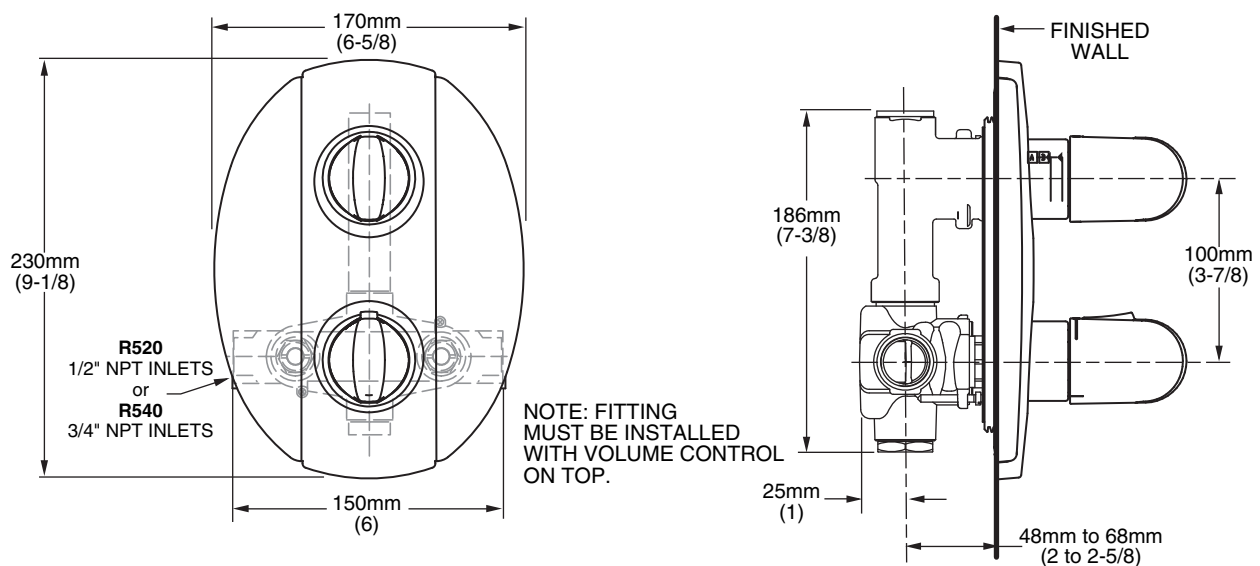
Thank you for selecting American-Standard...the benchmark of fine quality for over 100 years.

To ensure that your installation proceeds smoothly—please read these instructions carefully before you begin.

Certified to comply with ANSI A112.18.1M
ASSE 1016

M968683

ROUGHING-IN DIMENSIONS



Recommended Tools



Flat Blade Screwdriver



Phillips Screwdriver

CARE INSTRUCTIONS:

- To keep your new faucet looking new, please follow these simple care instructions:
 - DO:**
 - Simply rinse the faucet clean with clear water.
 - Dry the faucet with a soft cotton cloth.
 - DO NOT:**
 - Do not use any abrasive cleaners, cloths, or paper towels.
 - Do not use any cleaning agents containing acids, polish abrasives, or harsh cleaners or soaps.
- Regular and routine cleaning will reduce the need for heavy cleaning and polishing. If heavy cleaning is required, the following procedures are recommended:

- Remove as much surface dirt and film using clear water and soft cotton cloth (as described above).
 - Use any of the following to remove tough surface film and build-up:
 - Mild liquid detergents
 - Clear ammonia free liquid glass cleaners
 - Non-acidic, non-abrasive gentle liquid or fully dissolved powder cleansers mixed according to manufacturers directions.
 - Non-abrasive liquid polishers
- Once clean, rinse faucet again with clear water to thoroughly remove cleaner or polish and blot dry with a soft cotton cloth.

Failure to follow these care instructions may damage the Faucet's finish.

1 TRIM INSTALLATION

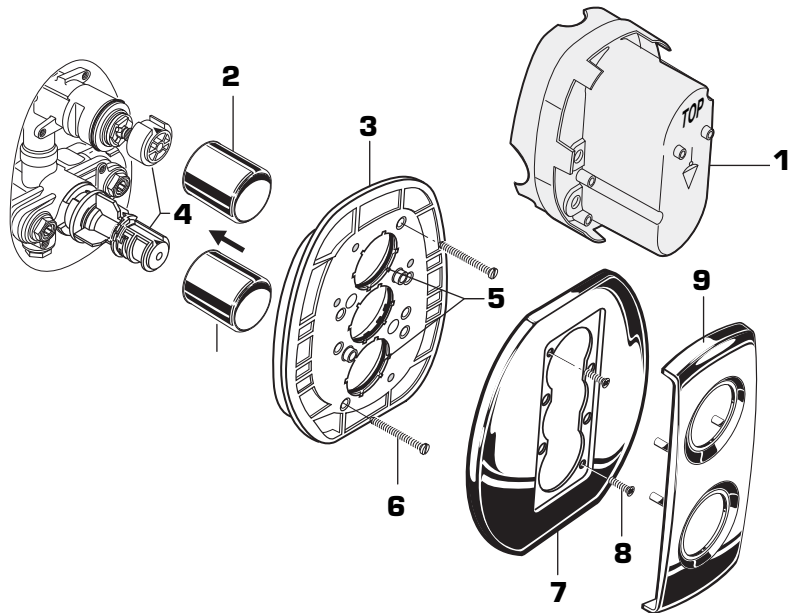
- Remove PLASTER GUARD **(1)** if attached.

Push CAPS **(2 & 2a)** as shown onto CONTROL VALVES **(4)**.

Push ESCUTCHEON HOLDER **(3)** with lightly greased O-RING SEALS **(5)** over CAPS **(2, 2a)**. Attach with the two LONG SCREWS **(6)** provided.

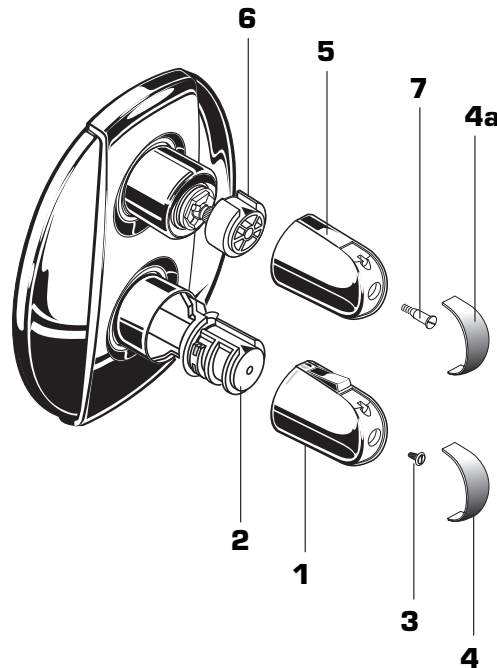
Attach ESCUTCHEON **(7)** to ESCUTCHEON HOLDER **(3)** with the two SHORT SCREWS **(8)** provided.

Align pins in back of DIAL PLATE **(9)** with holes in ESCUTCHEON **(5)** and push DIAL PLATE **(9)** into place.



2 INSTALL HANDLES

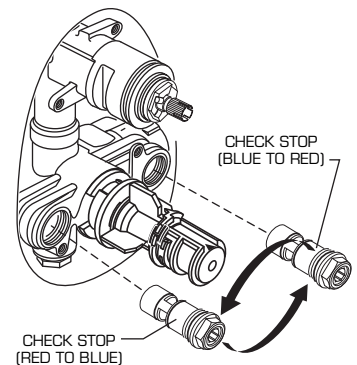
- Push TEMPERATURE-CONTROL KNOB **(1)** (with the red stop button) onto KNOB MOUNT **(2)**.
- Install HANDLE SCREW **(3)** and tighten with screwdriver.
- Push KNOB CAP **(4)** into TEMPERATURE-CONTROL KNOB **(1)**.
- Push VOLUME-CONTROL KNOB **(5)** onto KNOB MOUNT **(6)**.
- Install HANDLE SCREW **(7)** and tighten with screwdriver.
- Push KNOB CAP **(4a)** into VOLUME-CONTROL KNOB **(5)**.



3 TRANSPOSED SUPPLY PIPING OR BACK TO BACK INSTALLATION

Should the hot and cold water supply pipes have been transposed making adjustment impossible, proceed as follows:

- Shut off water supply.
 - Remove handle and rim. (Reverse steps 1 and 2.)
 - Remove check stops and re-install them transposed.
- Important note: RED CHECK STOP is now on the right of the mixer body and the BLUE CHECK STOP is now on the left.
- Turn the water supply back on and perform the temperature adjustment in step 4.
 - Assemble HANDLES and TRIM.

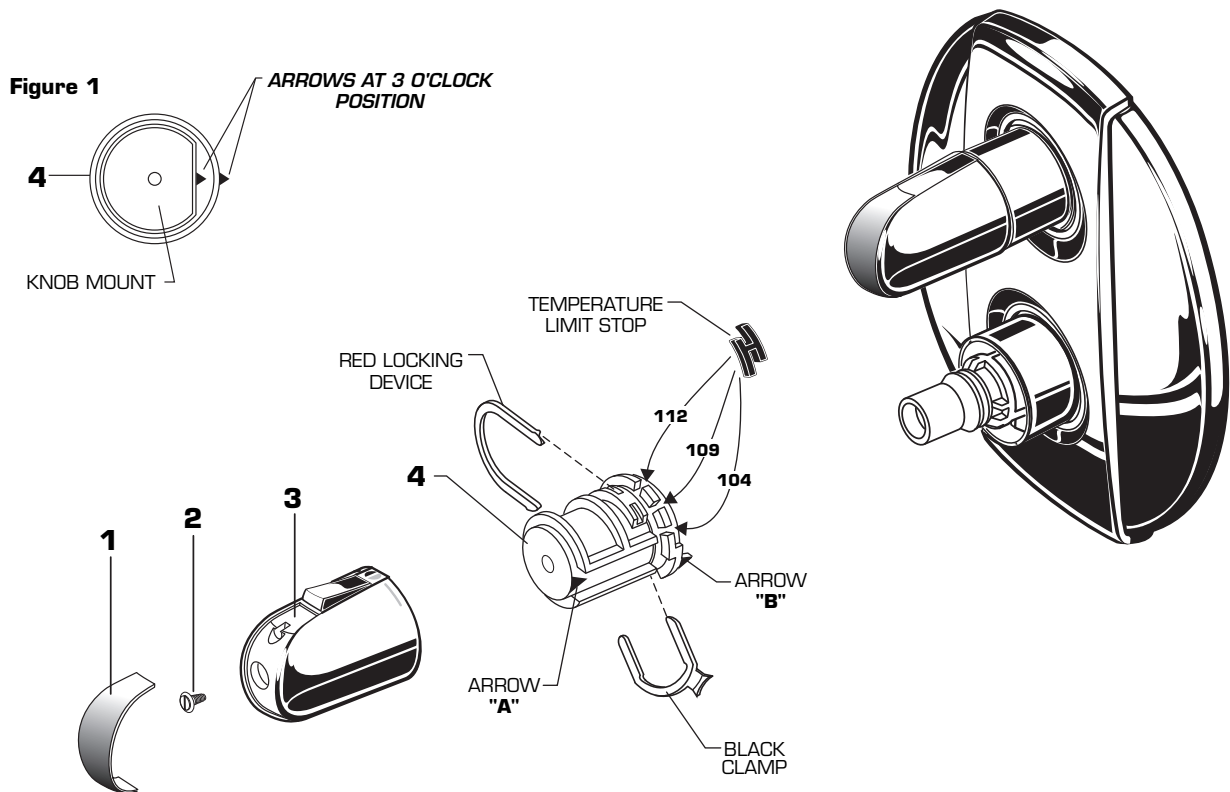


4 TEMPERATURE ADJUSTMENT

- Pull out END CAP (1) and remove HANDLE SCREW (2). Pull off HANDLE ASSEMBLY (3).
- Check that arrow marking B points to the 3 o'clock position. If not, push the BLACK CLAMP on the SECURING RING to the right, pull off KNOB MOUNT (4) and reinstall KNOB MOUNT (4) with arrow "B" 3 o'clock position. See Figure 1.

SET HOT LIMIT STOP

- The maximum mixed water temperature is set at 109°F at the factory. This setting can be changed if desired.
- Remove the TEMPERATURE LIMIT STOP (H shaped Black Plastic part). Reinstall it at the desired notch as indicated in the diagram to limit the maximum mixed water temperature to 104°F or 112°F.
- For 100 F adjustment, turn the water supply on. Turn KNOB MOUNT (4) until the spout temperature is 100°F. Check that arrow "A" on the KNOB MOUNT (4) still points 3 o'clock position after adjusting the thermostat to 100°F. If not, pull out the RED LOCKING DEVICE. Remove KNOB MOUNT (4) by pulling it towards you while standing directly in front of the valve.
- Reinstall the KNOB MOUNT (4) with arrow "A" 3 o'clock position.
- Reinstall RED LOCKING DEVICE.
- See step 3 for HANDLE (3) installation.



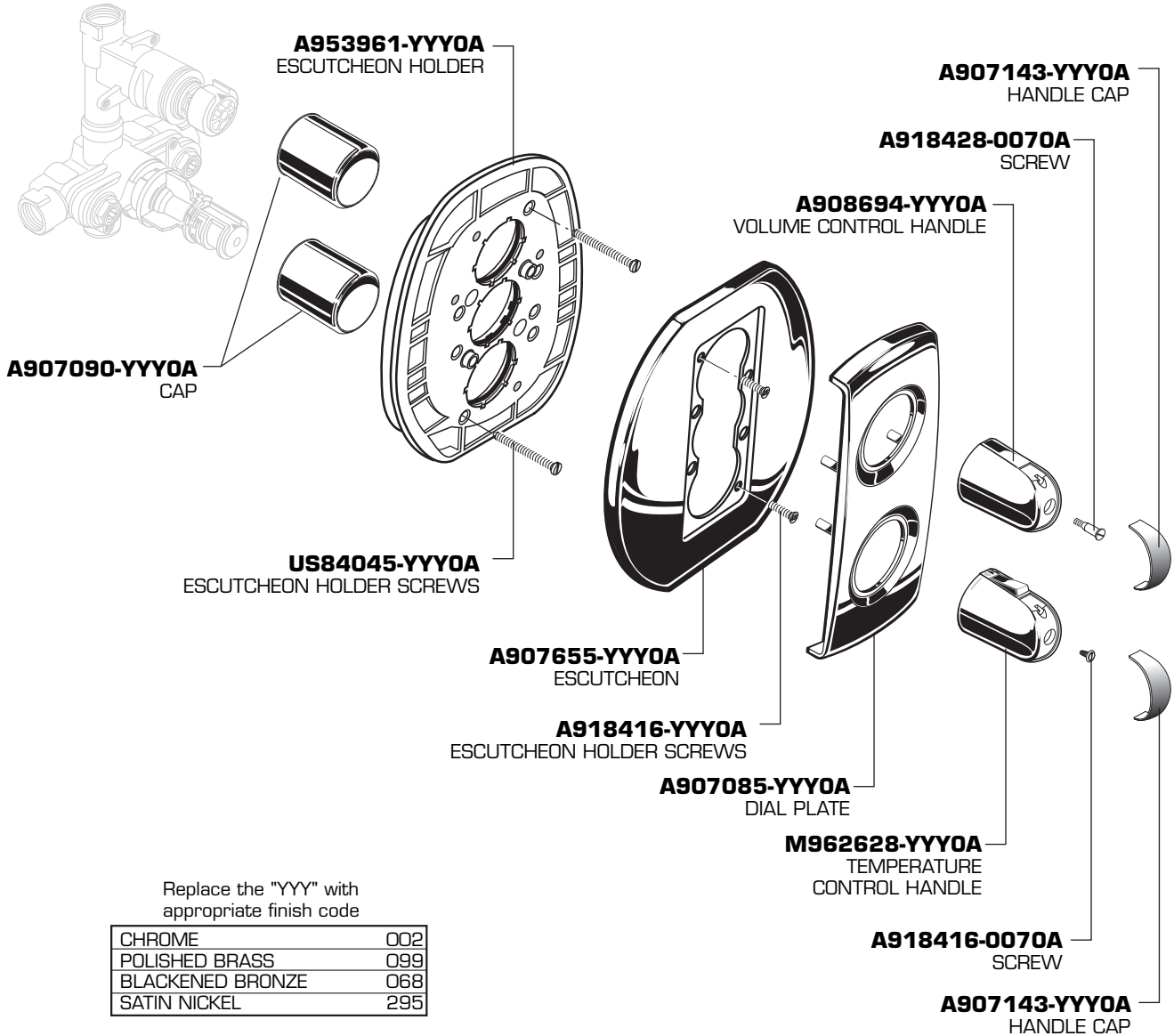
American Standard

CERATHERM

**CENTRAL THERMOSTAT
WITH VOLUME CONTROL
TRIM KIT**

MODEL NUMBER

T203740



Replace the "YYY" with appropriate finish code

CHROME	002
POLISHED BRASS	099
BLACKENED BRONZE	068
SATIN NICKEL	295



HOT LINE FOR HELP

For toll-free information and answers to your questions, call:
1-800-442-1902

Weekdays 8:00 a.m. to 8:00 p.m. EST

IN CANADA 1-800-387-0369 (TORONTO 1-905-306-1093)
Weekdays 8:00 a.m. to 7:00 p.m. EST

Product names listed herein are trademarks of American Standard Inc.

© AS America, Inc. 2007

M968683