

**MURRO™ UNIVERSAL DESIGN
WALL-HUNG LAVATORY WITH EVERCLEAN®**

- Vitreous china with EverClean
- Available with rear and sealed overflow
- Recessed self-draining deck
- For concealed arm or wall support
- Shown with optional vitreous china shroud/
knee contact guard 0059.020EC available
- ADA and TAS compliant

- 0954.004EC** Faucet holes on 102mm (4") Ctrs with overflow (Illustrated)
- 0954.123EC** Faucet holes on 102mm (4") Ctrs with overflow
 - Extra right-hand hole
- 0954.121EC** Faucet holes on 102mm (4") Ctrs with overflow
 - Extra left-hand hole
- 0954.904EC** Faucet holes on 102mm (4") Ctrs less overflow
- 0958.008EC** Faucet holes on 203mm (8") Ctrs with overflow
- 0958.908EC** Faucet holes on 203mm (8") Ctrs less overflow
- 0955.001EC** Center hole only with overflow
- 0955.123EC** Center hole only with overflow
 - Extra right-hand hole
- 0955.121EC** Center hole only with overflow
 - Extra left-hand hole
- 0955.901EC** Center hole only less overflow

Nominal Dimensions:

520mm (20-1/2") deep, 540mm (21-1/4") wide

Bowl sizes:

394mm (15-1/2") wide, 343mm (13-1/2") front to back, 127mm (5") deep

- 0059.020EC Shroud/Knee Contact Guard**
(Vitreous China with EverClean)
(Must be specified separately)

Compliance Certifications -

Meets or Exceeds the Following Specifications:

- ASME A112.19.2 for Vitreous China Fixtures

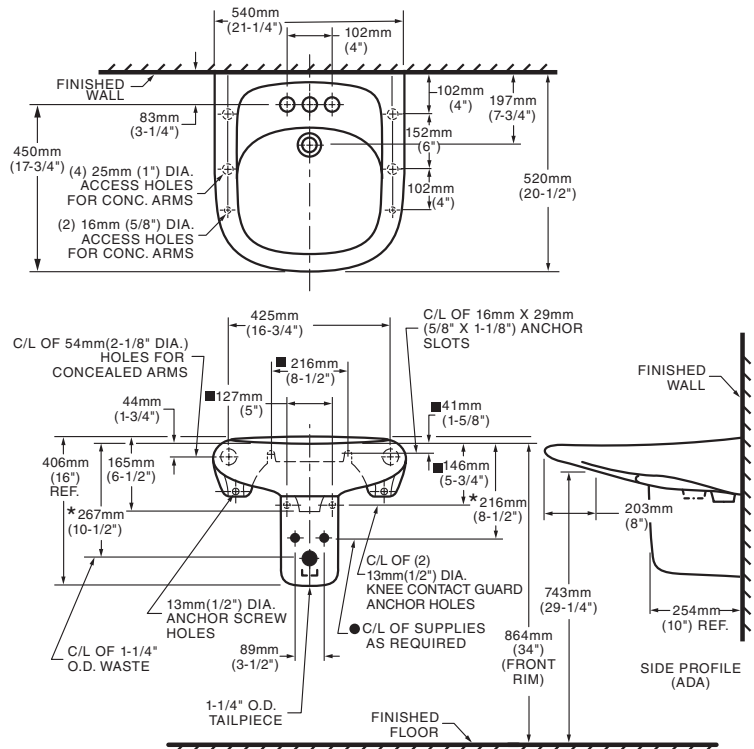
To Be Specified:

- Color: White
- Optional Vitreous China Shroud/Knee Contact guard: 0059.020EC
- Faucet*:
- Faucet Finish:
- Supplies:
- 1-1/4" Trap:
- Nipple:

* See faucet section for additional models available



SEE REVERSE FOR ADDITIONAL ROUGHING-IN DIMENSIONS



NOTES:

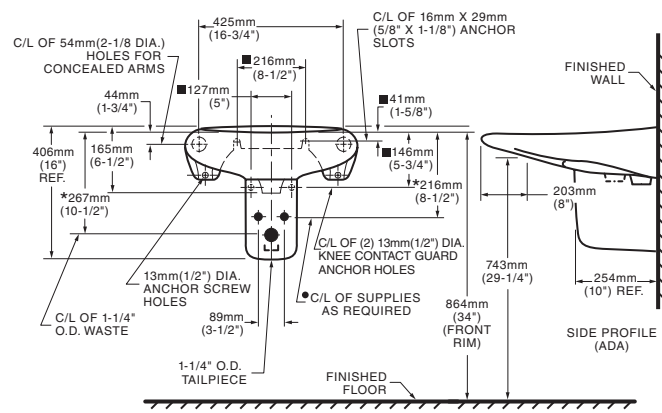
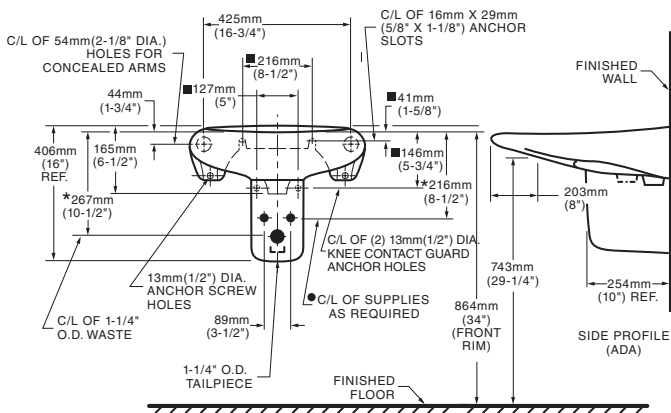
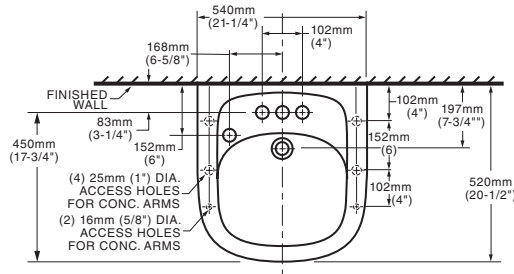
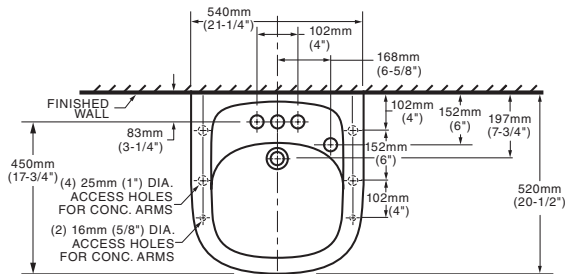
- LOOSE KEY ANGLE STOPS, LESS WALL ESCUTCHEONS. SUPPLIES REQUIRED.
- * DIMENSIONS SHOWN FOR LOCATION OF SUPPLIES AND "P" TRAP ARE SUGGESTED.
- SHROUD/KNEE CONTACT GUARD 0059.020EC NOT INCLUDED AND MUST BE ORDERED SEPARATELY.
- SUITABLE FOR REINFORCEMENT ONLY, ACTUAL DIMENSIONS MUST BE TAKEN FROM FIXTURE.
- FITTINGS NOT INCLUDED AND MUST BE ORDERED SEPARATELY. PROVIDE SUITABLE REINFORCEMENT FOR ALL WALL SUPPORTS. INSTALLATION INSTRUCTIONS SUPPLIED WITH LAVATORY.
- IMPORTANT:** Dimensions of fixtures are nominal and may vary within the range of tolerances established by ANSI Standard A112.19.2. These measurements are subject to change or cancellation. No responsibility is assumed for use of superseded or voided pages.



MEETS THE AMERICANS WITH DISABILITIES ACT GUIDELINES AND ANSI A117.1 ACCESSIBLE AND USABLE BUILDINGS AND FACILITIES - CHECK LOCAL CODES.
Top of front rim mounted 864mm (34") from finished floor.

0954.123EC 4" Ctrs Extra Right Hand Hole

0954.121EC 4" Ctrs Extra Left Hand Hole



0955.123EC Center Hole With Extra Right Hand Hole

0955.121EC Center Hole With Extra Left Hand Hole

