

# Installation Instructions

## CERATRONIC™ Proximity Faucet with Touch-Free Temperature Control

PRODUCT NUMBERS

6058.105  
6058.102



Certified to comply with ASME A112.18.1M  
© 2006 American Standard

M968857 REV.1.2

<b>Product No.'s &amp; Options</b>	<b>1</b>
<b>Specifications</b>	<b>2</b>
<b>How to Install</b>	<b>2-3</b>
<b>Electrical Hook-up</b>	<b>4</b>
<b>Operation</b>	<b>5-6</b>
<b>Maintenance</b>	<b>6-8</b>
<b>FAQ,s</b>	<b>8</b>
<b>Replacement Parts</b>	<b>9</b>

*American Standard*

**NOTE TO INSTALLER: Please give this manual to the customer after installation.**

To learn more about American Standard Faucets visit our website at: [www.us.amstd.com](http://www.us.amstd.com) or U.S. customer's e-mail us at: [faucetsupport@amstd.com](mailto:faucetsupport@amstd.com)

**For Parts, Service, Warranty or other Assistance,**  
please call **1-800-442-1902 (In Canada: 1-800-387-0369)**  
(In Toronto Area only: 1-905-3061093)

**Thank you for selecting American-Standard...the benchmark of fine quality for over 100 years. To ensure that your installation proceeds smoothly--please read these instructions carefully before you begin.**

## UNPACKING

**All American Standard Faucets Are Water Tested At Our Factory. Some Residual Water May Remain In The Faucet During Shipping.**

1. Remove the fitting and loose items from the carton. The illustration below shows the fitting and all loose items after they have been removed from the carton. Some items may be packaged partially assembled to other items.

1. Ceratronic Spout Assembly
2. Mounting Kit
3. Electrical Enclosure
4. Supply Hoses

5. 4" Deck plate ( optional must be ordered separately)
6. 8" Deck plate ( optional must be ordered separately)
7. Optional Remote Control
8. Key for vandal resistant aerator

		Ceratronic Lavatory Faucets	Part Number	Description
Base Product	B a s e P r o d u c t		6058.105	<b>Ceratronic Proximity Faucets</b> <ul style="list-style-type: none"> <li>• Colored LED's signal temperature change mode</li> <li>• Cast spout</li> <li>• Vandal resistant</li> <li>• 0.5/gpm, 1.9L/min Spray</li> <li>• Fully enclosed, water-resistant</li> <li>• AC Plug-in Power supply included</li> <li>• 3/8" SS compression flex hoses, 15" length</li> <li>• Order deck plate and remote control separately (optional)</li> </ul>
			6058.102	<b>Same as above</b> <ul style="list-style-type: none"> <li>• 2.2 gpm/8.3L/min. aerator</li> </ul>
Deck Plate			605P400	<b>4" Deck plate, cast brass</b> <ul style="list-style-type: none"> <li>• 1/4" fixation bolts at 4" centers; Spin nuts</li> </ul>
			605P800	<b>8" Deck plate</b> <ul style="list-style-type: none"> <li>• Cast brass</li> <li>• 1/4" fixation bolts at 8" centers; Spin nuts</li> </ul>
Remote Control			605XRCN	<b>Optional Remote Control</b> <ul style="list-style-type: none"> <li>• Change functions or adjust setup parameters</li> <li>• Battery Powered</li> <li>• Can be used to operate all Selectronic™ fittings and fixtures</li> </ul>

**How to order the Selectronic Product**  
 1. Choose Power Supply  
 2. Choose Desired Spout

**Base Product**

- Single Hole Sink
- Hot and Cold Inlets



**Deck Plate (optional)**

- 1 and 3 Hole Sinks
- Hot and Cold Inlets

**Remote Control**

# Roughing-in Dimensions

## GENERAL DESCRIPTION:

Electronic faucet with proximity operation. Colored LED's signal temperature change mode. Vandal resistant solid brass construction single post mounting. Operates on AC permanent power. Water pressure range from 20 to 80 psi. In-line strainer for solenoid is integral. Single inlet 3/8" compression, built-in checks, and flexible stainless steel 15" reach inlet hose for spout connection.

## CODES AND STANDARDS:

These products meet or exceed the following coded standards:

ANSI A117.1

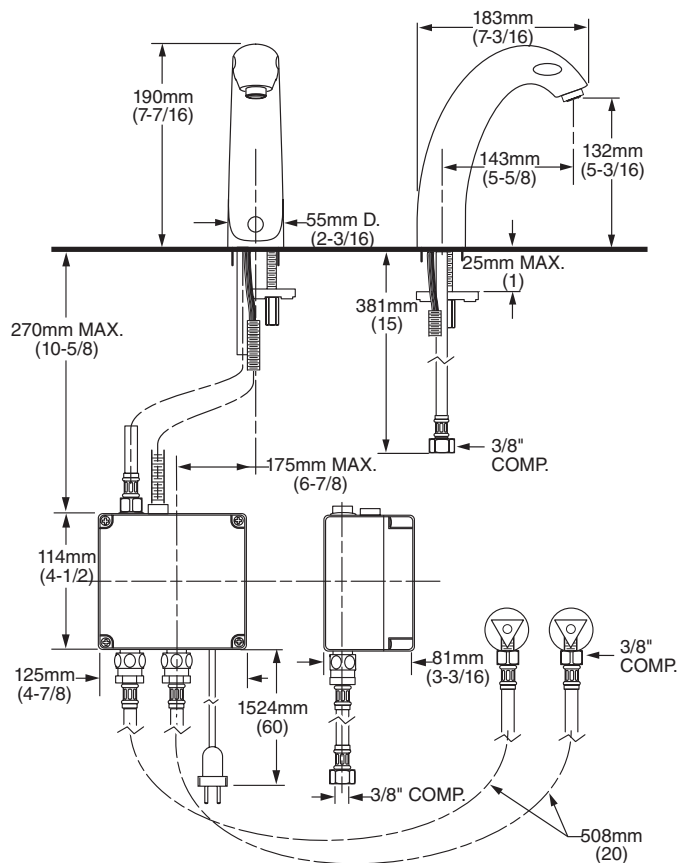
ASME A112.18.1



ADA Compliant

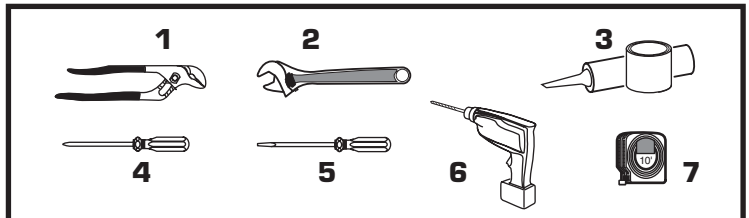
CSA B 125

NSF 61/Section 9



## TOOLS REQUIRED

- |                               |                                   |
|-------------------------------|-----------------------------------|
| 1 Channel Locks               | 5 Flat Blade Screwdriver          |
| 2 Adjustable Wrench           | 6 Electric Drill & 1/4" Drill Bit |
| 3 Plumbers' Putty or Caulking | 7 Tape Measure                    |
| 4 Phillips Screwdriver        |                                   |



## INSTALLATION

### 1 INSTALL SPOUT ASSEMBLY; Fig. 1

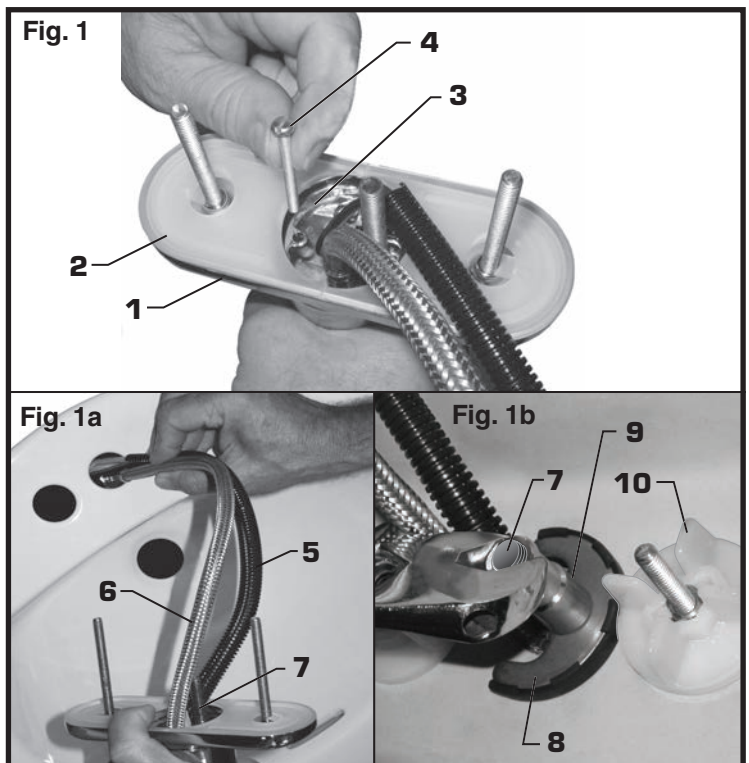
**CAUTION** Turn off hot and cold water supplies before beginning

1. (Optional) Assemble DECK PLATE (1) and PUTTY PLATE (2) to FAUCET BODY (3) with SCREW (4). Fig. 1.

2. Insert WIRES (5), FLEX HOSE (6) and SPOUT SHANK (7) through center hole of mounting surface. Fig. 1a.

3. Assemble "C" WASHER (8) and LOCKNUT (9) onto threads of SPOUT SHANK (7) from underside of mounting surface. Fig. 1b.

4. Align FAUCET (3) and tighten LOCKNUT (9). If using DECK PLATE (1) hand tighten DECK PLATE SPIN NUTS (10) to secure FAUCET (3) to mounting surface. Fig. 1b.



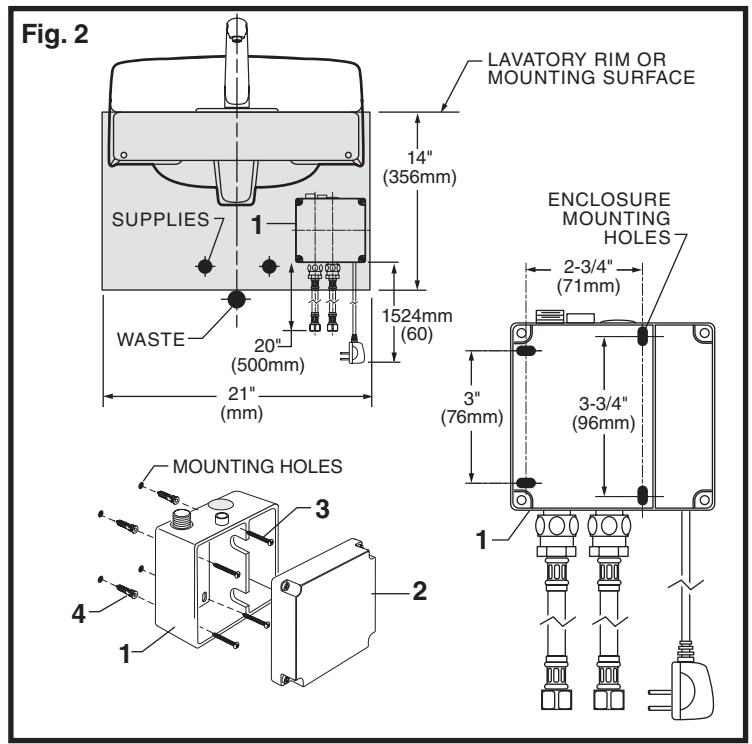
## 2 MOUNT ENCLOSURE; Fig. 2

1. Determine location of ENCLOSURE (1). It must be located with-in the 14" (356mm) by 21" (533mm) shaded area shown in Fig. 2 in order for electrical connections from the spout assembly to be made. **NOTE: ENCLOSURE SUPPLY HOSE is 20". Distance between wall supply and ENCLOSURE (1) must be taken into consideration.**

2. Remove 4 screws from COVER (2) and pull off COVER (2). Hold the ENCLOSURE (1) in desired location and mark the four mounting hole locations as shown. Fig. 2.

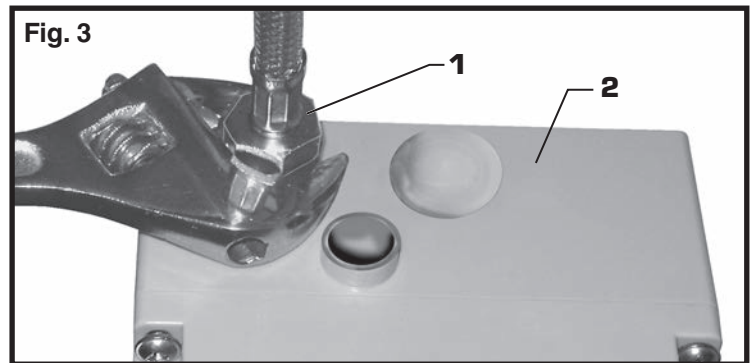
3. The ENCLOSURE (1) works best if secured to a wall stud or cross brace within the wall, using the SCREWS (3) supplied. If the ENCLOSURE (1) is to be installed on a tile or plaster wall the ANCHORS (4) and SCREWS (3) should be used.

4. For installations on drywall or tiled walls; use ANCHORS (4) and SCREWS (3) for securing ENCLOSURE (1) to finished wall. Drill four 1/4" dia. holes a minimum of 1-3/4" deep. Insert the four ANCHORS (4) flush with face of the finished wall. Align the ENCLOSURE (1) and Install the MOUNTING SCREWS (3). Tighten to secure ENCLOSURE (1) to mounting surface.



## 3 CONNECT SPOUT HOSE TO ENCLOSURE; Fig. 3

1. Connect SUPPLY NUT (1) from spout assembly to nipple on top of ENCLOSURE (2). Tighten with adjustable wrench to make a water tight connection. Fig. 3.



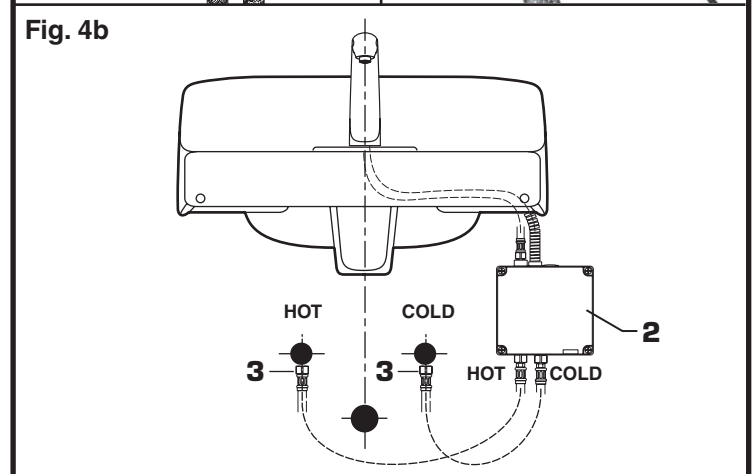
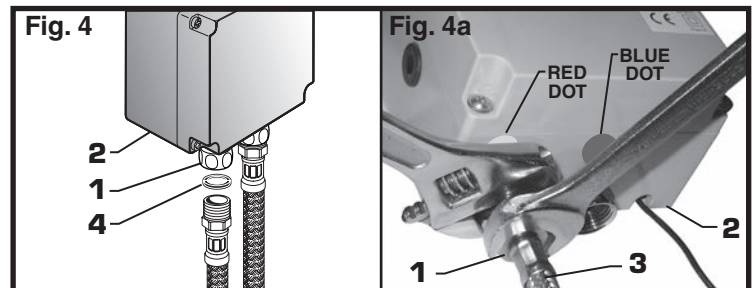
## 4 CONNECT HOSES TO WALL SUPPLY; Fig. 4

1. Insert FIBER WASHERS (4) into SUPPLY NUTS (1) on ENCLOSURE (2). Fig. 4.

2. Connect SUPPLY NUT (1) on ENCLOSURE (2) to FLEXIBLE SUPPLY HOSE (3). Tighten to make a water tight connection. Use two wrenches if necessary. Fig. 4a.

3. Connect FLEXIBLE SUPPLIES (3) corresponding to the red dot on ENCLOSURE (2) to the hot water supply, and the FLEXIBLE HOSE (3) corresponding to the blue dot to cold water supply. Connection on FLEXIBLE SUPPLIES (3) are 3/8" compression. Use adjustable wrench to tighten connection. Do not over tighten. FIG. 4b.

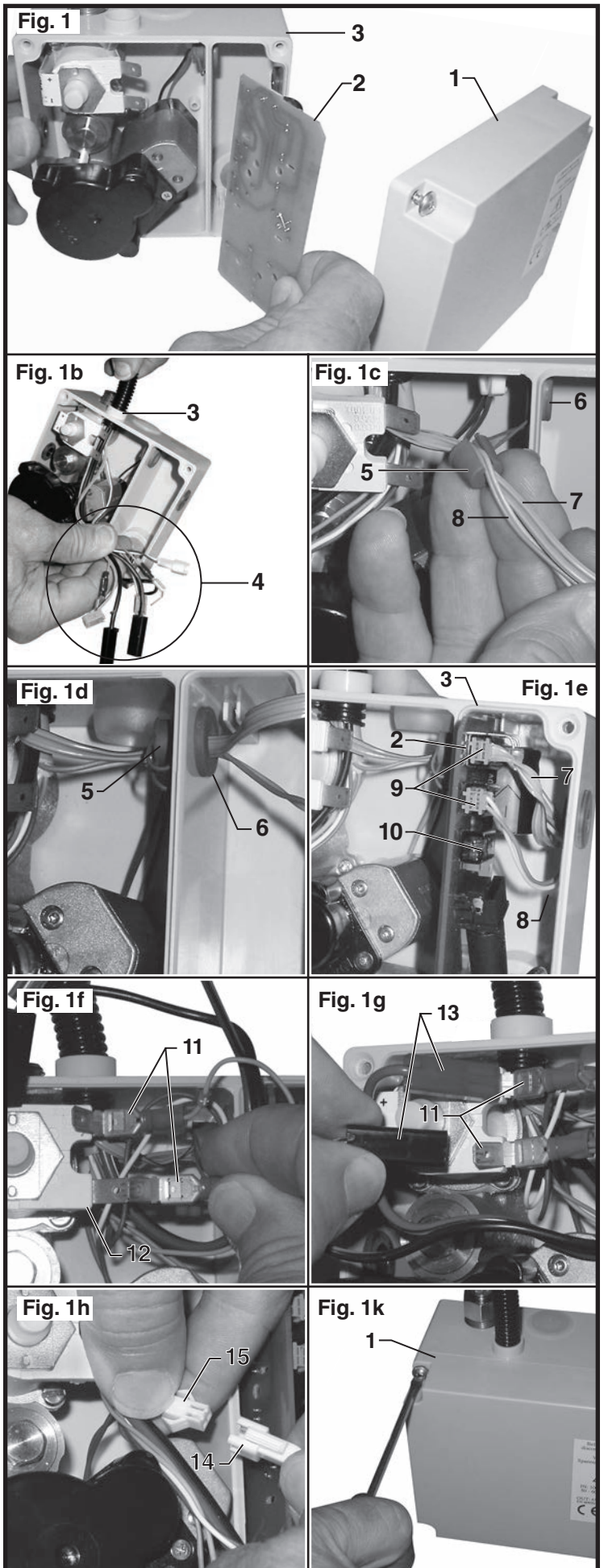
**Note:** FLEXIBLE SUPPLY (3) measures 20" from the bottom of the ENCLOSURE (2) base. If additional supply length is required, installer must purchase parts separately. **Important:** If FLEXIBLE SUPPLIES (3) are too long, loop to avoid kinking.



# ELECTRICAL INSTALLATION

## 1 ELECTRICAL

1. Remove ENCLOSURE COVER (1). **Fig. 1.**
2. Remove CIRCUIT BOARD (2) from ENCLOSURE (3). (May have to pull cord of power supply through). **Fig. 1.**
3. Feed the WIRE CONNECTORS (4) through the top of ENCLOSURE (3). **Fig. 1b.**
4. Remove SPLIT PLUG (5) from GROMMET (6). Insert the gray SENSOR WIRE (7) and YELLOW and GREEN CONNECTOR WIRES (8) into SPLIT PLUG (5). Leave 4" of wire from end of SPLIT PLUG (5). **Fig. 1c.** Feed WIRES (7 & 8) through GROMMET (6). Push SPLIT PLUG (5) into GROMMET (6) to seal. **Fig. 1d.**
5. Reinstall CIRCUIT BOARD (2) into ENCLOSURE (3) with WIRES (7 & 8) under CIRCUIT BOARD (2). Insert two WIRE CONNECTORS (9) into any of the three CIRCUIT BOARD RECEPTORS (10). **Fig. 1e.**
6. Connect WIRE PLUGS (11) to SOLENIOD VALVE (12). (Red to +, Blue to -). **Fig. 1f.**
7. Connect SENSOR WIRE CONNECTIONS (13) to WIRE PLUGS (11). Red to +, Black to -. **Fig. 1g.**
8. Connect WHITE PLASTIC CONNECTOR (14) from the faucet to the MOTOR CONNECTOR (15). **Fig. 1h.**
9. Replace ENCLOSURE COVER (1). Tighten cover screws firmly. **Fig. 1k.**



# OPERATION

## 1 HAND WASH SENSOR OPERATION; Fig. 1

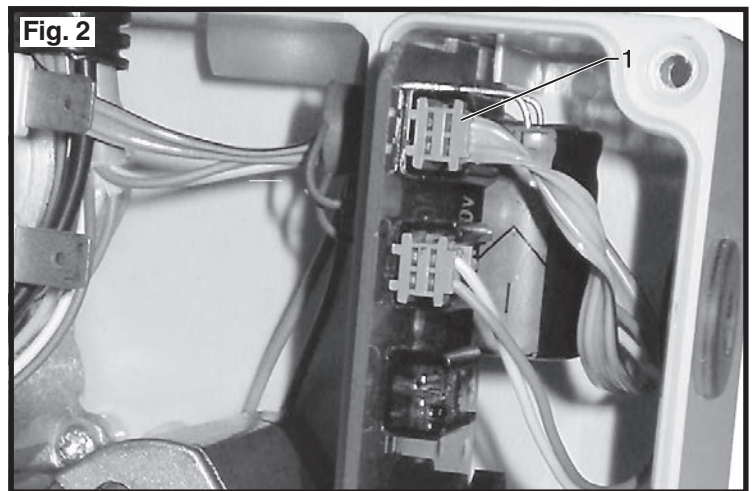
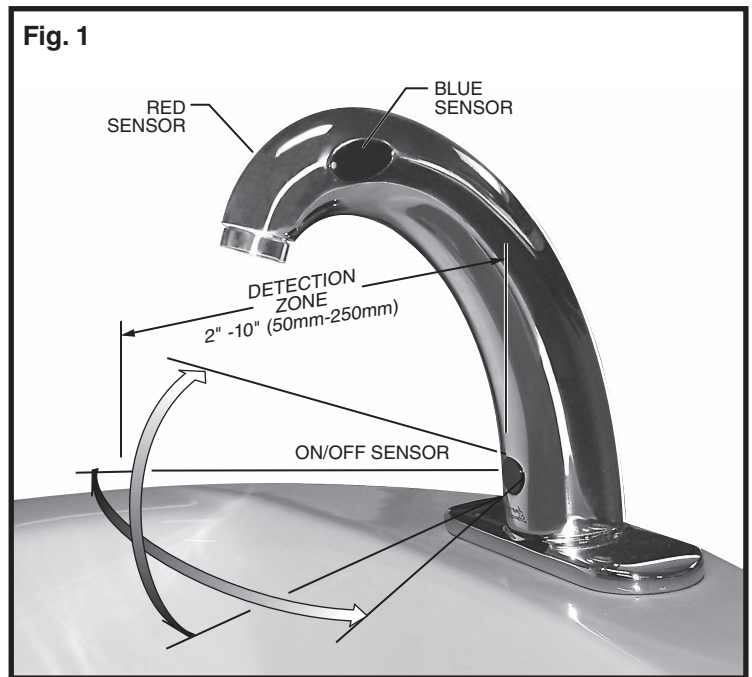
When the Sensor detects a user, the water immediately starts to flow. Water flow will stop Two seconds after user is out of sensor range. The off delay allows the user to comfortably move his hands without the flow cycling on to off. As a precaution, a safety timer will turn off the water, after the sensor has been blocked for 59 seconds. The water will stay off until the blockage is removed from the detection zone. Output water temperature has a default setting. See Section 3 for "How to Set Default Temperature." To change the output water temperature place one hand within the On/Off Sensor range to activate faucet, then place other hand within the Blue Sensor to decrease water temperature, or the Red Sensor to increase water temperature. Blue or Red LED will light up when hand is within the sensor range. The Blue and Red sensor ranges cannot be adjusted.

**Note: If On/Off Sensor is not activated within 15 seconds of temperature adjustment, then the faucet will adjust back to the default temperature settings.**

**Detection Zone: 2" - 10" (50mm - 250mm)**  
**Default: Set at Factory 6" (150mm)**

## 2 HOW TO CHANGE ON/OFF SENSOR RANGE; (Factory set at 6") Fig. 2a, 2b

1. Setting the Detection Zone (Distance):  
Remove cover from ENCLOSURE. Disconnect GRAY SENSOR WIRE (1) from circuit board, then reconnect. Fig. 2.
2. While the SENSOR CONTROL LED (2) is blinking slowly, place your hand 1 - 2 in. (30-50mm) in front of the sensor. Fig. 2a.
3. When the LED stops blinking and stays "ON", move your hand to the desired position and hold in place until the LED begins to blink again. Fig. 2b.
4. Once the SENSOR CONTROL LED (2) begins to blink again, remove your hand from the detection zone. When the flashing stops, the detection distance is set.
5. Replace cover on ENCLOSURE.



### 3 HOW TO SET DEFAULT TEMPERATURE Fig. 3

Note: The factory setting of the Default Temperature is at a position of even amounts of hot and cold water flows. This setting can only be changed within the first 15 minutes of switching on the power.

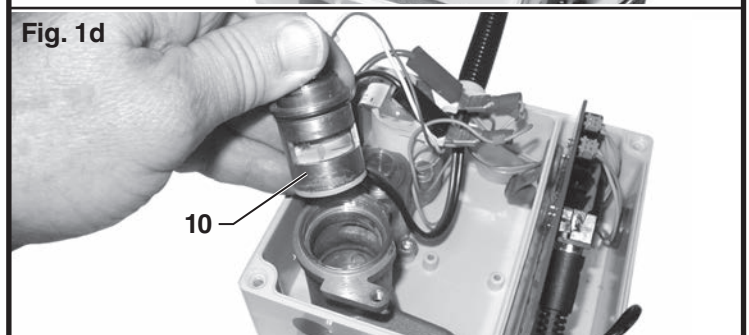
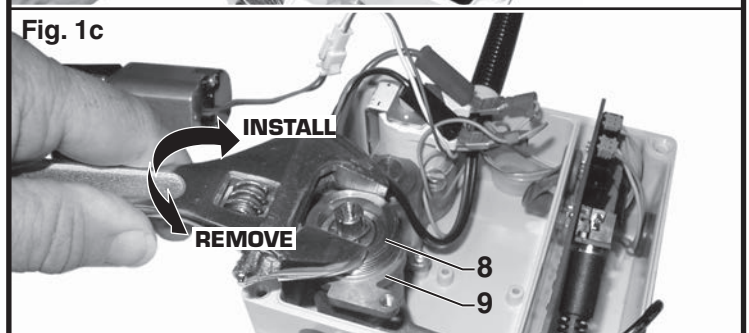
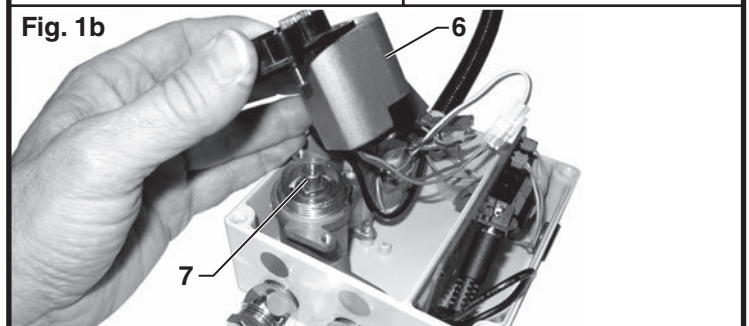
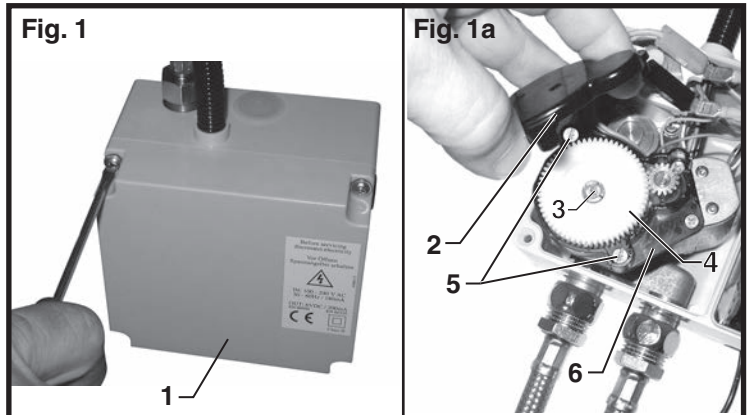
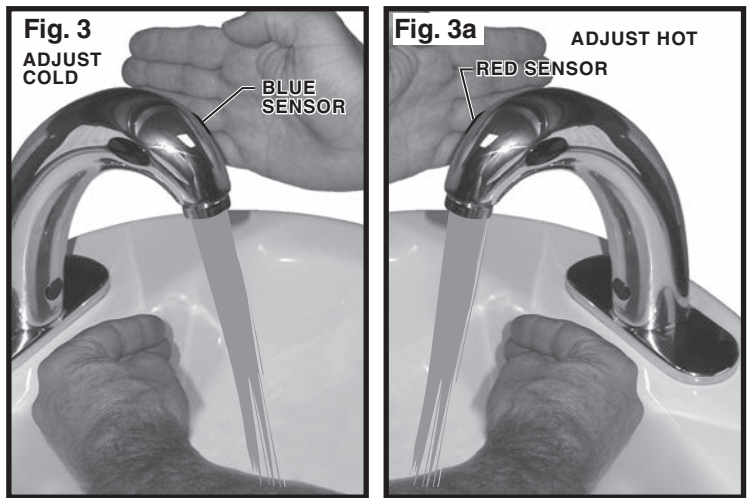
1. Remove the power to the faucet by unplugging the Power Supply from the wall outlet. Wait 60 seconds, and then plug the Power Supply Back into the wall outlet.
2. Place hand in front of Blue (Cold) Sensor until the Blue LED lights up. **Fig. 3.**
3. Within the next 5 seconds, start the faucet water flow by placing hand within the On/Off Sensor range. **Fig. 3.**
4. Adjust the output faucet temperature by using the Red (Hot) Sensor to increase, or Blue (Cold) Sensor to decrease. During this process always keep your hand within The On/Off Sensor range in order to feel the change water temperature. **Fig. 3, Fig. 3a.**
5. Once desired temperature has been set, remove hands away from the range of sensors. Water flow will stop and both Red and Blue sensors will light-up for 2 seconds indicating the default temperature has been set.
6. The Default Temperature has been set. This will remain the default setting until the setting is changed again. If power is lost, this will remain the default setting.

**Note: The Default Setting is actually a mechanical positioning of a mixing valve. Changes in the supply temperatures will create changes to the Default Temperature.**

## MAINTENANCE

### 1 HOW TO REMOVE MIXING VALVE Fig. 1

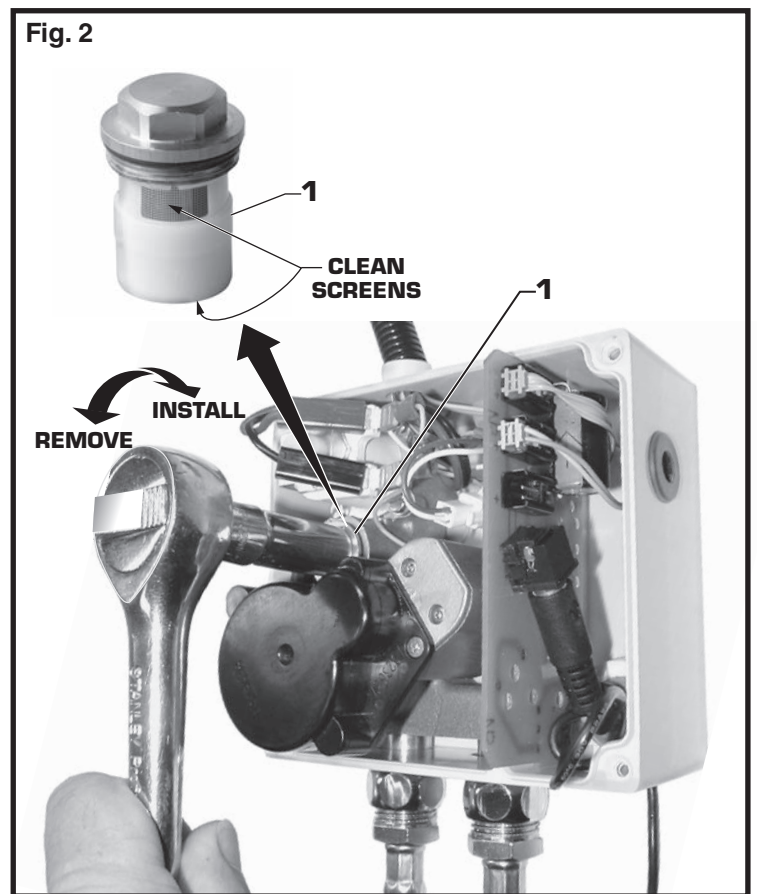
1. Remove four screws and pull off ENCLOSURE COVER (1). **Fig. 1.**
2. Remove MOTOR GEAR COVER (2) by pulling off or pry off with a flat-blade screw driver. **Fig. 1a.**
3. Remove SCREW (3) from the center of the LARGE GEAR (4) and two SCREWS (5) from the MOTOR HOUSING (6). **Fig. 1a.**
4. Pull of MOTOR HOUSING (6) with LARGE GEAR (4) from the MIXING VALVE STEM (7). **Fig. 1b.**
5. Remove LOCKNUT (8) from the MIXING VALVE HOUSING (9) using adjustable wrench. **Fig. 1c.**
6. Pull out MIXING VALVE (10). Use pliers if necessary. **Fig. 1d.**
7. Reverse above steps for assembly.



## 2 HOW TO CLEAN FILTER; Fig. 2

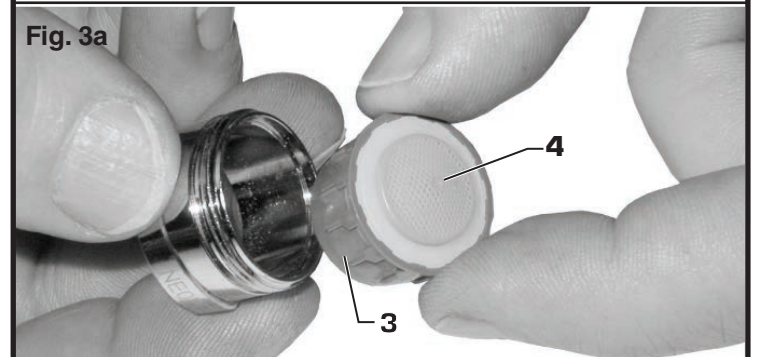
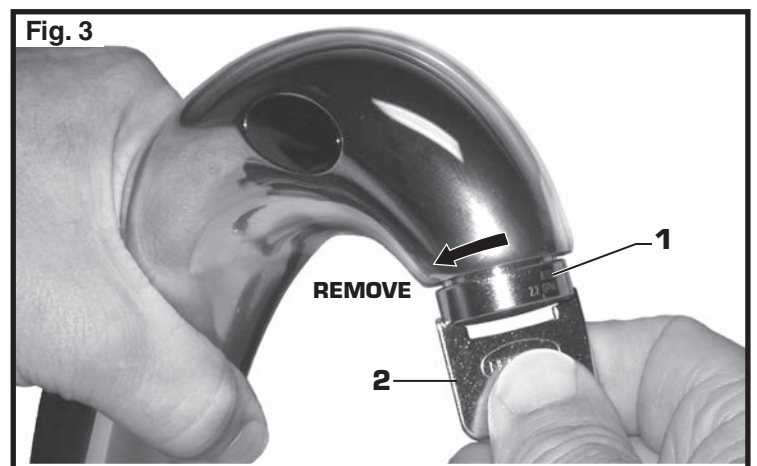
**CAUTION** Before opening ENCLOSURE disconnect AC power supply.

1. Remove ENCLOSURE COVER.
2. Close SUPPLY STOPS.  
Note: Keep water flowing out of faucet while shutting off.
4. Unthread STRAINER (1) using a 7/16" socket.
5. Pull out the STRAINER (1) and clean with an old toothbrush. Rinse thoroughly with water.
6. Install the STRAINER (1) back in its place and tighten with a 7/16" socket.  
**Caution: do not over tighten strainer.**  
**Note: It is recommended to clean strainer every 6 months.**
7. Replace ENCLOSURE COVER. Tighten cover screws firmly.



## 3 HOW TO CLEAN AND REMOVE THE AERATOR; Fig. 3

1. Remove AERATOR HOUSING (1) with KEY (2) supplied with faucet.
3. Remove AERATOR (3) from HOUSING (1). Fig. 3a.
2. Clean the AERATOR SCREENS (4) with a old tooth brush to remove dirt.
4. Rinse Clean with water. Reassemble and install into spout end. Be sure the black seal washer is in place.





## 4 GENERAL CLEANING; Fig. 4

1. For general cleaning use a damp, soft cloth to clean the spout and the sensor.
2. For cleaning dirt use a soft cloth with diluted dish washing detergent. Wipe the area using a wet cloth and dry using a soft cloth.

### CAUTION

**Do not scratch the sensor when cleaning.**

**Avoid using anything that may scratch the spout surface.** Never use polishing power, detergent or a nylon scrub brush. They will damage the surface of the spout or Sensor.



## FAQ'S

**Q:** Why has the flow rate of the faucet reduced significantly?

**A:** Check and clean aerator and strainer.

**Q:** Why do I here humming noise from under the deck after faucet is turned off?

**A:** The humming noise is the temperature control motor. The faucet has a default temperature setting, which is controlled by the motor which rotates a cycling cartridge. If you have adjusted the temperature during faucet use, then after 15 second delay, the motor will rotate the cartridge back to the default temperature setting.

**Q:** Why does the faucet operate the opposite of expected-Turns On when not in sensor range, but turns off when in sensor range?

**A:** Sensor wires to solenoid are reversed. Black to - & Red to + is correct.

**Q:** What is the operating pressure range?

**A:** Faucet will operate with supply pressures ranging from 20-80 psi.

**Q:** There is no flow out of faucet when I'm in sensor range?

**A:** Open enclosure cover and verify that all electrical connections are tight, specifically the Red & Black sensor wire connectors to the wire plugs.

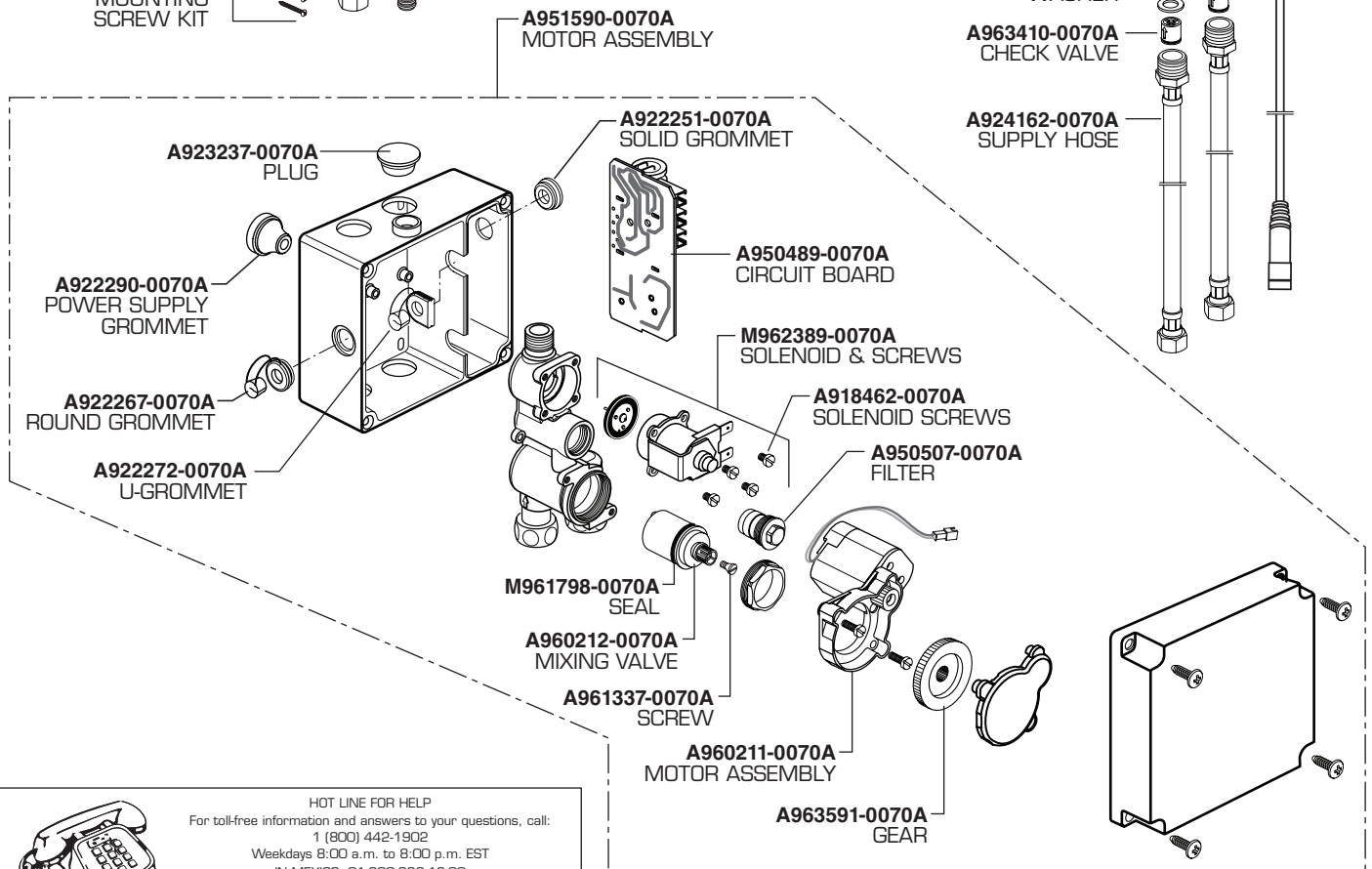
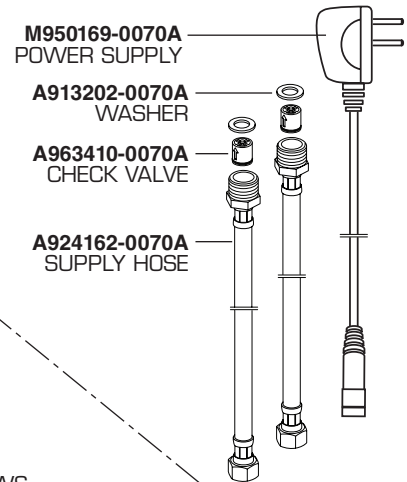
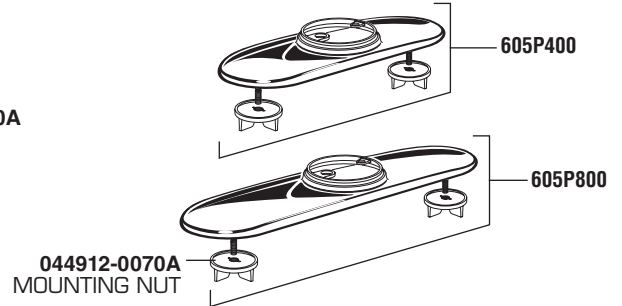
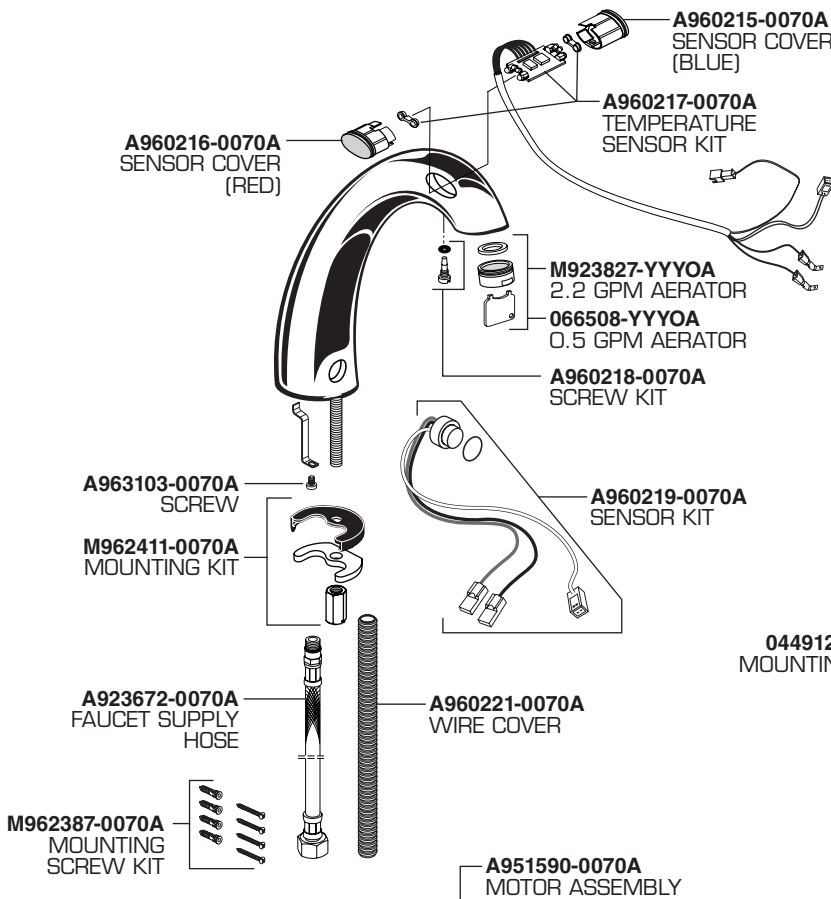
## CERATRONIC LAVATORY FAUCETS

### PRODUCT NUMBERS

**6058.105**  
**6058.102**

Replace the "YYY" with appropriate finish code

CHROME 002



HOT LINE FOR HELP  
For toll-free information and answers to your questions, call:  
1 (800) 442-1902  
Weekdays 8:00 a.m. to 8:00 p.m. EST  
IN MEXICO 01-800-839-1200  
IN CANADA 1-800-387-0369 (TORONTO 1-905-306-1093)  
Weekdays 8:00 a.m. to 7:00 p.m. EST

Product names listed herein are trademarks of American Standard Inc.  
© American Standard Inc. 2006

*American Standard*