

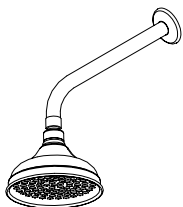


Belle Forêt
collection

N550 SHOWER FAUCET

Product Features

- Single handle pressure balance
- 2.5 GPM @ 80PSI max. flow rate
- 6" diameter brass showerhead
- 12" right angle shower arm
- 1/2" IPS and 5/8" CTS inlet
- Drip free washerless cartridge
- Screwdriver stops
- Adjustable High-temperature limit stop

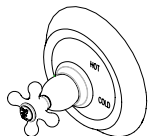


N550 01

Handle:

N550 01 Metal lever handle

N550 02 Metal cross handle



N550 02

Standards/Approvals

N550 meets or exceeds:

ANSI/ASME A112.18.1

IAPMO/UPC

Massachusetts

N550 01 meets ADA requirements

UPC®

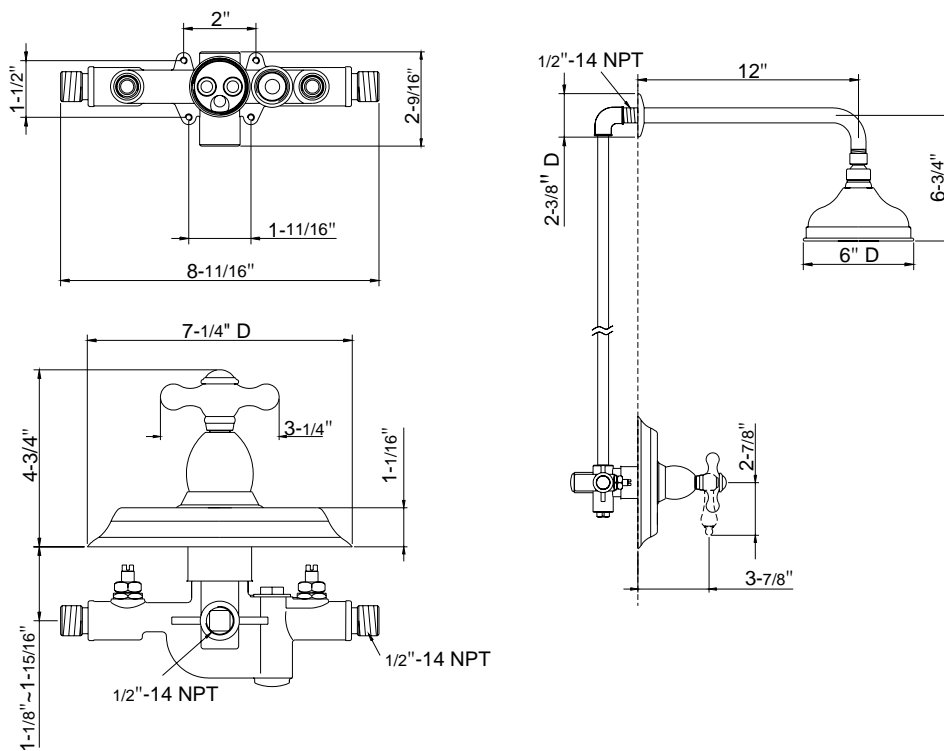
PRODUCT SPECIFICATION:

Single handle pressure balance faucet shall have a brass body, washerless cartridge, metal lever or metal cross handle. Product shall be Belle Forêt model N550 _____.



Belle Forêt
collection

N550 SHOWER FAUCET



Available Finishes

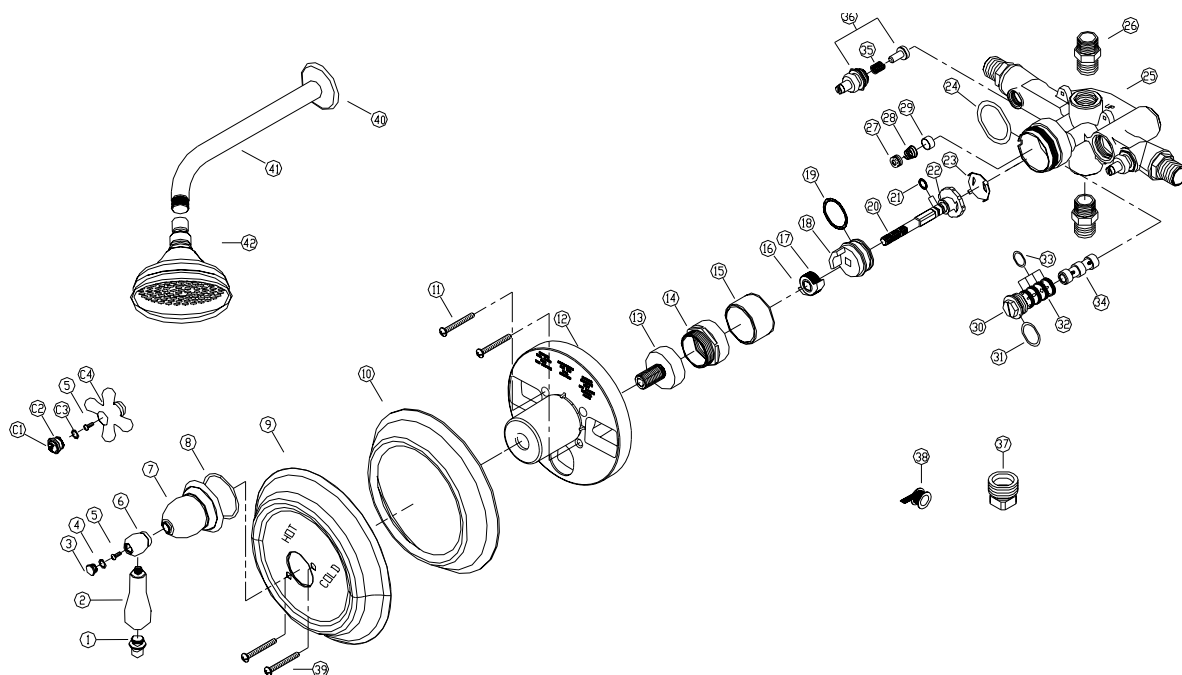
- Chrome
- Polished Brass
- Satin Nickel
- Oil Rubbed Bronze
- Matte Nickel
- Weathered Copper



Belle Forêt
collection

N550 SHOWER FAUCET

PARTS BREAKDOWN





Belle Forêt
collection

N550 SHOWER FAUCET

PARTS LISTING

No	Name	Kit / Part #	Q'ty	No	Name	Kit / Part #	Q'ty	
1	Knob	N/A	1	16	Temperature limit gear	663984	1	
2	Lever handle		1	17	Temperature limit gear		1	
3	Index	663292xx	1	18	Temperature limit stop		1	
4	O-RING		1	19	O-ring		1	
5	Screw		1	20	Cartridge		1	
6	Handle hub	N/A	1	21	O-ring		2	
C1	Porcelain index	663980xx	1	22	Washer		1	
C2	Cap		1	23	Plate		1	
C3	O-ring		1	24	O-ring		1	
5	Screw		1	27	Seat		2	
C4	Cross handle	N/A	1	28	Spring	2		
7	Canopy		1	29	Plate	2		
8	O-ring		1	25	Body assembly	N/A	1	
9	Escutcheon		1	26	Connector		2	
10	Seal		N/A	1	30	Pressure balance device	507041	1
11	Screw			2	31			1
12	Plaster guard			1	32			1
13	Stem sleeve			1	33			4
14	Retainer nut			1	34			1
15	Sleeve			1	35	Check valve	663987	2
16	Temperature limit gear	663983	1	36		2		
17	Temperature limit gear		1	37	Plug	N/A	1	
				38	Pipe tape		1	
				39	Screw	668209xx	2	
				40	Shower flange	019001xx	1	
				41	Shower arm	020015xx	1	
				42	Showerhead	S1110610xx	1	

xx designates finish matched parts.